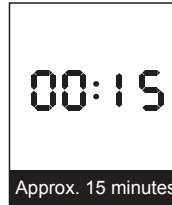


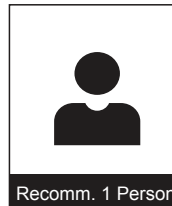
**WARNING:**  
 >This unit has been designed to support the maximum loads shown. Exceeding these load limits could cause sagging, instability, product collapse, or serious injury.  
 >DO NOT allow children to climb on unit.

## Assembly Instruction

End Table



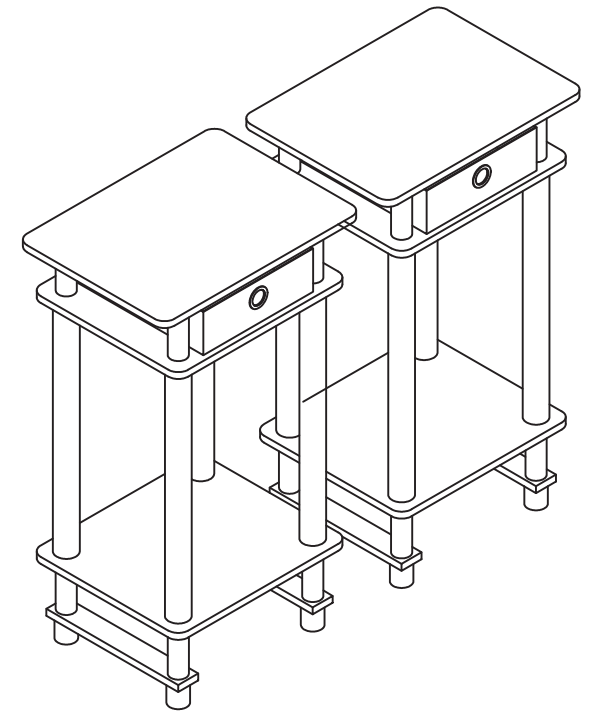
Approx. 15 minutes

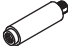








Recomm. 1 Person

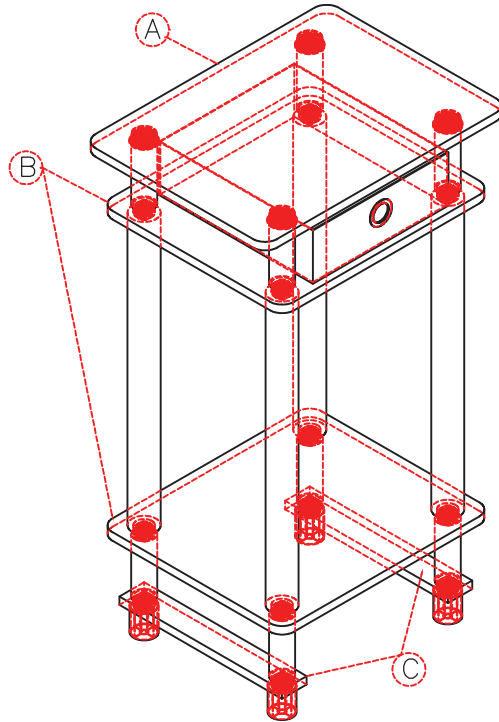


No Tools Required



No	Hardware List	Qty
1	Extra Short Pole 	16pcs
2	Extra Long Pole 	8pcs
3	Round Leg 	8pcs
4	Non Woven Bin 	2pcs

No	Parts List	Qty
A	Top Panel 	2pcs
B	Shelf / Bottom Panel 	4pcs
C	Apron Panel 	4pcs



**USEFUL HINTS BEFORE YOU START:**

1. Read each step carefully before starting.
2. It is important that each step is performed in correct order to avoid difficulties.
3. Identify, sort and count the parts before assembly.
4. Assemble your furniture on packaging cardboard to prevent scratch or damage.
5. Clean the product with mild cleanser using soft damped cloth. Do not use harsh or abrasive cleanser.
6. Using incompatible hardware might cause damage to product.

