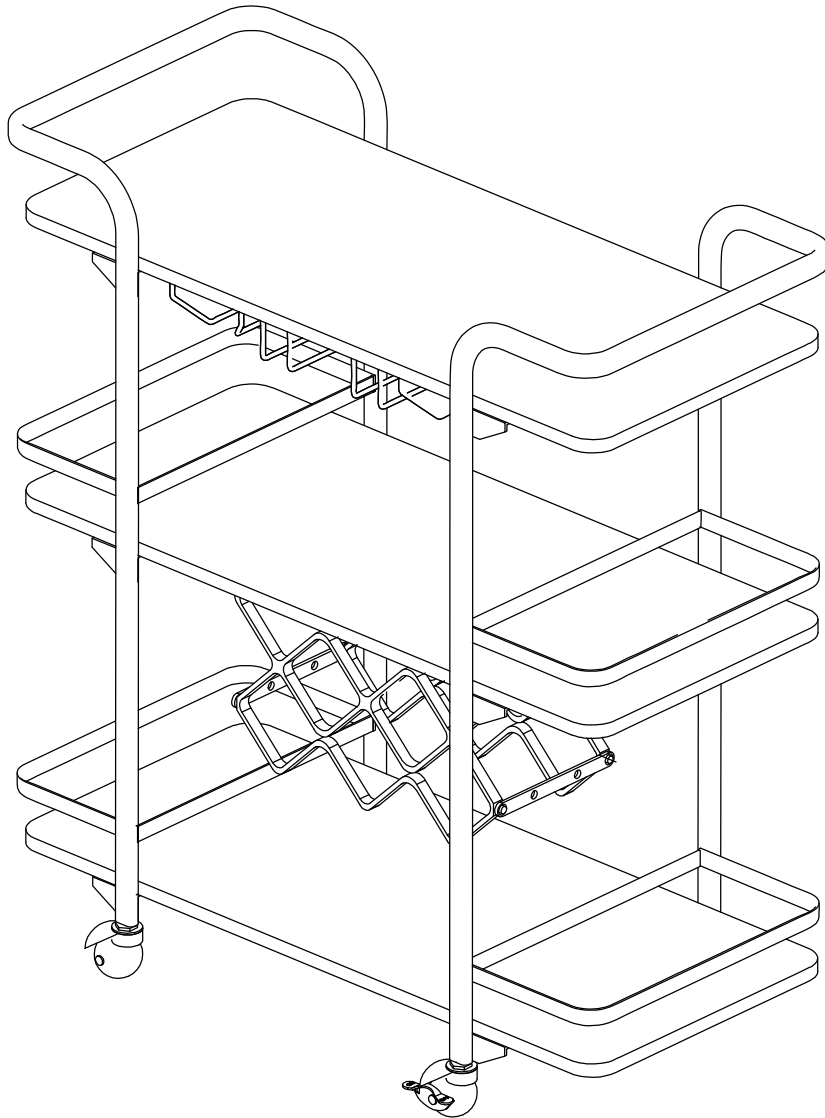


ASSEMBLY INSTRUCTION

MODEL#WC006

Thank you for purchasing the quality product. Be sure to check all packing material carefully for small parts which may have come loose inside the carton during shipment. Separate, identify and count all parts and metal hardware. Compare with all parts list to be sure all parts are present. If any part(s) are missing or damaged, please contact your local furniture dealer. For efficient and speedy service, please indicate the model number and code letter of part(s) needed.

*****Do not fully tighten screws until fully assembled*****

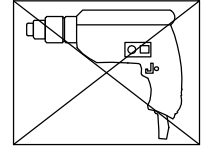


Attention:

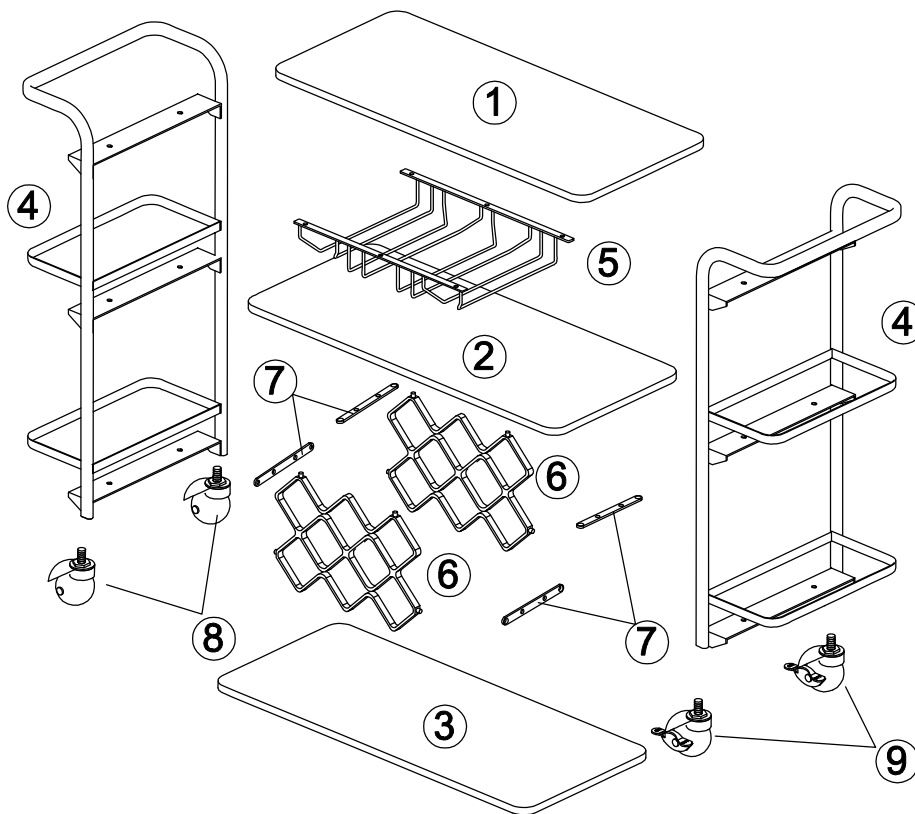
*****Some number parts listed on the instruction sheet may not be in parts bag as they may already be assembled. Carefully check parts and packing materials prior to ordering replacements.**

General Assembly Guidelines





- I. Ensure that all parts and hardware are available before beginning assembly.
- II. Follow each step carefully to ensure the proper assembly of this product.
- III. Two people are recommended for ease in the assembly of this product.
- IV. Power tools should not be used to assemble this product.





COMPONENT PARTS

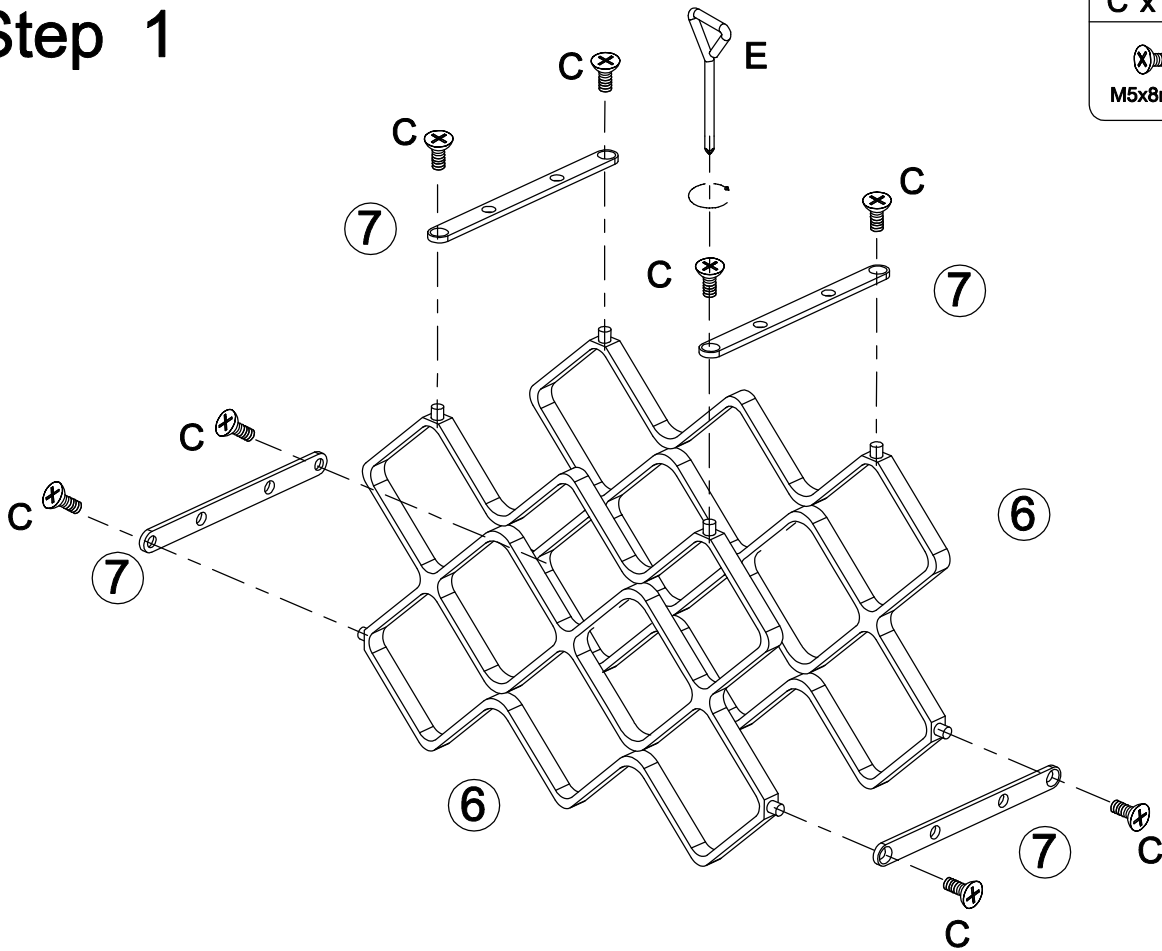


Hardware List

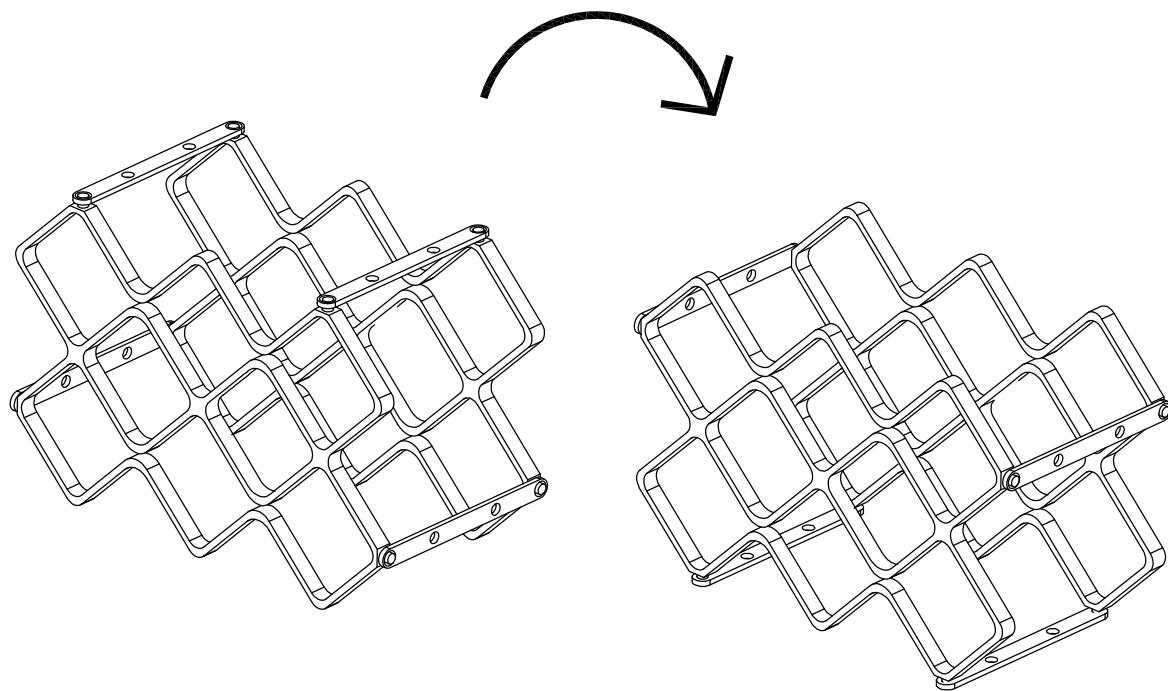
A		M6x12mm	Bolt	22	pcs
B		M4mm	Allen Key	1	pcs
C		M5x8mm	Bolt	8	pcs
D		M14mm	Wrench	1	pcs
E		Philips head screwdriver		1	pcs

Step 1



C x 8	E x 1
 M5x8mm	

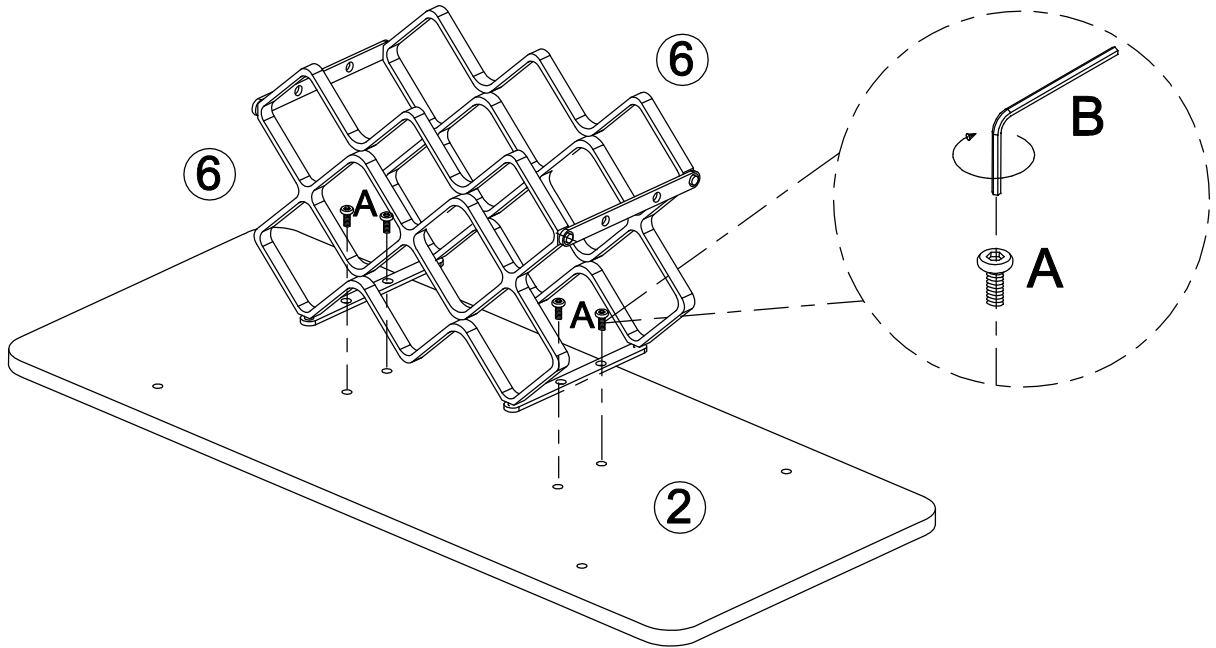


Step 2





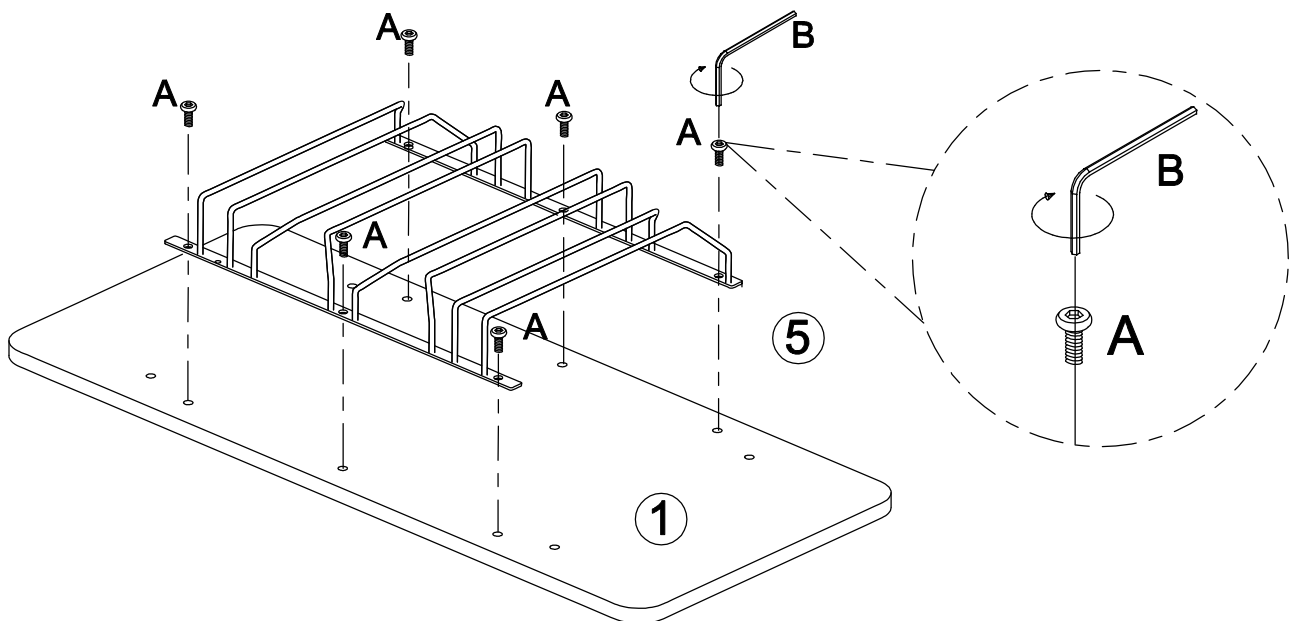
Step 3

A x 4	B x 1
	
M6x12mm	4mm



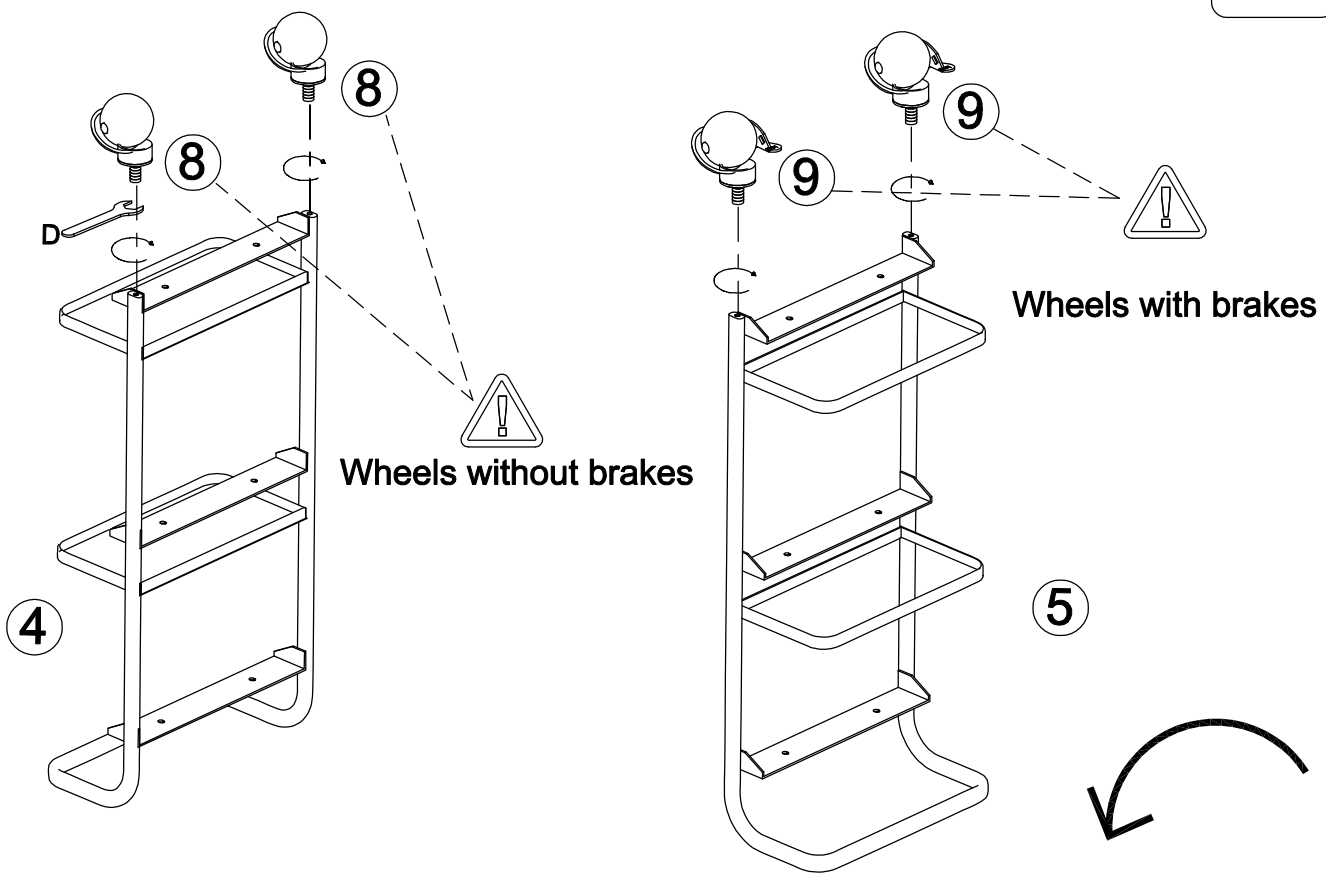
Step 4

A x 6	B x 1
	
M6x12mm	4mm

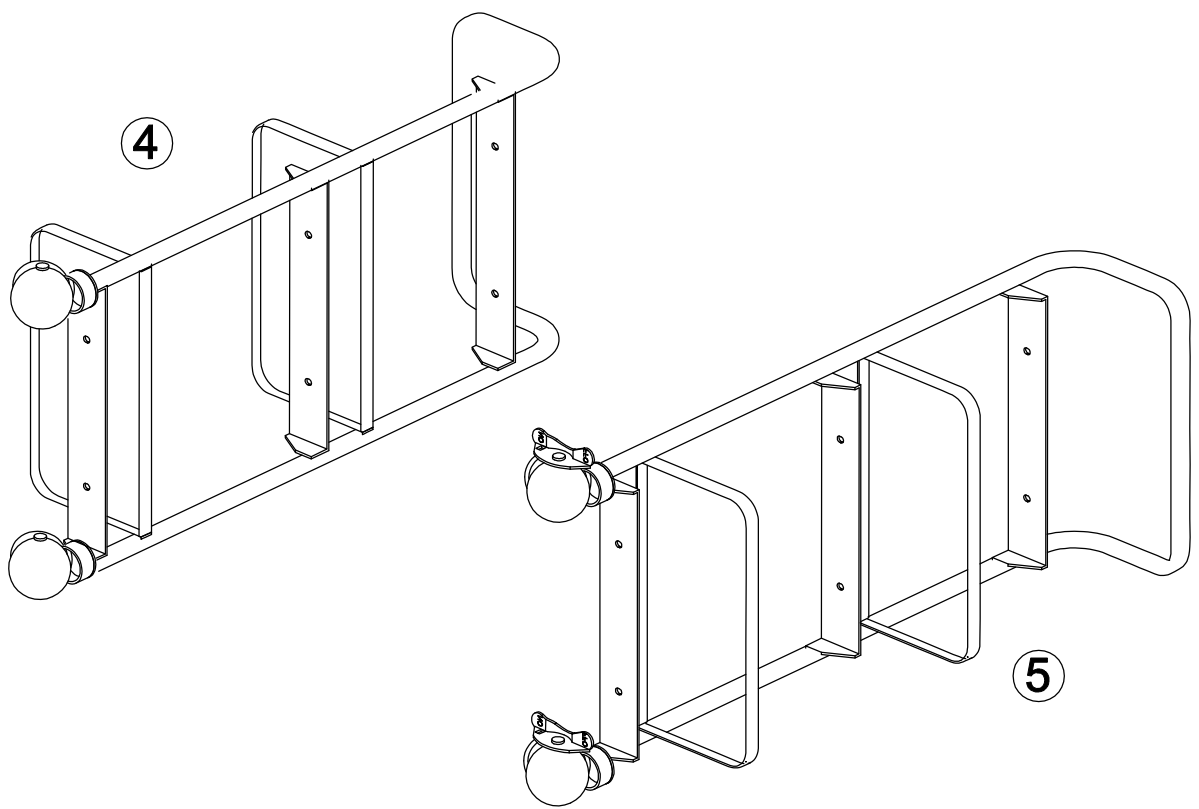


Step 5

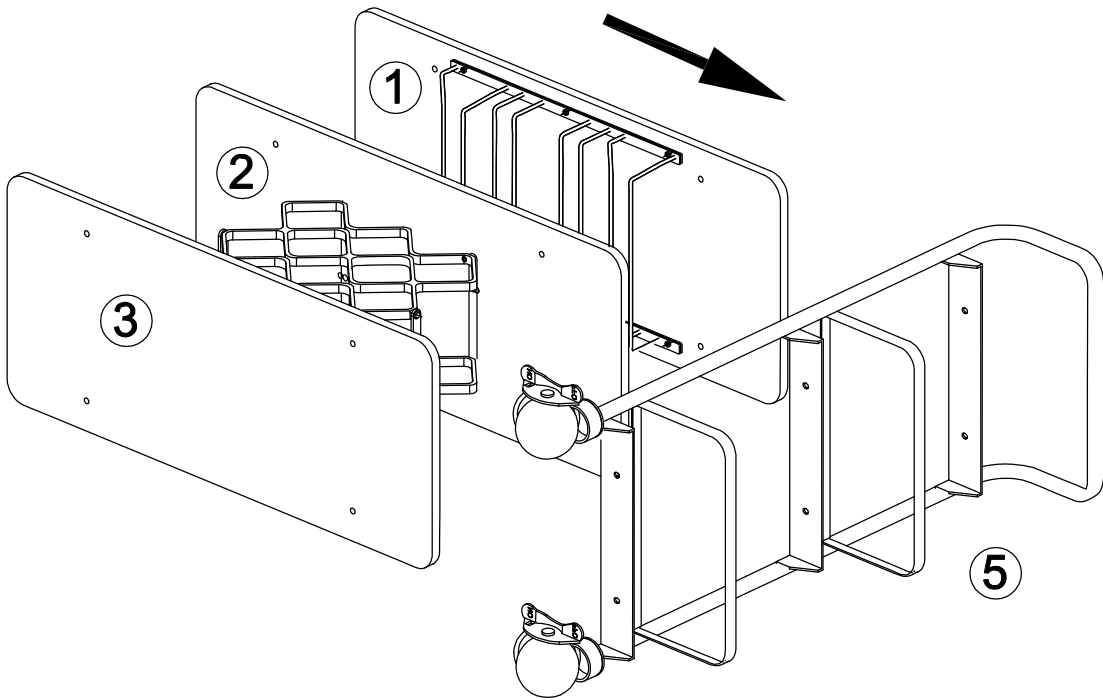
D x 1
M14mm





Step 6

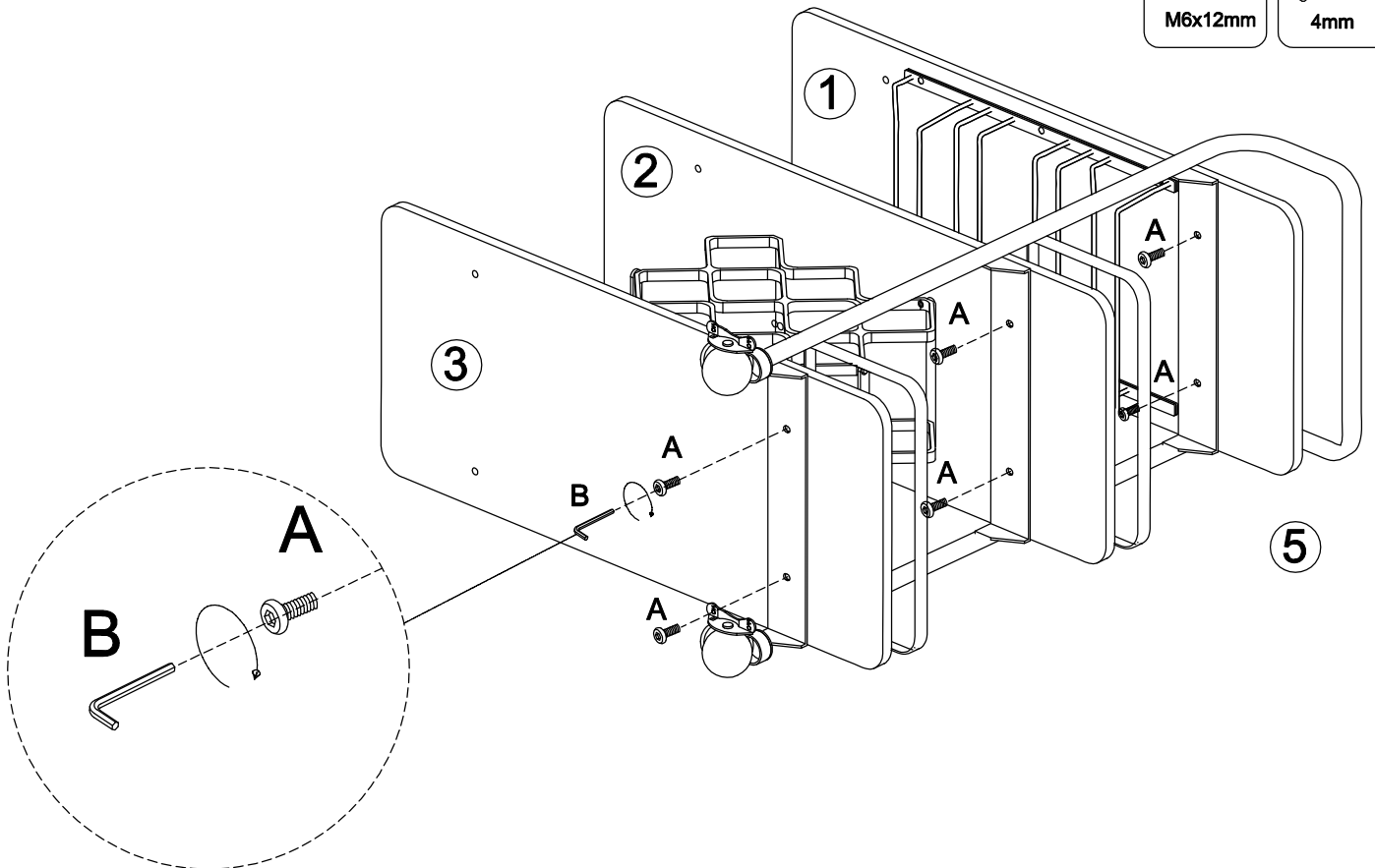


Step 7

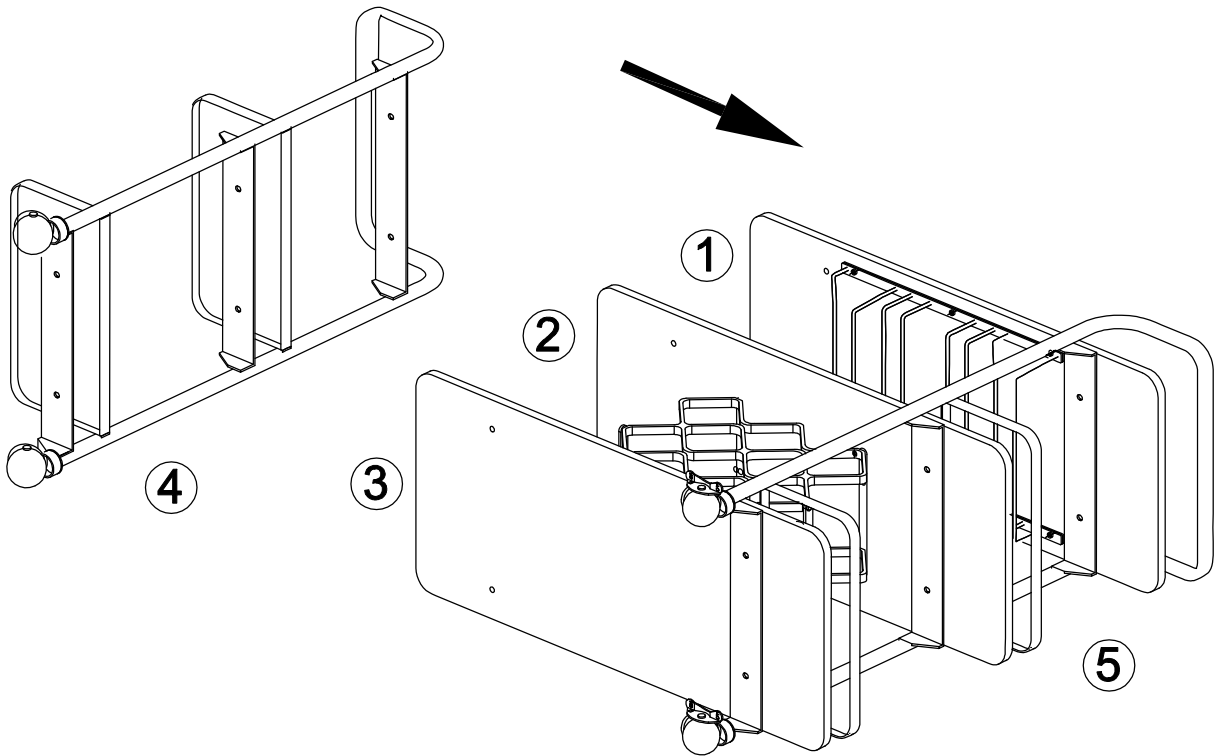


Step 8



A x 6	B x 1
	
M6x12mm	4mm

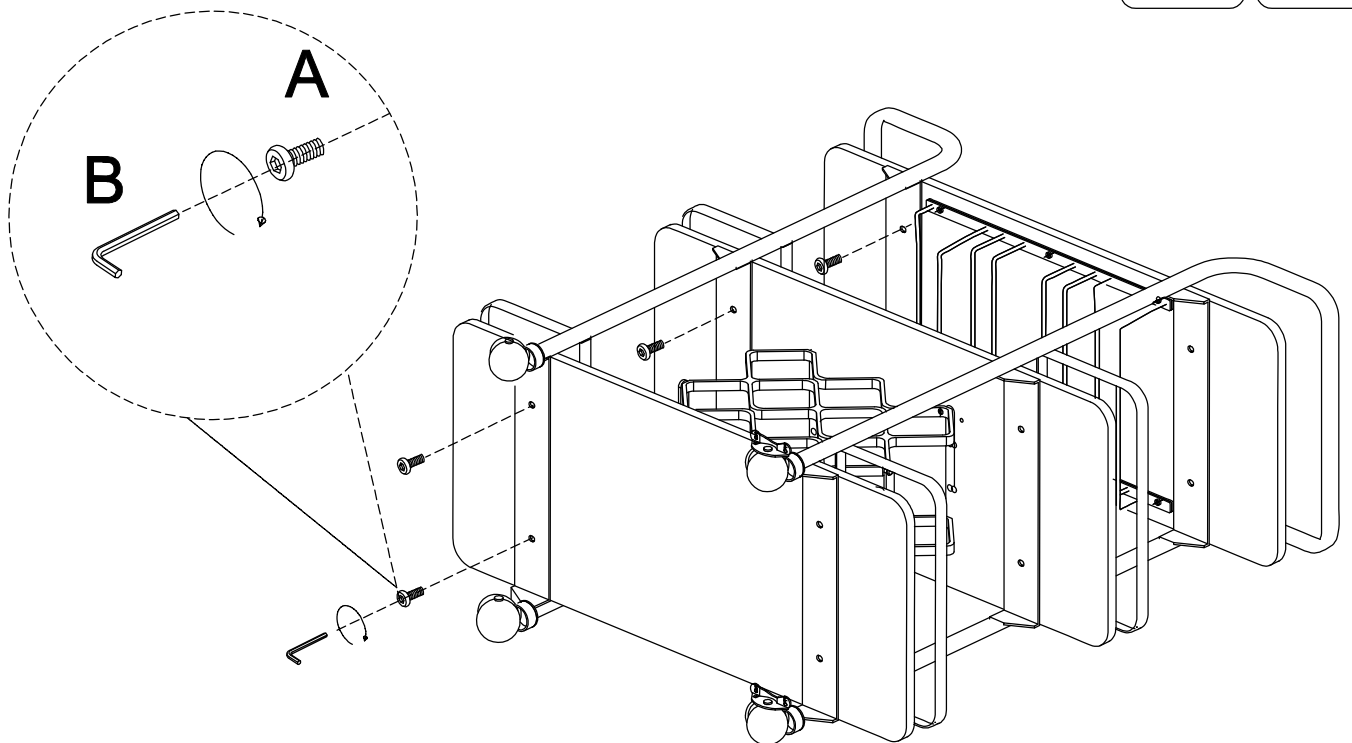


Step 9



Step 10

A x 6	B x 1
	
M6x12mm	4mm

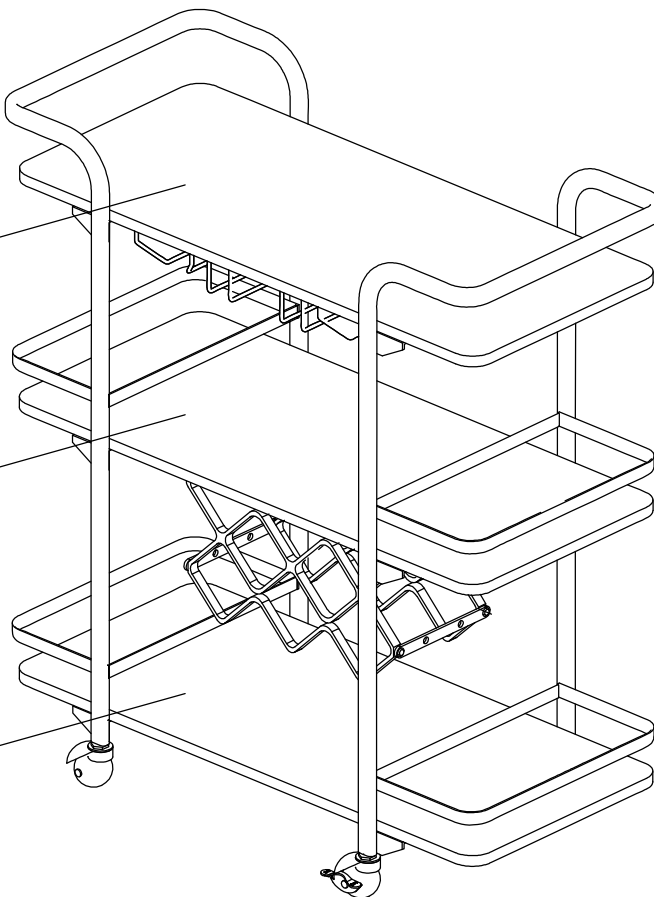


Step 11

MAX Weight 33LBS

MAX Weight 33LBS

MAX Weight 33LBS



Step 12

