

# Assembly Instructions

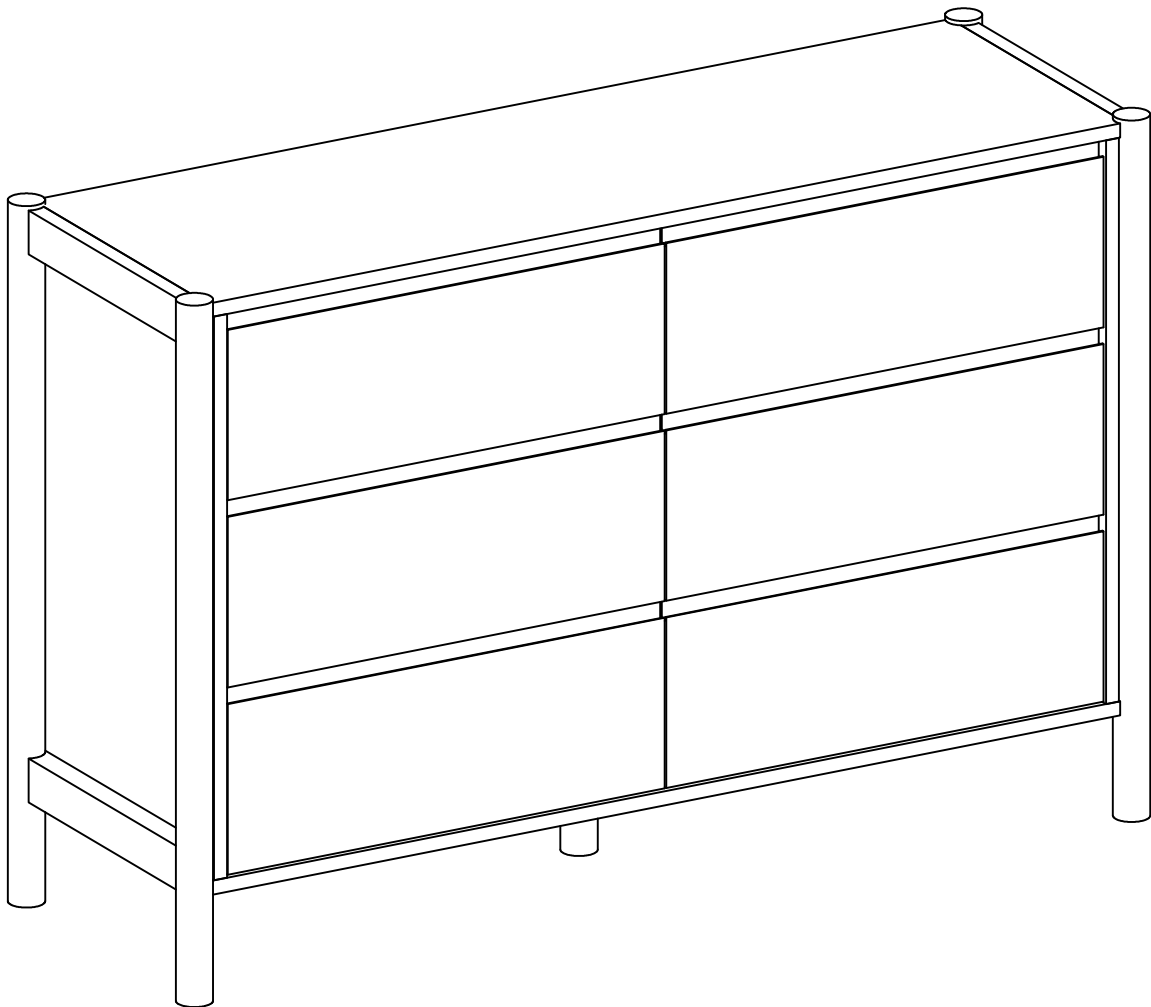
ITEM NO. WF 307172

DRESSER

Thank you for purchasing this quality product. Be sure to check all packing materials carefully for small parts, which may have come loose inside the carton during shipment. Identify and count all items and compare with the PARTS LIST and/or HARDWARE LIST shown below.

**Caution:** Please read the instructions thoroughly before assembly.

1. We recommend that you assemble this product with the assistance of another person; this will make the assembly easier, and will help eliminate damage to the product or injury to persons during assembly.
2. Please do not over tighten screws or bolts until the assembly is completed.
3. Please put all parts on a non-abrasive floor before assembly, and follow the assembly steps to assemble your newly purchased product correctly and efficiently.

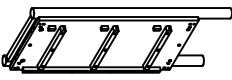
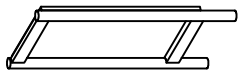


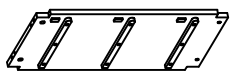
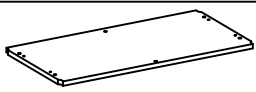
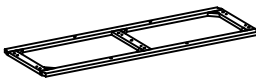
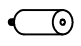


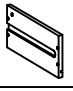
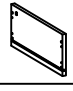





# Assembly Instructions

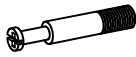


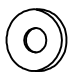





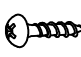
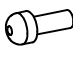
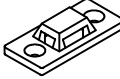
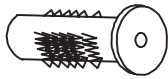
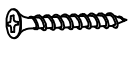
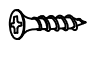
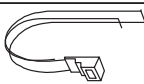
ITEM NO. WF 307172

DRESSER

## PARTS LIST

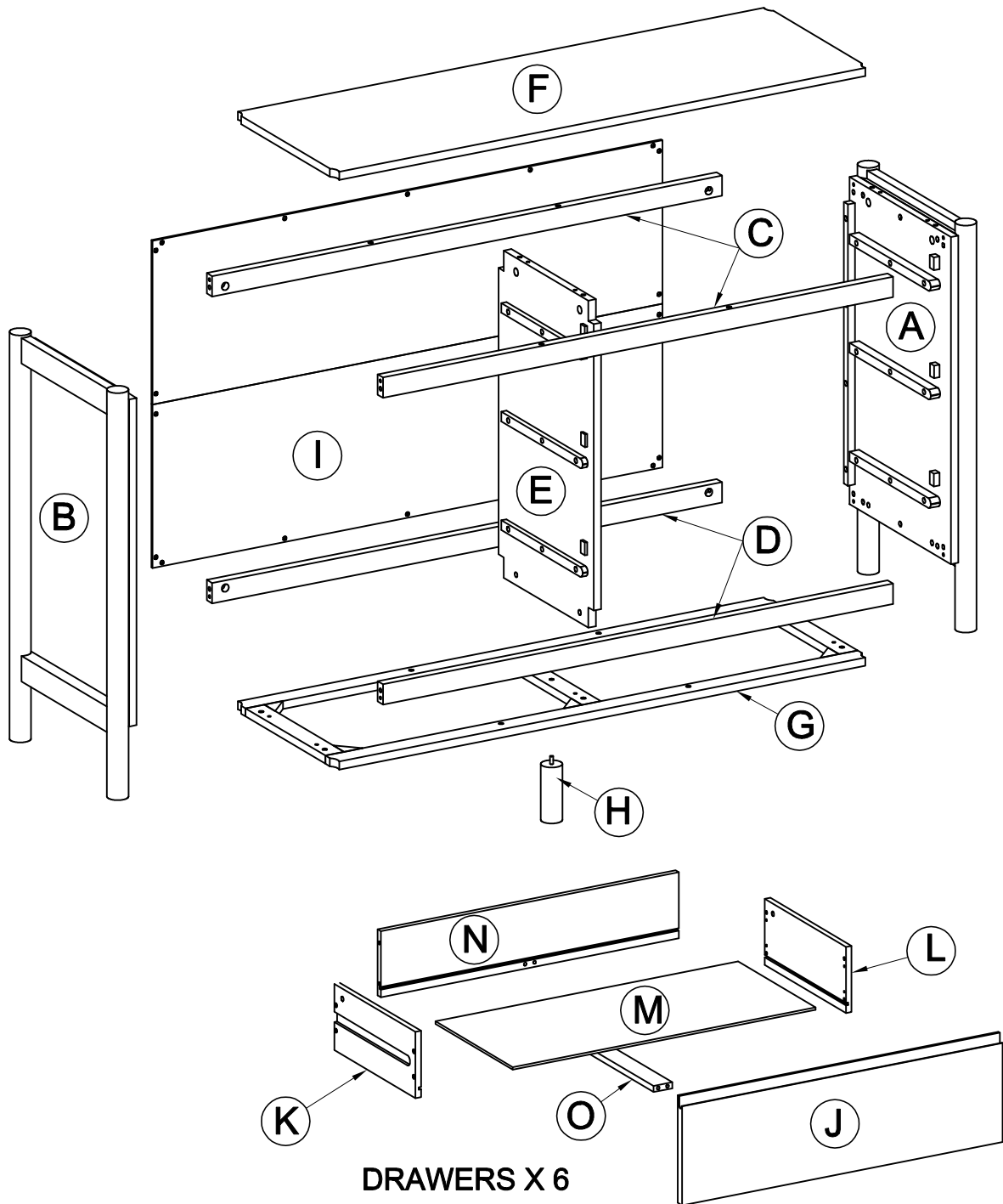
NO.	COMPONENT	SKETCH	QTY.
A	LEG (RIGHT)		1PC
B	LEG (LEFT)		1PC
C	UPPER BAR		2PCS
D	LOWER BAR		2PCS
E	MIDDLE PANEL		1PC
F	TOP PANEL		1PC
G	BOTTOM FRAME		1PC
H	CENTER LEG		1PC
I	BACK PANEL		1PC
J	FRONT OF DRAWER		6PCS
K	SIDE OF DRAWER (LEFT)		6PCS
L	SIDE OF DRAWER (RIGHT)		6PCS
M	BOTTOM OF DRAWER		6PCS
N	BACK OF DRAWER		6PCS
O	SUPPORT BAR		6PCS

## HARDWARE LIST

NO.	COMPONENT	SKETCH	QTY.
1	CAM BOLT		14PCS
2	CAM LOCK		14PCS
3	BOLT 1/4' x38		14PCS
4	FLAT WASHER 1/4" DIA		14PCS
5	SPRING WASHER 1/4" DIA		14PCS
6	ALLEN KEY M4		1PC
7	T NUTS		6PCS
8	WOODEN DOWEL #6 * 30		92PCS
9	WOOD SCREW #4 * 25 MM L		48PCS
10	MUSHROOM SCREW #3.5 * 15 MM L		18PCS
11	LOCK DRAWER #15 * 30		12PCS
12	PLASTIC BRACKET (ANTI-TIP KIT)		2PCS
13	PLASTIC ANCHOR (ANTI-TIP KIT)		2PCS
14	LONG SCREW #4 x40MM L (ANTI-TIP KIT)		2PCS
15	SHORT SCREW #3.5 x15MM L (ANTI-TIP KIT)		2PCS
16	PLASTIC STRAP (ANTI-TIP KIT)		1PC

# Assembly Instructions

ITEM NO. WF 307172  
DRESSER



DRAWERS X 6

# Assembly Instructions

ITEM NO. WF 307172  
DRESSER

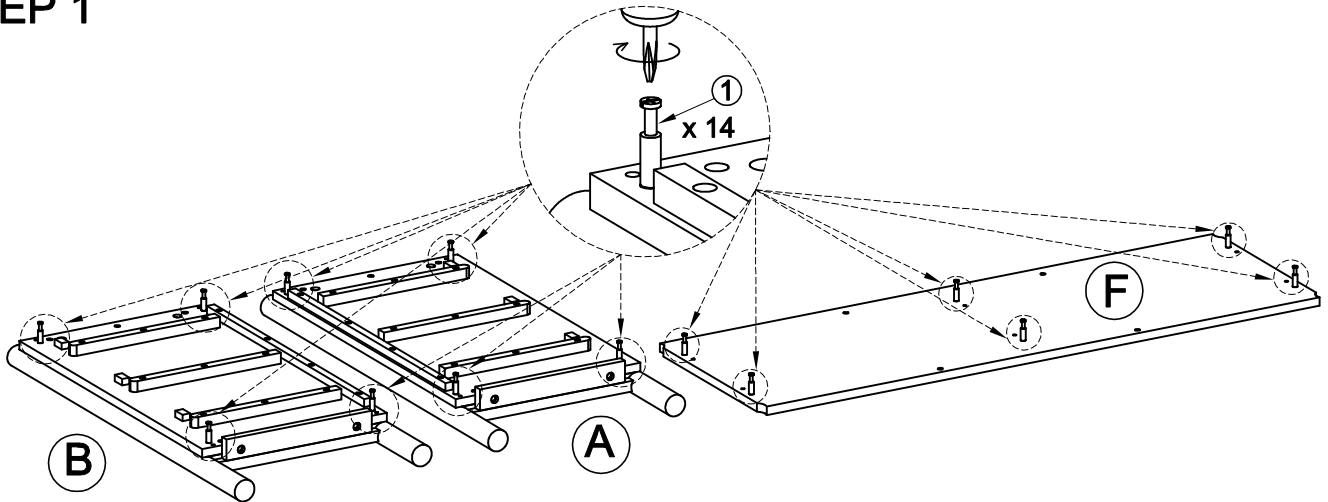


ASSEMBLY TOOLS REQUIRED ( NOT INCLUDED)



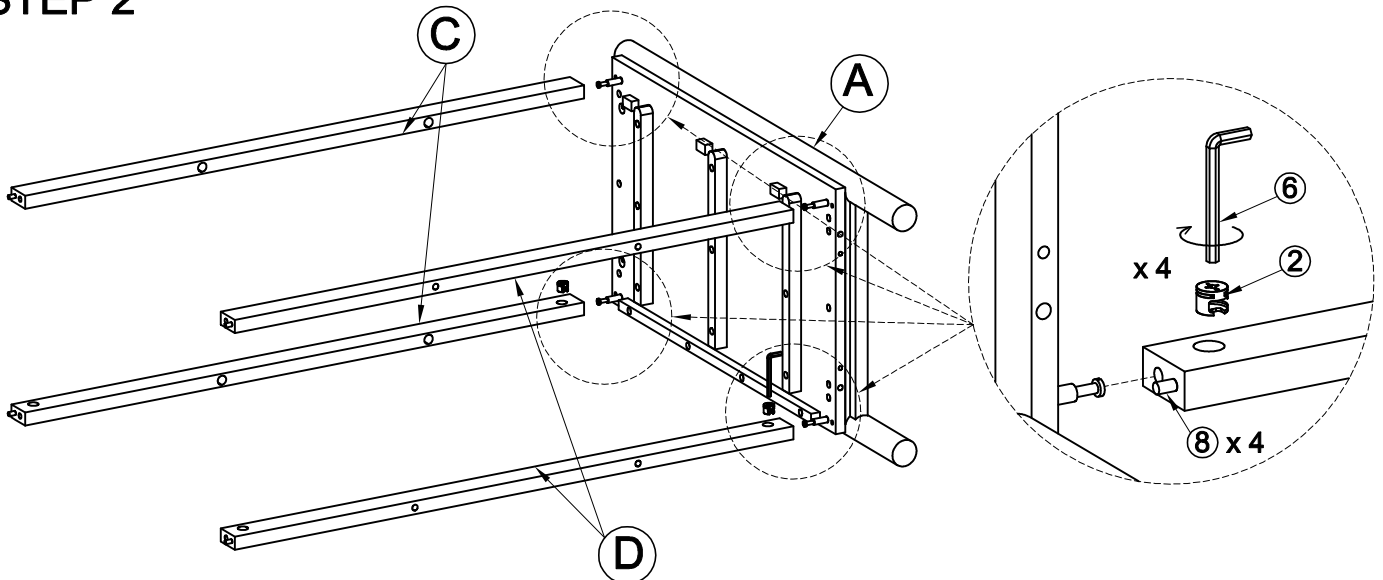
PLEASE BE CAREFUL DO NOT DAMAGE THE HOLE POSITION WHEN YOU USE POWERTOOLS!

## STEP 1



A x1 B x1 F x1 ① x14

## STEP 2



A x1 C x2 D x2 ② x4 ⑥ x1 ⑧ x4

MADE IN VIETNAM

PAGE: 4 OF 8

# Assembly Instructions

ITEM NO. WF 307172  
DRESSER

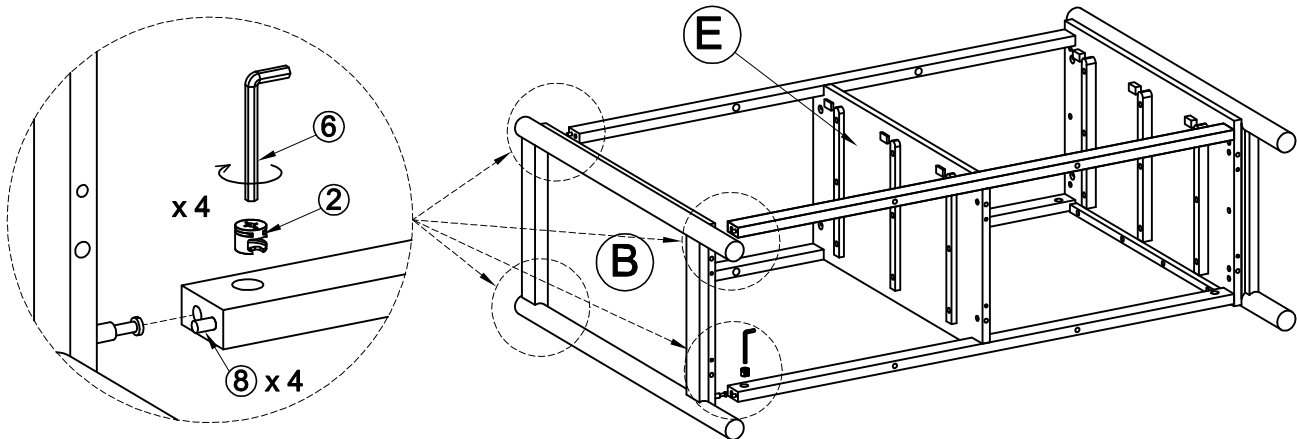


ASSEMBLY TOOLS REQUIRED ( NOT INCLUDED)



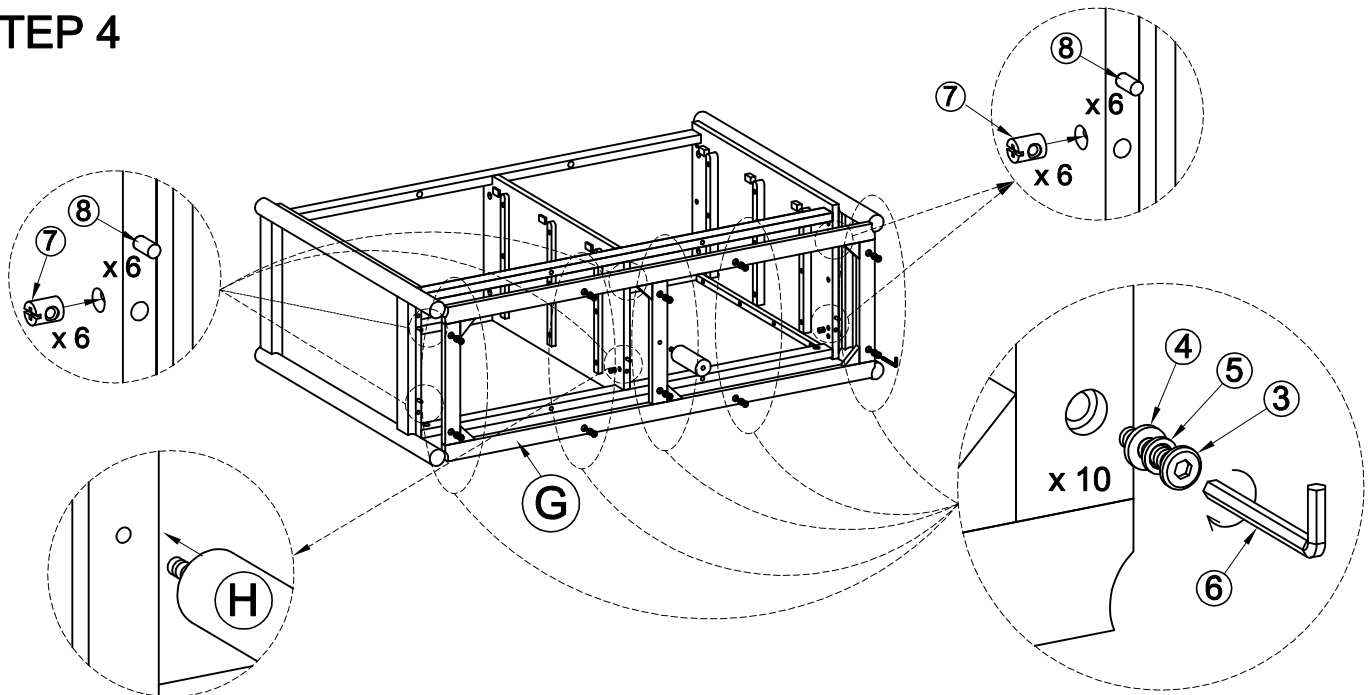
PLEASE BE CAREFUL DO NOT DAMAGE THE HOLE POSITION WHEN YOU USE POWERTOOLS!

## STEP 3



B x1 E x1 ②x4 ⑥x1 ⑧x4

## STEP 4



G x1 H x1 ③x10 ④x10 ⑤x10 ⑥x1 ⑦x6 ⑧x6

MADE IN VIETNAM

PAGE: 5 OF 8

# Assembly Instructions

ITEM NO. WF 307172  
DRESSER

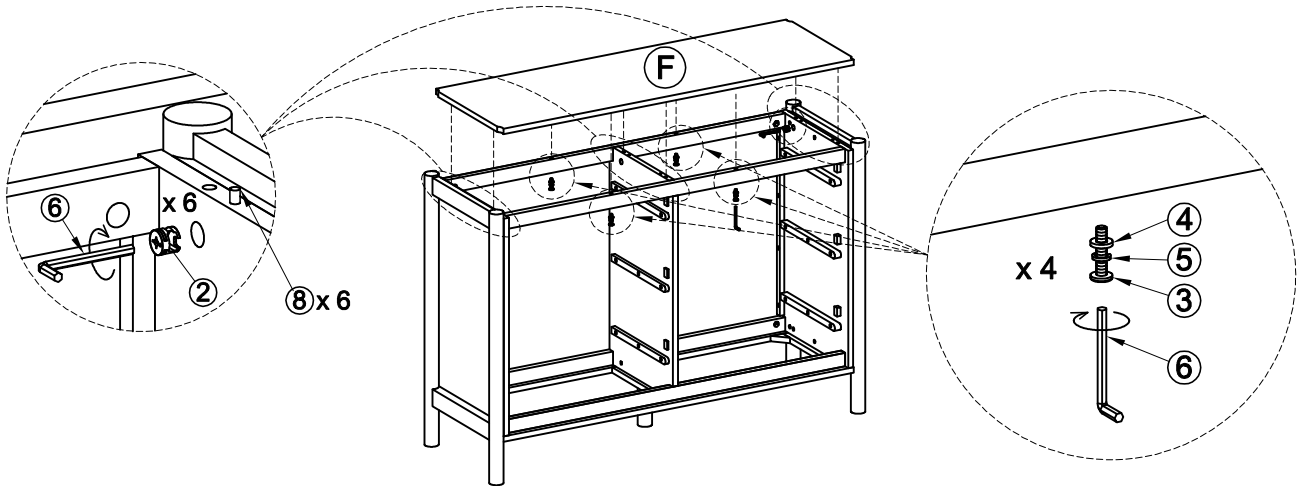


ASSEMBLY TOOLS REQUIRED ( NOT INCLUDED)



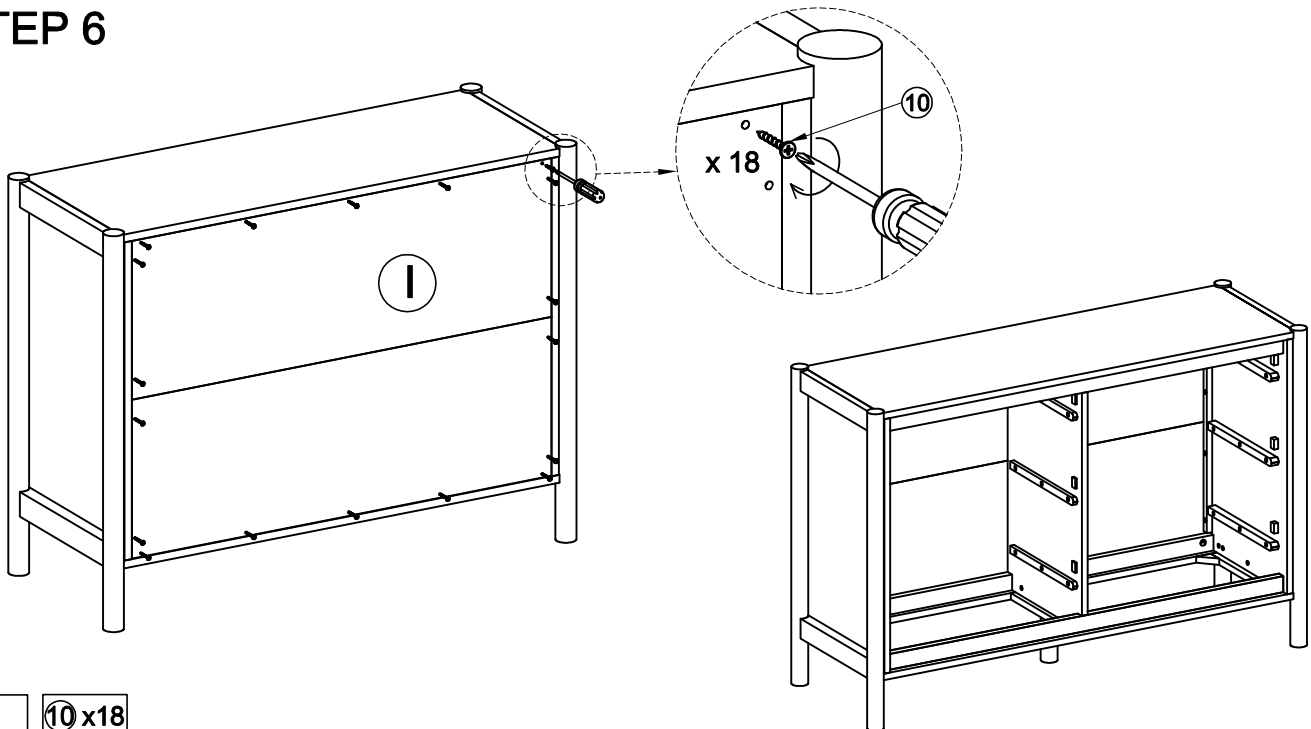
PLEASE BE CAREFUL DO NOT DAMAGE THE HOLE POSITION WHEN YOU USE POWERTOOLS!

## STEP 5



F x1   ② x6   ③ x4   ④ x4   ⑤ x4   ⑥ x1

## STEP 6



I x1   ⑩ x18

# Assembly Instructions

ITEM NO. WF 307172  
DRESSER



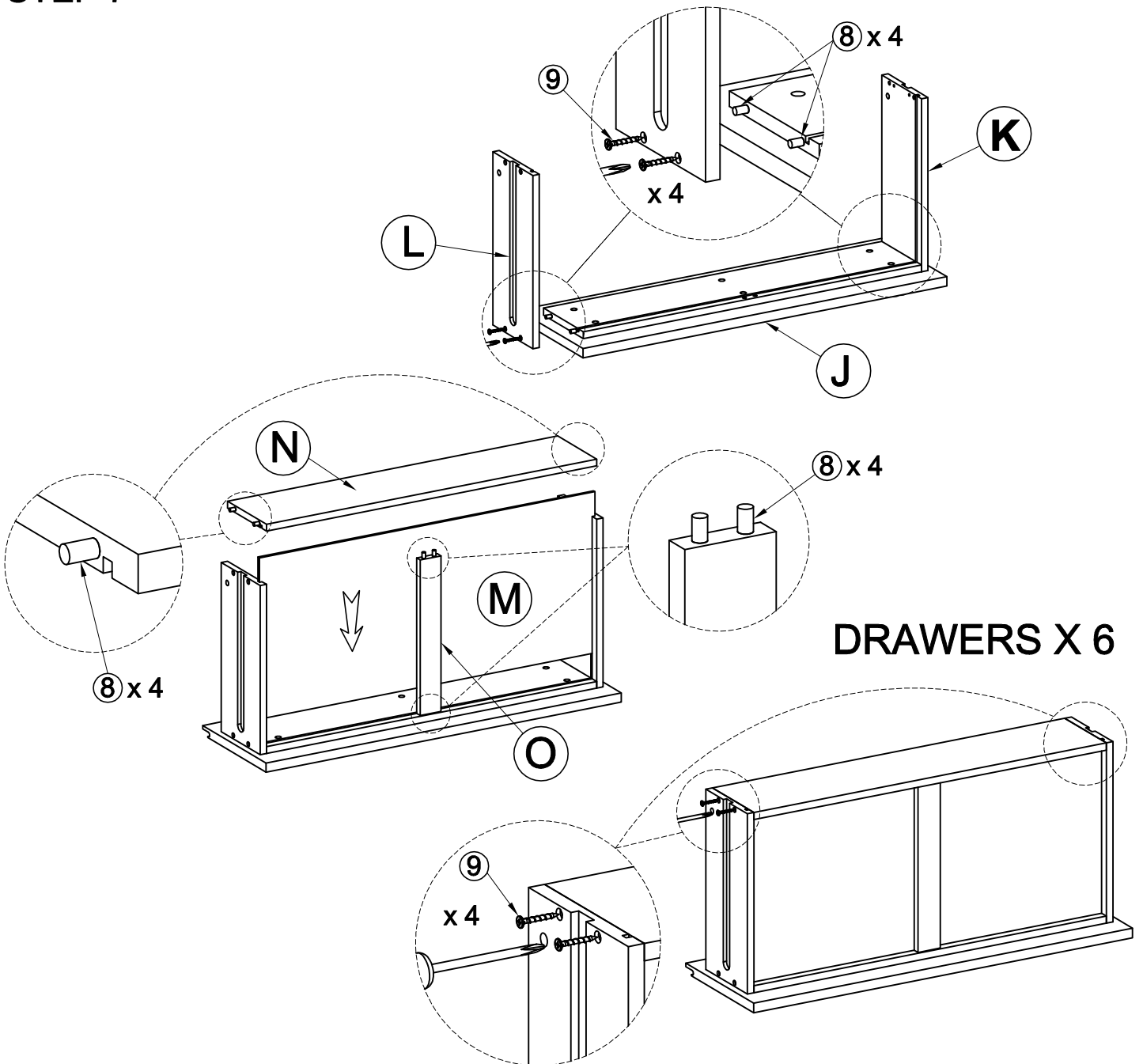
ASSEMBLY TOOLS REQUIRED ( NOT INCLUDED)



PLEASE BE CAREFUL DO NOT DAMAGE THE HOLE POSITION WHEN YOU USE POWERTOOLS!

## STEP 7

50% Tighten before fixing all screws



J x6   K x6   L x6   M x6   N x6   O x6   ⑧x72   ⑨x48

MADE IN VIETNAM

PAGE: 7 OF 8

# Assembly Instructions

ITEM NO. WF 307172  
DRESSER

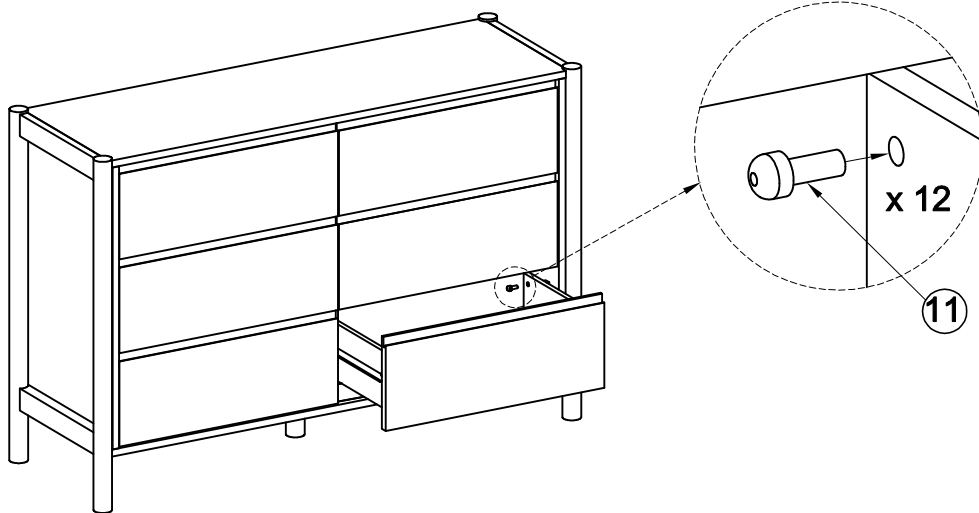


ASSEMBLY TOOLS REQUIRED ( NOT INCLUDED)



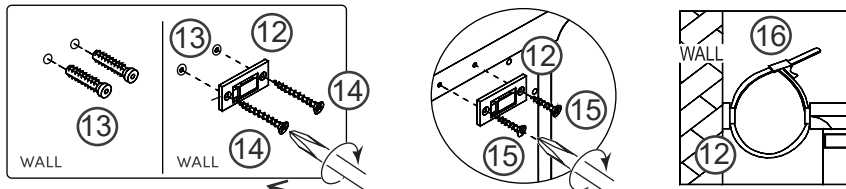
PLEASE BE CAREFUL DO NOT DAMAGE THE HOLE POSITION WHEN YOU USE POWERTOOLS!

## STEP 8

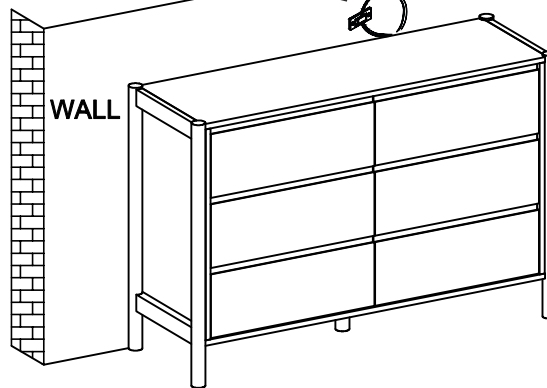


11x12

## STEP 9



**Important Note:** Young children can be seriously injured by tipping furniture. You must install the tipping restraint hardware (included) with the unit to prevent the unit from tipping, causing any accidents or damage. The tipping restraints are intended only as a deterrent, they are not substitute for proper adult supervision. The tipping restraints are not earthquake restraints. If you wish to add the extra security of earthquake restraints, they must be purchased and installed separately.



12x2

13x2

14x2

15x2

16x1

MADE IN VIETNAM

PAGE: 8 OF 8