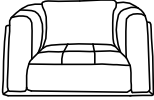
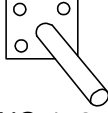



# ASSEMBLY INSTRUCTION

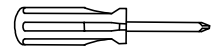
## CHAIR

LEGS AND HARDWARE ARE STORED IN THE BOTTOM OF THE SEAT, PLEASE TAKE OUT FOR ASSEMBLY.

NO.	PARTS LIST	QTY	DESCRIPTION
A		1	CHAIR

NO.	HARDWARE LIST	QTY	DESCRIPTION
B	 XG-152mm	4	METAL LEGS
C	 M8*30mm	16	BOLT

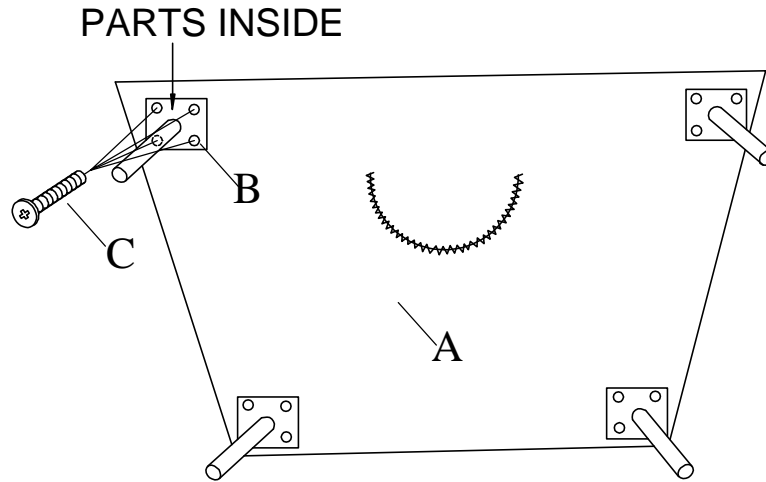
Tool Required  
(not provided)



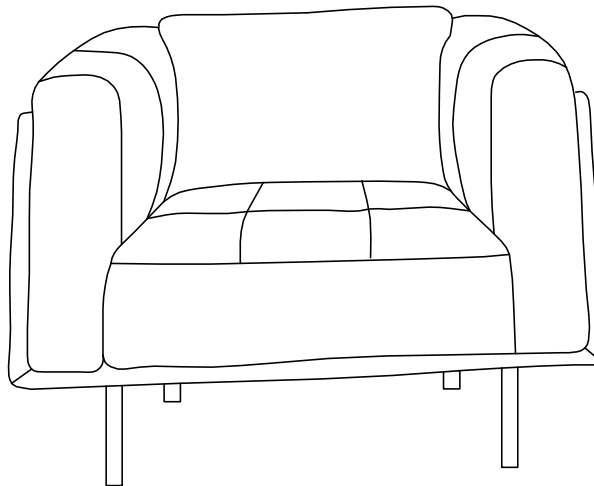
# ASSEMBLY INSTRUCTION

## CHAIR

### STEP # 1



### STEP # 2



#### CARE INSTRUCTION FOR LEATHER FURNITURE

In order to maintain the original appearance of your furniture, please follow below care procedures .

°Avoid exposing furniture directly to sunlight or heating and air conditioning outlets. sunlight and/ or exposure to heating and air conditioning outlets will fade/damage leather. Do not place your upholstered furniture too close to windows, radiators, vents and be sure to use window treatments to block the sun's rays

°Wipe with a soft brush to remove dust