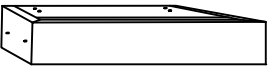

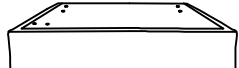
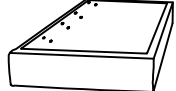


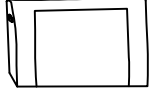


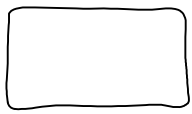

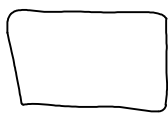
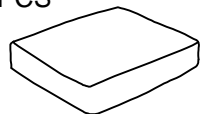

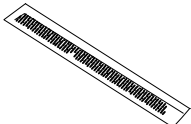
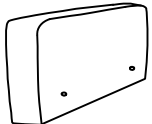
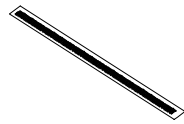


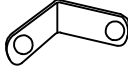


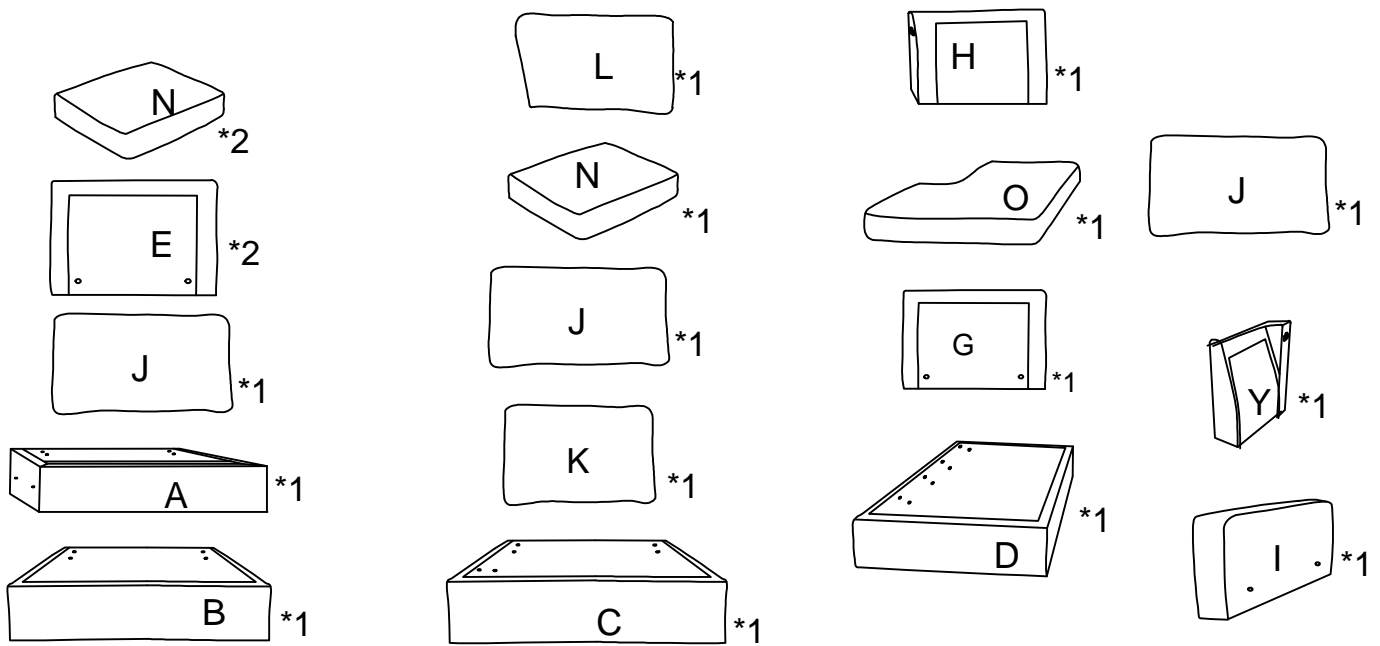


ASSEMBLY INSTRUCTION

A Arm sofa base 1PC 	B Middle sofa base 1PC 	C Corner base 1PC 	D Ottoman base 1PC 	
E Backrest-sofa 2PCS 	G Backrest-Ott 1PC 	H Backrest-chaise 1PC 	O Cushion-Ott 1PC 	
Y Backrest-corner 1PC 	J Back cushion-sofa 3 PCS 	K Back cushion-Ott 1PC 	L Back cushion 1PC 	N Seat cushion-sofa 3 PCS 
R Leg x18 	P Velcro 6PCS 	I Armrest 1PC 	U Velcro 5PCS 	S Washer 8*22 mm 32 PCS 
Z Allen wrench 1PC 	T Corner plate 9PCS 	Y Bolt 8*70 mm 14PCS 	V Bolt 8*25 mm 18PCS 	



BOX-1

R P U S Z T
Y V

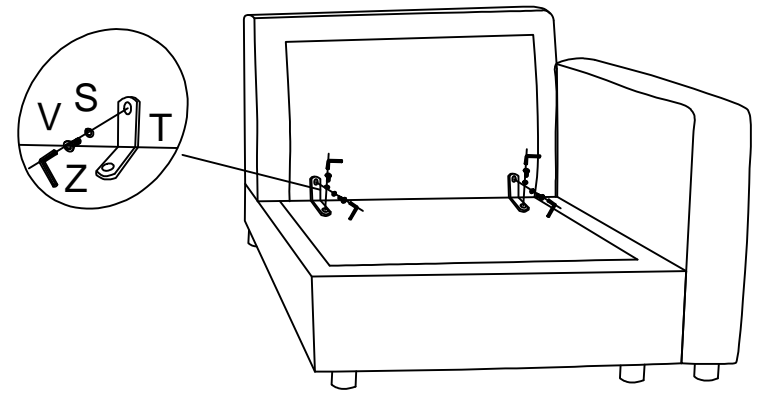
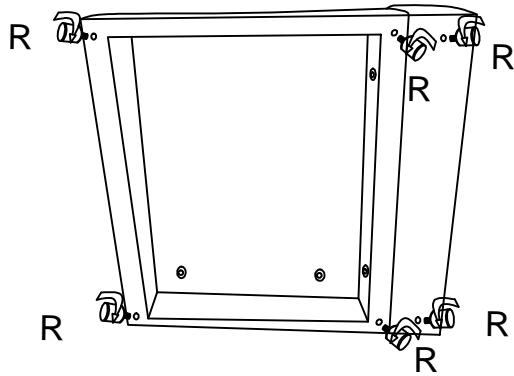
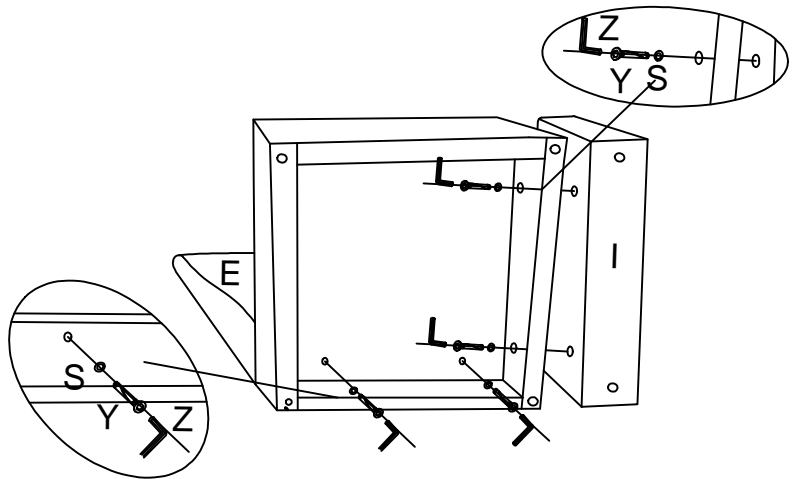
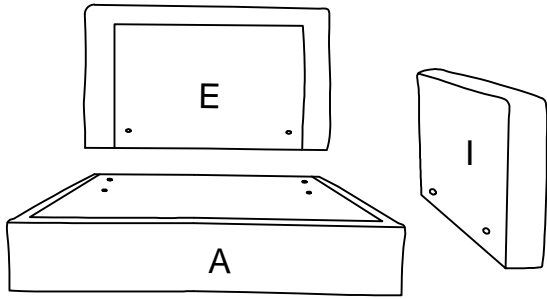
BOX-2

BOX-3

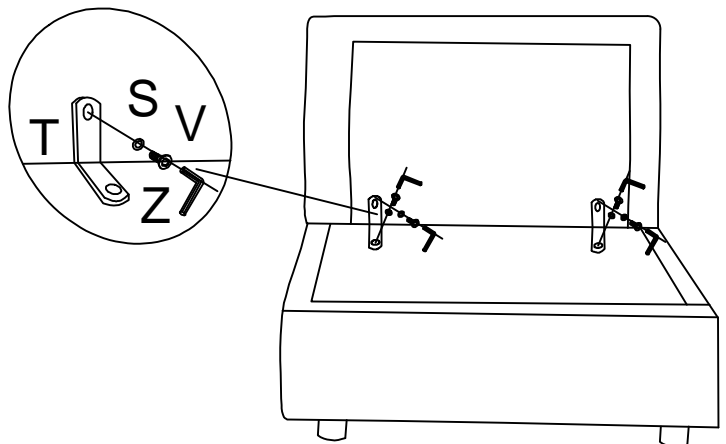
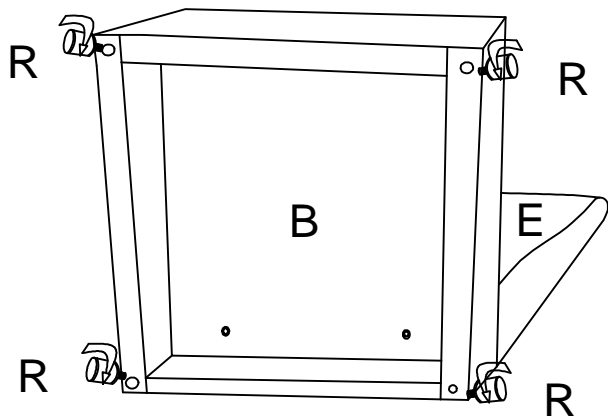
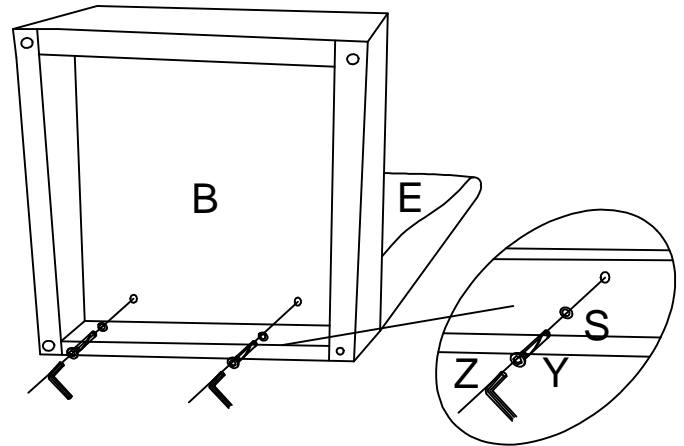
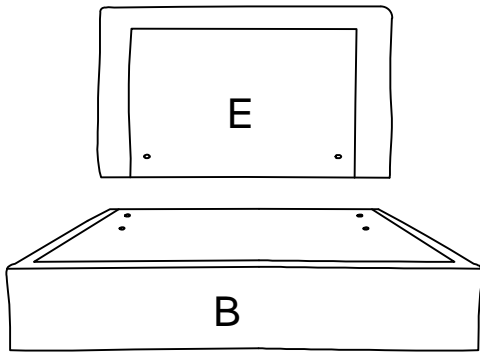
BOX-4

ASSEMBLY INSTRUCTION

STEP 1

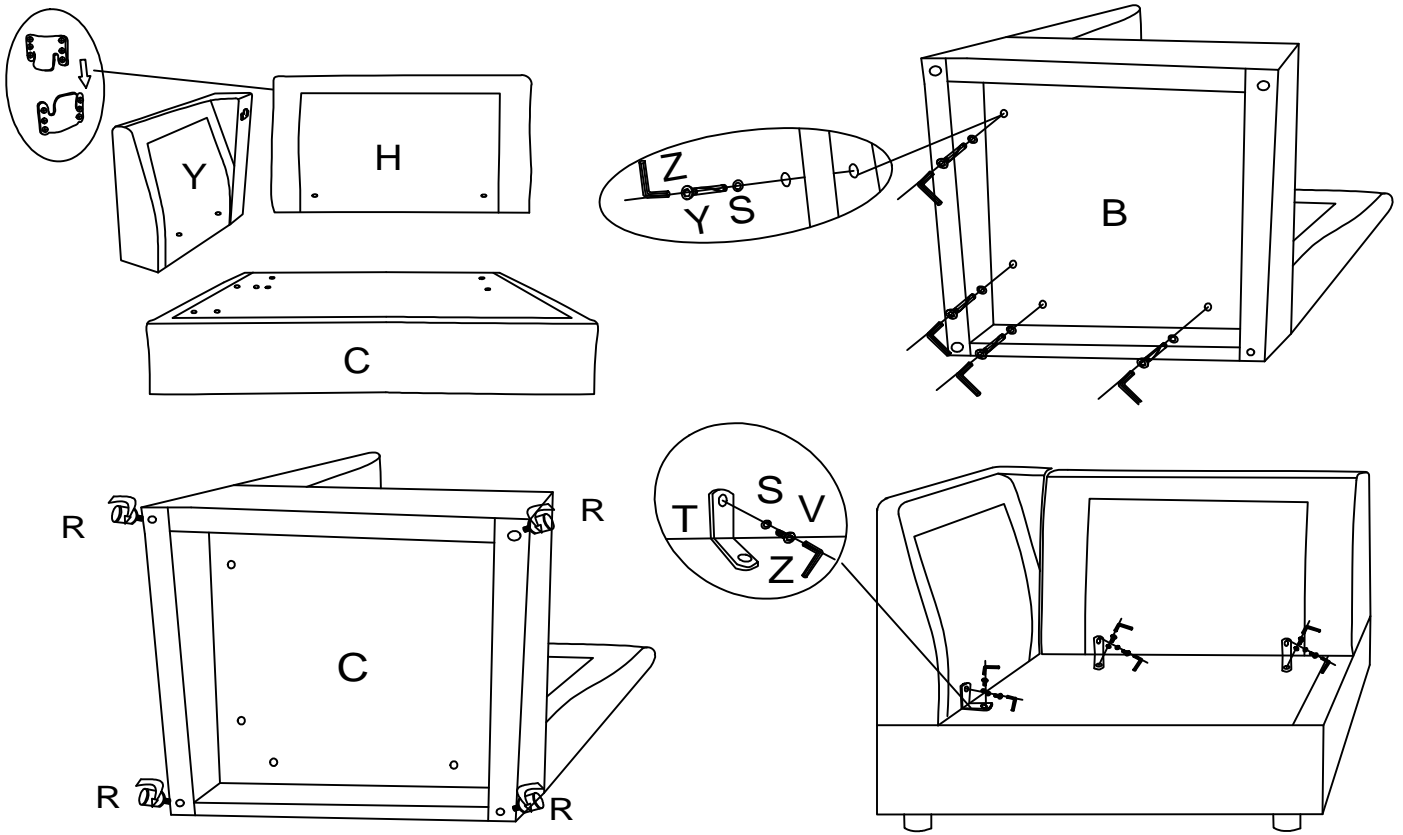


STEP 2

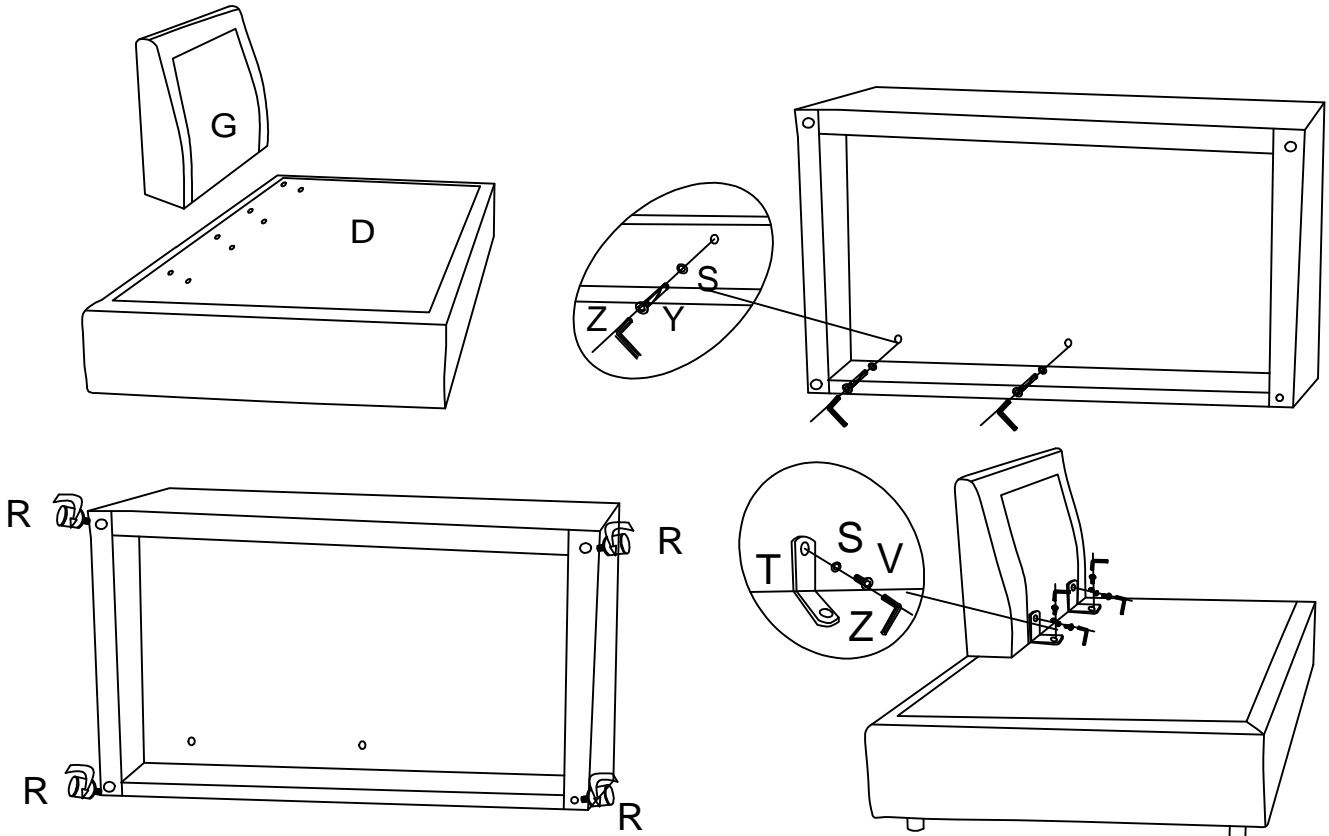


ASSEMBLY INSTRUCTION

STEP 3

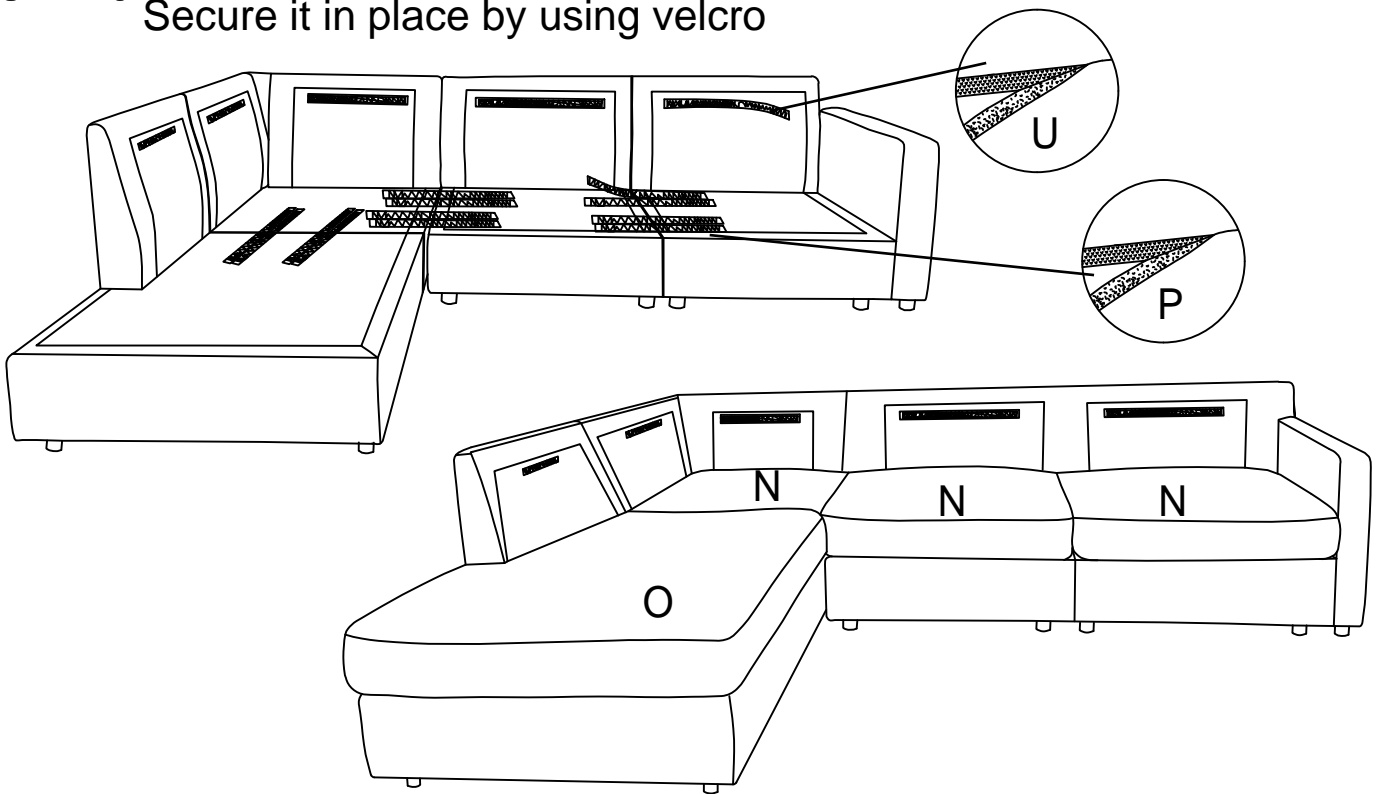


STEP 4

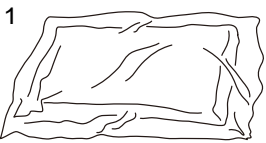


ASSEMBLY INSTRUCTION

STEP 5 Secure it in place by using velcro



After packing up, place them in somewhere dry and ventilated. After about 72-96hours. it can be restored to the best use condition.



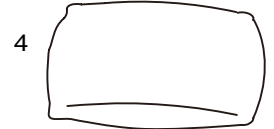
Open the vacuum bag carefully.



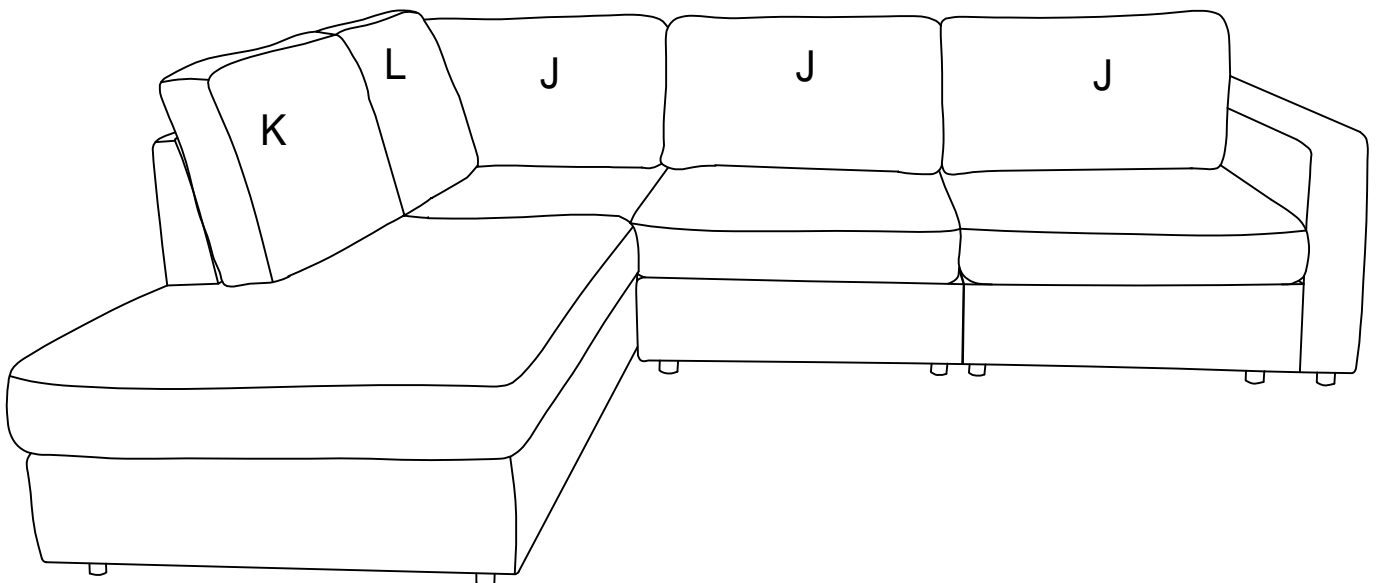
Press and tap with both hands



Press and tap with both hands from the front to fully inflate.

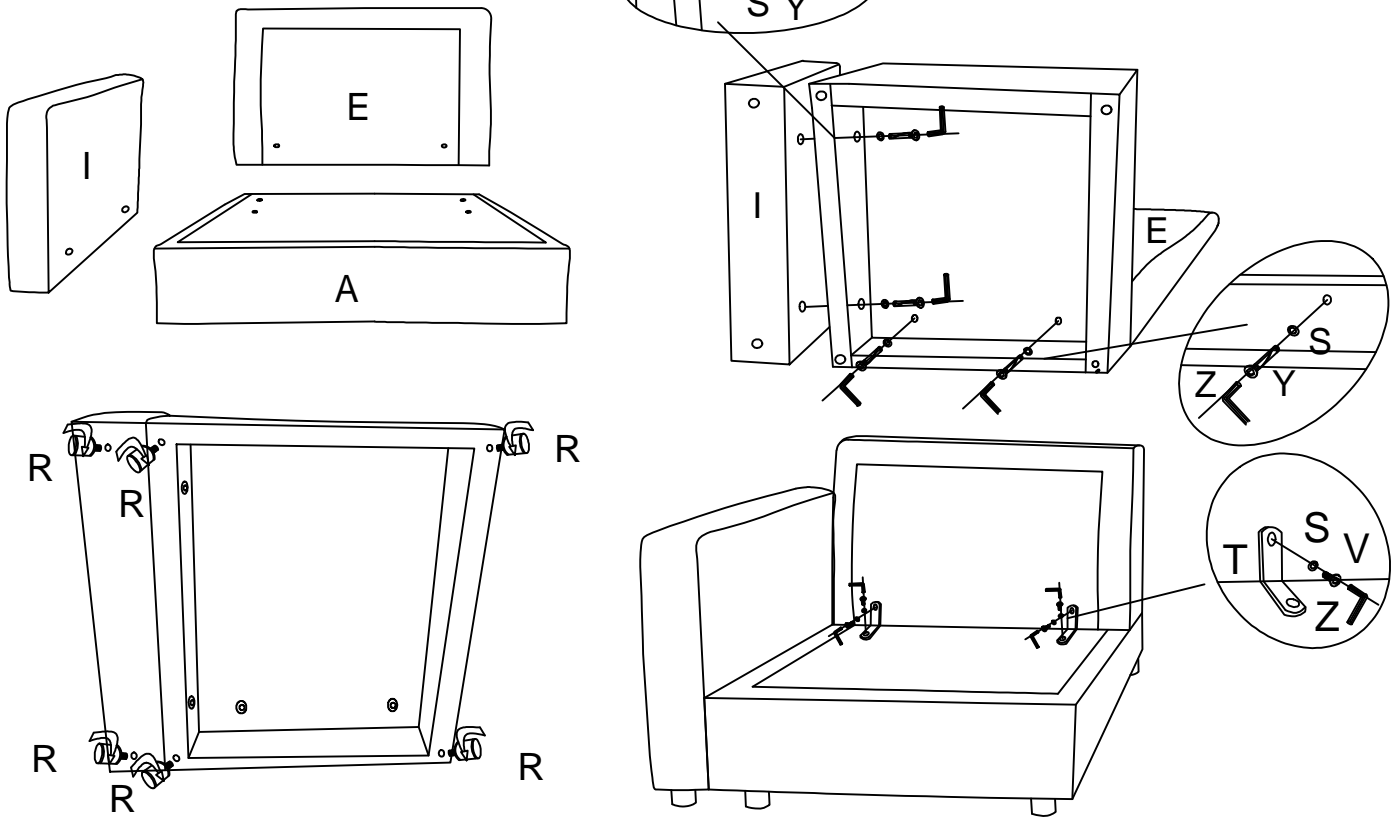


Carefully smooth out each section until the surface is even.

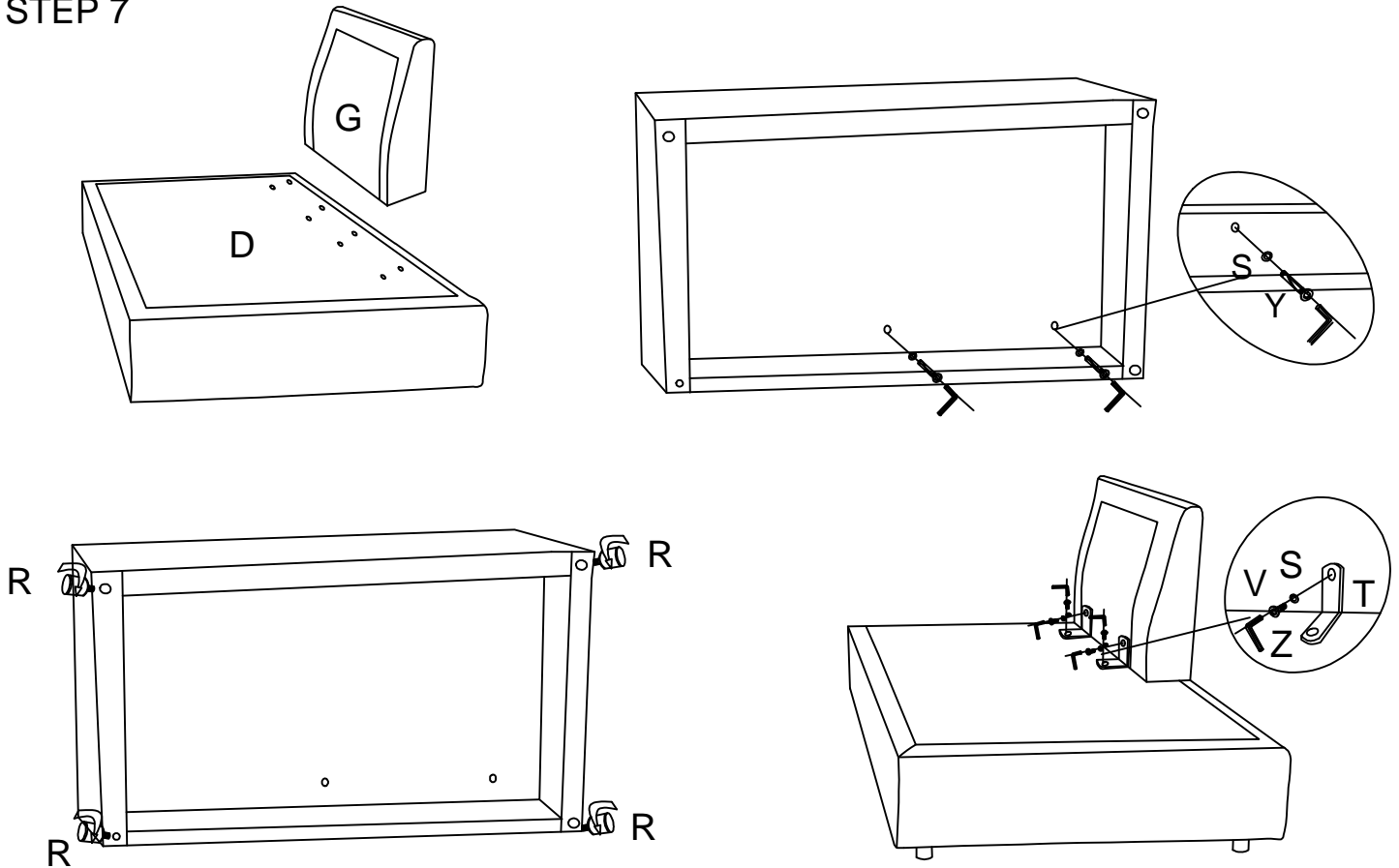


ASSEMBLY INSTRUCTION

STEP 6

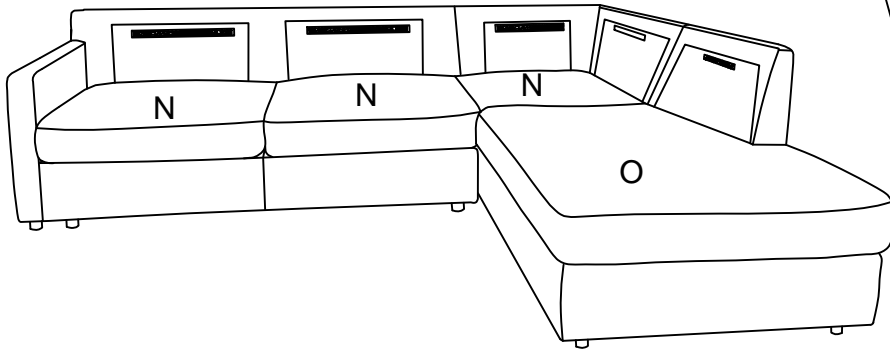
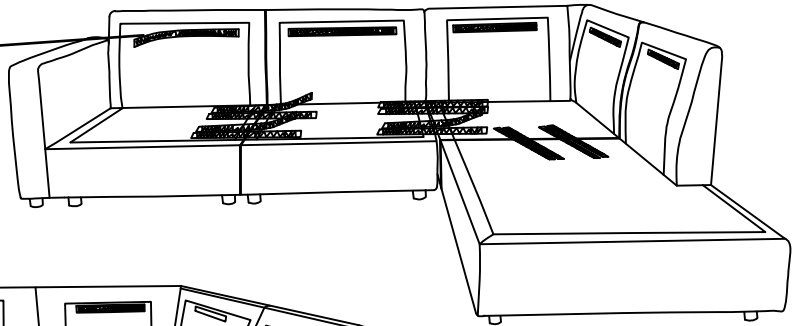
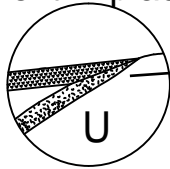


STEP 7

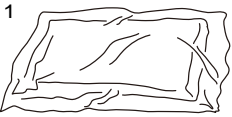


ASSEMBLY INSTRUCTION

STEP 8 Secure it in place by using velcro



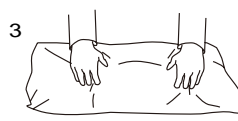
After packing up, place them in somewhere dry and ventilated. After about 72-96hours. it can be restored to the best use condition.



1 Open the vacuum bag carefully. Press and tap with both hands



2



3

Press and tap with both hands from the front to fully inflate.



4

Carefully smooth out each section until the surface is even.

