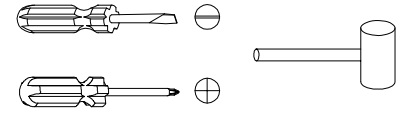


ASSEMBLY INSTRUCTIONS

6 Drawer Dresser

ASSEMBLY REQUIREMENTS 2-Person Assembly 2.5 Hour Assembly Time (Approximate) Tools Required (Not Provided)



Thank you for purchasing our product!

Please refer and use this assembly instruction to assemble the product.
Contact our customer service department in case there are any missing or damage parts or hardware.
Replacement parts are normally shipped within 2 or 3 days.

We appreciate your business!

PRODUCTS PURCHASED THROUGH OUR AUTHORIZED VENDORS ONLY ARE ELIGIBLE FOR REPLACEMENT PARTS.

THIS PRODUCT IS FOR INDOOR AND HOUSEHOLD USE ONLY - NOT FOR COMMERCIAL USE.

ASSEMBLY PREPARATION:

1. Remove all packaging materials, staples and packing straps from the carton.
2. Refer to Parts List and Hardware List and ensure parts and hardware are correct before assembly.
Contact customer service for missing parts.
3. Place all wooden parts on a clean, flat and soft surface (e.g. carpet or rug) to prevent scratch and damage to parts

SAFETY PRECAUTION:

1. KEEP ALL HARDWARE PARTS OUT OF REACH OF CHILDREN.
2. DISPOSE PLASTIC PACKAGING MATERIAL IMMEDIATELY TO AVOID ANY RISK OF SUFFOCATION TO CHILDREN AND ANIMALS.

TIPS FOR ASSEMBLY:

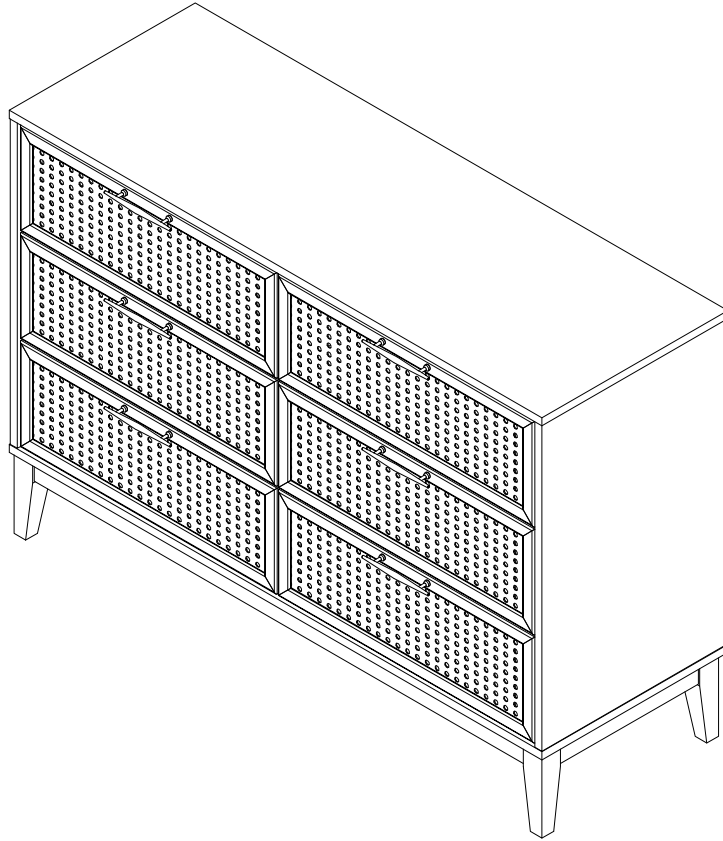
1. Allow ample room for assembly and assemble the product near where the product will be placed.
2. Assemble the product on a surface that does not scratch or damage the exterior gloss and finish of the furniture.
3. Identify all of the parts, hardware and quantities required for each step.
4. During assembly, do not over-tighten any fittings as this may cause damage.
5. DO NOT USE POWER TOOLS TO ASSEMBLE THIS PRODUCT.
6. Always place the product on a flat, level surface.
7. Do not sit or stand on the partially assembled product; only use the product for which it is intended.

CARE AND MAINTENANCE:






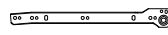

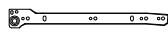
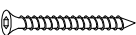
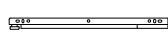
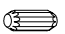
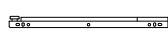
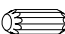


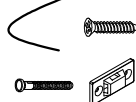


- Use a slightly damp cloth to clean the product. Do not use bleach or abrasive cleaning material.
- Check all the fittings periodically and re-tighten as necessary. Do not use the product if any of the parts is damaged or broken.
- Never allow any kind of liquid to remain on your furniture. Absorption can cause wood to warp or delaminate.
- Do not place hot items (e.g. hot drinks) directly onto the wood surface.
- Do not drag and pull your furniture.

ASSEMBLY INSTRUCTIONS

6 Drawer Dresser Item



HARDWARE LIST

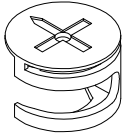
NO		DESCRIPTION	QTY	EXTRA	NO		DESCRIPTION	QTY	EXTRA
A		CSK SCREW M3 X 16MM (RB)	12	1	L		CAM-LOCK 15/12	12	
B		CSK SCREW M3.5 X 12MM	24	2	M		ZINC ALLOY HANDLE (L140 X W9.5 X 96MM) WITH SCREW (M4 X 25MM)	6 SETS	
C		CSK SCREW M4.5 X 32MM	24	2	N1		METAL DRAWER SLIDE CR (300MM)	6	
D		EURO SCREW M6 X 9MM	24	2	N2		METAL DRAWER SLIDE CL (300MM)	6	
E		JCBC (W) SCREW M6 X 40MM	18	1	P1		METAL DRAWER SLIDE DR (300MM)	6	
F		WOOD DOWEL Ø6 X 20MM	48	3	P2		METAL DRAWER SLIDE DL (300MM)	6	
G		WOOD DOWEL Ø8 X 25MM	29	2	Q		ALLEN KEY M4	1	
H		WOOD DOWEL Ø8 X 50MM	8	1			TIPPING RESTRAINT KIT	1 SET	
J		CAM-BOLT DU319 20X5MM	26						
K		CAM-LOCK 15/15	14						

*EXTRA HARDWARE FOR SPARE USE.

INSTRUCTION FOR CAM-BOLT & CAM-LOCK

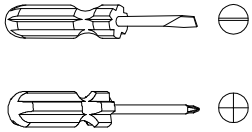


CAM-BOLT

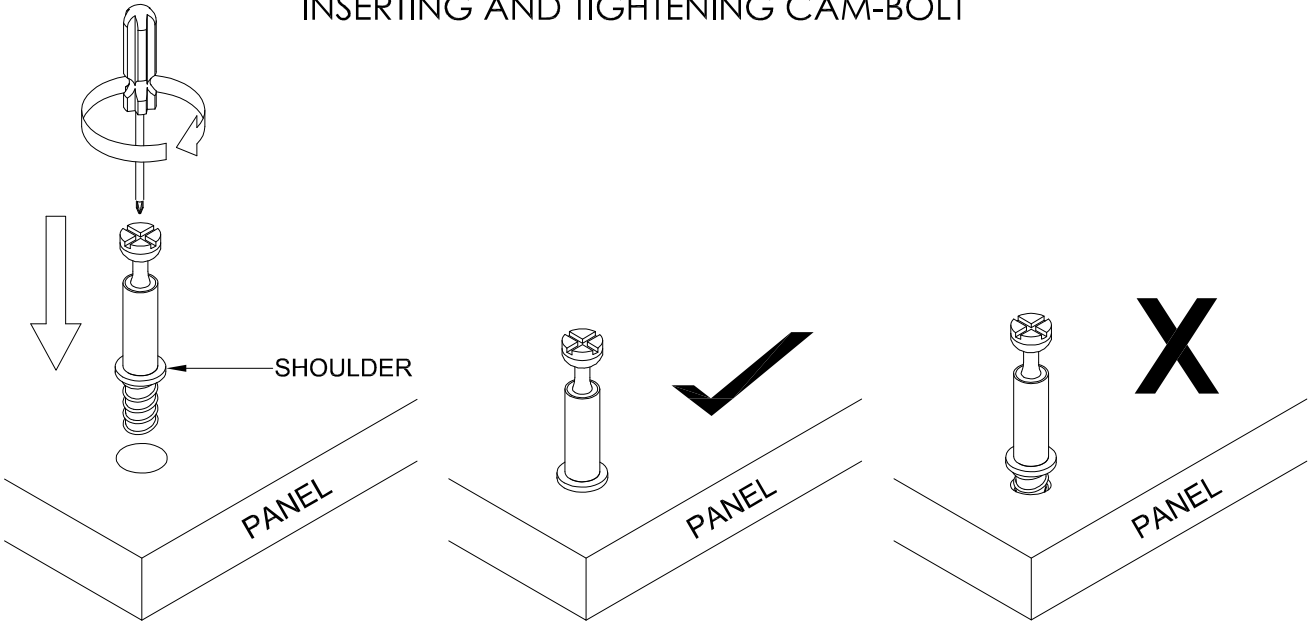


CAM-LOCK

Tools Required



INSERTING AND TIGHTENING CAM-BOLT



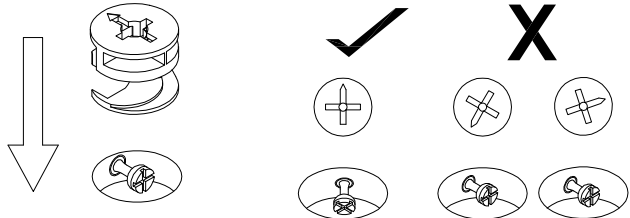
Place Cam-bolt on pre-drilled hole and screw in vertically

Shoulder is flushed (on the same level) with the panel.

Shoulder is above the panel.

Place Cam-bolt on the designated pre-drilled holes on the panel. Use a Phillips Screwdriver to screw-in Cam-bolt vertically until shoulder is flushed (on the same level) with panel.

INSERTING CAM-LOCK



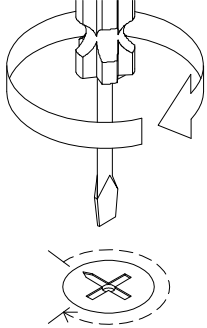
Insert Cam-lock with arrow align to Cam-bolt head

CORRECT

WRONG

Align the arrow on the Cam-lock to the Cam-bolt head and insert the Cam-lock. Ensure Cam-lock is fully inserted.

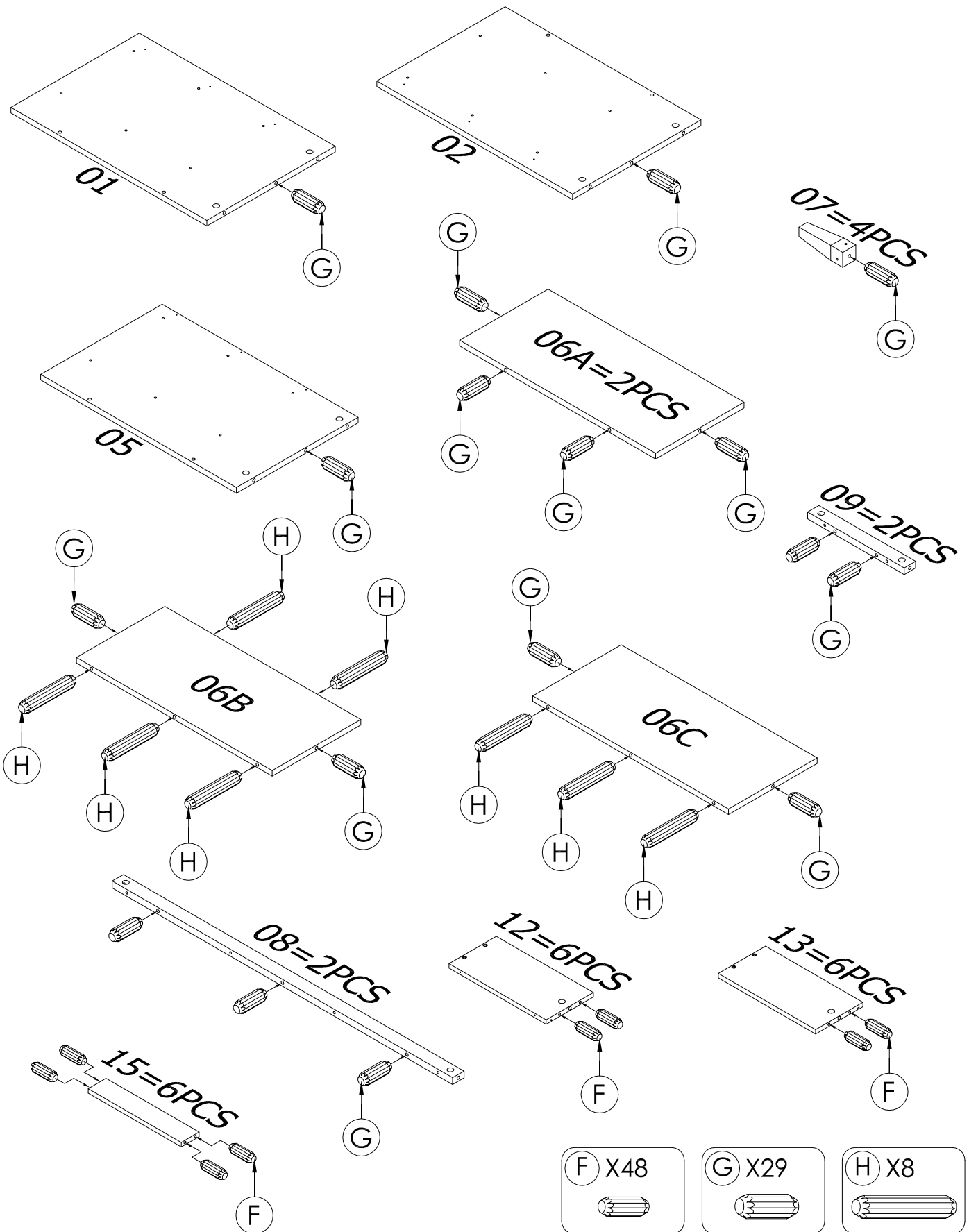
TIGHTENING CAM-LOCK



Use a Flat-head Screwdriver to turn Cam-lock clockwise so it locks onto the head of the Cam-bolt. Turn until it is snug (about 3/4ths of a turn) -- over-tightening could damage Cam-lock or/and Cam-bolt.

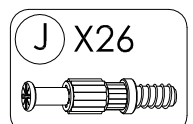
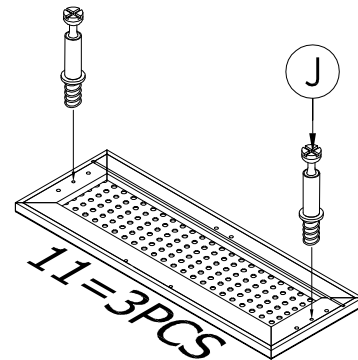
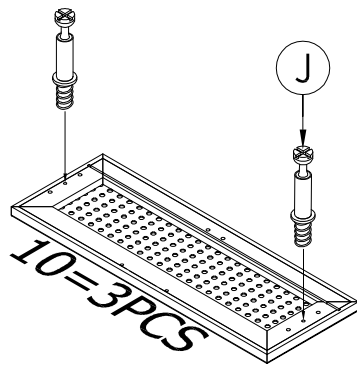
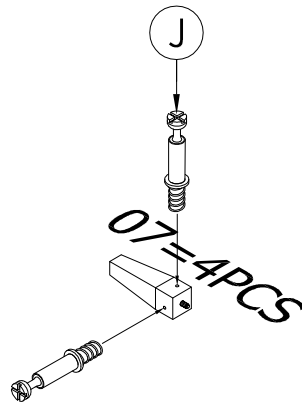
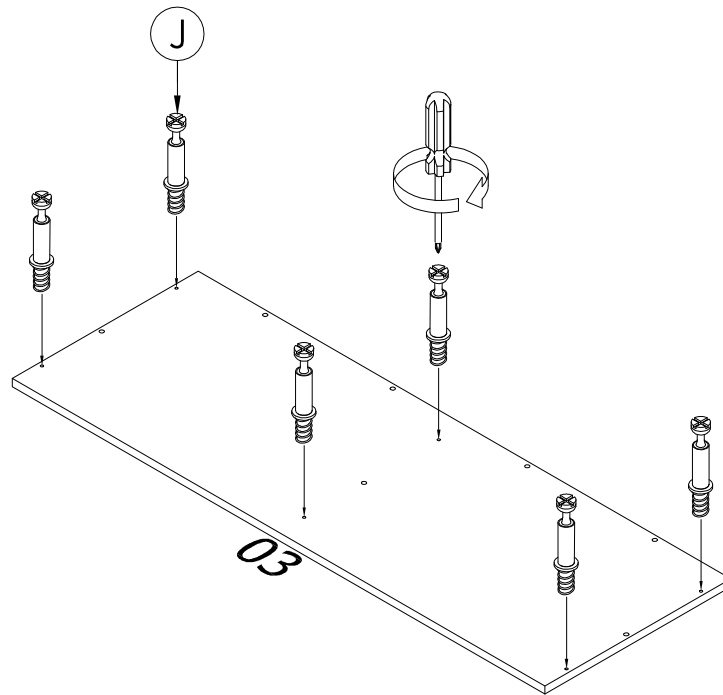
STEP 1

Lay the parts shown on a material that does not scratch or damage the parts and insert the respective Wood Dowel (F, G, & H) into the designated holes as shown. Use a hammer or mallet to lightly tap in wood dowel if necessary.



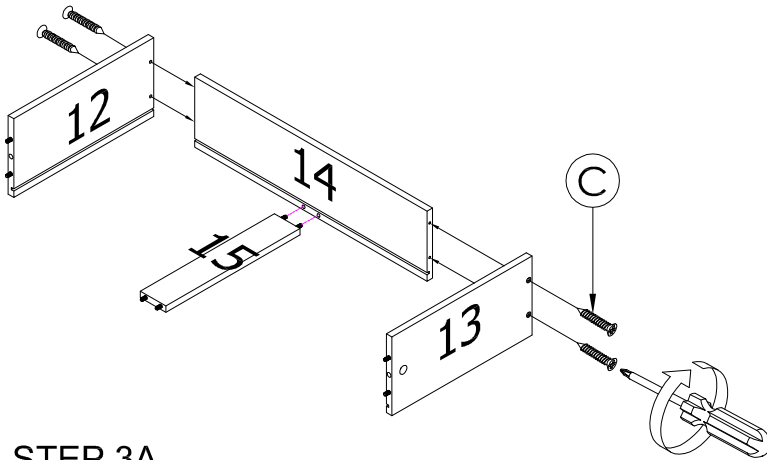
STEP 2

Lay the parts shown on a material that does not scratch or damage the parts and screw in Cam-bolt (J) into the designated hole on each part as shown. Refer to Page 4 for instructions on inserting and tightening cam-bolt.



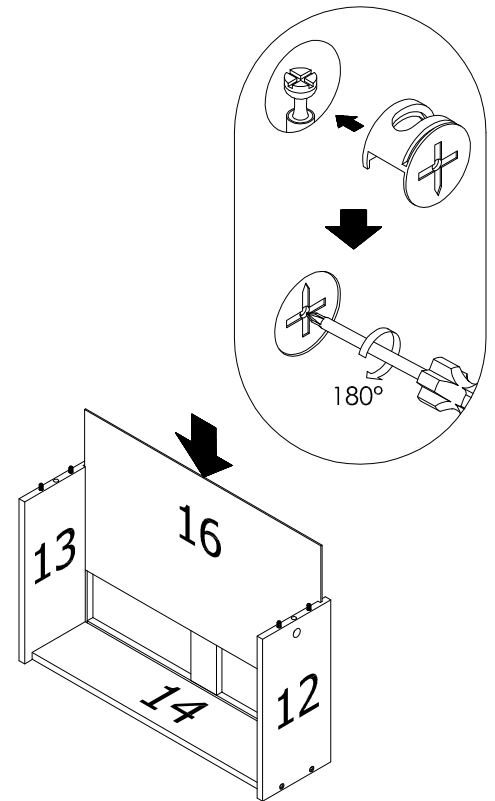
STEP 3 - Assemble Drawer

NOTE: Be sure to distinguish between Drawer Front Left Panel (10) and Drawer Front Right Panel (11) - see Step 16.



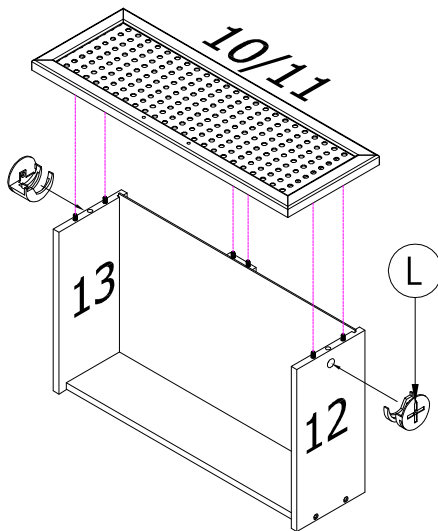
STEP 3A

Attach Drawer Left & Right Panel (12 & 13) from Step 1 to Drawer Back Panel (14) as shown - note the groove on each panel is at the bottom. Use Phillips Screwdriver to drive Screw (C) to fasten (12 & 13) to (14). Do not tighten screws completely until both screws are in place in each panel. Next, attach Drawer Support (15) from Step 1 to (14) via wood dowels.



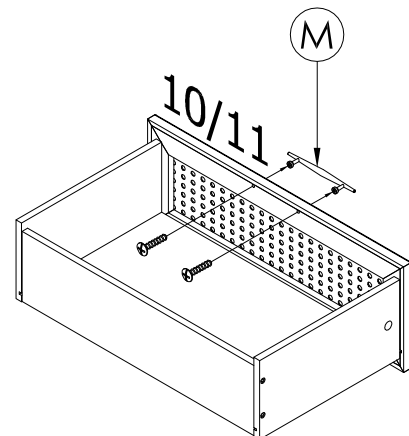
STEP 3B

Lay the assembly from Step 3A as shown. Fit Drawer Bottom Panel (16) via groove on (12, 13 & 14).



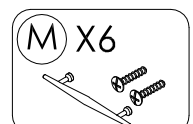
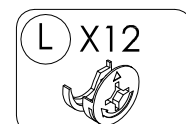
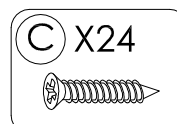
STEP 3C

Attach Drawer Front Panels (10 & 11) to (12 & 13) via cam-bolts and wood dowels on the respective parts. Check that the top edge of Bottom Panel fits into the groove on the inside surface of Drawer Front Panel (10 & 11). Next, insert Cam-lock (L) into the designated hole on (12) and (13) and turn clockwise to lock onto cam bolt. Refer to Page 4 for instructions on inserting and tightening Cam-lock.



STEP 3D

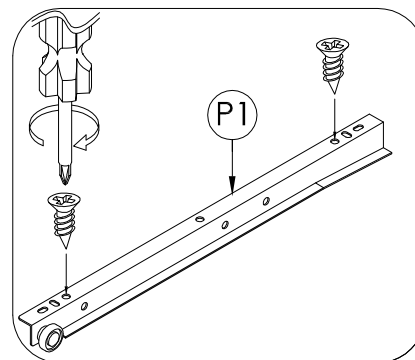
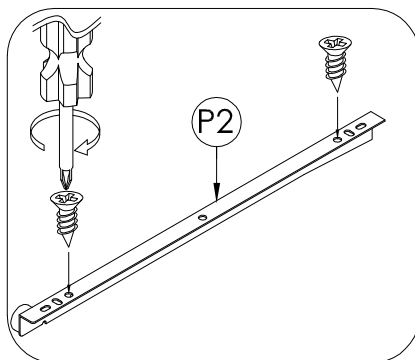
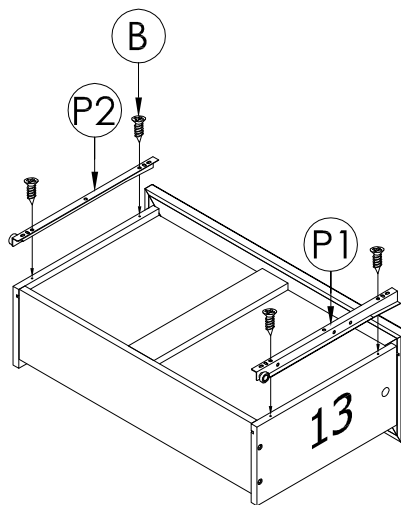
Use screws provided in Handle Set (M) to fasten Handle.



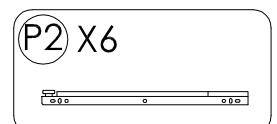
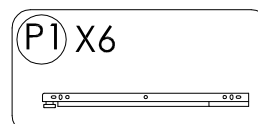
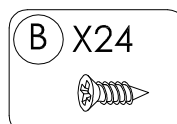
X6

STEP 4 - Install Drawer Slide

- Lay Drawer completed in Step 3 bottom-side up as shown.
- Place Drawer Slide (P1 & P2) to Right and Left Drawer Panel (12 & 13) respectively and fasten with Screw (B) - Refer to the enlarge drawing to identify the specific screw hole to use for Screw (B).



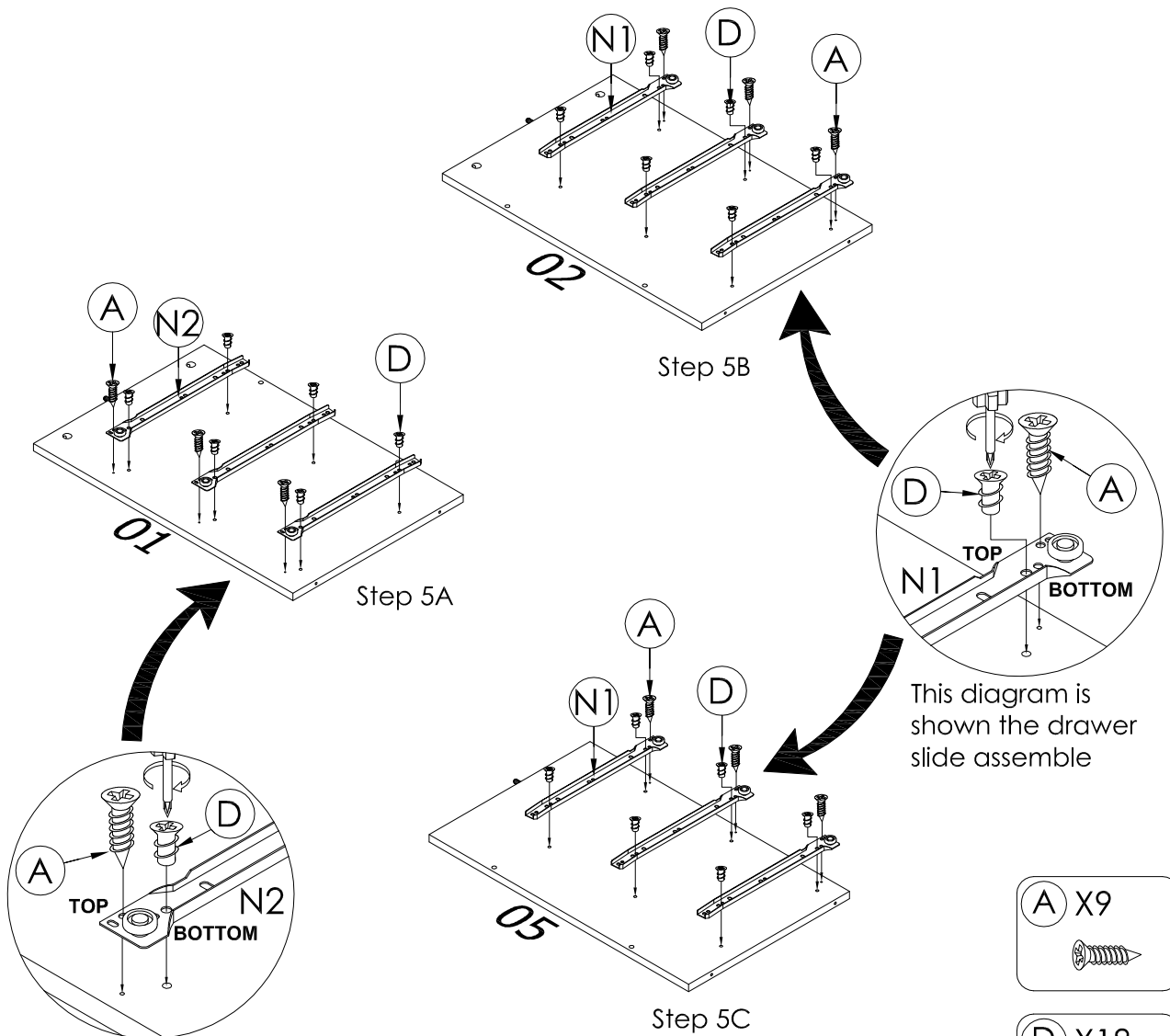
X6



STEP 5

Step 5A Install Drawer Slide CL (N2) to Left Panel (1).
 Step 5B Install Drawer Slide CR (N1) to Right Panel (2).
 Step 5C Install Drawer Slide CR (N1) to Divider Panel (5).
 To install (N1) or (N2):

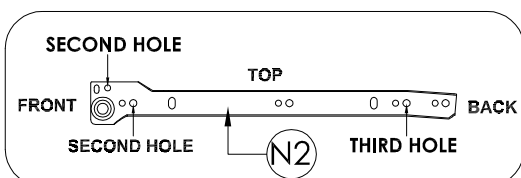
First, place the Side Panel (1 & 2) and Divider Panel (5) as shown.
 Second, use Drawing 5A, 5B and 5C to orientate the placement of (N1) or (N2).
 Third, identify the pilot holes for screws (A & D) on each panel.
 Fourth, place (N1) or (N2) on the respective panels to align the designated screw holes on (N1) or (N2) to the 3 pilot holes on the panel and fasten with screws (A & D). Use a Phillips Screwdriver to drive the screws.
 Do not tighten (A & D) completely until all of the screw are in place on each drawer slide.



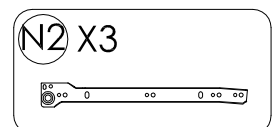
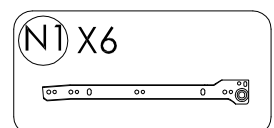
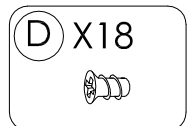
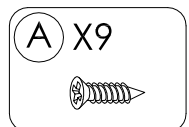
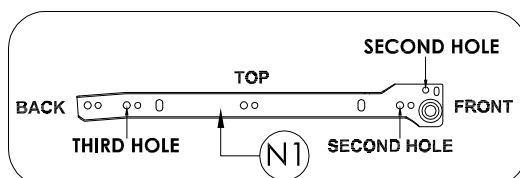
This diagram is shown the drawer slide assemble

This diagram is shown the drawer slide assemble

Drawing 5A



Drawing 5B & 5C



NOTE: BE SURE TO USE THE DESIGNATED SCREW HOLES AS INDICATED FOR SCREW (A & D) TO ENSURE PROPER FIT AND FUNCTION OF THE SLIDE AND DRAWERS.

STEP 6

Step 6A Install Drawer Slide CL (N2) to Divider Panel (5).

To install (N2):

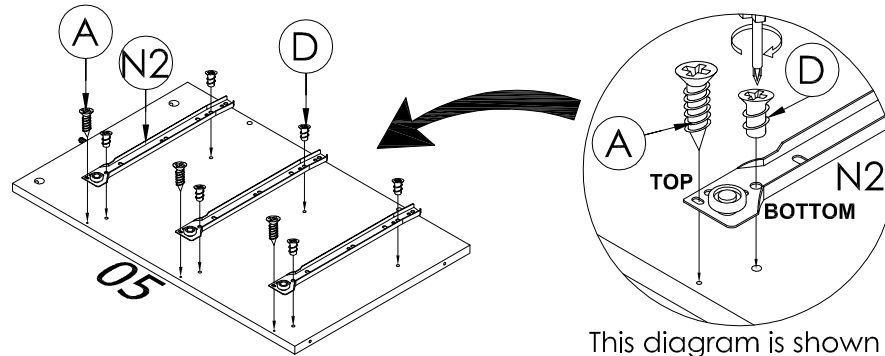
First, place the Divider Panel (5) as shown.

Second, use Drawing 6A to orientate the placement of (N2).

Third, identify the pilot holes for screws (A & D) on (5).

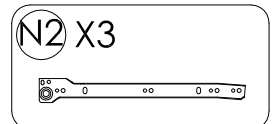
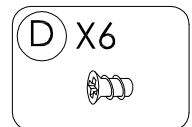
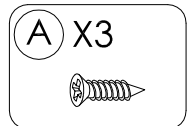
Fourth, place (N2) on (5) to align the designated screw holes on (N2) to the 3 pilot holes on (5) and fasten with screws (A & D). Use a Phillips Screwdriver to drive the screws.

Do not tighten Screw (A & D) completely until all of the screw are in place on each drawer slide.

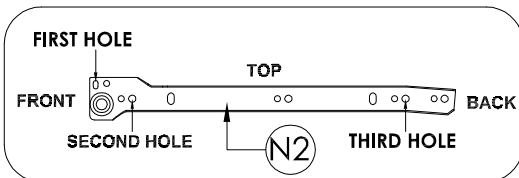


Step 6A

This diagram is shown the drawer slide assemble



Drawing 6A

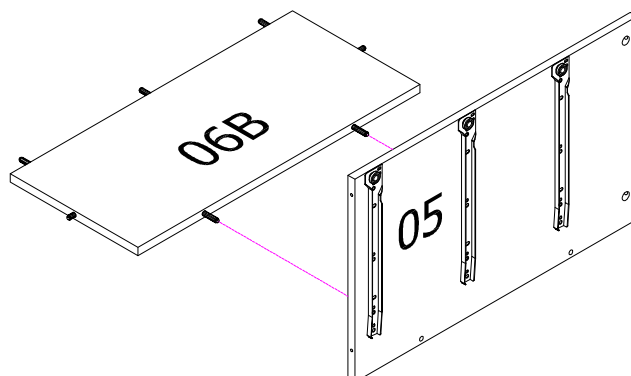


NOTE: BE SURE TO USE THE DESIGNATED SCREW HOLES AS INDICATED FOR SCREW (A & D) TO ENSURE PROPER FIT AND FUNCTION OF THE SLIDE AND DRAWERS.

STEP 7

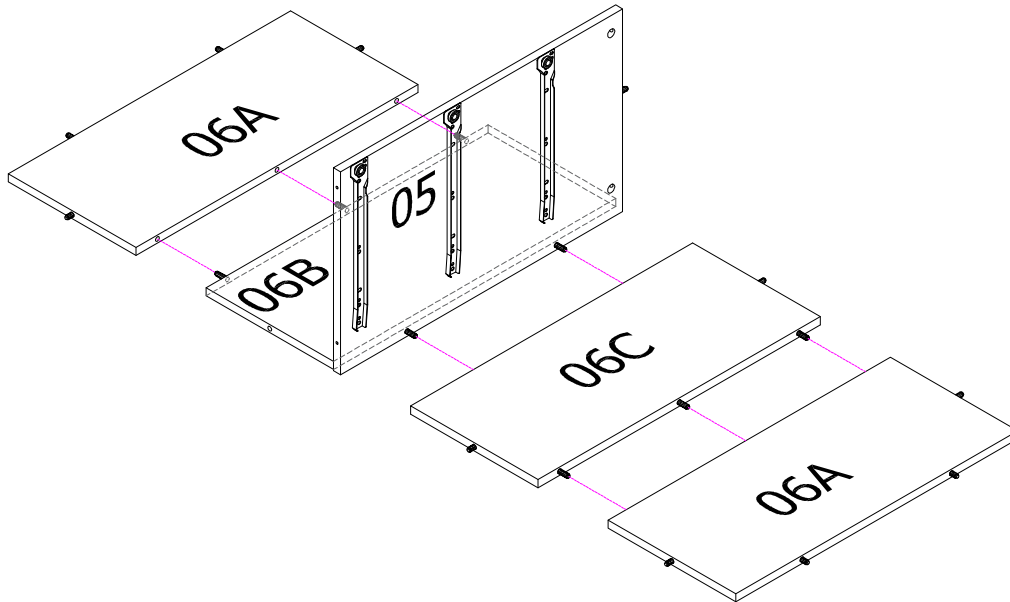
Attach Back Support (6B) to Divider Panel (5) via wood dowel on (6B).

Note: The 2 wood dowels on (6B) will protrude through (5).



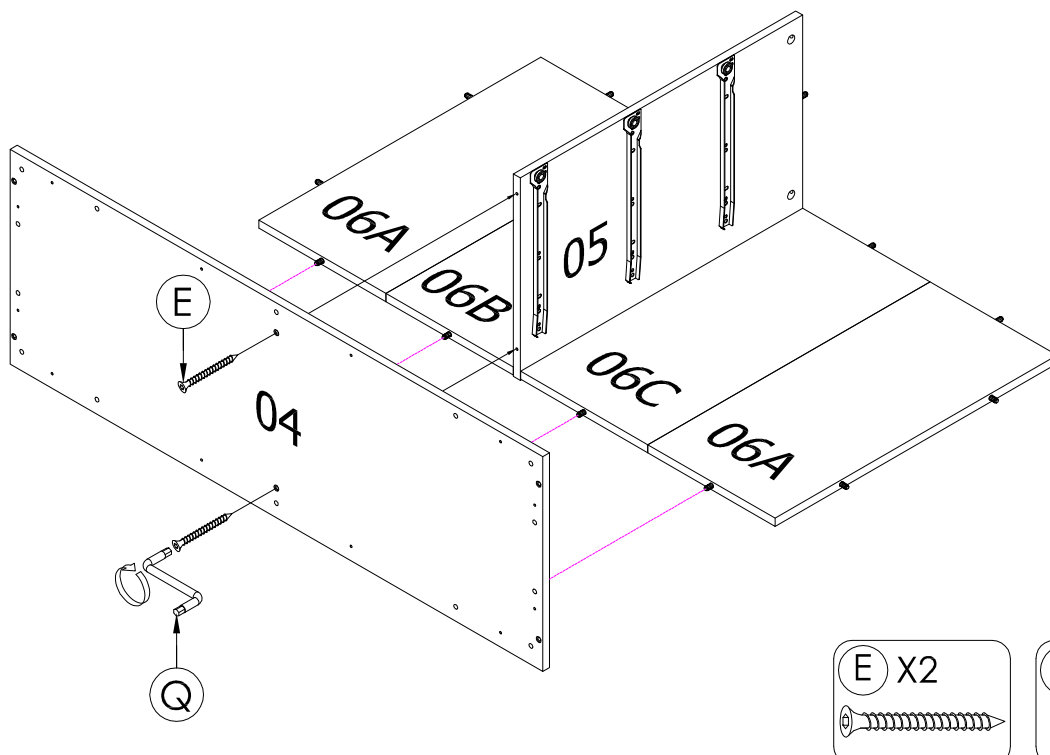
STEP 8

- Attach Back Support (6C) to Divider Panel (5) via the protruded wood dowel from Back Support (6B).
- Next, attach Back Support (6A) to Back Support (6B & 6C) via wood dowel on the respective parts.



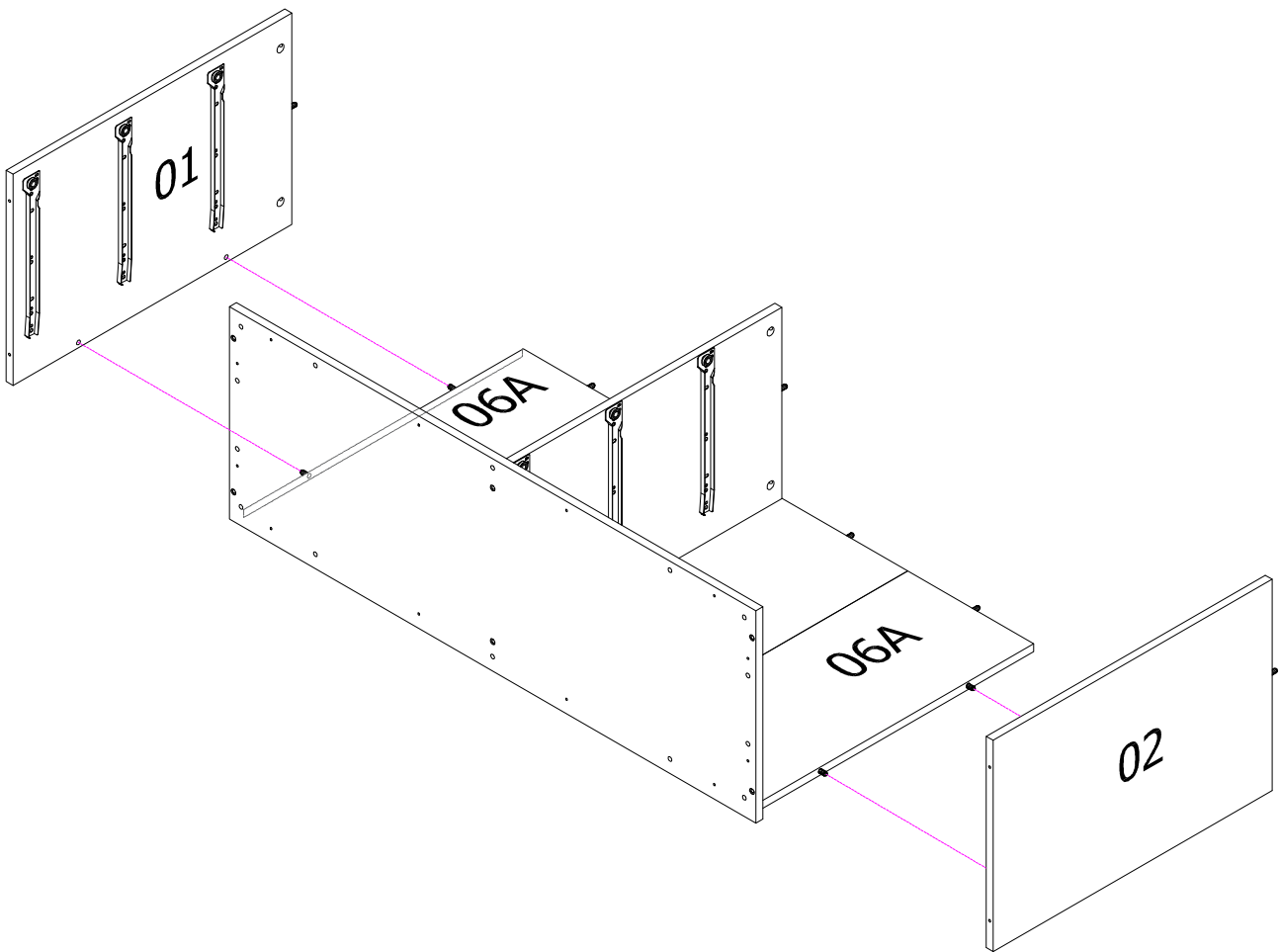
STEP 9

- Attach Bottom Panel (4) to Back Support (6A, 6B & 6C) via wood dowel on (6A, 6B & 6C) as shown.
- Use Screw (E) to fasten (4) to Divider Panel (5). Use Allen Key (Q) to drive Screw (E). Do not tighten Screw (E) completely until both screws are in place on (4).



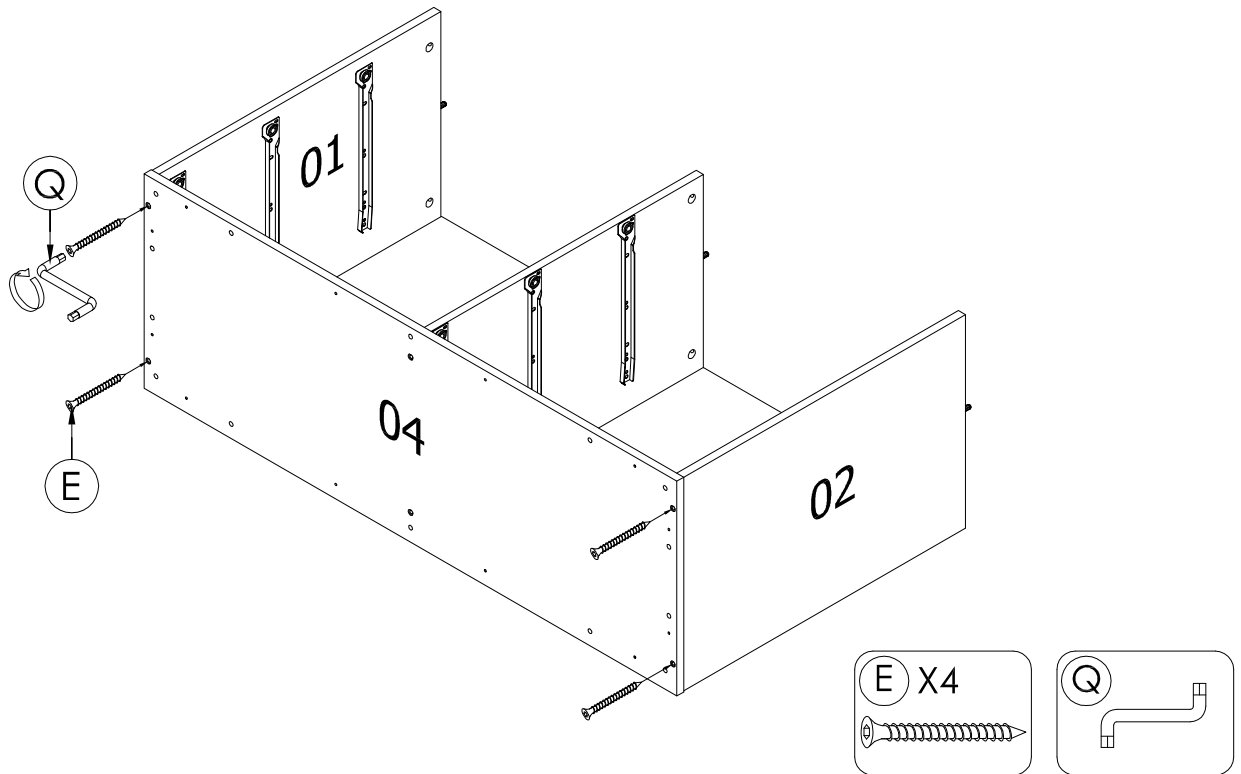
STEP 10

Attach Side Panel (1 & 2) to Back Support (6A) via wood dowel on (6A).



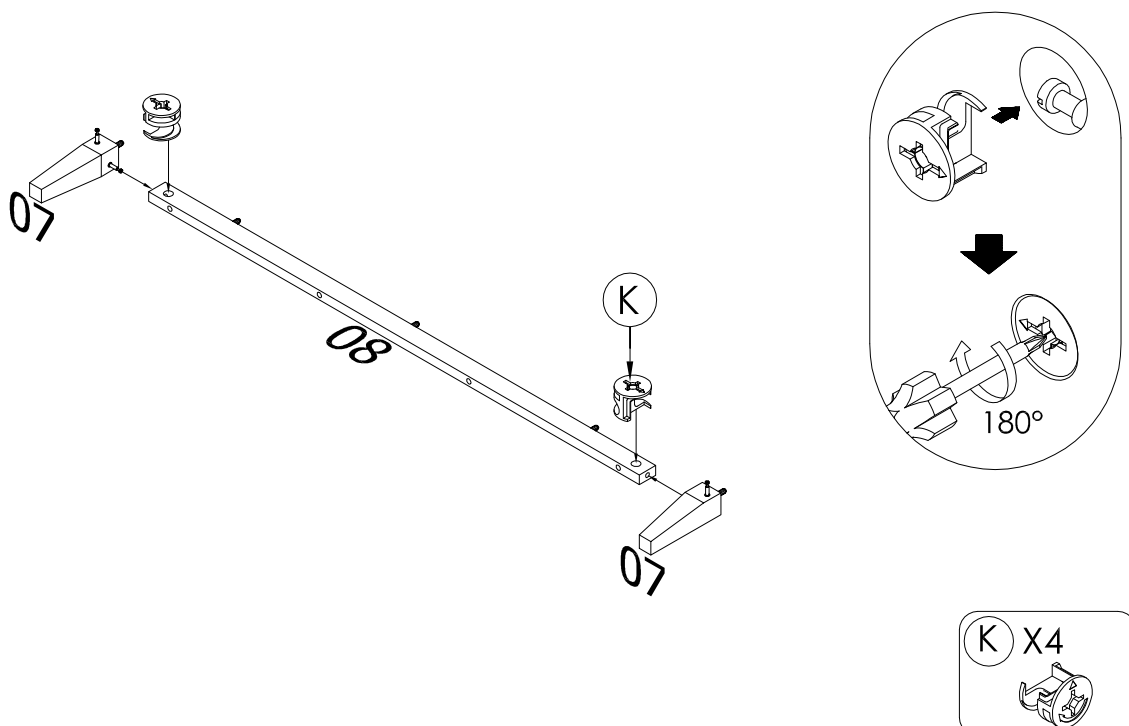
STEP 11

Use Screw (E) to fasten Bottom Panel (4) to Side Panel (1 & 2). Use Allen Key (Q) to drive Screw (E). Do not tighten Screw (E) completely until both screws are in place at each end of (4). Set assembly aside until STEP 14.



STEP 12

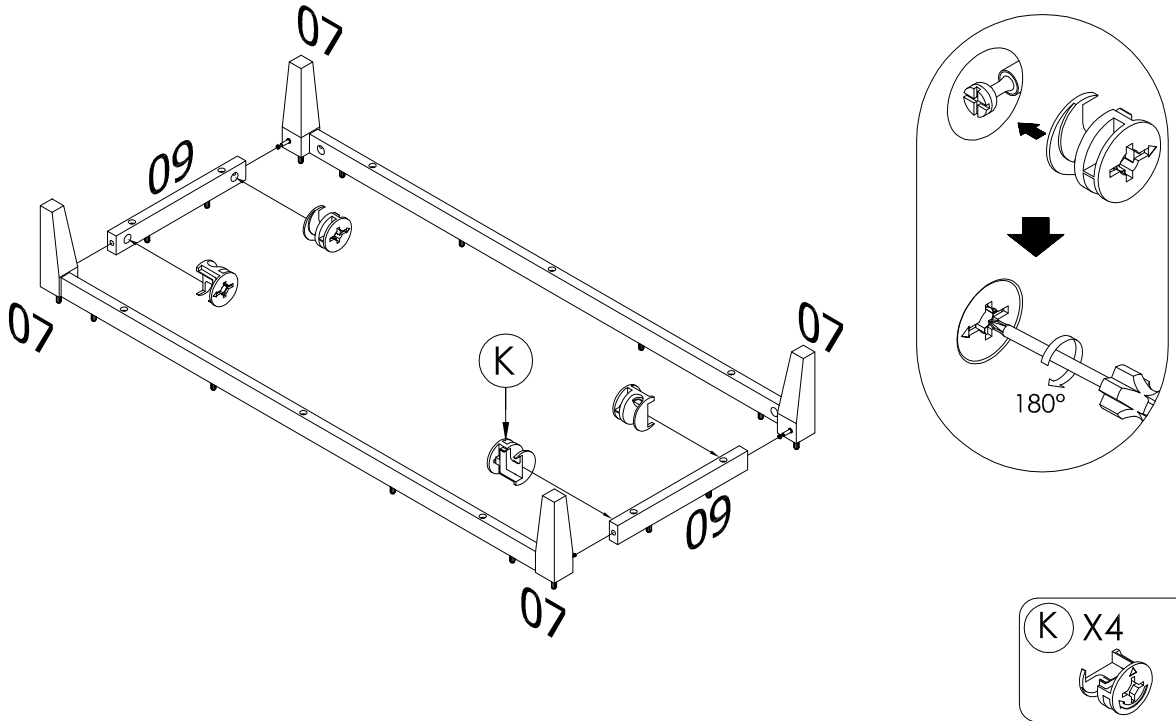
- Attach Wooden Leg (7) to Front/Rear Bottom Apron (8) via cam-bolt on (7). Note the orientation of (7 & 8).
- Insert Cam-lock (K) into designated holes on (8) and turn clockwise to lock onto cam-bolt.



X2

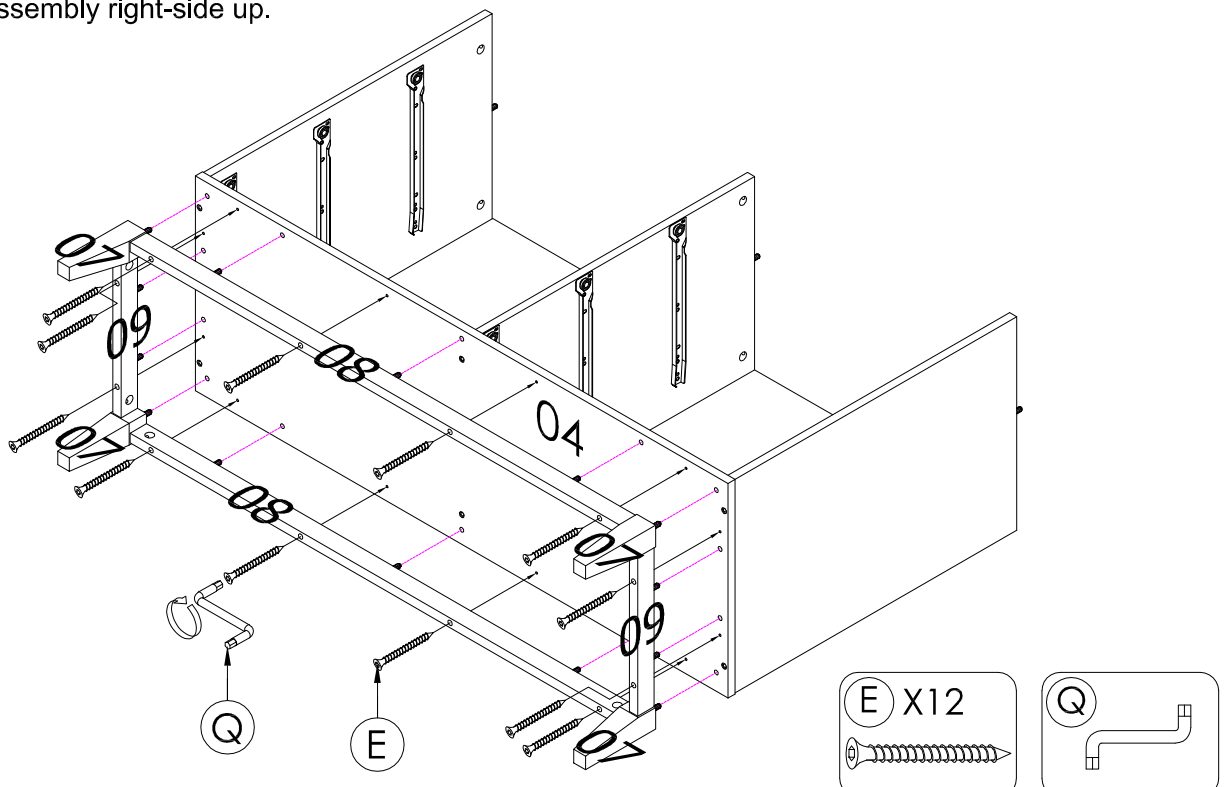
STEP 13

- Attach Left/Right Bottom Apron (9) to leg assembly from STEP 12 via cam-bolt on Leg (7). Note the orientation of (9).
- Insert Cam-lock (K) into designated holes on (9) and turn clockwise to lock onto cam-bolt.



STEP 14

- Attach Bottom Leg Frame assembly from Step 13 to Bottom Panel (4) from Step 11 as shown.
- Use Allen Key (Q) to drive Screw (E) to fasten Bottom Leg Frame to Bottom Panel (4).
- Do not tighten Screw (E) completely until both screws are in place on each panel.
- Set the assembly right-side up.

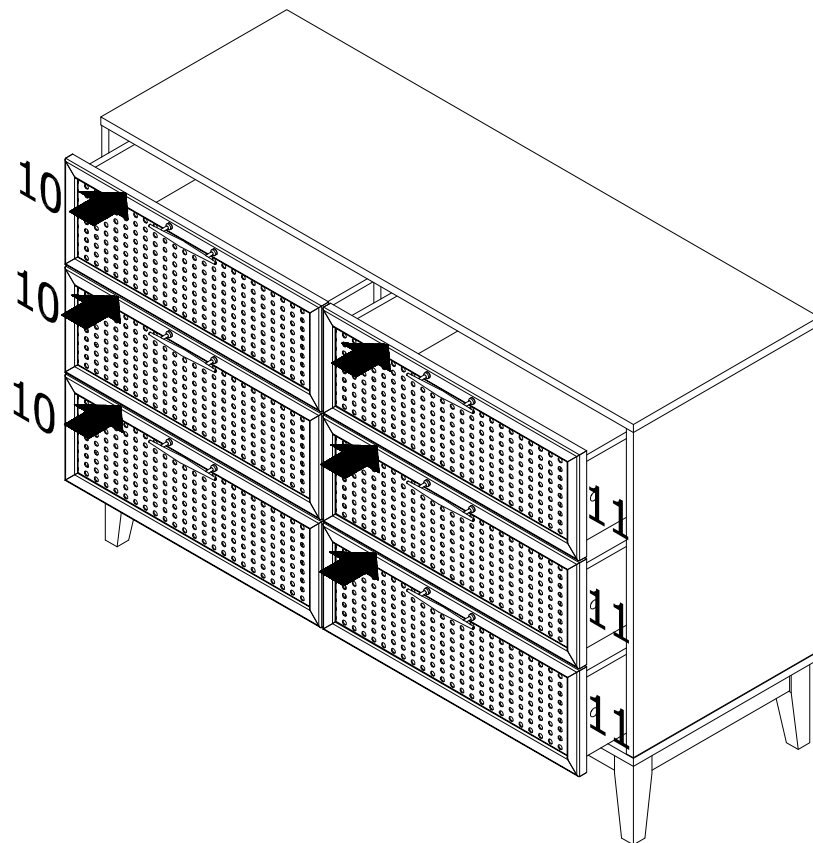


STEP 16

Note: Be sure the drawer with the Drawer Front Left Panel (10) on the Left, the drawer with the Drawer Front Right Panel (11) on the Right - otherwise the front of the drawers may not be aligned or fit properly.

Insert the drawers.

To insert drawer, position rollers on the drawer slide (on each side of the drawer) above the rollers on the slide located on the Side Panels. Lift the Back Panel end of the drawer slightly upward to slide the rollers on the Drawer into the drawer slide on the panels, and then push in the drawer gently.



STEP 17

ANTI-TIP KIT AND INSTALLATION

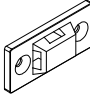



WARNING

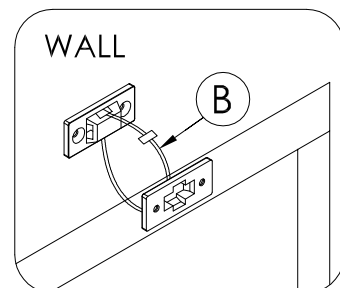
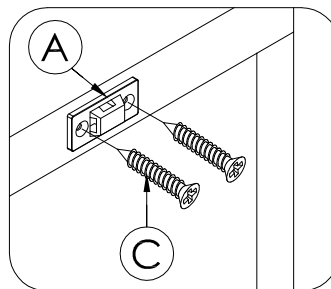
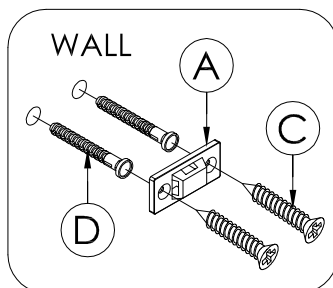
Serious or fatal injuries can occur when furniture is not secured and tipover. To prevent tipover :

- 1) Install anti-tip kit provided.
- 2) Place heavier items in lower drawers or shelves.
- 3) Unless specifically designed to accommodate, do not place TVs or heavy objects on top of this product.
- 4) Never allow children to climb or hang on this product or any part of the product including, drawers, shelves or doors.
- 5) Never open more than one drawer at a time.
- 6) Do not deactivate or remove any drawer interlock system.

Use of tip-over restraints only reduces and does not eliminate the risk of tipover.

Parts and Hardware List

PIECE	DESCRIPTION	PICTURE	QUANTITY
A	Wall Bracket		4 PCS
B	Nylon Strap		2 PCS
C	Screw		8 PCS
D	Plastic Screw Anchor		4 PCS



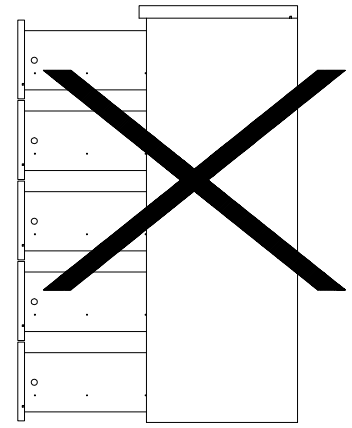
Installation Steps:

1. Use Screw (C) to fasten Mounting Bracket "A" to the center of back top edge of the Top Panel.
2. Mark the location on the wall for mounting the second set of bracket "A" which need to be at the same level as Bracket (A) on the back edge of Top Panel and drill 2 holes in the wall as per the length and diameter of Plastic Anchor (D).
3. Insert (D) into the drilled holes and fasten (A) to the wall with Screw (C).
4. Place the furniture so the brackets on the back edge of Top panel is aligned with the bracket on the wall.
5. Lace the end of the Nylon Strap (B) through each of the bracket. Bring both ends together and slide the beaded end of the strap through the keyhole-shaped slot on the other end. Pull down on the beaded end until it snap-locked into the keyhole-shaped slot.
6. Check to make sure the strap is securely laced and locked to the brackets.

The anti-tipping installation is complete.

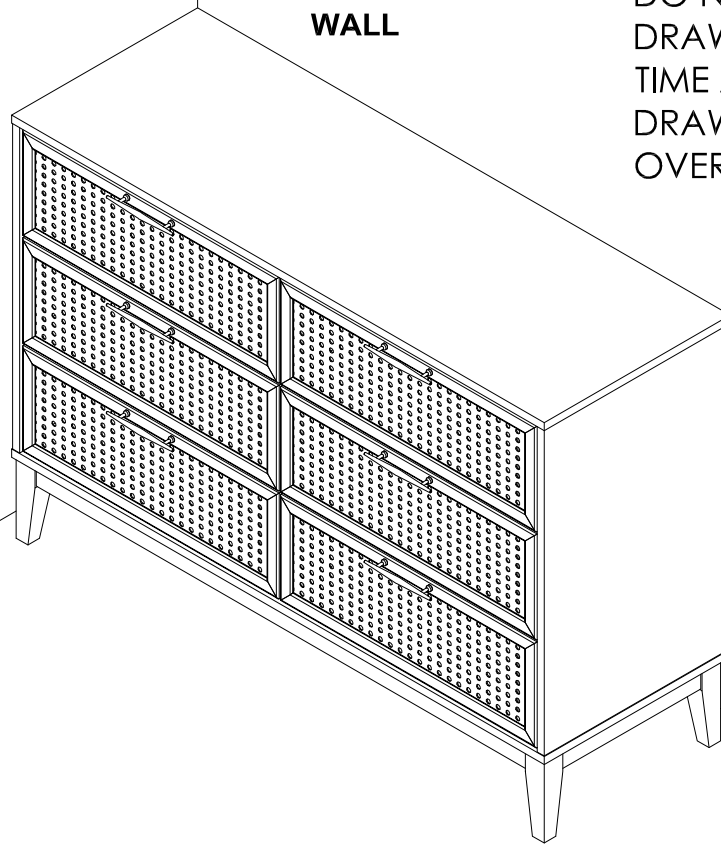
STEP 18

Refer to Step 17 for the Anti-Tip Kit installation.



CAUTION:
DO NOT OPEN ALL THE
DRAWERS AT THE SAME
TIME AS IT WILL CAUSE THE
DRAWER DRESSER TO TIP
OVER.

WALL



The assembly of the Dresser is complete.