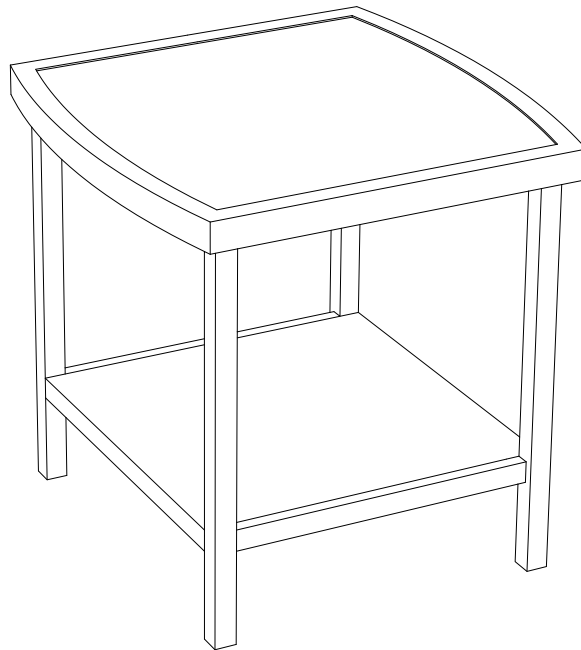
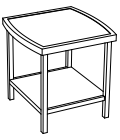


Outdoor Side Table

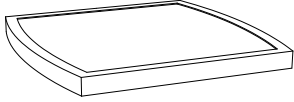
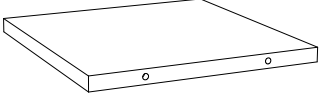







Read the instructions before use of this product.




Please keep this instruction manual for future reference.



PARST & HARDWARE LIST

Part	Description	Description	Qty
A		Table Top	1PC
B		Bottom Panel	1PC
C		Table Leg	2PCS
E	 M6*15	Bolt M6*15	8PCS
F	 M6*30	Bolt M6*30	4PCS
G	 M6	Washer	12PCS
H		Allen Wrench	1PC



EXTRA			
Part	Description	Description	Qty
E	 M6*15	Bolt M6*15	1PC
F	 M6*30	Bolt M6*30	1PC
G	 M6	Washer	2PCS

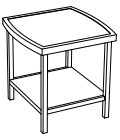
ATTENTION:

Keep children away during assembly. This item contains small parts that can be dangerous for children. Children should always be under direct adult supervision while using this product.

Do not discard any of the packaging until you have checked that you have all of the parts and fittings required.

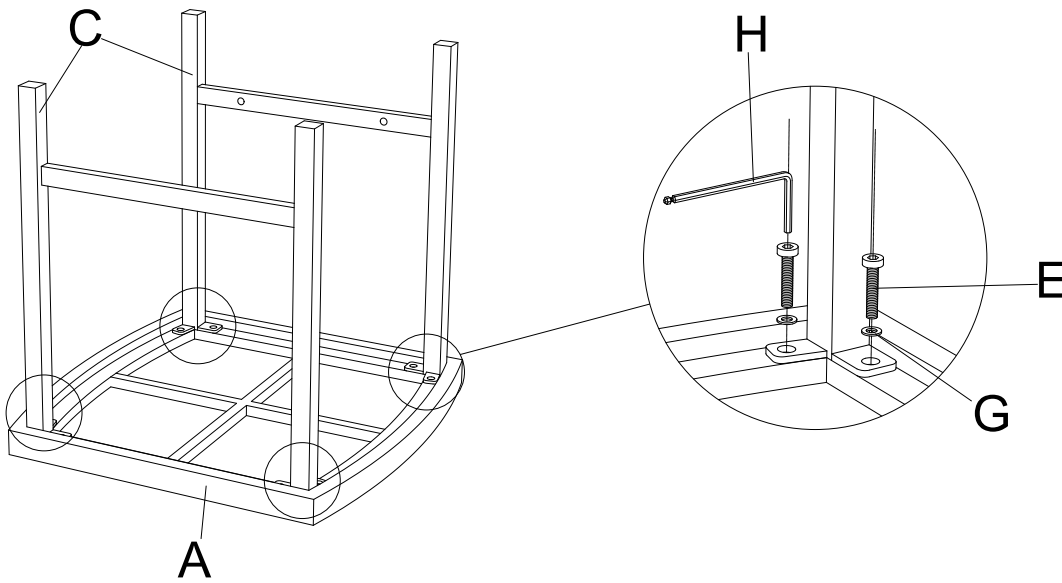
Carefully remove the contents from the package. If any parts are missing, do not attempt to use the product until they have been obtained.

Make sure that each bolt needed for all steps matches the corresponding figure ensure proper assembly.



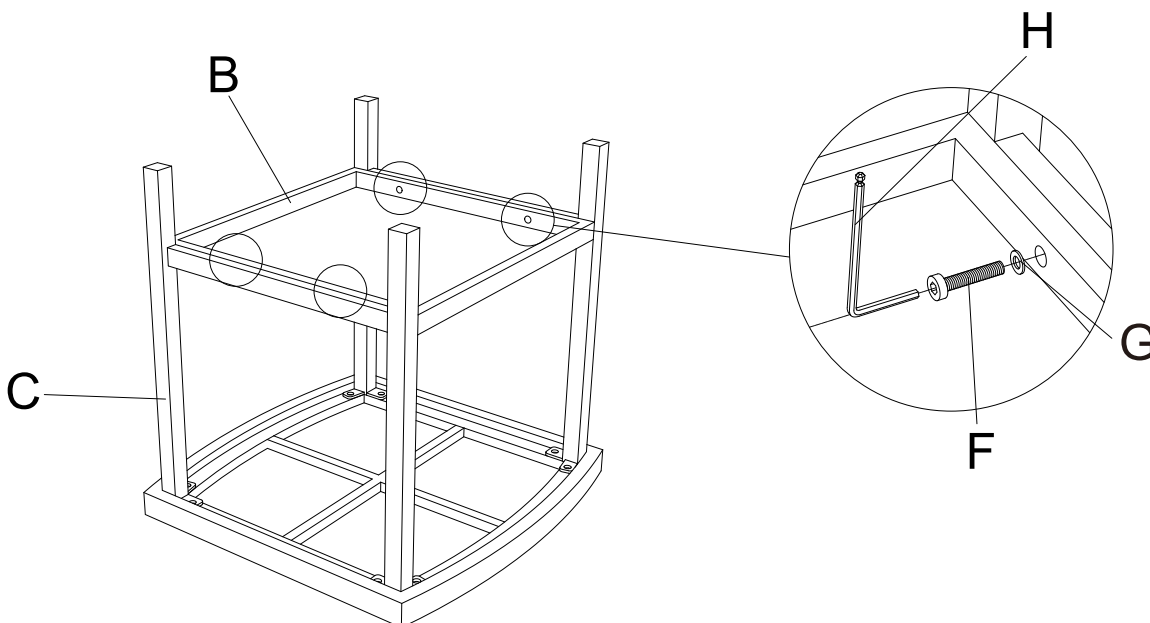
Step 1. Lay table top (A) down on a soft flat surface, such as carpet, as shown below. Attach table legs (C) to table top (A) using bolts M6*15 (E), washers M6 (G) and allen wrench (H).

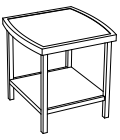
NOTE: Please do not fully tighten bolts until unit is fully assembled.



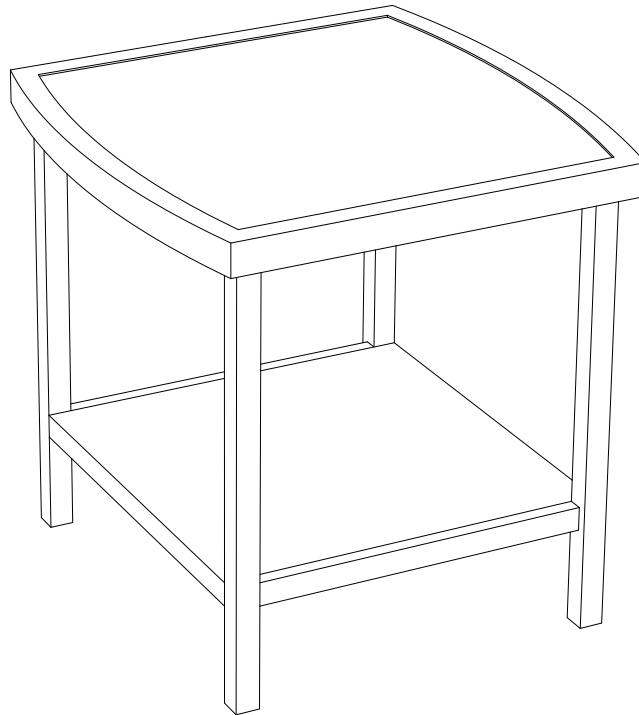
Step 2. Attach bottom panel (B) to table legs (C) using bolts M6*30 (F), washers M6 (G) and allen wrench (H).

NOTE: Please fully tighten all bolts at this time.





Step 3. Carefully turn unit upright.



Cleaning and Maintenance

Clean frame with mild soapy water, rinse thoroughly. Dry frame parts completely. Do not use bleach, acid, or other solvents on the fabric and metal parts. We recommend the use of furniture covers to protect the Arm Chiar when not in use.

Inspect and tighten all bolts on a regular basis to ensure proper performance and safety.

In order to prolong the life and beauty of your Arm Chiar, we recommend storing it in a dry and protective area during off season periods.