

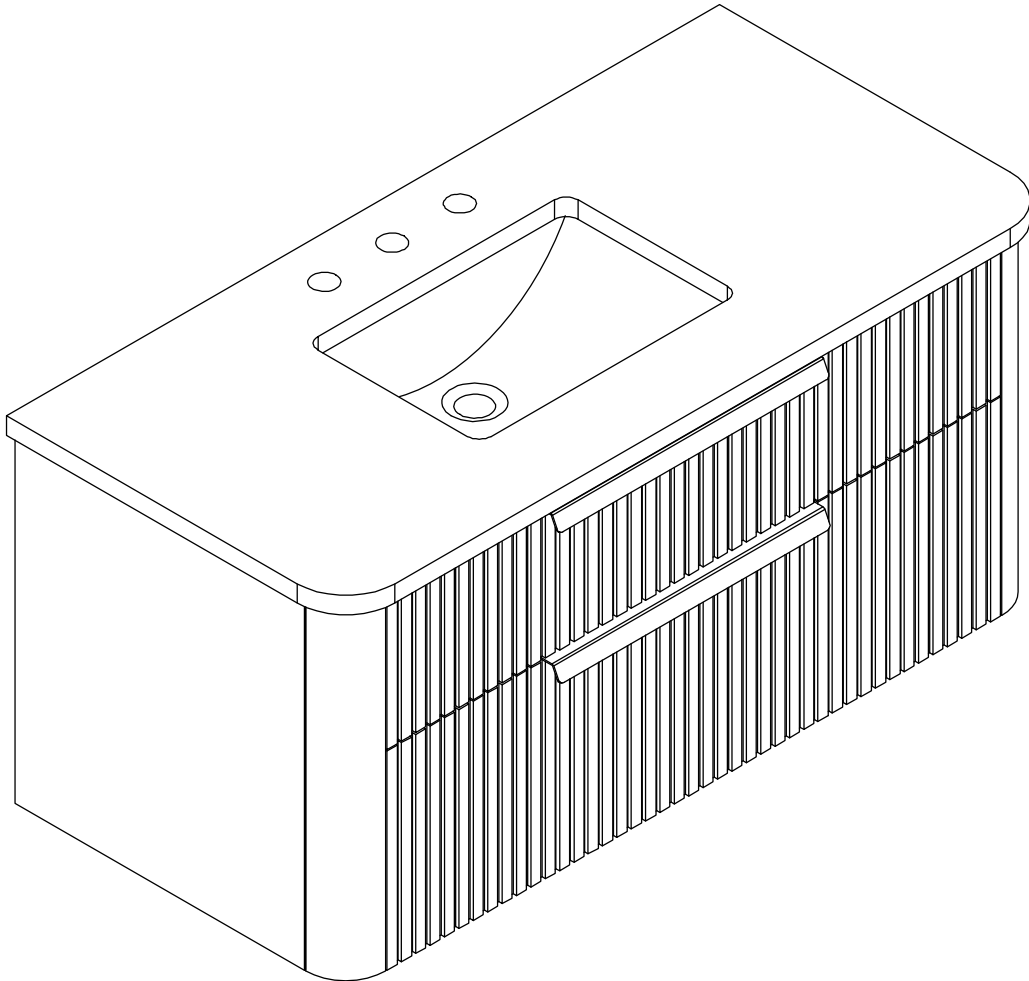
## ***Thank you for Shopping with us!***

***We hope we were able to provide your home with the perfect vanity. This vanity has been constructed with design, quality and functionality in mind. We hope you enjoy this new addition!***

***Your feedback is invaluable to us and we would love to hear about your experience. Please take the time to leave us a review.***

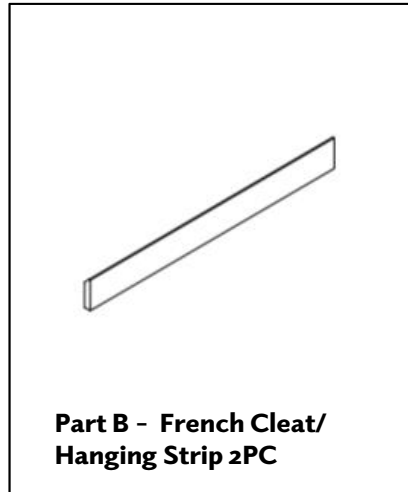
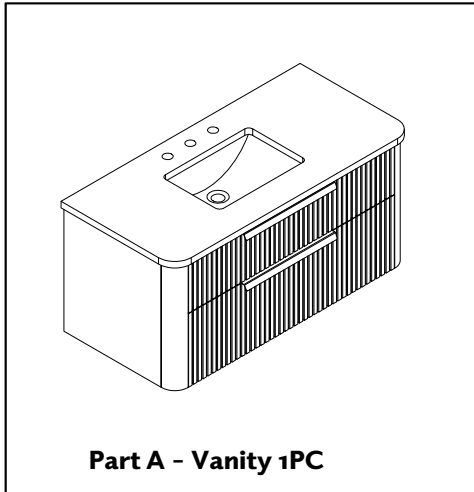
---

**We encourage you to take a few minutes to go through this booklet. It contains important information on installation and care tips to keep your furniture looking as good as new.**



Before assembly and installation, please check and ensure you received the items in the below "Part List". Please report any missing items.

## Part List

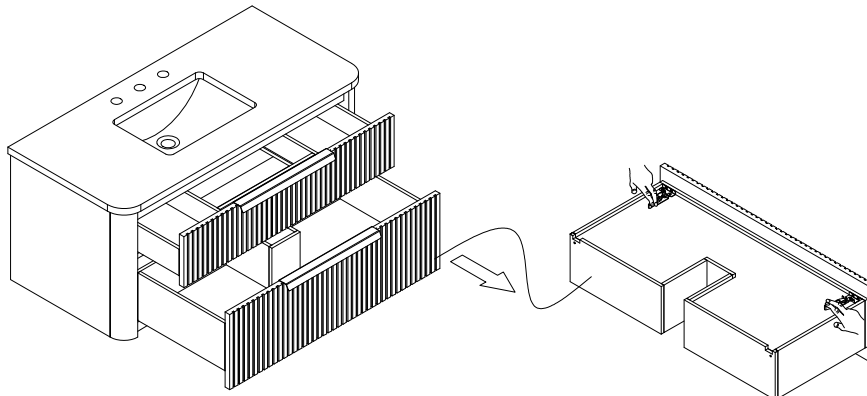


## NOTES AND INSTALLATION

- Faucet, drain, silicone and all other plumbing components, tools & hardware are not included.
- Power tools such as a power drill will be required along with additional hardware and appropriate wall anchors.
- Handling will require two people.
- Ensure all building & plumbing codes are respected. Professional installation recommended.
- Total vanity weight is 158.4 lbs, ensure wall structure is reinforced and hanging hardware can support this weight as well as any additional weight.

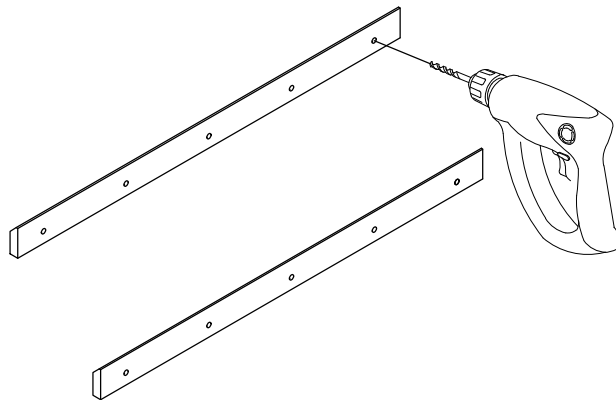
## STEP 1

- The drawers need to be removed for plumbing installation. Locate the clips on both sides of the bottom of the drawer, press the clips and pull the drawer out.

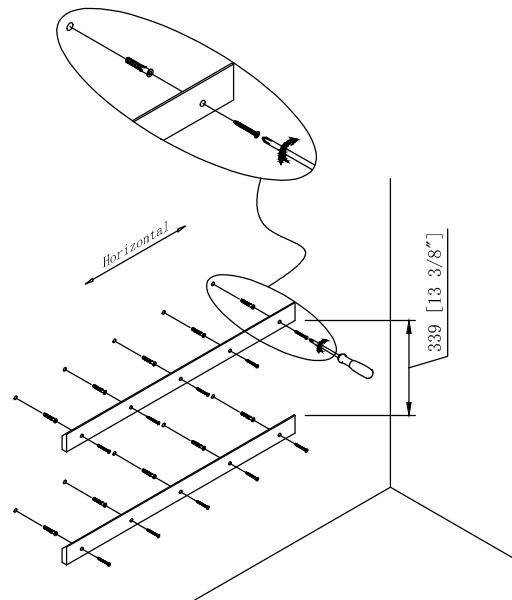
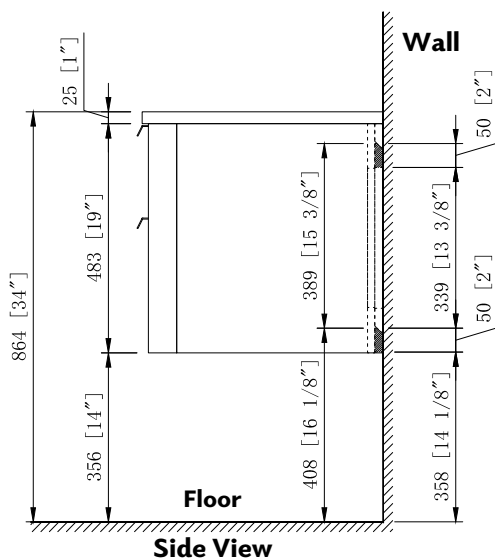


## STEP 2

- Determine the desired location of the vanity and ensure the wall can support the vanity weight.
- Align and level the french cleats. The suggested distance from the finished floor to the top of the upper french cleat will be 31.38", if desired finished height of the vanity is 34" from the floor to the top of the finished countertop surface.
- Pre-drill 5 holes into the french cleats according to the position of the studs on the walls prior to placing on the wall using the appropriate hardware.

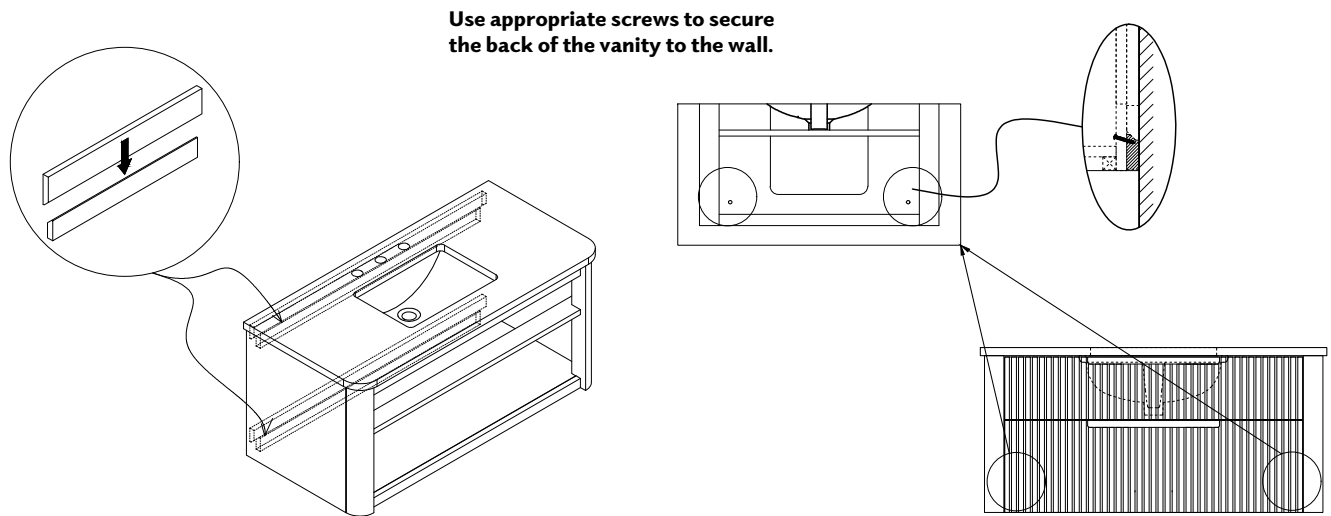


- The height distance between two french cleats must be 339mm (13.38 inch) from the bottom of the upper cleat to the top of the lower cleat.
- Install the french cleat to the wall by securing it to the wall studs and/or using appropriate hardware suitable for the wall it is being installed on. If installing on drywall, use a stud finder to locate the studs and secure the hanging french cleats to at least 2 studs using screws and wall anchors suitable for the weight.



## 42" Bathroom Vanity

- Once the wall-mounted french cleats are secure, align the vanity's french cleats and lower it onto the wall cleats. Slide the vanity into the desired position.
- Once in the desired position, permanently secure the vanity to the wall with the use of screws. Drill screws downward from inside the vanity, through its back panel, and into the wall-mounted french cleat
- The screws must go through at an angle to the back panel and the French cleat on the wall. (see diagram)
- The required screws minimum length is between 25mm to 30mm (1" to 1.2") and a diameter of 4mm (0.16")



### STEP 3

- Install the faucet and all plumbing.
- Reinsert the drawer by aligning the two sides of the drawer glides and slide it until fully inserted.
- Once the drawer has been inserted, check to ensure that the drawer moves with ease. If it does not, this would most likely be due to an alignment issue, which can be easily resolved by leveling the drawers. Drawer can be leveled by sliding the small adjustment knob forward or backward. This can raise or lower the drawer.

