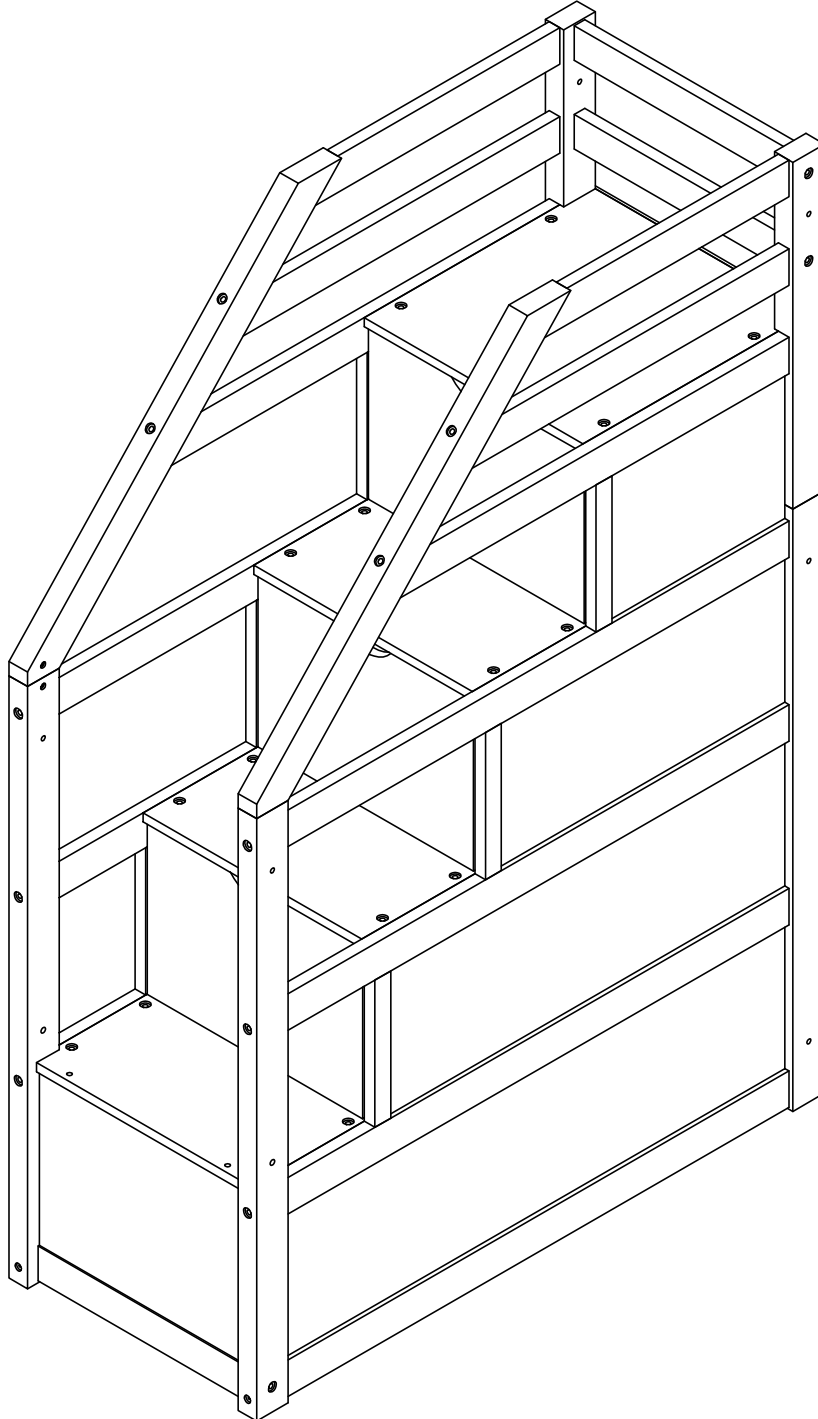


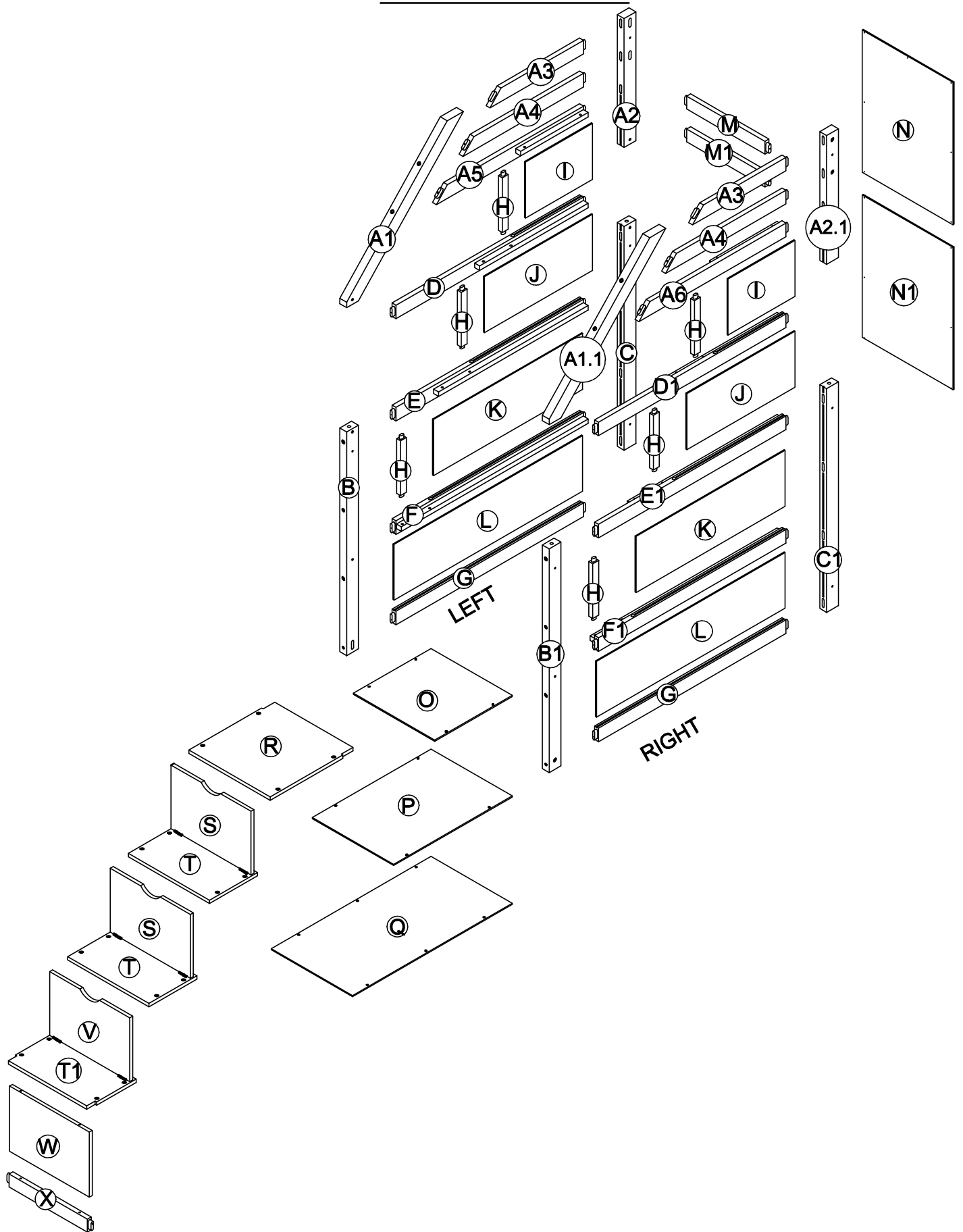
# STORAGE STAIRCASE

## WF286533

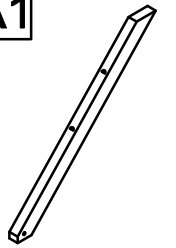
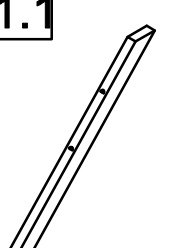


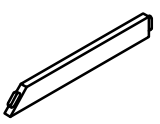
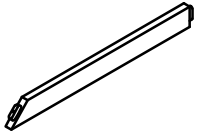
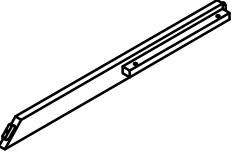
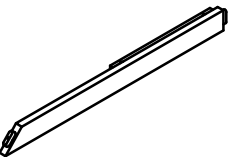




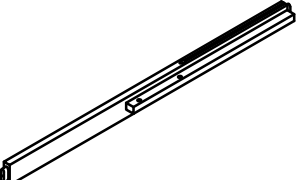
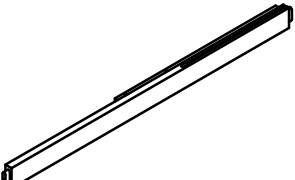
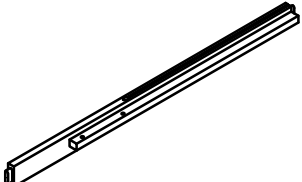

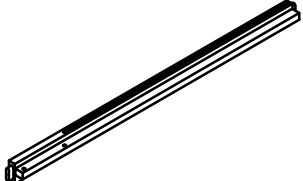

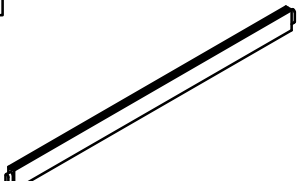

**This set is included 3 boxes if don't receive full 3 boxes please contact our customer service team**



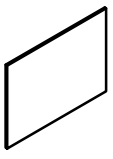
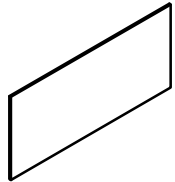
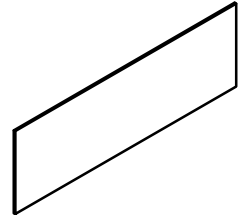
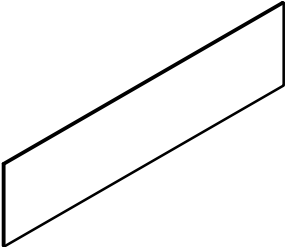
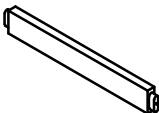
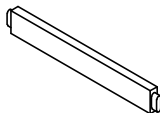
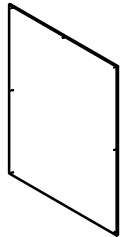
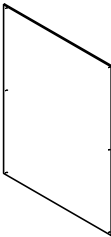
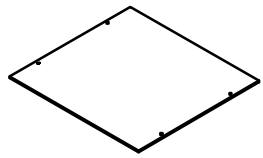
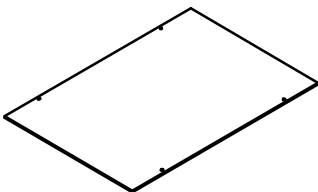
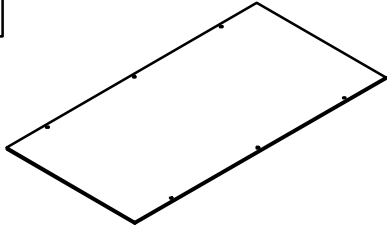
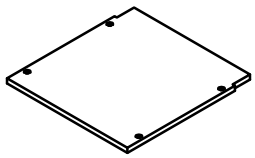
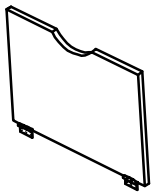
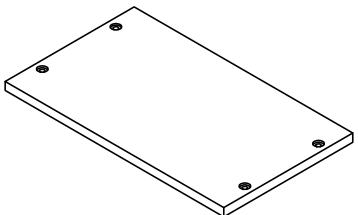
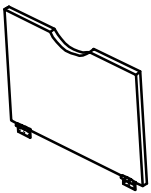
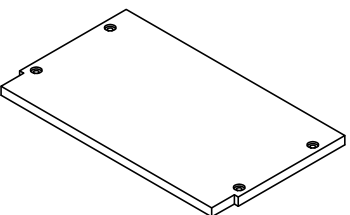
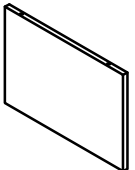
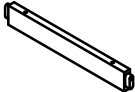
# DetailView



# PART LIST

<p><b>A1</b></p>  <p>Upper HB - 1Pcs</p>	<p><b>A1.1</b></p>  <p>Upper HB - 1Pcs</p>	<p><b>A2</b></p>  <p>Upper HB - 1Pcs</p>	<p><b>A2.1</b></p>  <p>Upper HB - 1Pcs</p>	<p><b>A3</b></p>  <p>Upper HB - 2Pcs</p>
<p><b>A4</b></p>  <p>Upper HB - 2Pcs</p>	<p><b>A5</b></p>  <p>Upper HB - 1Pcs</p>		<p><b>A6</b></p>  <p>Upper HB - 1Pcs</p>	
<p><b>B</b></p>  <p>Leg HB(Front-left) - 1Pcs</p>	<p><b>B1</b></p>  <p>Leg HB(Front-Right) - 1Pcs</p>	<p><b>C</b></p>  <p>Leg HB(Black-Left) - 1Pcs</p>		
<p><b>C1</b></p>  <p>Leg HB(Black-Right) - 1Pcs</p>	<p><b>D</b></p>  <p>Horizontal bar(Left) - 1Pcs</p>		<p><b>D1</b></p>  <p>Horizontal bar(Right) - 1Pcs</p>	
<p><b>E</b></p>  <p>Horizontal bar(Left) - 1Pcs</p>	<p><b>E1</b></p>  <p>Horizontal bar(Right) - 1Pcs</p>		<p><b>F</b></p>  <p>Horizontal bar(Left) - 1Pcs</p>	
<p><b>F1</b></p>  <p>Horizontal bar(Right) - 1Pcs</p>	<p><b>G</b></p>  <p>Horizontal bar - 2Pcs</p>		<p><b>H</b></p>  <p>Horizontal bar - 6Pcs</p>	

# PART LIST

<p><b>I</b></p>  <p>Side Panles(L&amp;R) - 2Pcs</p>	<p><b>J</b></p>  <p>Side Panles(L&amp;R) - 2Pcs</p>	<p><b>K</b></p>  <p>Side Panles(L&amp;R) - 2Pcs</p>
<p><b>L</b></p>  <p>Side Panles(L&amp;R) - 2Pcs</p>	<p><b>M</b></p>  <p>Horizontal bar - 1Pcs</p>	<p><b>M1</b></p>  <p>Horizontal bar - 1Pcs</p>
<p><b>N</b></p>  <p>Back panel - 1Pcs</p>	<p><b>N1</b></p>  <p>Back panel - 1Pcs</p>	<p><b>O</b></p>  <p>Side panel - 1Pcs</p>
<p><b>P</b></p>  <p>Side panel - 1Pcs</p>	<p><b>Q</b></p>  <p>Side panel - 1Pcs</p>	<p><b>R</b></p>  <p>Side panel - 1Pcs</p>
<p><b>S</b></p>  <p>Side panel - 2Pcs</p>	<p><b>T</b></p>  <p>Side panel - 2Pcs</p>	<p><b>V</b></p>  <p>Side panel - 1Pcs</p>
<p><b>T1</b></p>  <p>Side panel - 1Pcs</p>	<p><b>W</b></p>  <p>Side panel - 1Pcs</p>	<p><b>X</b></p>  <p>Horizontal bar - 1Pcs</p>

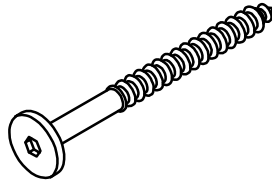
# HARDWARE LIST

1



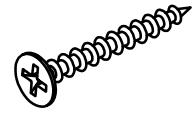
Wood Dowel Ø8 x 30  
4Pcs

2



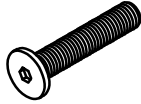
Screw 1/4" x 80 mm  
26pcs

3



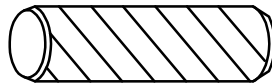
Screws M4 x 30mm  
8Pcs

4



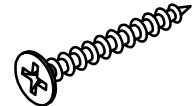
Bolts 1/4" x 30(16pcs)

5



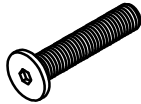
Wood Dowel Ø12 x 70  
4Pcs

6



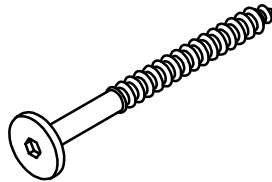
Screw M4 x 15mm(14pcs)

7



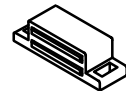
Bolts 1/4" x 45(5pcs)

8



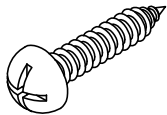
Screw 1/4" x 60 mm  
4pcs

9



Door Catches(45x17x13)  
6pcs

10



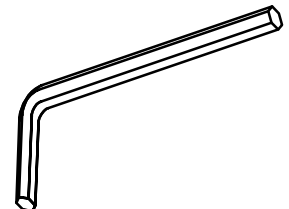
Screw M4 x 15 mm  
12pcs

11



Pan Head Screw M3 x 15 mm  
13pcs

12

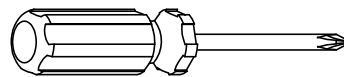


Allen Key - 1Pc

13

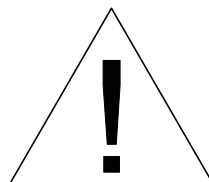


Screw M3 x 12 mm  
18pcs




Assembly Tools Required (Not Included)

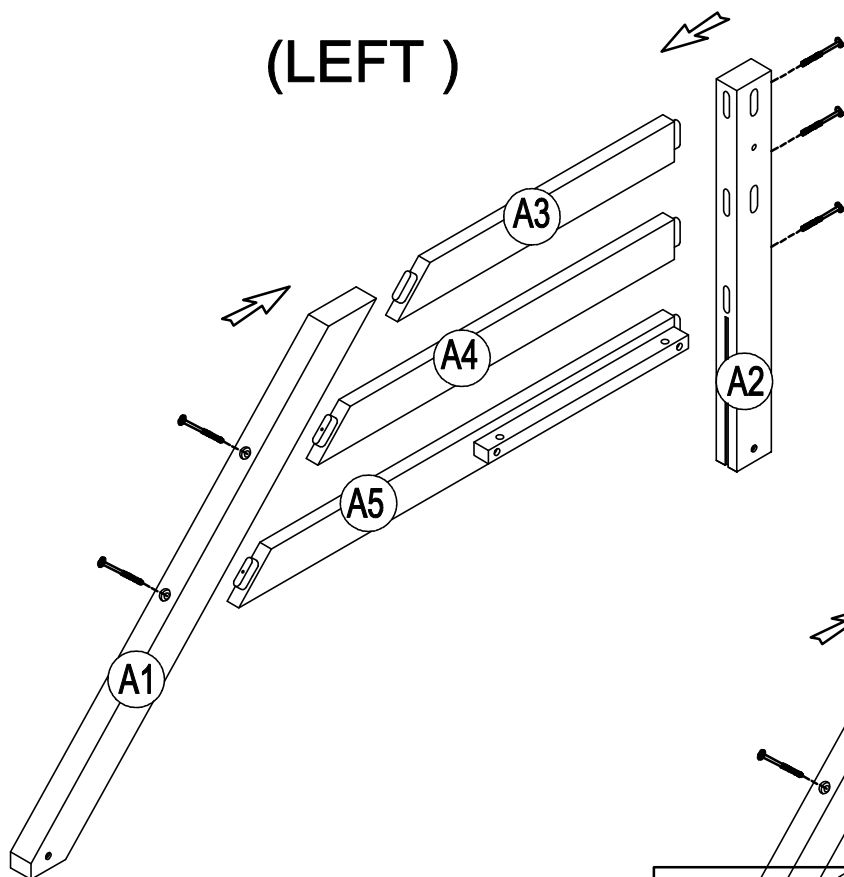
**PLEASE BE CAREFUL DO NOT DAMAGE THE HOLE  
POSITION WHEN YOU USE POWER TOOLS!**



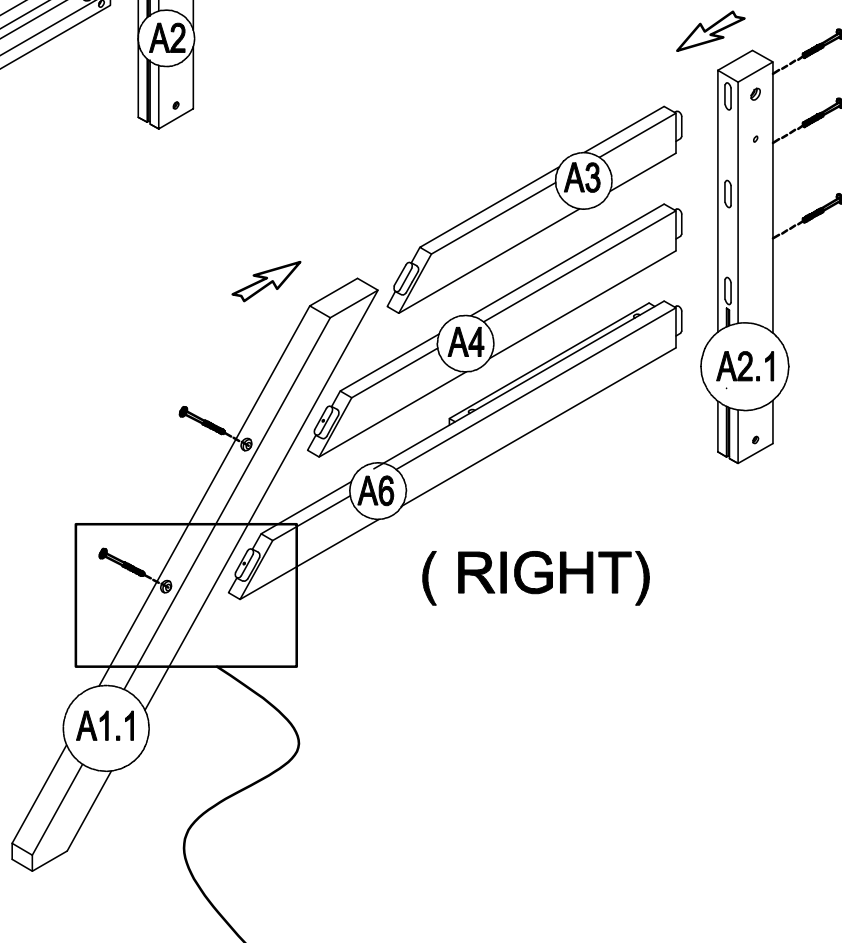
# STEP 1:

**2**  
  
**10 PCS**

( LEFT )

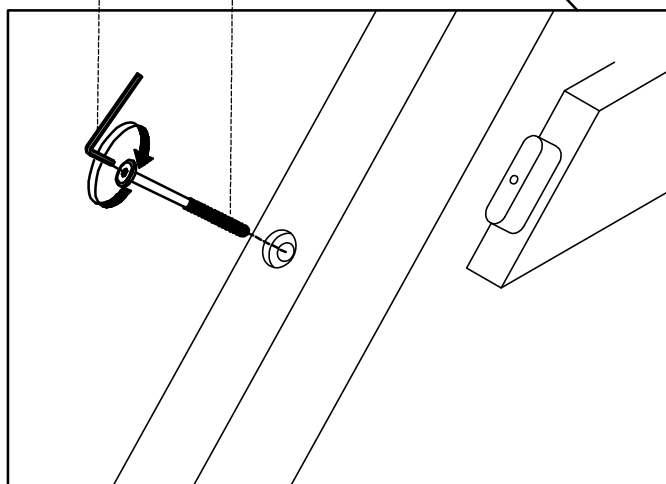


( RIGHT )

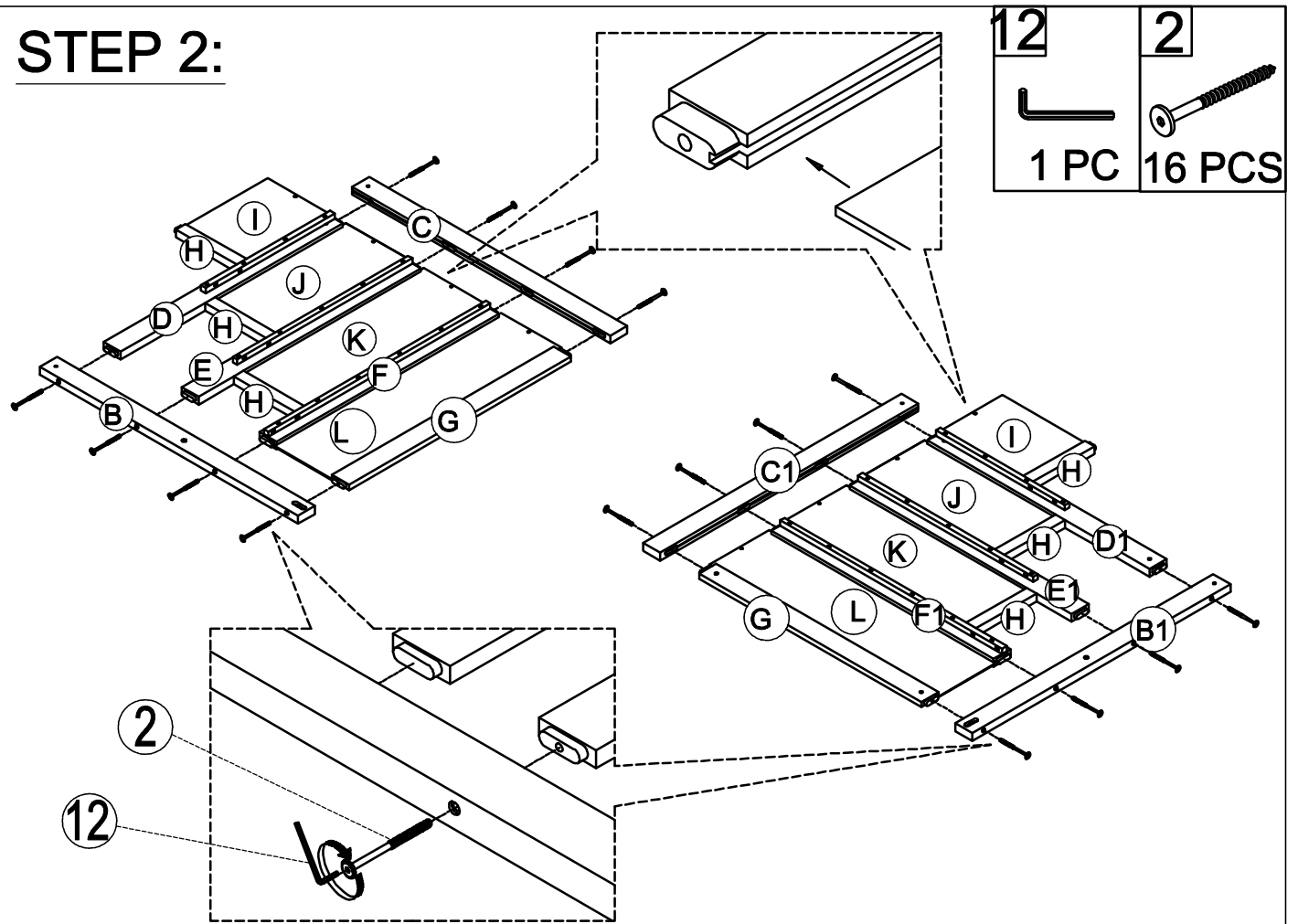


12

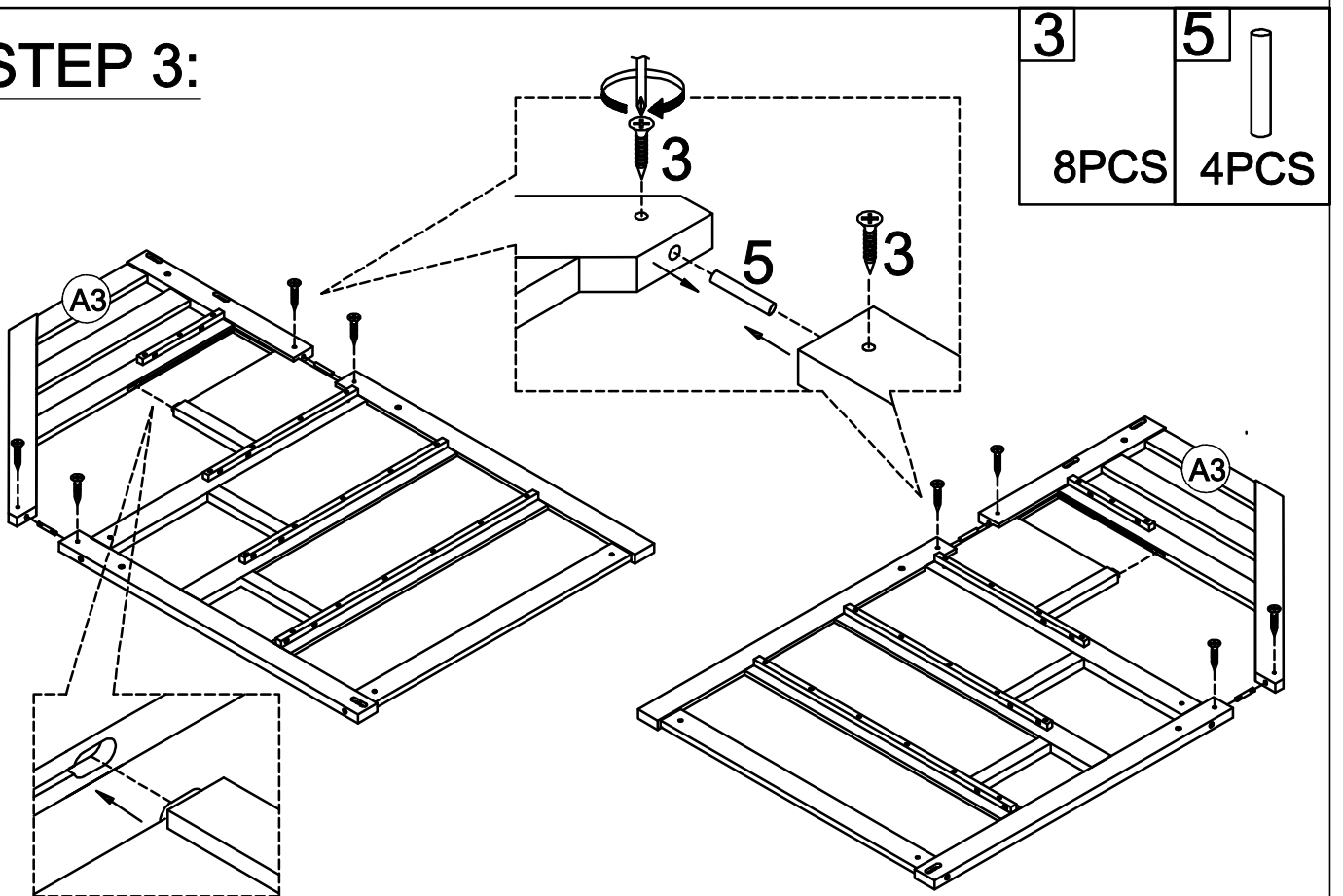
2



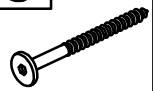
# STEP 2:

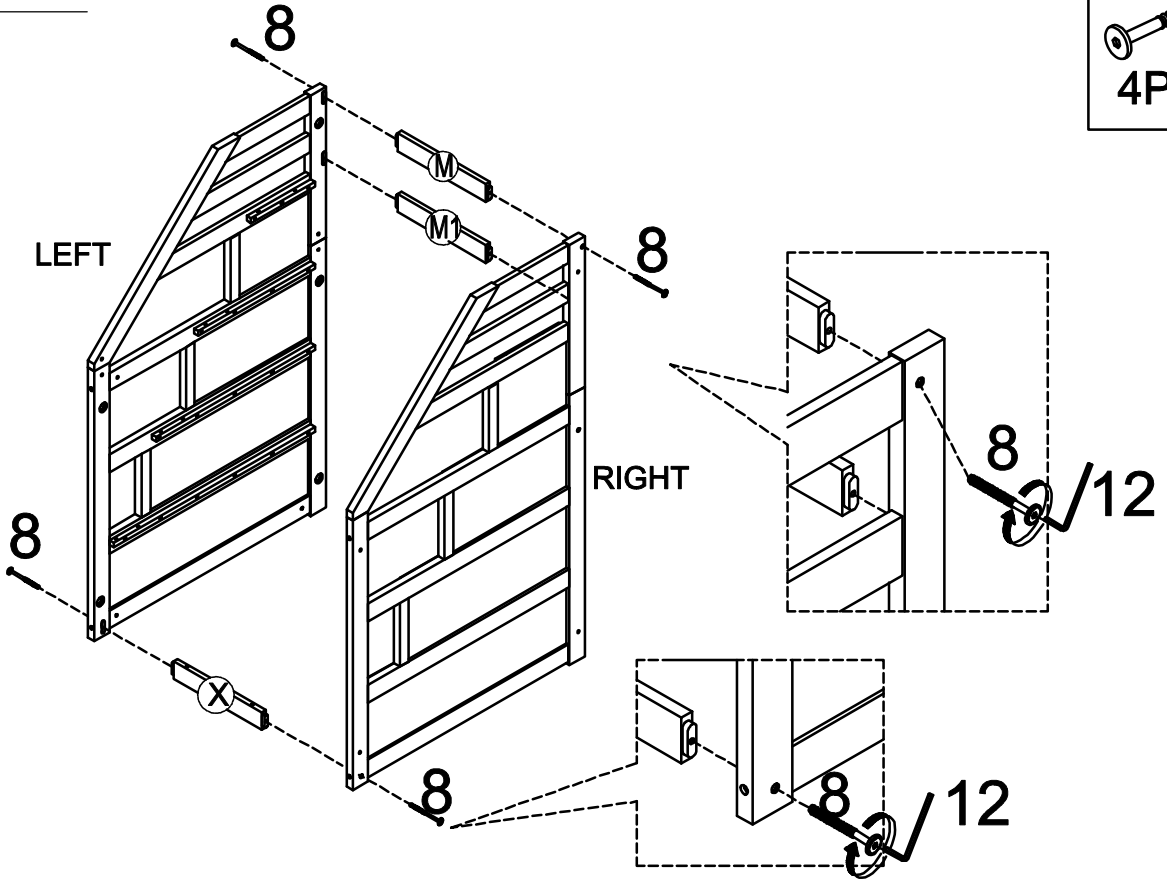


# STEP 3:


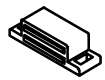



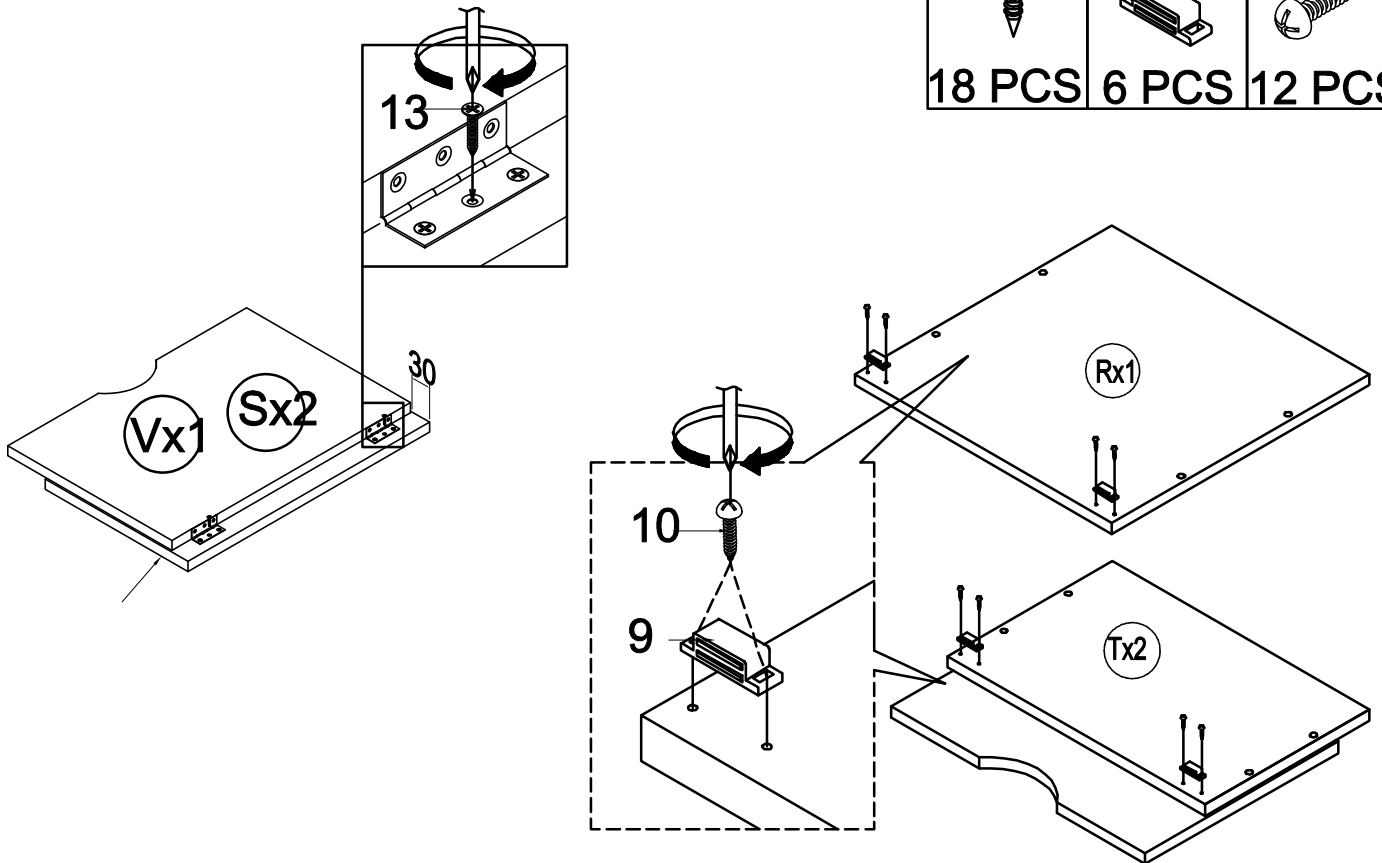
# STEP 4:

**8**  
  
**4PCS**





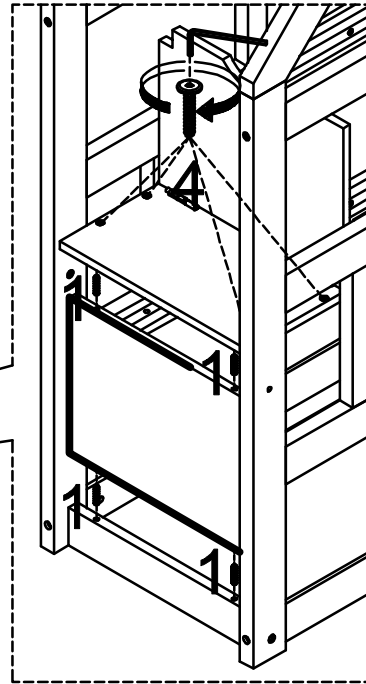
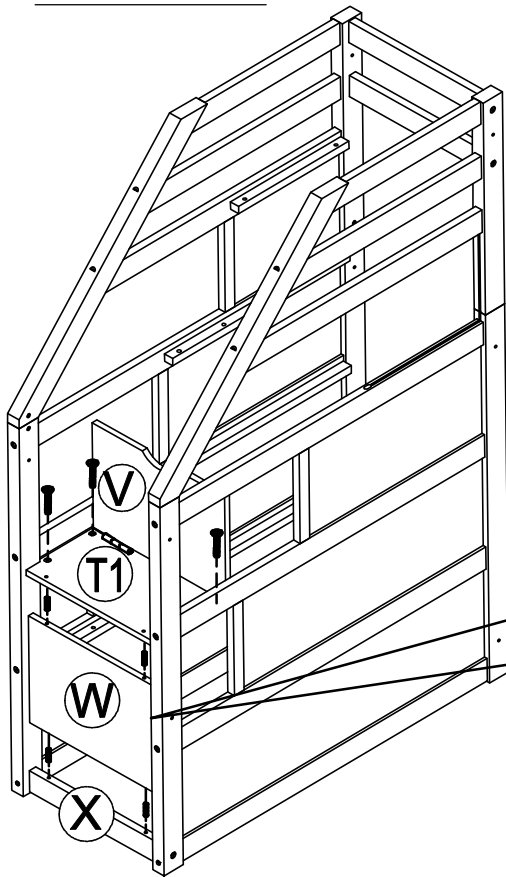
# STEP 5

<b>13</b>  <b>18 PCS</b>	<b>9</b>  <b>6 PCS</b>	<b>10</b>  <b>12 PCS</b>
---	---	---




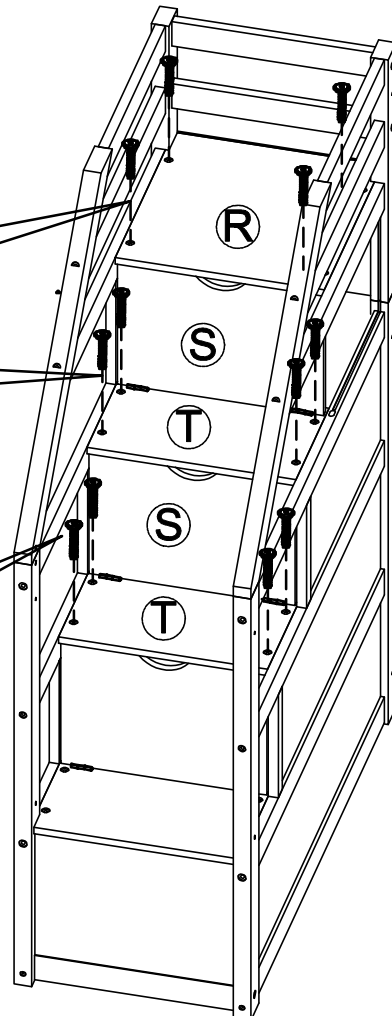
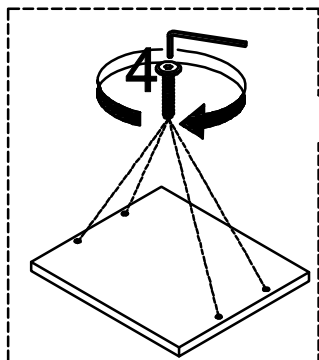
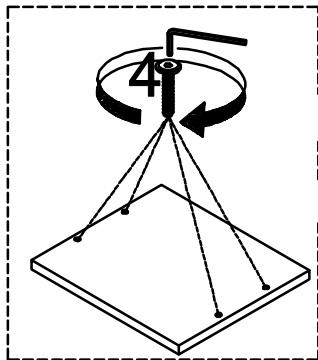
# STEP 6:

1		4	
4PCS		4PCS	



# STEP 7:

4	
12PCS	

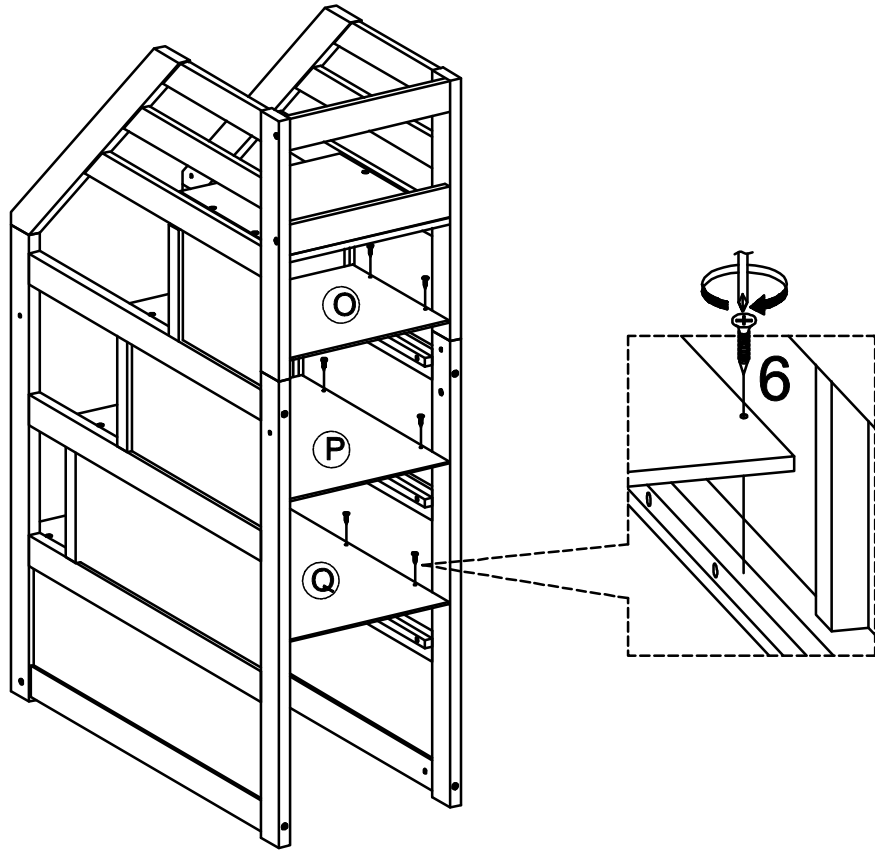


# STEP 8:

6



14PCS

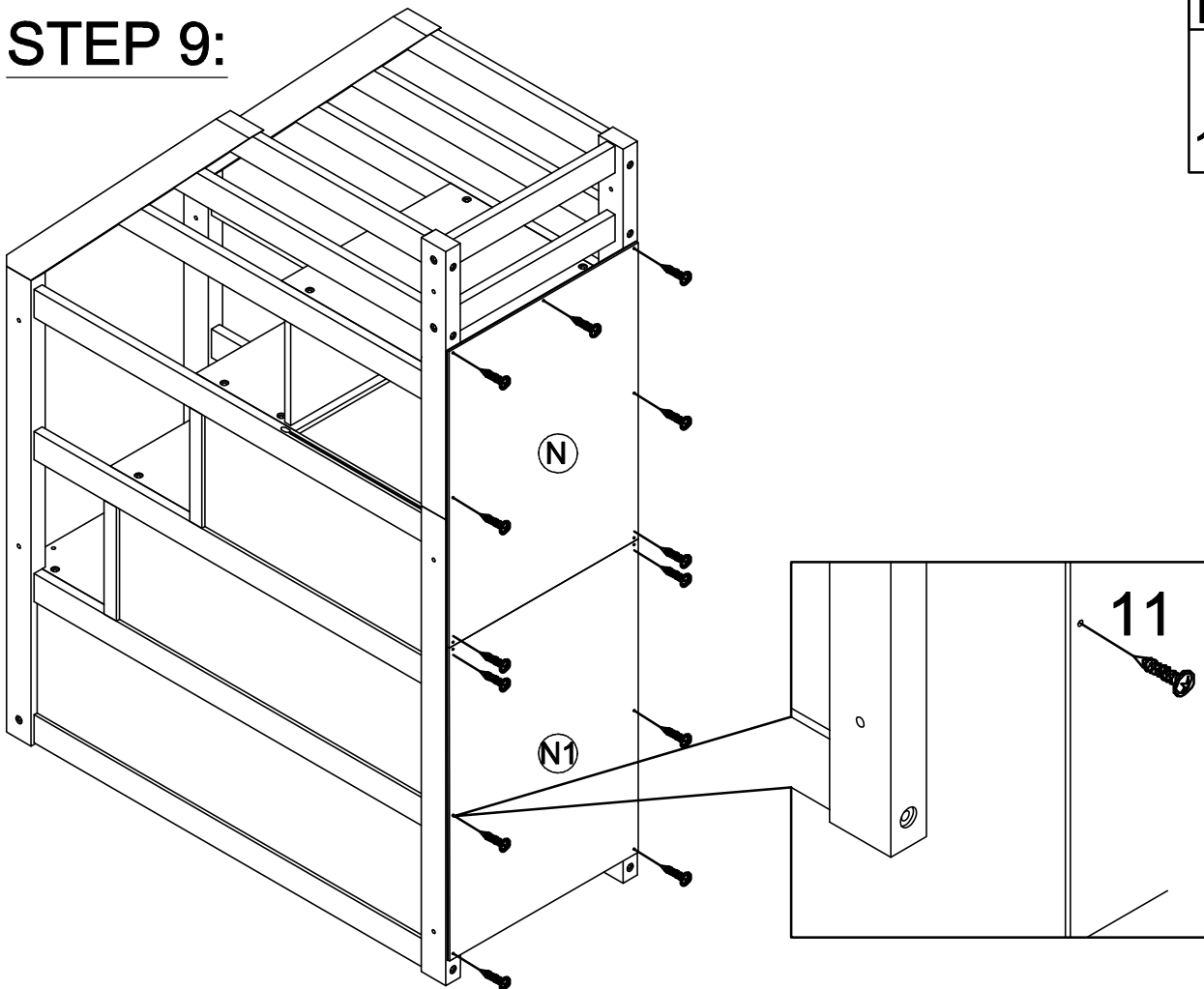


# STEP 9:

11



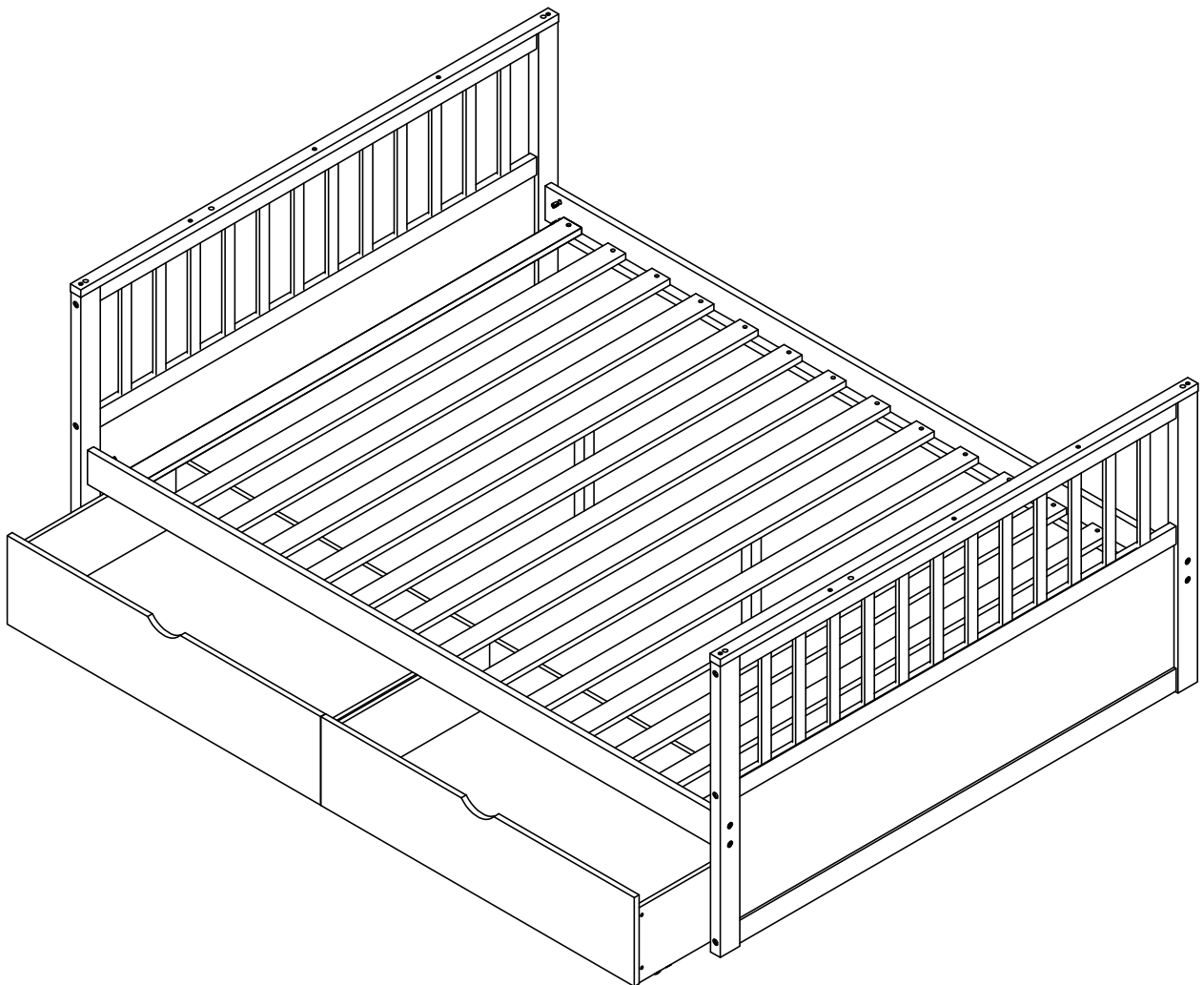
13PCS



Bottom Full Bed and 2 Drawers

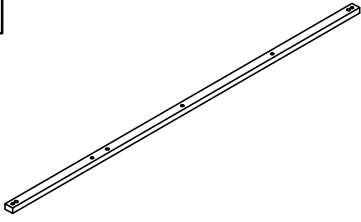
**WF286534-WF286535**

**This set is included 3 boxes if don't receive full 3 boxes please contact our customer service team**



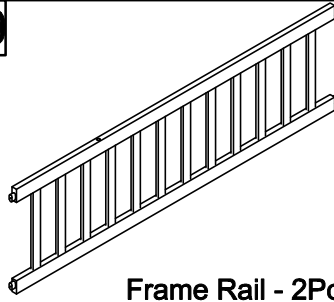
# PART LIST-WF286534

19



Top rail - 2Pcs

20



Frame Rail - 2Pcs

21



Legs headboard (L) - 1pc

22



Legs headboard (R) - 1pc

23



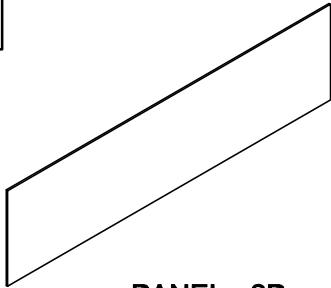
Legs footboard (L) - 1pc

24



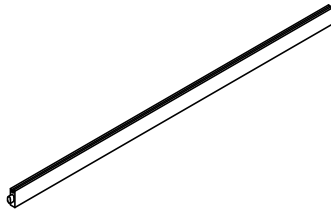
Legs footboard (R) - 1pc

25



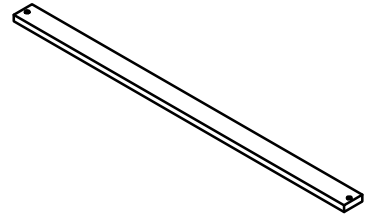
PANEL - 2Pcs

26



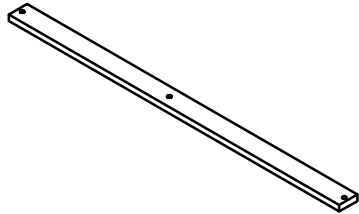
Support Bottom - 2Pcs

28



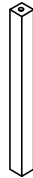
Long Slats - 12Pcs

29



Long Slats with mid hole - 2Pcs

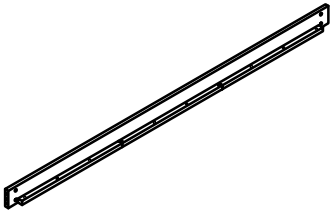
35



Center legs-2Pcs

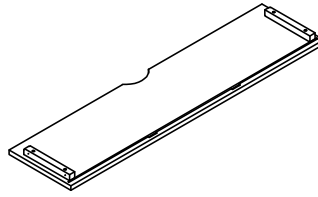
# PART LIST-WF286535

27



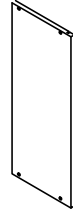
Side rails - 2Pcs

30



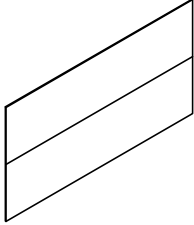
Front Drawers-2Pcs

31



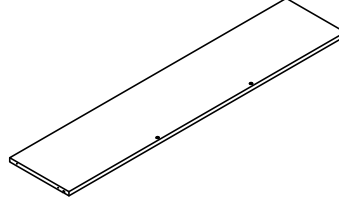
Side Drawers-4Pcs

32



Bottom Drawers-2Pcs

33



Back Drawers-2Pcs

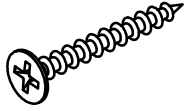
34



Support Bottom Drawer-4Pcs

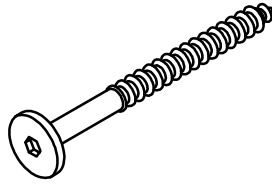
# HARDWARE LIST

A



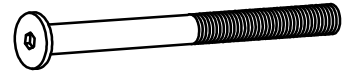
M4 x 30mm  
Wood Screws - 58Pcs

B



Ø1/4 x 70 mm  
Hexagonal bolts catch Wood -12Pcs

C



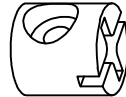
Ø1/4 x 80 mm  
Hex-Head bolts - 8Pcs

D



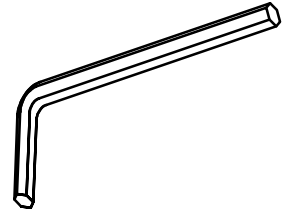
Ø10 x 40mm  
Dowles - 4Pcs

E



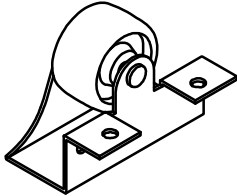
Ø1/4 x 13mm  
Cross nuts - 8Pcs

F



Allen Key - 1Pc

G



Wheels 8Pcs

H



M3 x 12mm  
Wood Screws 24Pcs

I

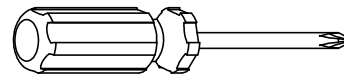


Ø1/4" x 35 mm  
Hex-Head bolts-2pcs

J

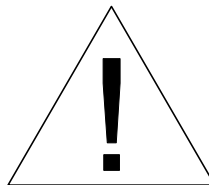


Plastic Washer  
Ø8x5mm (1pc)



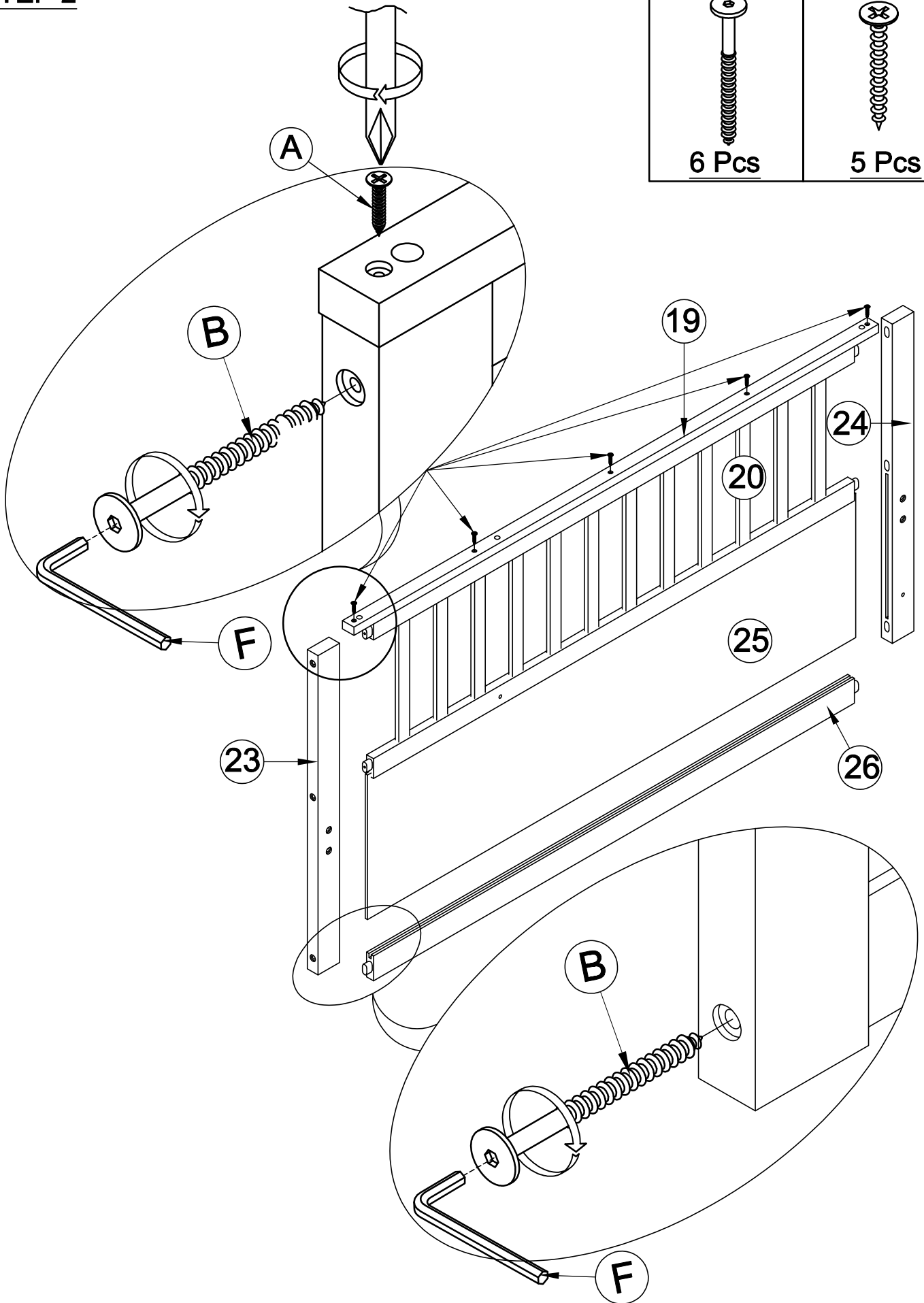
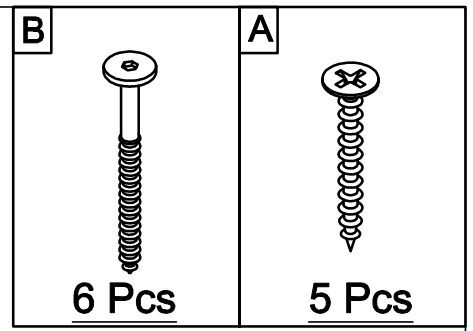
Assembly Tools Required (Not Included)

**PLEASE BE CAREFUL DO NOT DAMAGE THE HOLE  
POSITION WHEN YOU USE POWER TOOLS!**








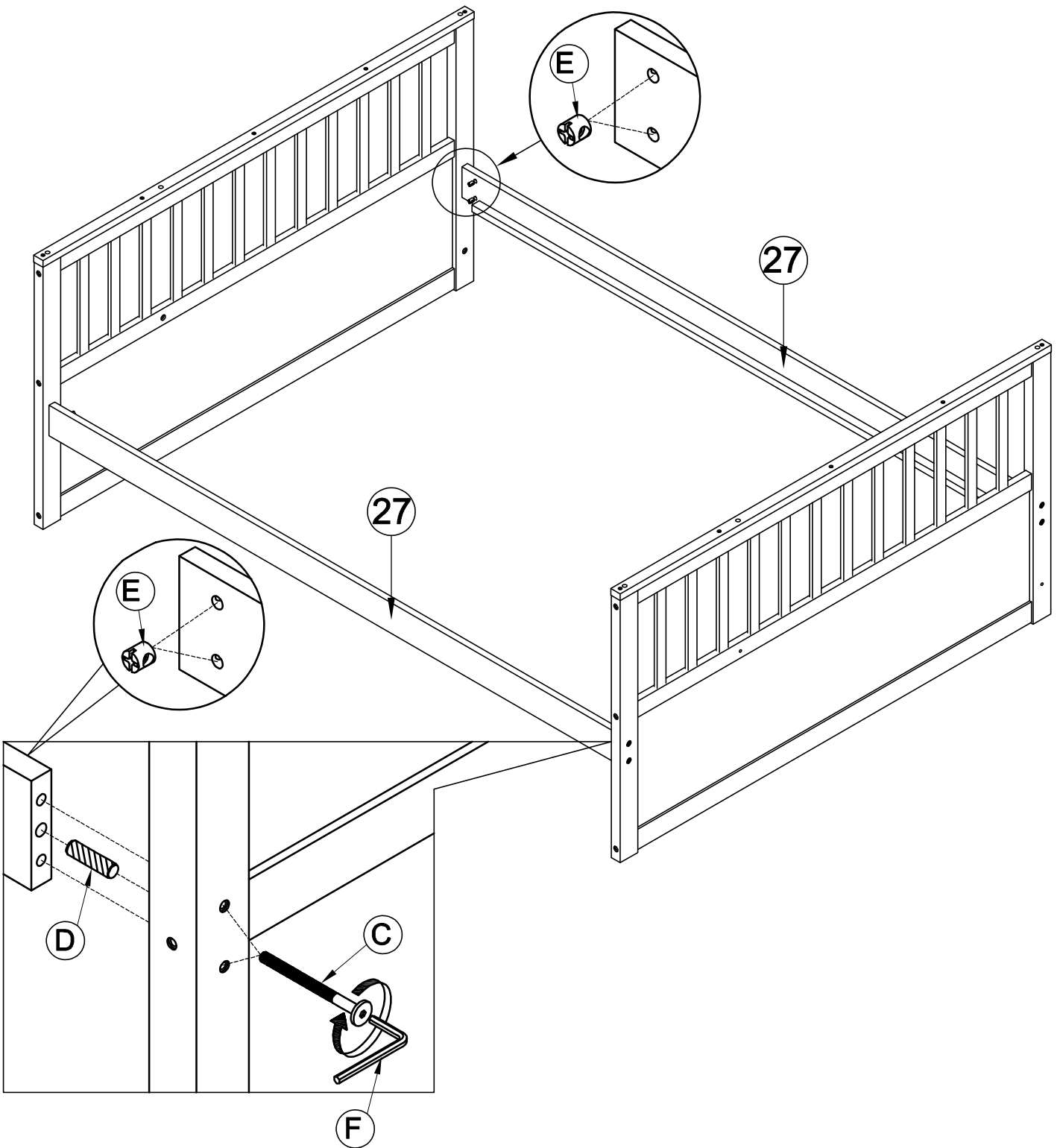
**STEP 2**



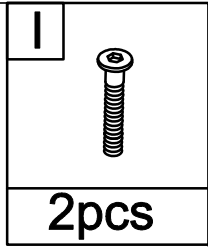
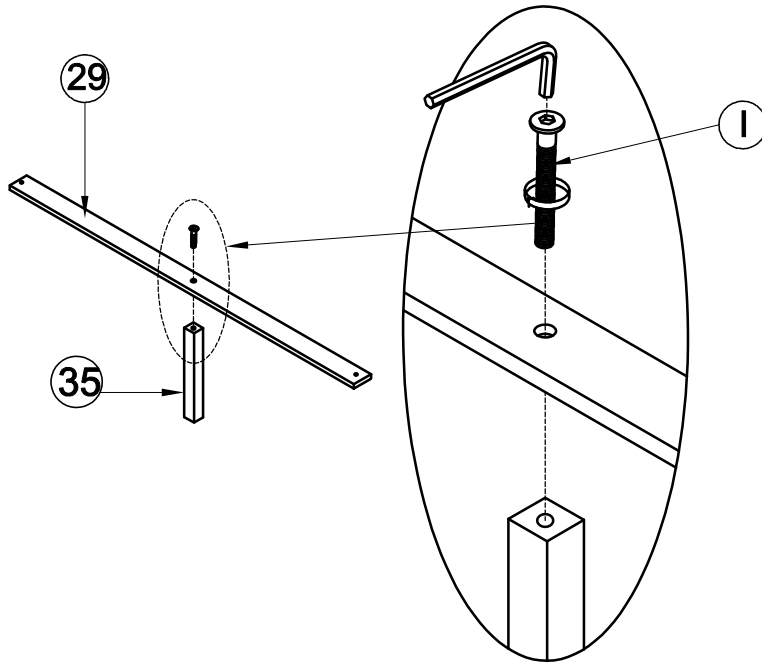
**FOOTBOARD**

# STEP 3

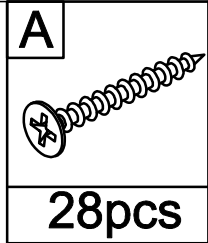
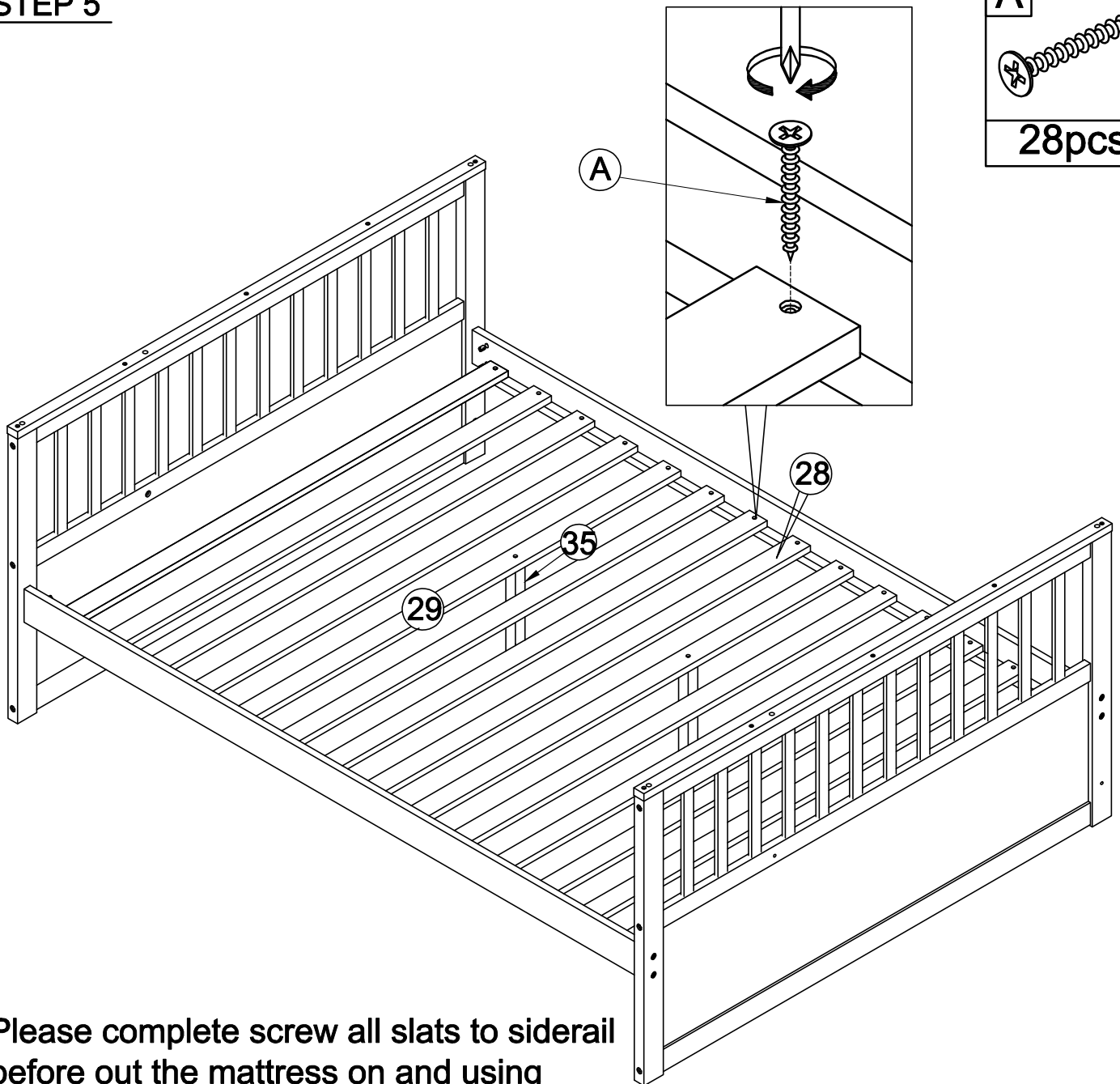
<b>C</b>		<b>E</b>		<b>D</b>	
8pcs		8pcs		4pcs	



**STEP 4**

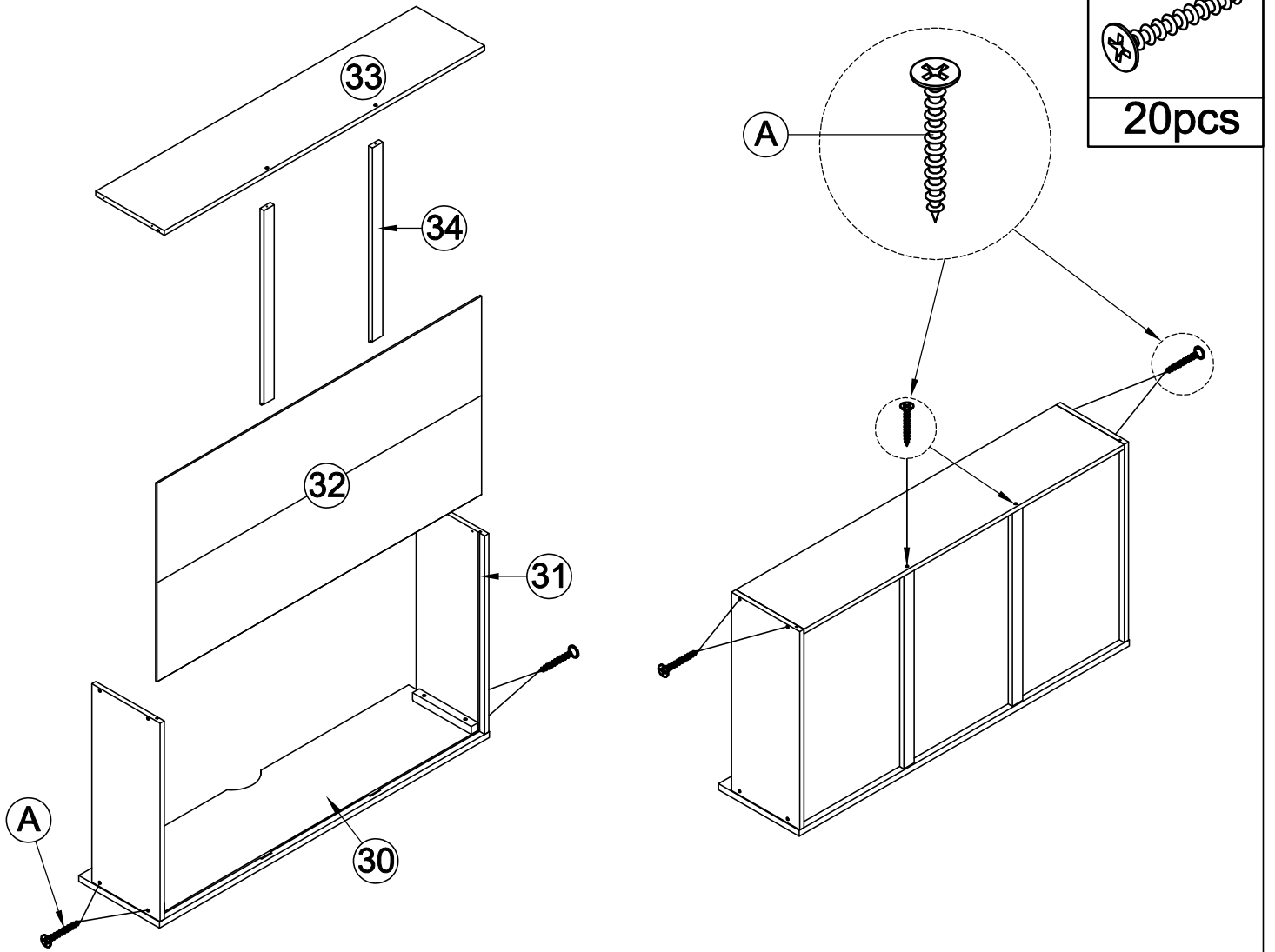


**STEP 5**

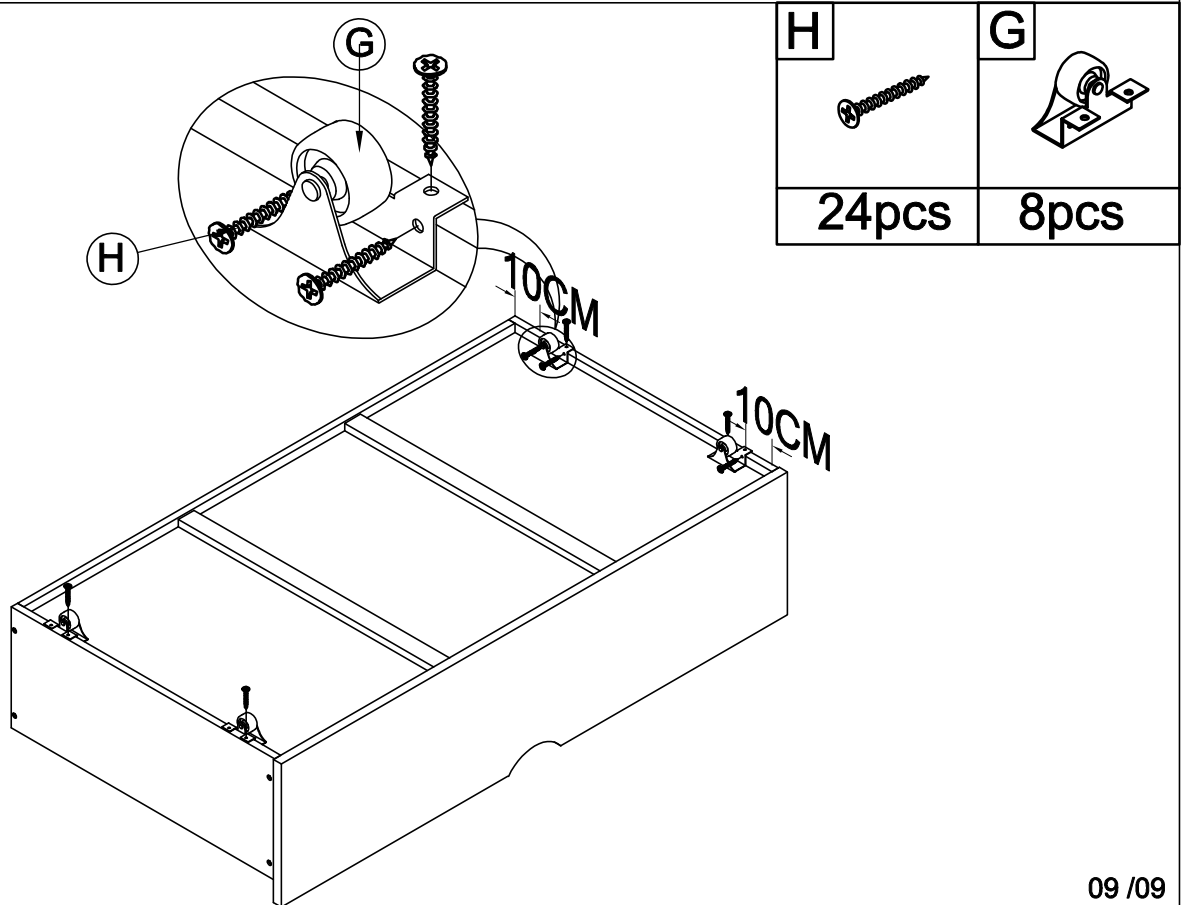


Please complete screw all slats to siderail before out the mattress on and using

**STEP 6**

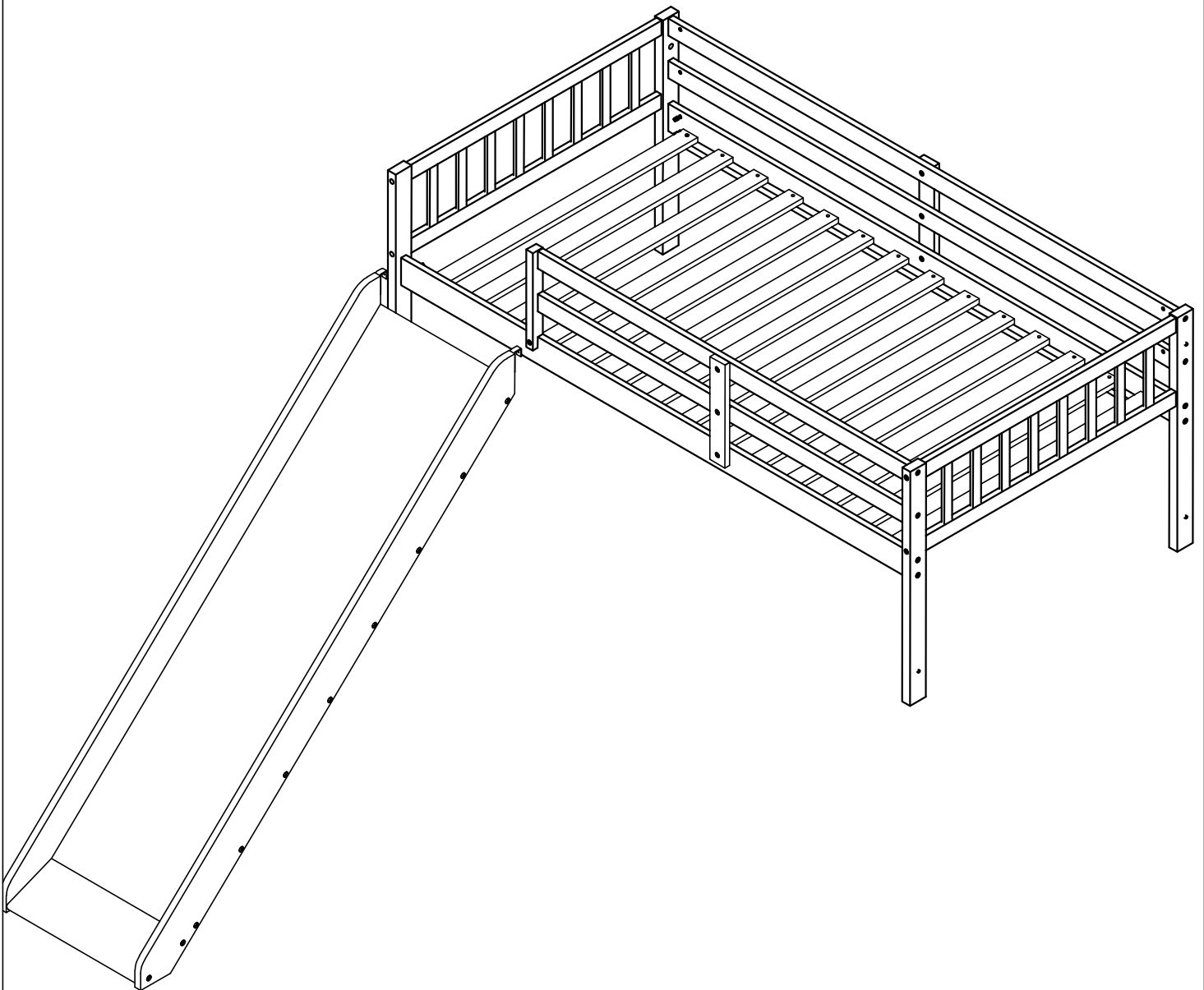


**STEP 7**



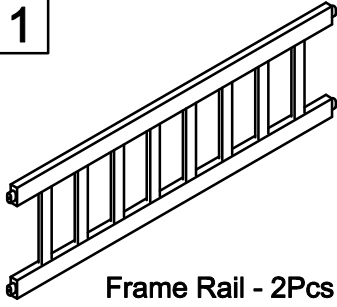
Upper Twin Bed & Slidder  
**WF286534-WF286535**

**This set is included 3 boxes if don't receive full 3 boxes please contact our customer service team**



# PART LIST-WF286534

1



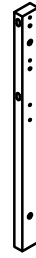
Frame Rail - 2Pcs

2



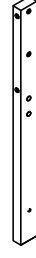
Legs headboard (L) - 1pc

3



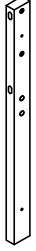
Legs headboard (R) - 1pc

4



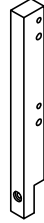
Legs footboard (L) - 1pc

5



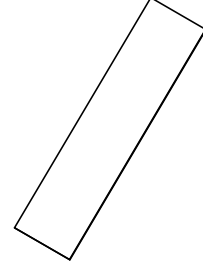
Legs footboard (R) - 1pc

8



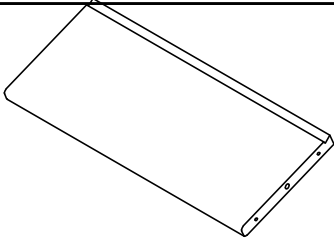
Guard Rail - 1 Pc

14



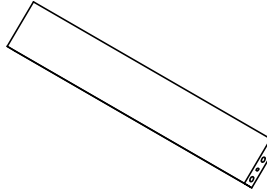
Panel Slider 1- 1pc

15



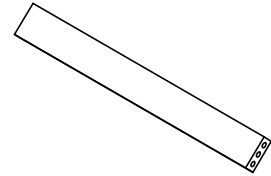
Panel Slider 2- 1pcs

16



Step Slider 1- 1pc

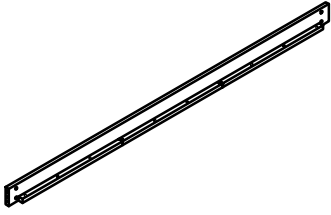
17



Step Slider 2- 7pcs

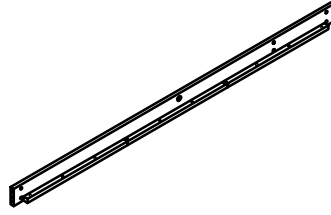
# PART LIST-WF286535

6



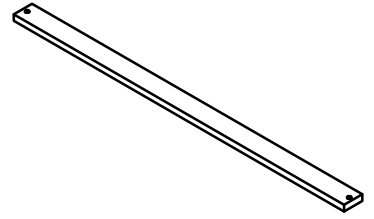
Side rails - 1Pcs

6,1



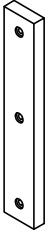
Side rails - 1Pcs

7



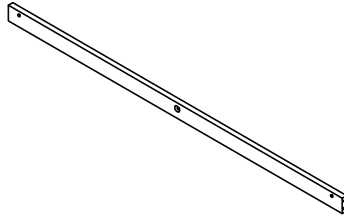
Slats - 14Pcs

9



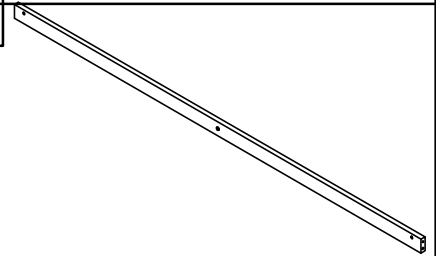
Verticalguardrail-2pcs

10



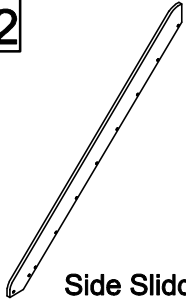
Longguardrail (Front)-2pcs

11



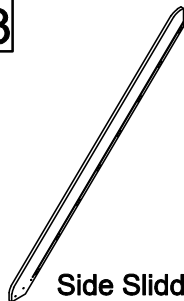
Longguardrail (Back)-2pcs

12



Side Slidder - 1pc

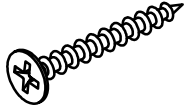
13



Side Slidder-1pc

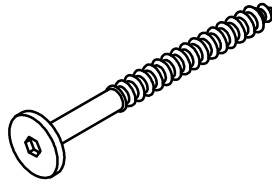
# HARDWARE LIST

A



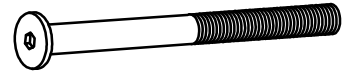
M4 x 30mm  
Wood Screws - 28Pcs

B



Ø1/4 x 70 mm  
Hexagonal bolts catch Wood-8Pcs

C



Ø1/4 x 80 mm  
Hex-Head bolts - 16Pcs

D



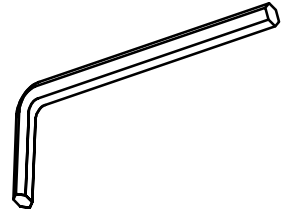
Ø10 x 40mm  
Dowles - 12Pcs

E



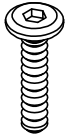
Ø1/4 x 13mm  
Cross nuts - 16Pcs

F



Allen Key - 1Pc

G



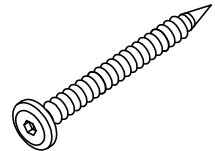
Ø1/4" x 25 mm  
Hex-Head bolts - 6pcs

H



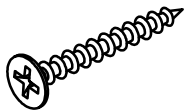
Ø1/4" x 15 mm  
Canopy head though - 7pcs

I



Ø1/4 x 50 mm  
Hexagonal bolts catch Wood  
20Pcs

J



M4 x 20mm  
Wood Screws - 6Pcs

K



Hooks - 2pcs

L



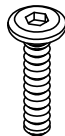
Ø8 x 30mm  
Dowles - 34Pcs

O

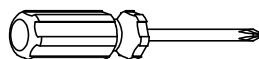


Wood dowel  
Ø12x110 (4pcs)

M



Ø1/4" x 35 mm  
Hex-Head bolts - 1pc

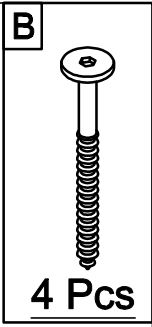
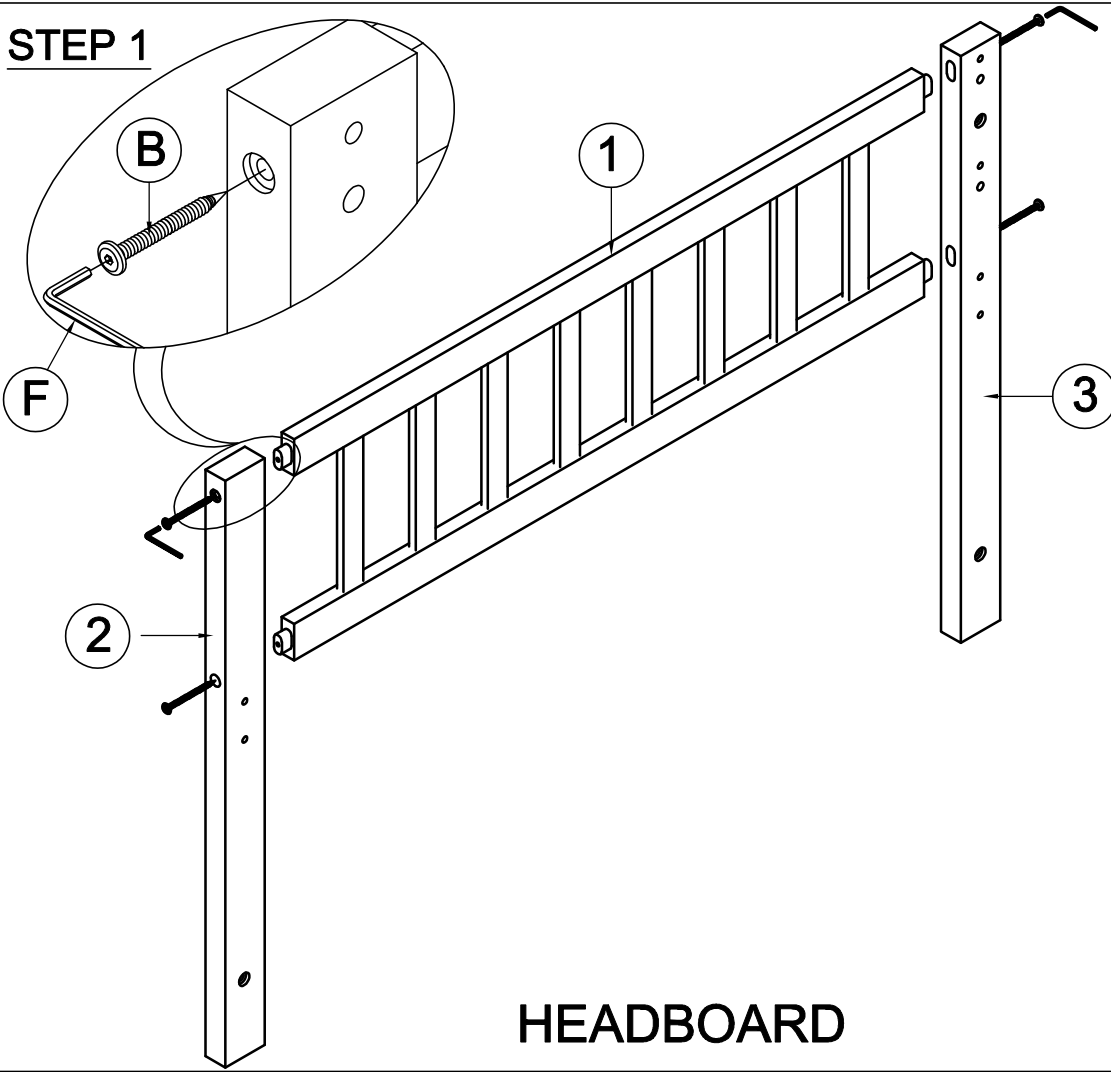


Assembly Tools Required (Not Included)

**PLEASE BE CAREFUL DO NOT DAMAGE THE HOLE  
POSITION WHEN YOU USE POWER TOOLS!**

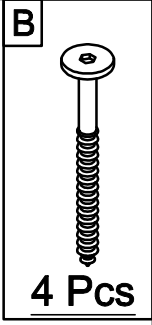
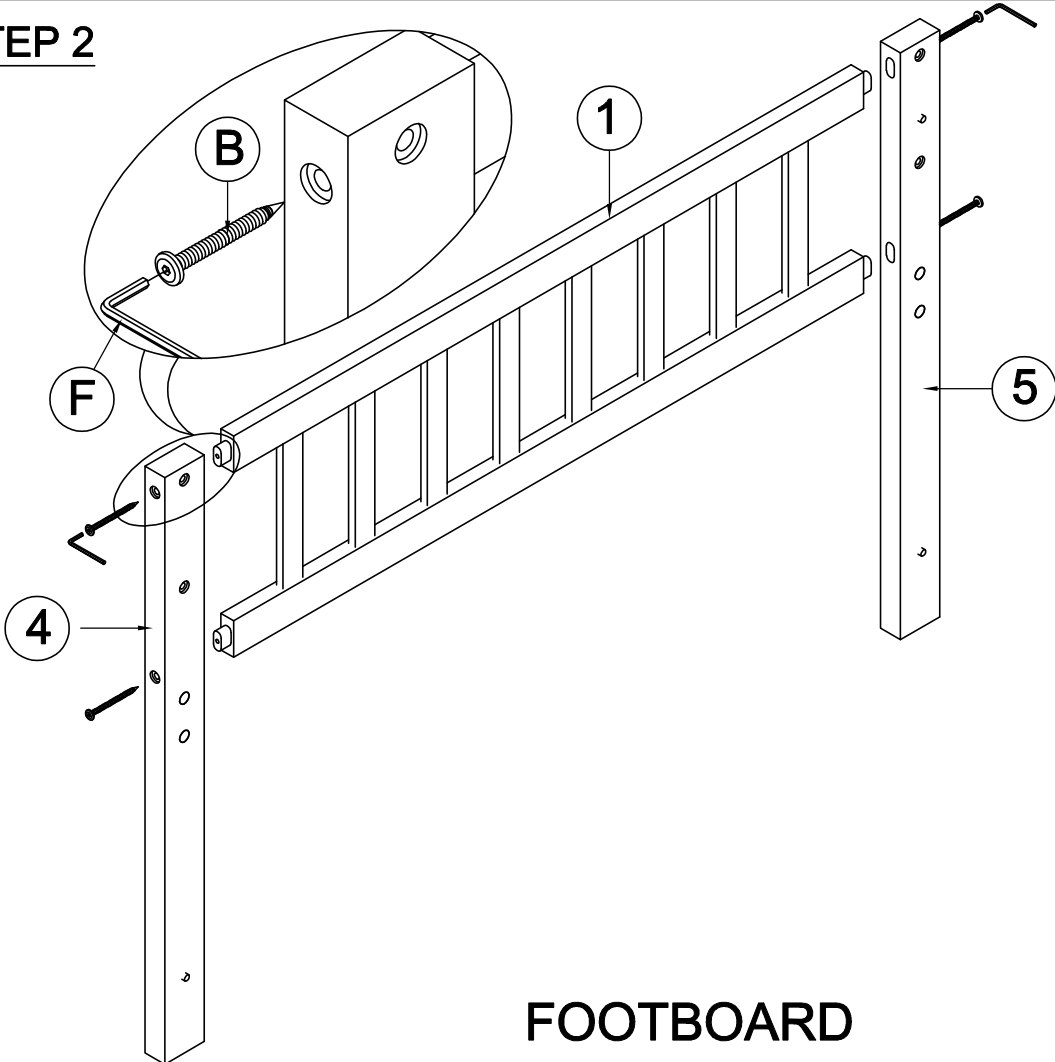


**STEP 1**






**HEADBOARD**

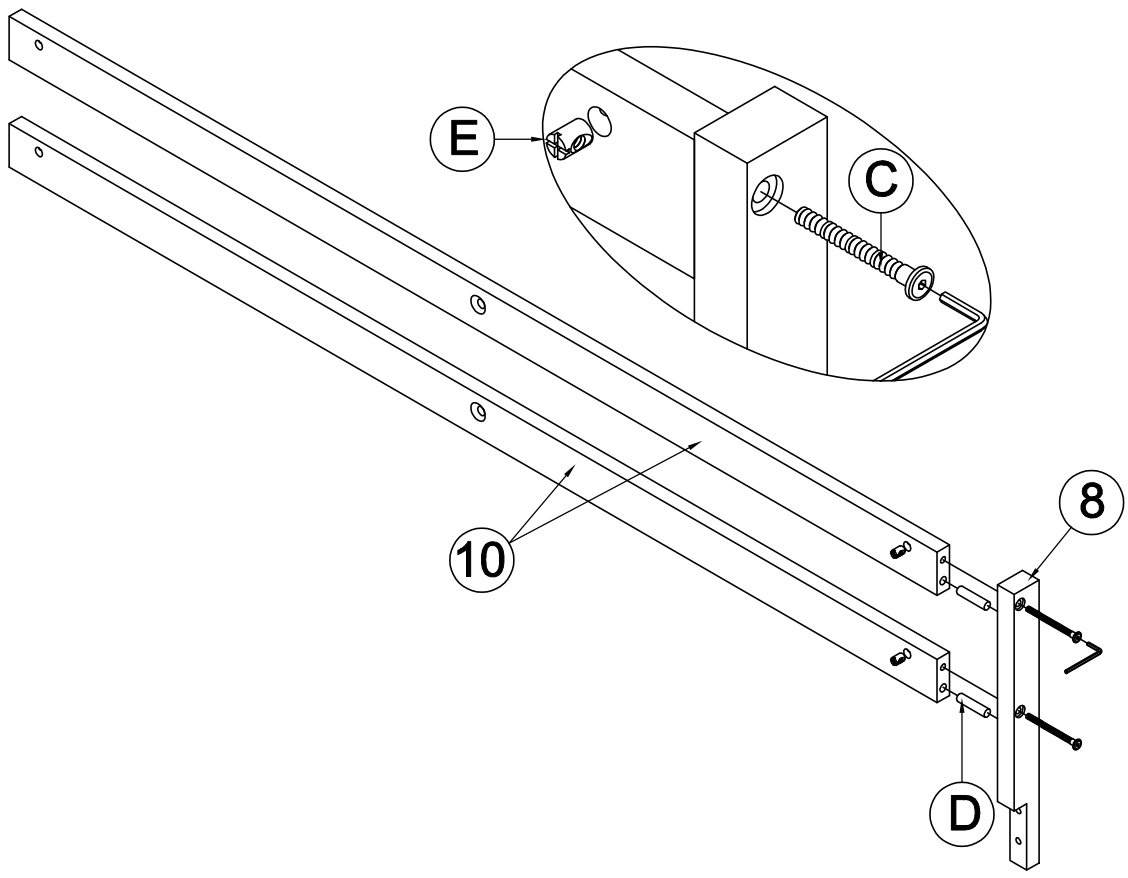
**STEP 2**










**FOOTBOARD**

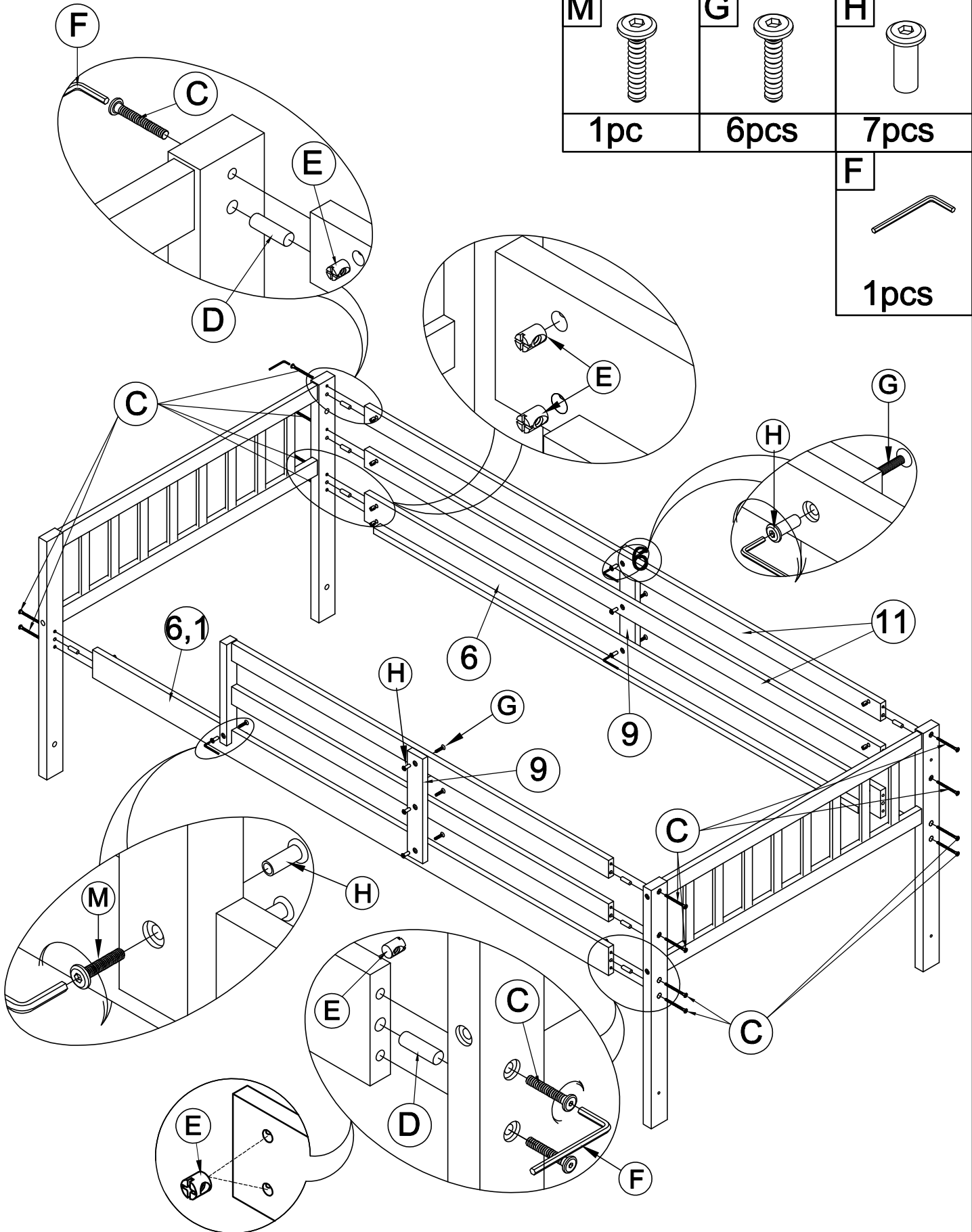
# STEP 3

<b>C</b>  2 Pcs	<b>E</b>  2 Pcs	<b>D</b>  2pcs
--	--	---



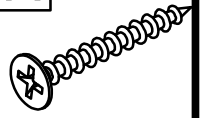
**STEP 4**

<b>C</b>		<b>E</b>		<b>D</b>	
14pcs		14pcs		10pcs	
<b>M</b>		<b>G</b>		<b>H</b>	
1pc		6pcs		7pcs	
					<b>F</b>
					
					1pcs

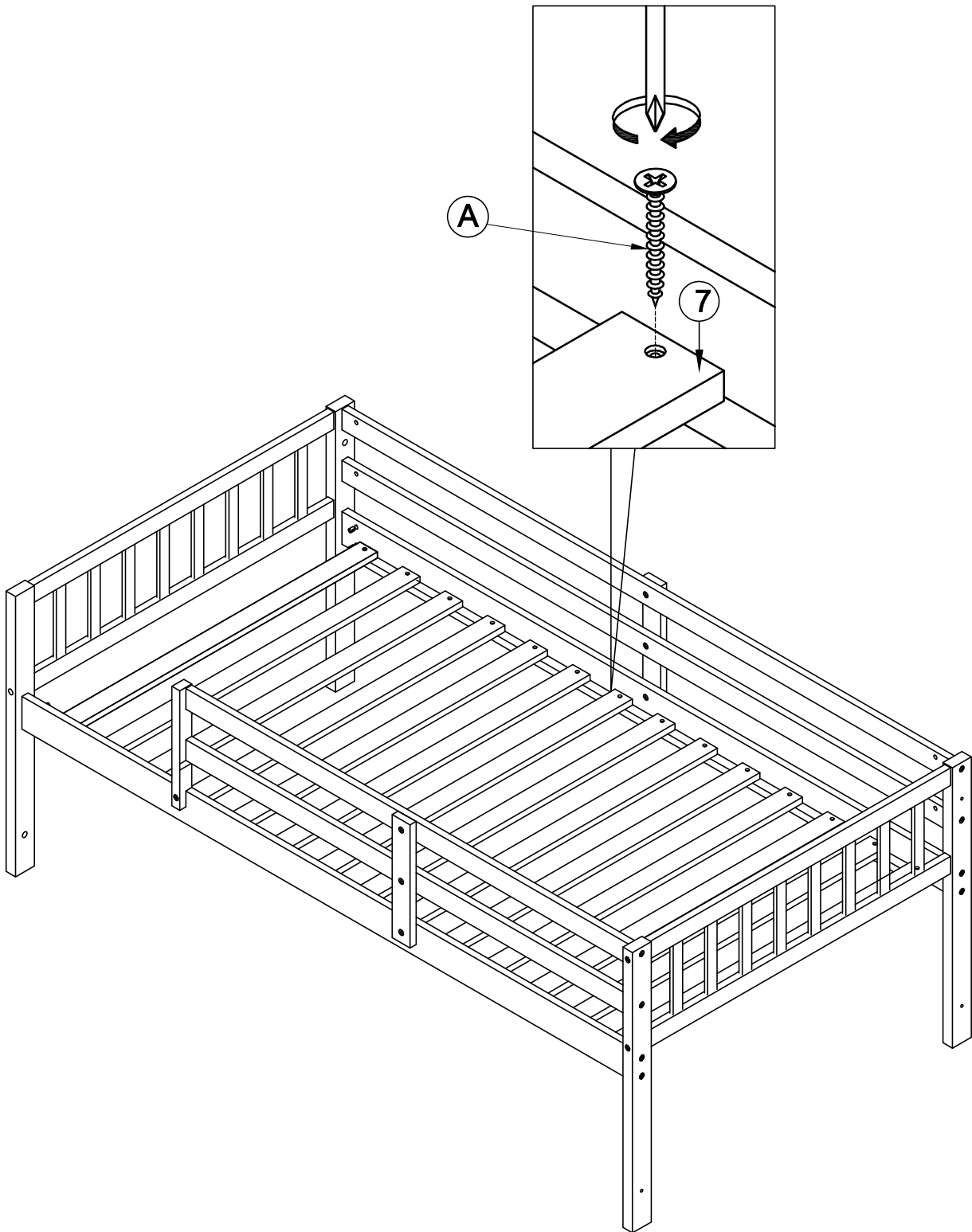


**STEP 5**

**A**

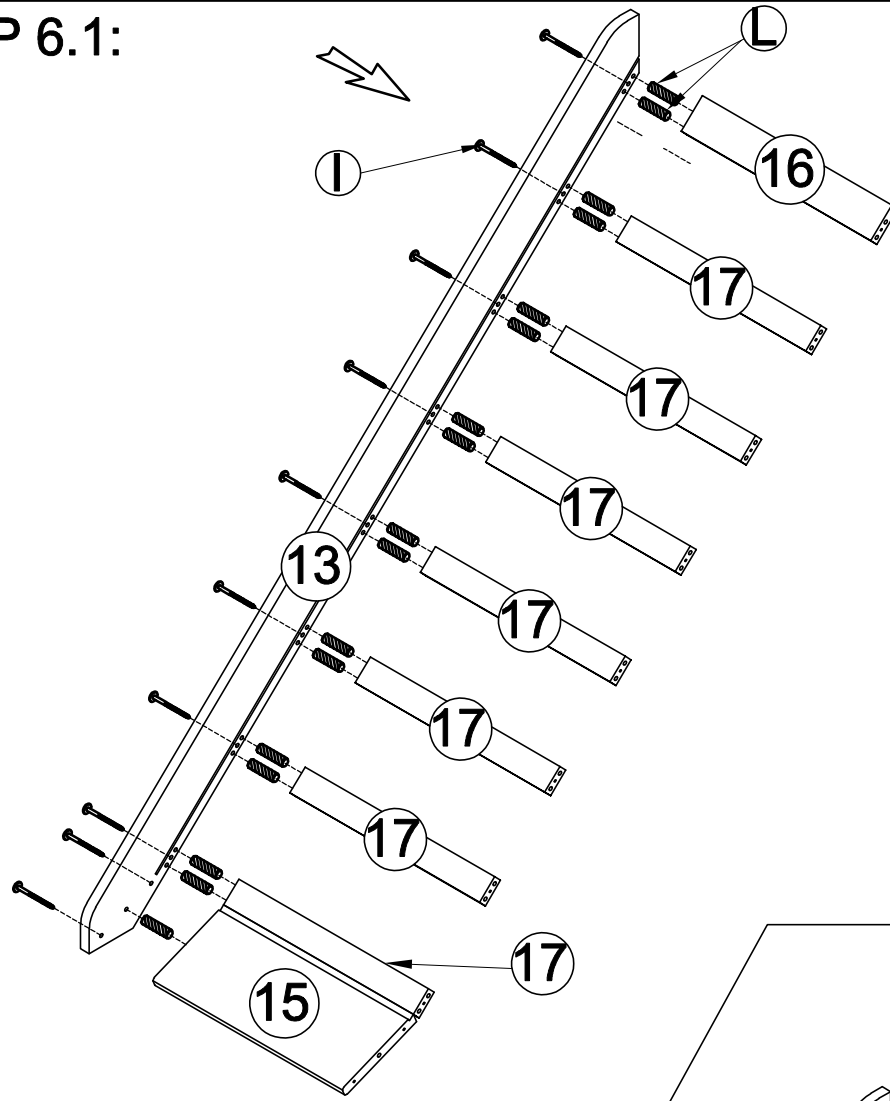



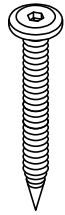
**28pcs**



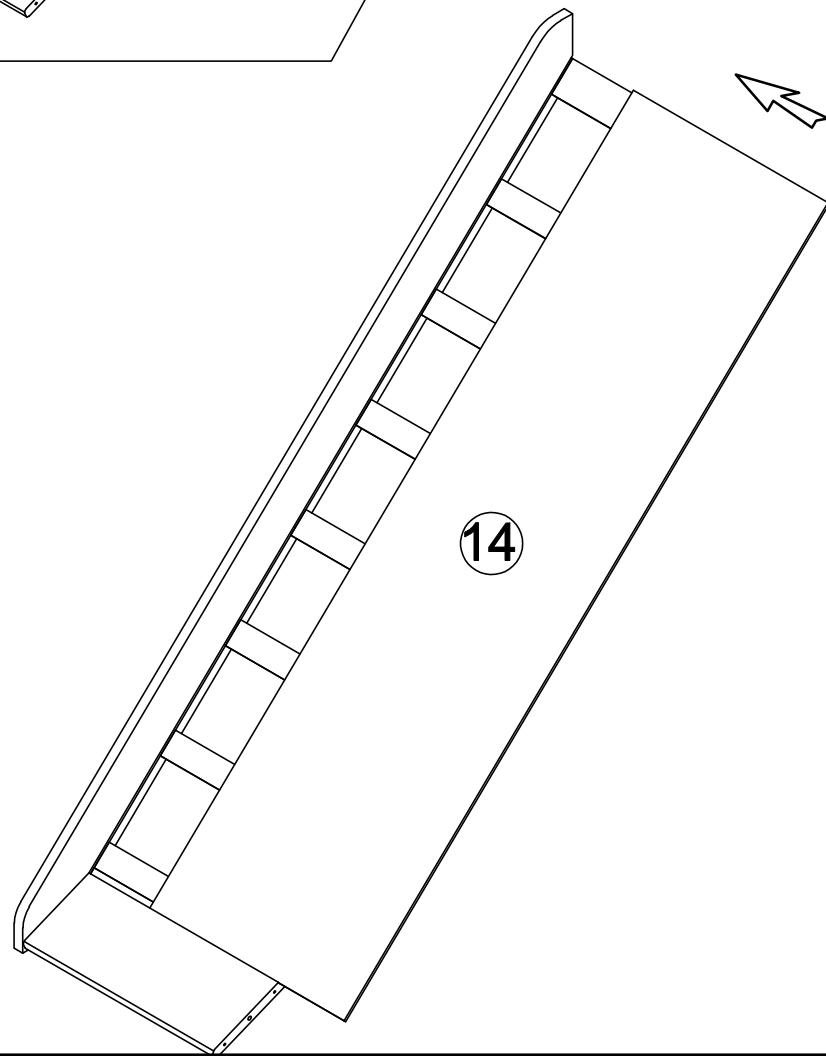
**Please complete screw all slats to siderail  
before out the mattress on and using**

STEP 6.1:

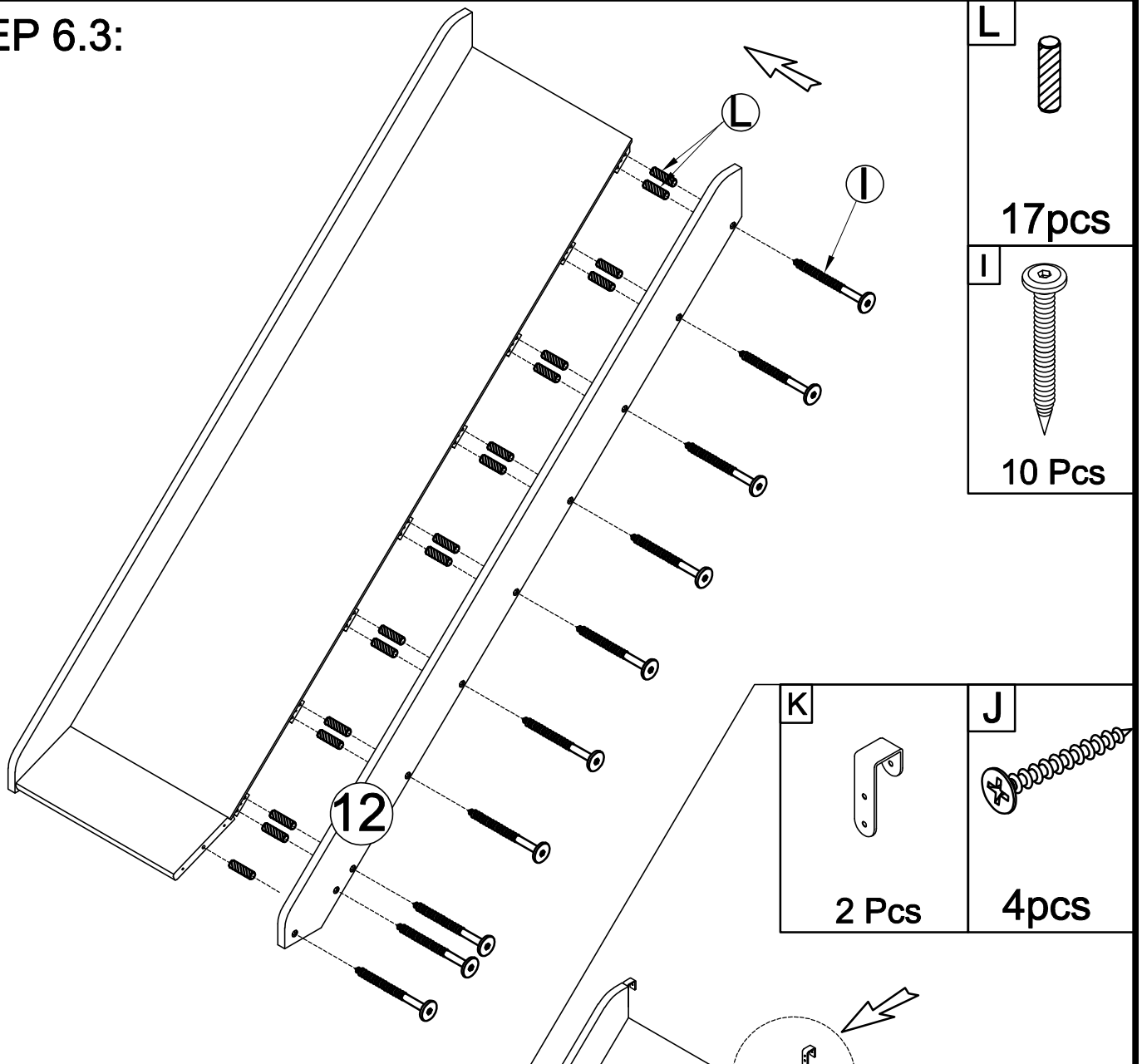


L	
17pcs	
I	
10 Pcs	

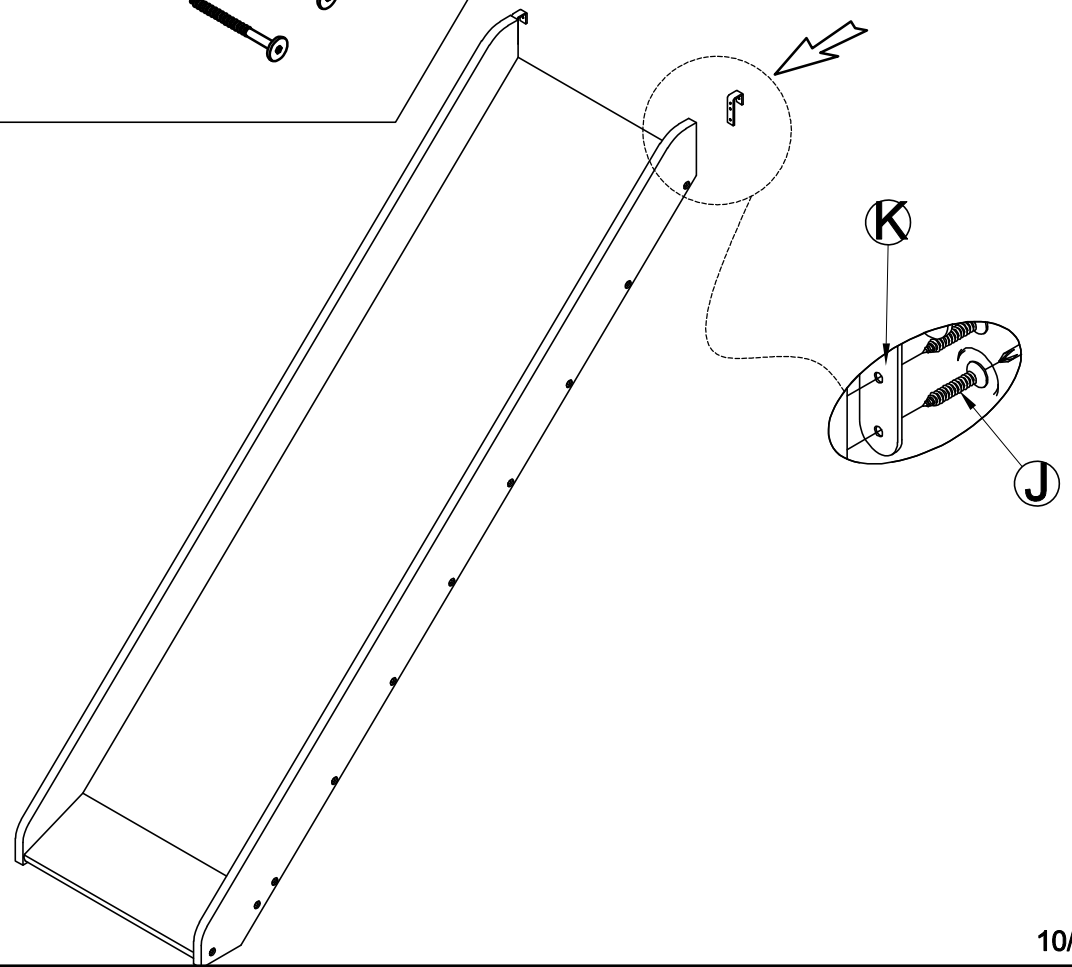
STEP 6.2:



**STEP 6.3:**



**STEP 6.4:**

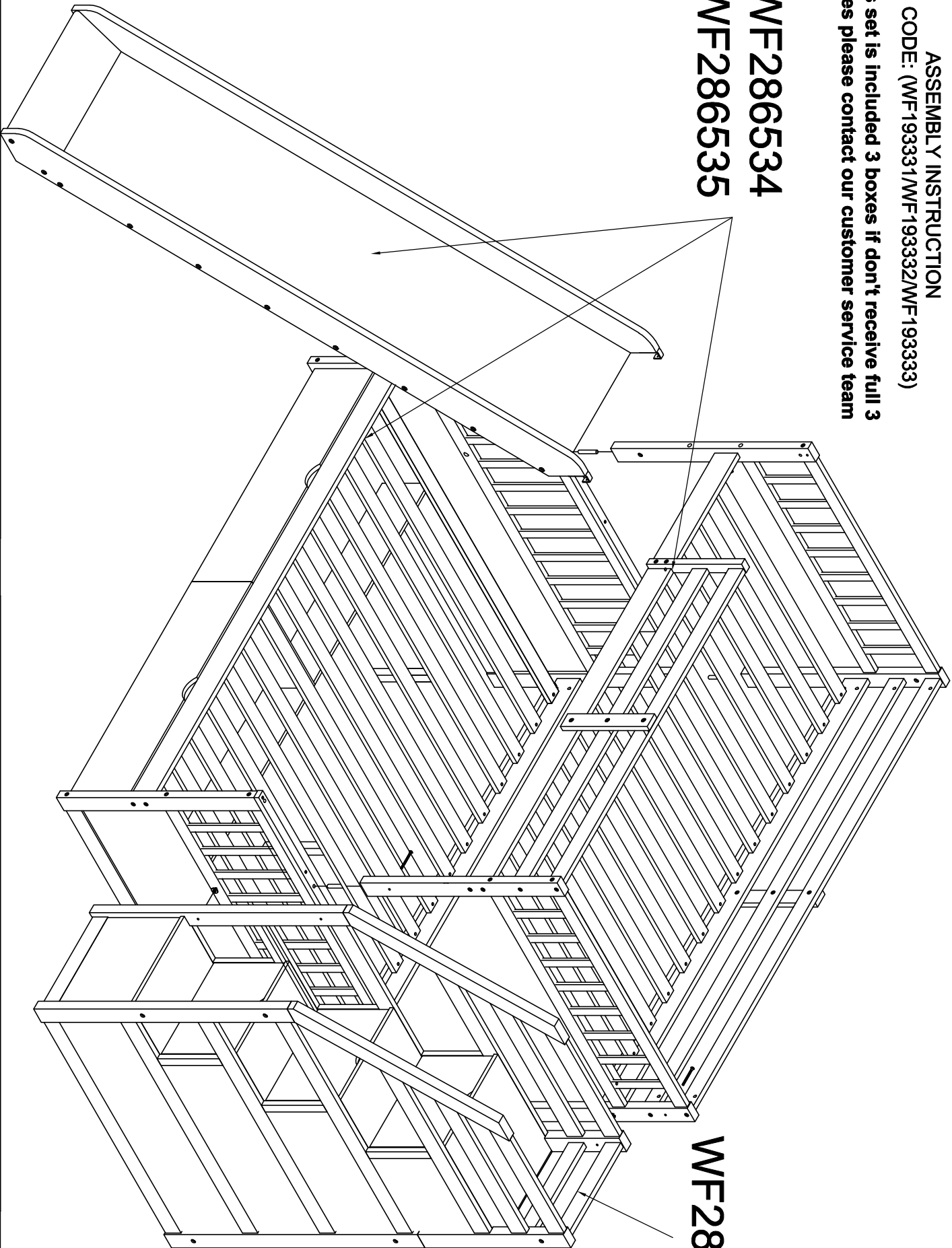


**ASSEMBLY INSTRUCTION**  
**SKU CODE: (WF193331/WF193332/WF193333)**

**This set is included 3 boxes if don't receive full 3 boxes please contact our customer service team**

**WF286534**  
**WF286535**

**WF286533**



# **! SAFETY WARNINGS !**

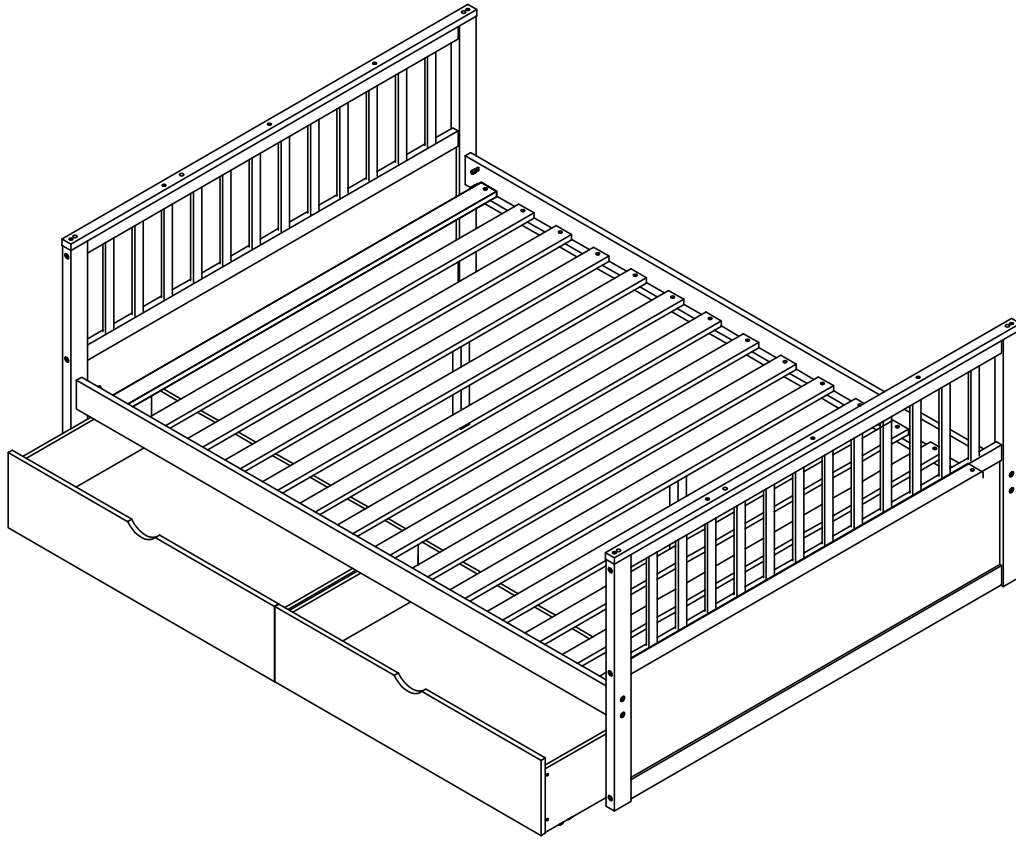
1. This bed is designed for use only mattress(es) meeting the following specifications on the upper bunk, and lower bunk:

<b>Bed Type</b>	<b>Length</b>	<b>Width</b>	<b>Thickness</b>
<i>Twin Standard</i>	<i>74" - 75"</i>	<i>38 1/2"</i>	<i>6" max</i>
<i>Full Standard</i>	<i>74" - 75"</i>	<i>53 1/2 "</i>	<i>6" max</i>

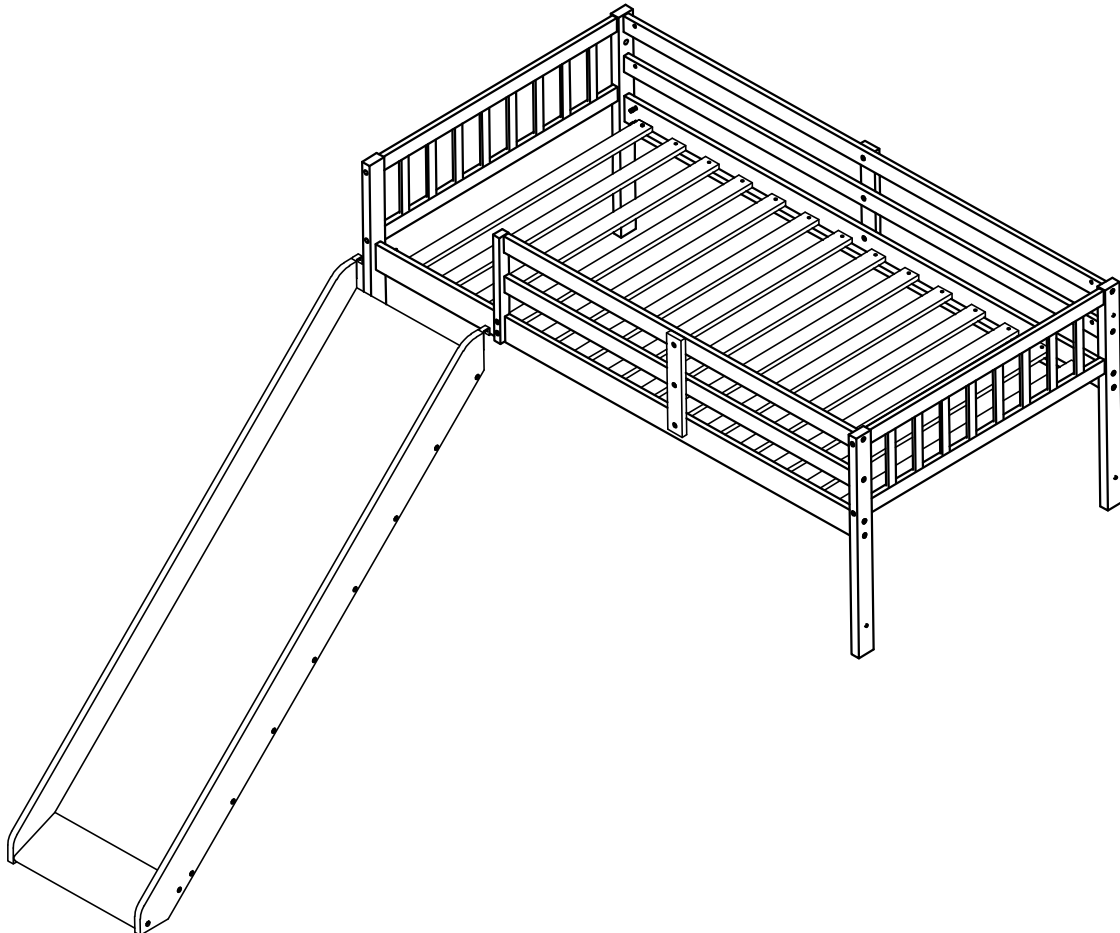
2. Replacement parts, including additional guardrails, may be obtained from any of our (COMPTREE. INC) dealers
3. Follow the information on the warnings appearing on the upper bunk bed end structure and on the carton. Do not remove warning label from bed.
4. Always use the recommended size mattresses or mattress supports, or both, to help prevent the likelihood of entrapment or falls.
5. Surface of the mattress must be at least 5 in. (127 mm) below the upper edge of guardrails.
6. Do not allow children under 6 years of age to use the upper bunk.
7. Periodically check and ensure that the guardrail, ladder, and other components are in their proper position, free from damage, and that all connectors are tight.
8. Do not allow horseplay on or under the bed and prohibit jumping on the bed
9. Always use the ladder for entering and leaving the upper bunk.
10. Do not use substitute parts. Contact the manufacturer or dealer for replacement parts.
11. Use of a night light may provided added safety precaution for a child using the upper bunk.
12. Always use guardrails on both long sides of the upper bunk. If the bunk bed will be placed next to the wall, the guardrail that runs the full length of the bed should be placed against the wall to prevent entrapment between the bed and wall.
13. The use of water or sleep flotation mattresses is prohibited.
14. **STRANGULATION HAZARD** – Never attach or hang items to any part of the bunk bed that are not designed for use with the bed; for example, but not limited to, hook, belts and jump ropes.
15. Keep these instructions for future reference

# HOW TO COMPLETE YOUR SET

**STEP 1: Complete Assembly Bottom Full Bed and 2 Drawers.**

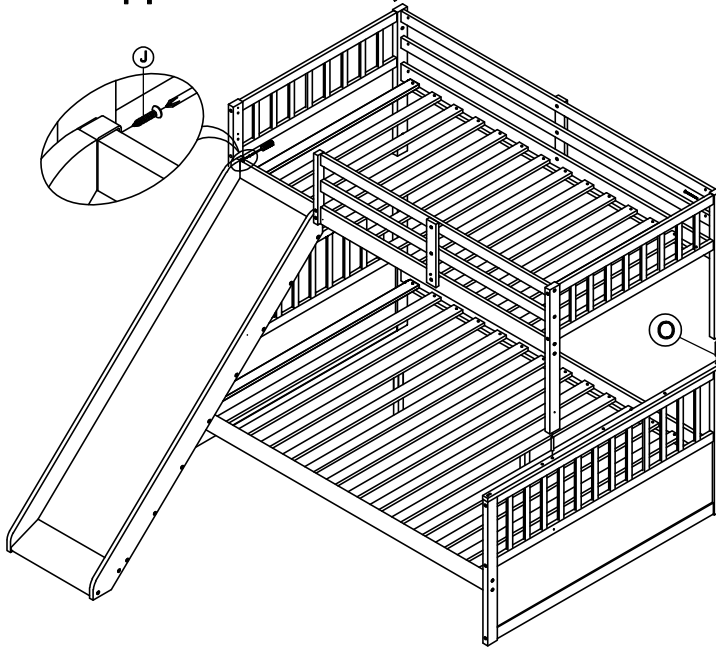
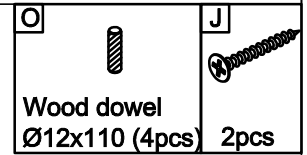


**STEP 2: Complete Assembly Upper Twin Bed and Slider**

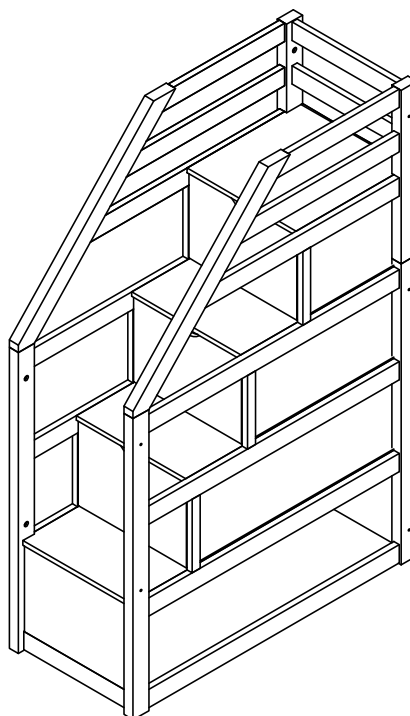


# HOW TO COMPLETE YOUR SET



**STEP 3:** Put Upper Twin bed on top of Full Bed, use wood dowel (Hardware part O) to connect 2 beds.  
Hook the Slider on Upper Twin Bed, use screw J



**STEP 4:** Complete Assembly Storage Stair Case (box WF193331)



**STEP 4:** Use Hardware part **7** (inside box WF-193331) and Plastic Disk **J** (inside box WF-193333) to connect Storage Staircase to Left or Right side of Burdbed

<b>J</b> 	<b>7</b> 
<b>1PC</b> WF-193333	<b>5PCS</b> WF-193331

Right Side

The Staircase can be use on both left or right side, please follow below instruction to assembly either right or left side

Left Sight

