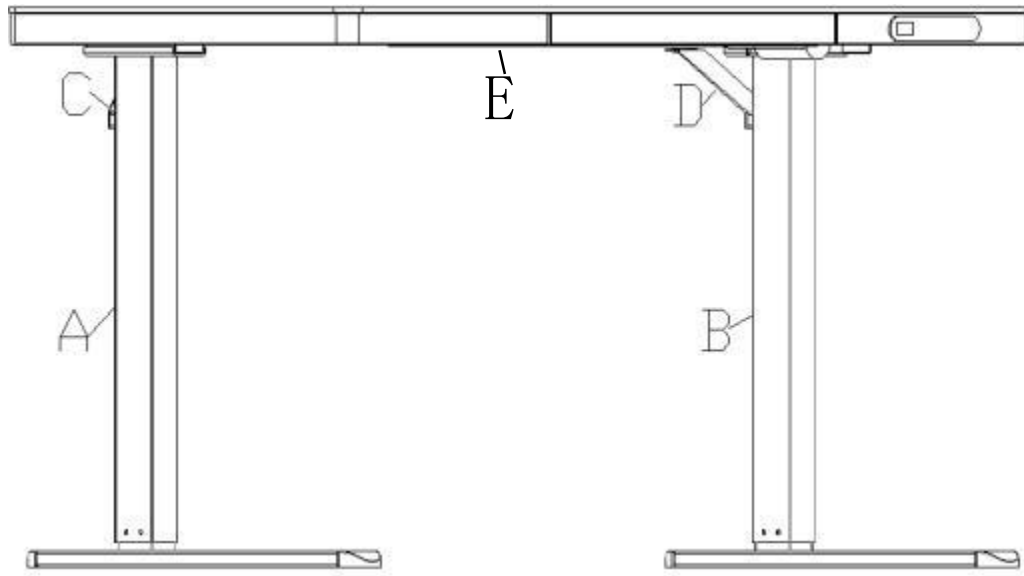









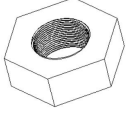


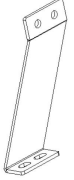
Single Motor Glass Table

User Guide





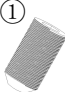





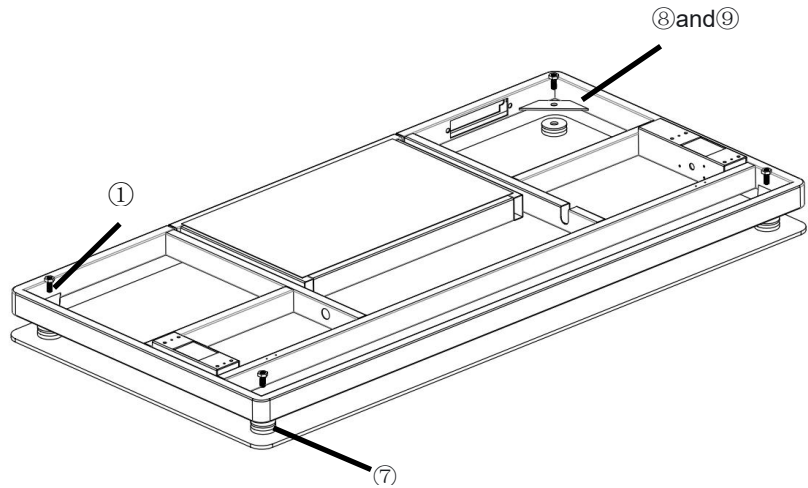
Accessories List

① ×8  M6×8	② ×1 	③ ×2 	④ Power cord ×1 	⑤ Open wrench ×1  M14	⑥ ×4  M6
⑦ gasket ×4  Φ20×7.5	⑧ nut ×4  M6	⑨ Iron gasket ×4  Φ20×6.5	C ×1 	D ×1 	



Installation Step

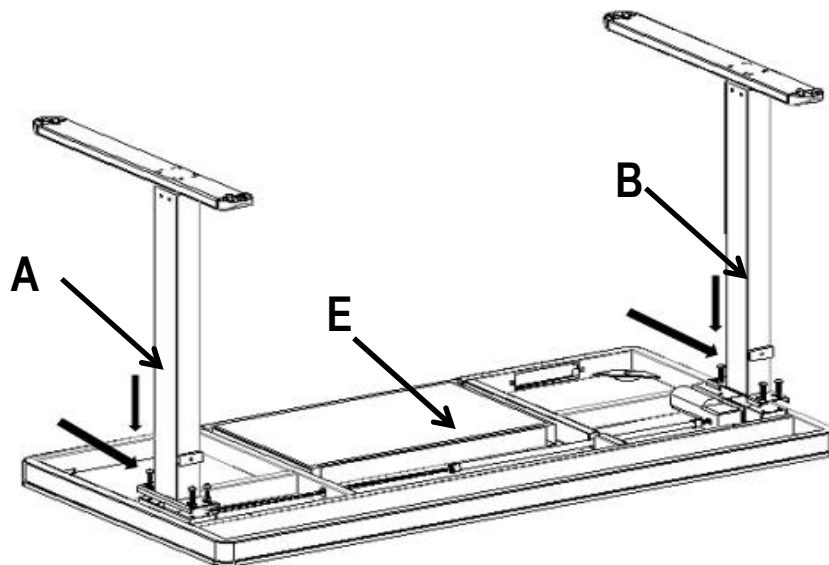
1. Connect the frame to the glass panel as shown in the picture below and lock with screws and nuts

Tools	
② 	⑤ 
Fittings	
① 	⑧ 
⑦ 	⑨ 



2. Place the left and right columns according to the picture below, and lock the screws (2) with a wrench (pay attention to the coordination of the shaft lock section inside the column, If the height of the left and right legs is different from that of the left and right legs, adjust them to the same height using an open wrench)

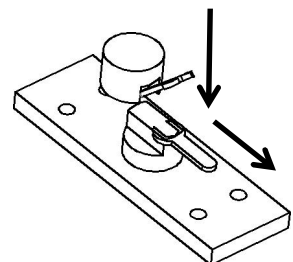
Tools	
② 	
⑤ 	





Note:

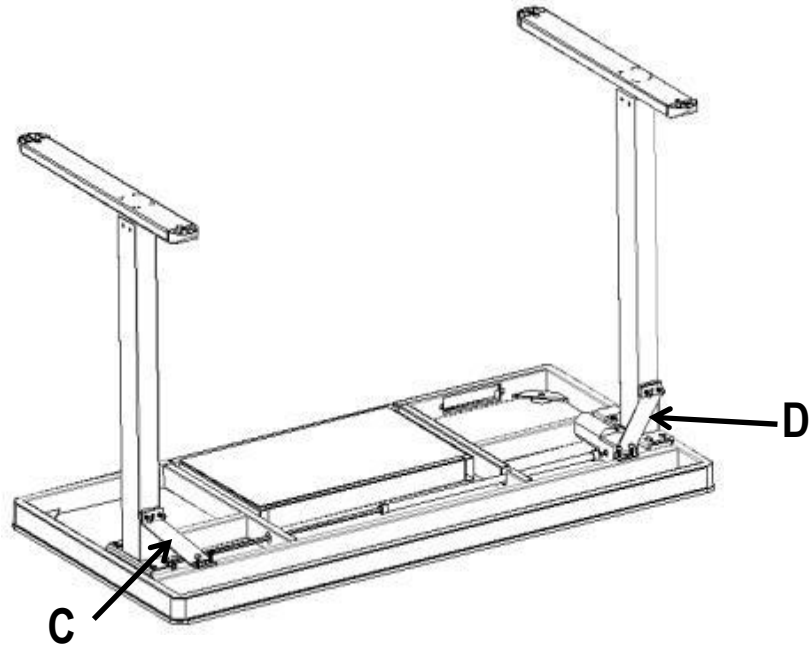
1. If the height of the left and right legs is inconsistent when unpacking the box, use an open wrench ⑤ to adjust the left and right legs to the same height
2. If the direction of the axle lock section at the connection between the table leg and the frame is not parallel when unpacking the box, please adjust it with an open wrench ⑤. After adjustment, note that the height of the left and right legs should be consistent.
- 3, open wrench ⑤ Use method: the open end of the wrench adjusts the shaft lock section of the frame, and the end of the wrench adjusts the shaft lock section of the table leg.

Shaft lock section direction diagram

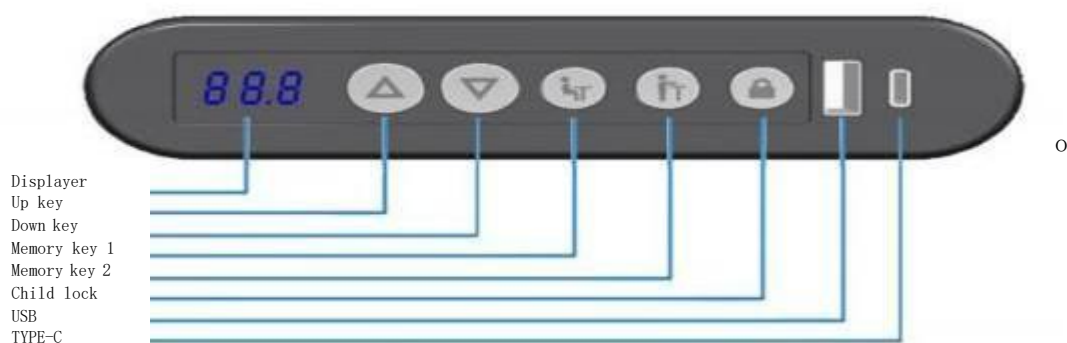


3. According to the picture below, place the left and right triangle supports above the column and frame, and tighten them with screws (① and ②)



Tools	
②	
Fittings	
①	







Operation instruction







1.1.1 Memory function



When the operation stops, long press the key  for 2 seconds to remember the current 1 position, and press again .

1.1.2 Normal reset



When the column is expected to be reset, press "" button until the motor stops, release and press "" button again for 5S, at which time "RST" will be displayed, keep pressing "" button until the table reaches the lowest point, and then go back 5mm. The controller will sound a raise tone and display a number at the same time, indicating that the reset is complete. Release the "" button during the reset process, and the column stops immediately.

When the table needs to be forcibly reset, press   " for 2 seconds at any height to reset, at this time "RST" will be displayed, keep pressing "" key until the table reaches the lowest point, and then go back 5mm. The controller will sound a prompt tone and display a number at the same time, indicating that the reset is complete. Release "" button during the reset process and the column will stop immediately.





1.1.3 Switching of imperial system

When the column is still, press " + " 5S to switch between the metric system, when the metric system, cut switch to "IH" in imperial system, and switch to "CN" in metric system.

1.1.4 Child lock

When still, press the "" button to enter the child lock, while the buzzer prompts, lock the key, display Loc, When exiting the child lock, hold down the "" button for 2 seconds to exit the child lock. At the same time, the buzzer prompts and the normal height is displayed.

1.1.5 Sedentary reminder

When it is necessary to set the sedentary prompt time, press the  +  button for 2 seconds at the same time, and 0.0H will be displayed after release. At this time, press the "" or "" key to adjust the reminder time, change 0.5H every press, and automatically start the timing without operating the key for 2 seconds. When the timing arrives, the manual will be automatically awakened and the buzzer will prompt for 5 times. When you need to close it, set the reminder time to 0.0H.