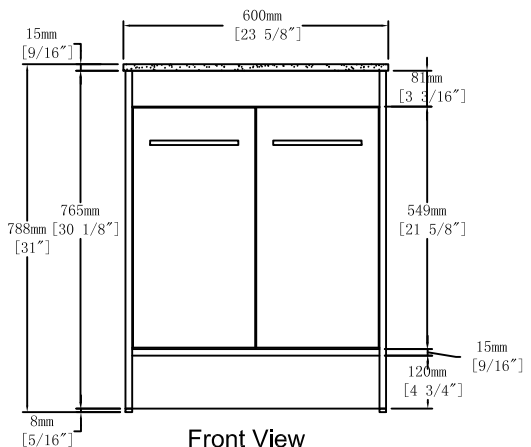
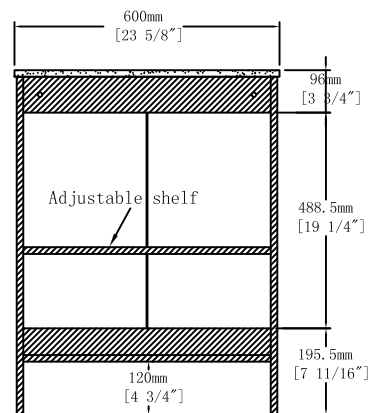


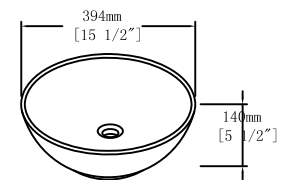
Top View



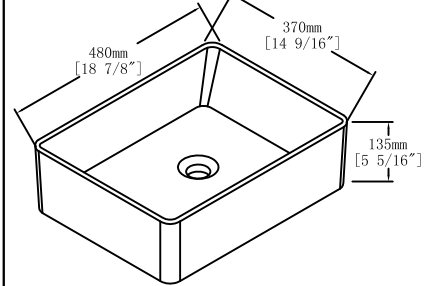
Front View



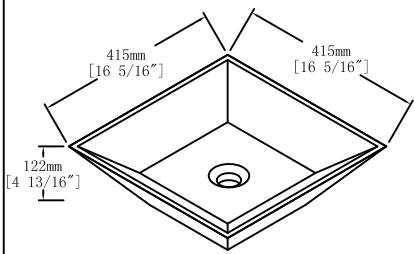
Back View



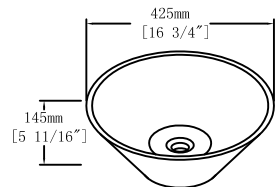
BA B321MO WH



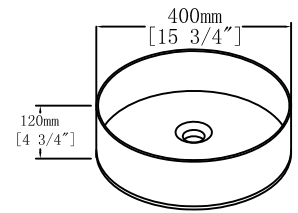
BA B110MO WH



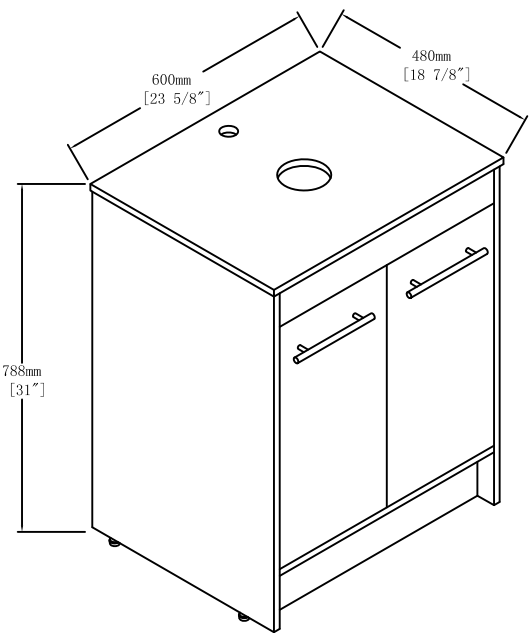
BA B101MO WH



BA B217MO WH



BA B400MO WH



788mm [31\"/>