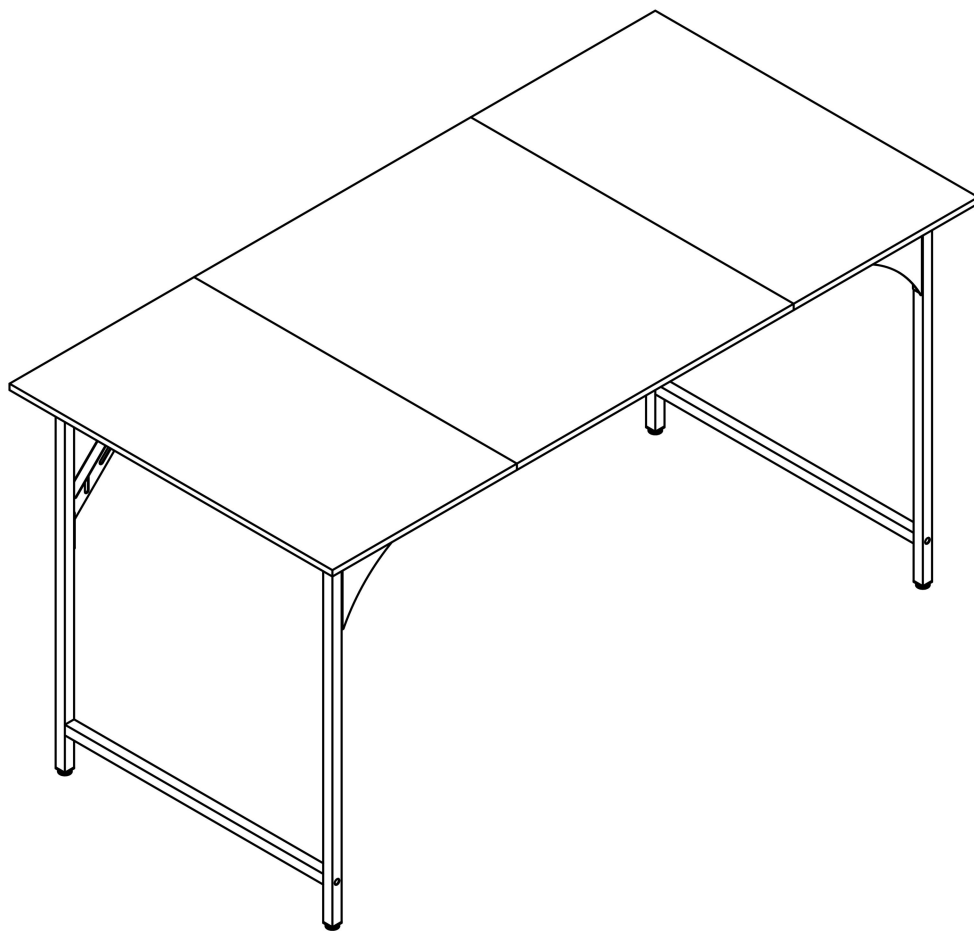


Multi-purpose Desk/Gaming Desk

Assembly Instructions



Dear Customer,

First and foremost, thank you—for choosing our desk, for trusting our brand amid countless options, and for letting us be part of your workspace journey. Whether this desk will hold your gaming gear for late-night matches or your essentials for focused work, we know how important a sturdy, reliable workspace is—and we’ re honored you gave us the chance to deliver that.

We put extra care into crafting the instruction manual you’ re holding. Every labeled part, every step-by-step illustration, and every tip was designed to make assembly smooth and stress-free. We hope it takes the hassle out of setup, so you can start enjoying your new desk faster. Quality has always been our top priority. From the laser full-welded joints that keep the frame rock-solid to the scratch-resistant finish that stands up to daily use, we built this desk to last. If you hit any snags or have questions along the way, our team is just a message away—we’ re here to make sure your experience lives up to your expectations.

If you love how this desk fits into your space, would you consider sharing it with friends or family? Word of mouth from customers like you means more than any advertisement—it’ s how we grow, and how we keep making products that matter.

Thank you again for your support. This isn’ t just a sale for us—it’ s a chance to earn your trust, and that’ s the greatest reward we could ask for.

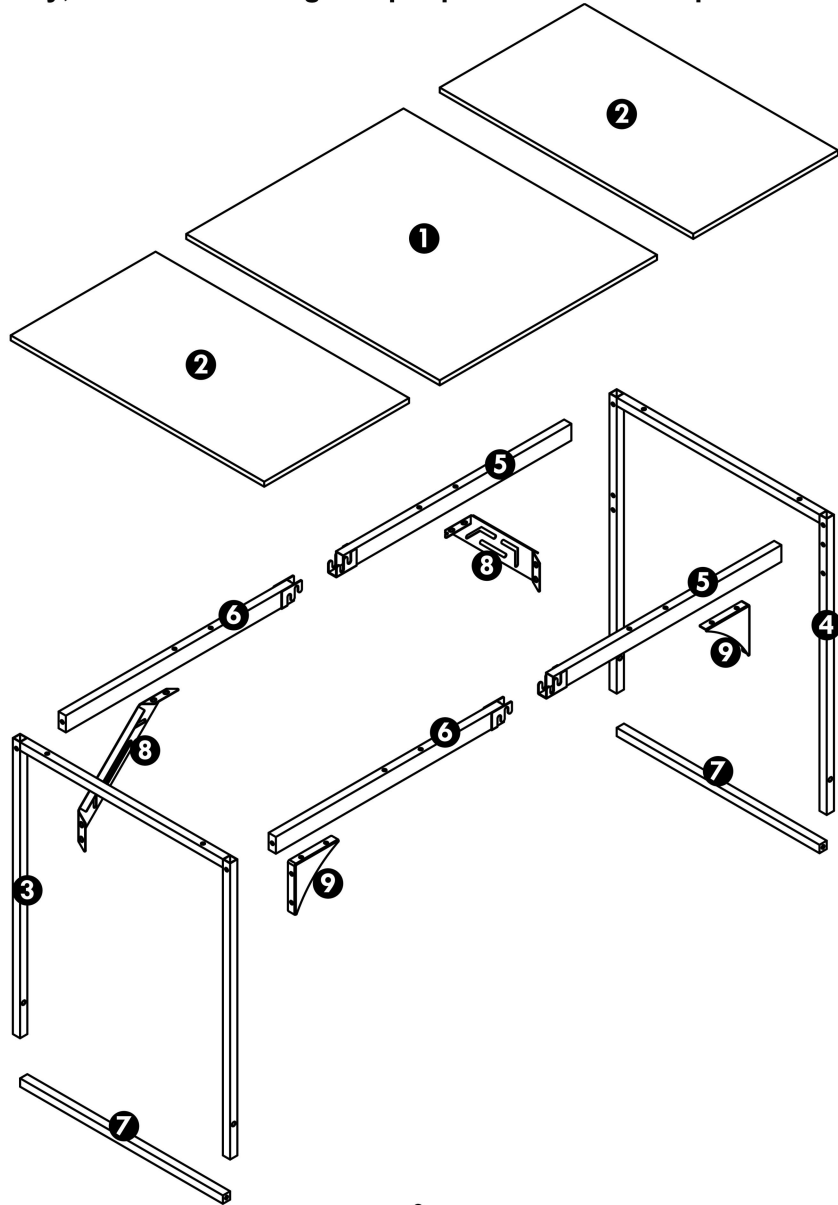
Here’ s to many productive workdays and epic gaming sessions ahead!

Warm regards

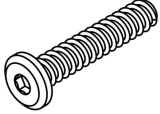

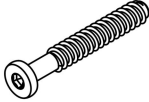


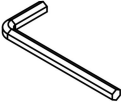
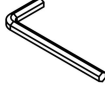
Your Support Team

Assembly List

Please check the quantity of all parts before opening any cartons or packaging materials. We recommend that you first place a protective mat or spread a carpet in the assembly area to prevent damage. For safety, we advise having two people assemble this product.



Hardware List (Please check the quantity of all parts before starting assembly)

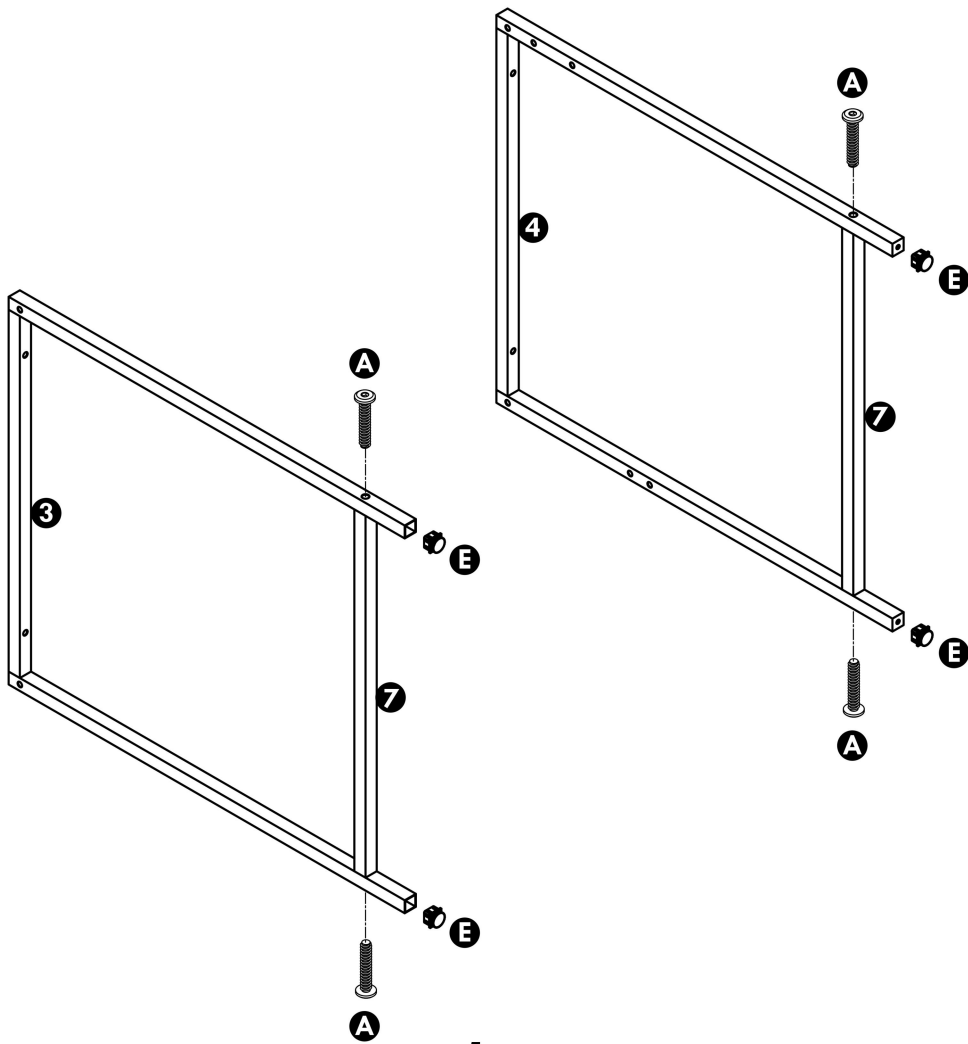
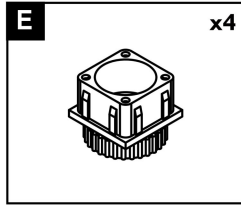
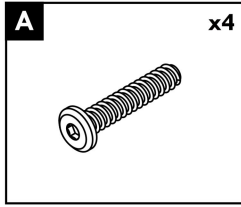
<p>A X8</p>  <p>4cmx80mm Long screw</p>	<p>B X16</p>  <p>1.6cmx80mm Short screw</p>	<p>C X8</p>  <p>5cmx60mm Long screw</p>	<p>D X4</p>  <p>3cmx60mm Short screw</p>
<p>E X4</p>  <p>Adjustble Foot</p>	<p>F X1</p>  <p>8# Allen Key</p>	<p>G X1</p>  <p>6# Allen Key</p>	

 **Skills For Locking Screws**

If multiple screws need to be tightened in the same step, do not fully tighten them initially. Once each screw is properly positioned and not tilted, you can then fully tighten all of them.

Step 1

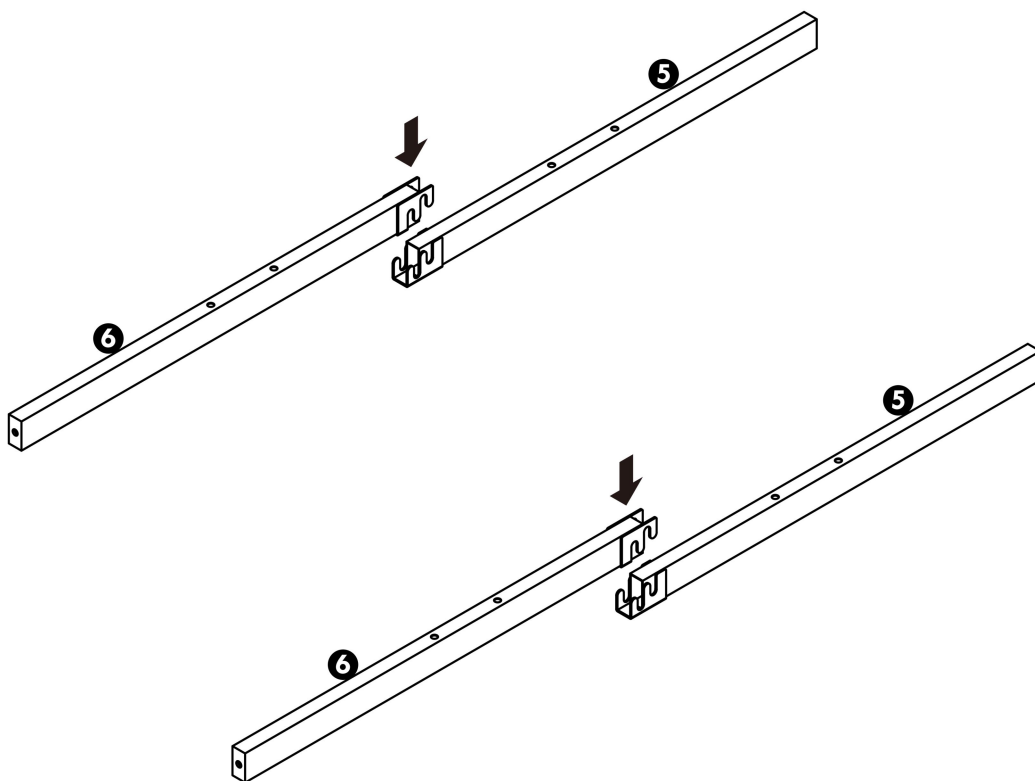
Use screws (A) to attach crossbar (7) to side frames (3) and (4). Then, install adjustable foot (E) on side frames (3) and (4).



Step 2 Interlock crossbars (5) and (6) together.

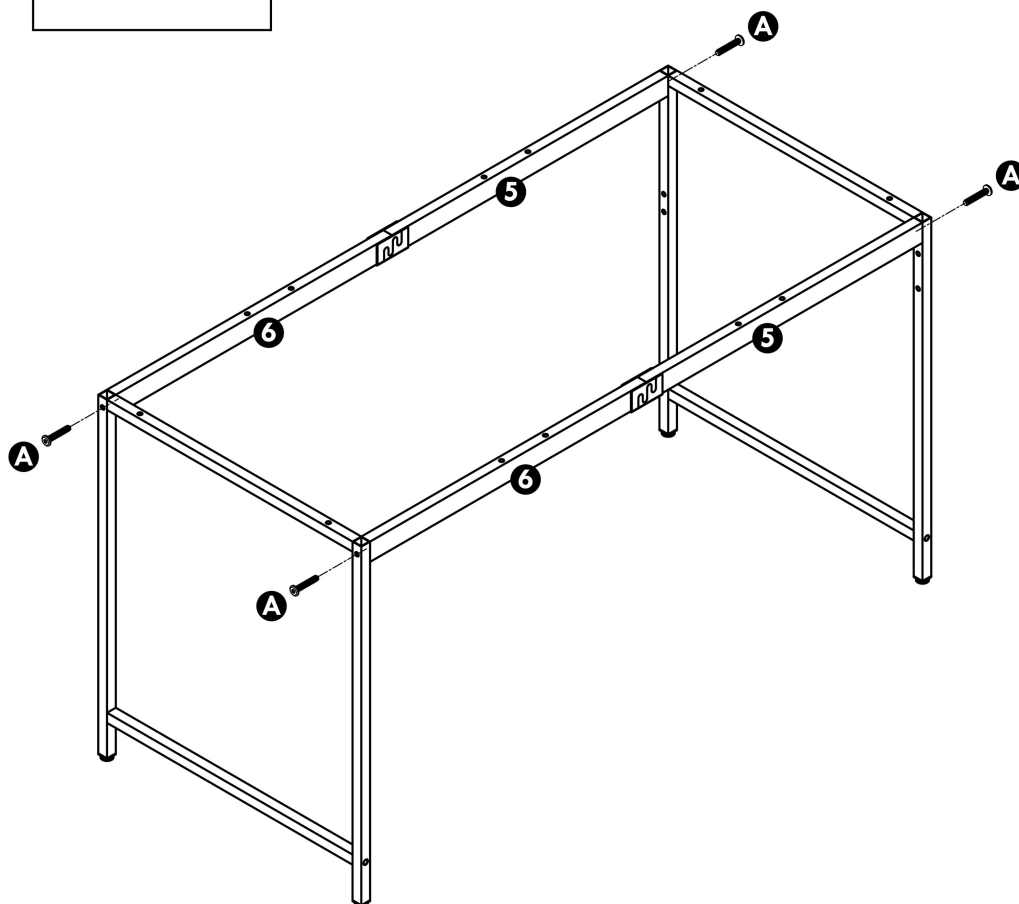
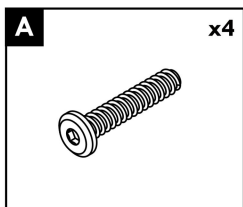
When installing, be sure to match the parts according to the numbered labels in the instruction manual to avoid misalignment of the mounting holes. Specifically, each beam labeled (6) must be paired with one labeled (5) — pairing two beams of the same model is not allowed.

To ensure the table is extra sturdy, we use laser full-welding technology at the connection points. When joining (6) and (5), you can give them a gentle tap with an external tool (e.g., a small hammer, not included). Please control your force carefully to prevent paint damage and beam warping.



Step 3

Use screws (A) to attach crossbars (5) and (6) to side frames (3) and (4).

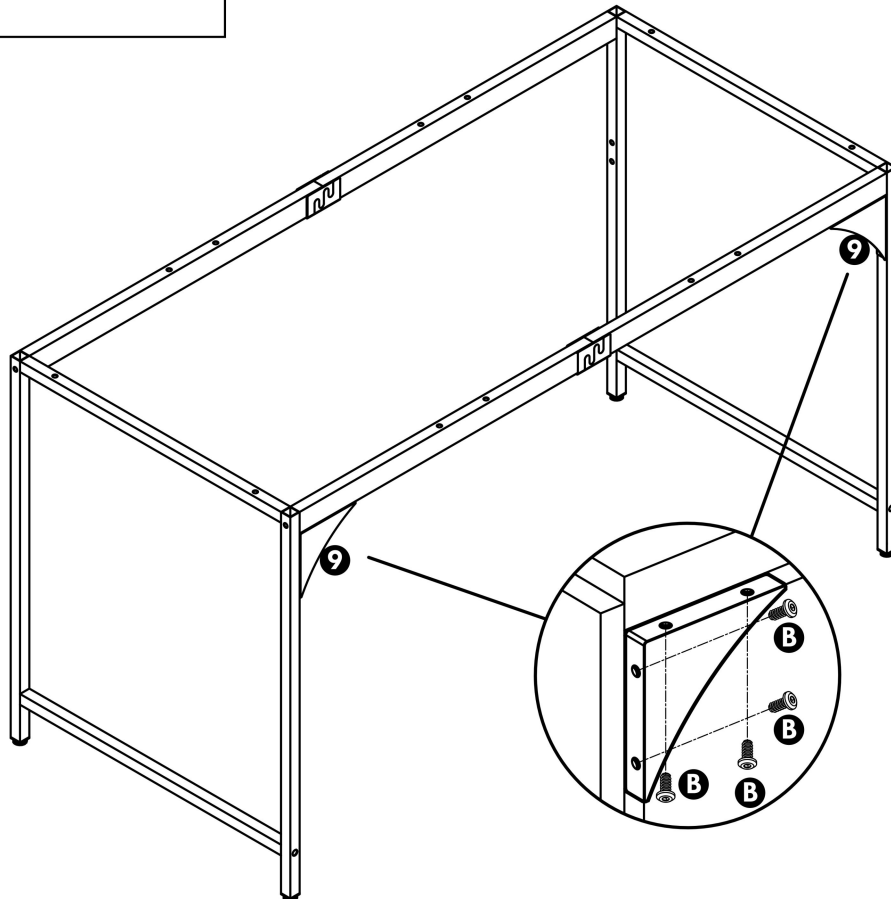
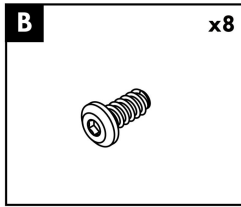


Attention

Do not fully tighten the screws until the frame assembly is completely finished.

Step 4

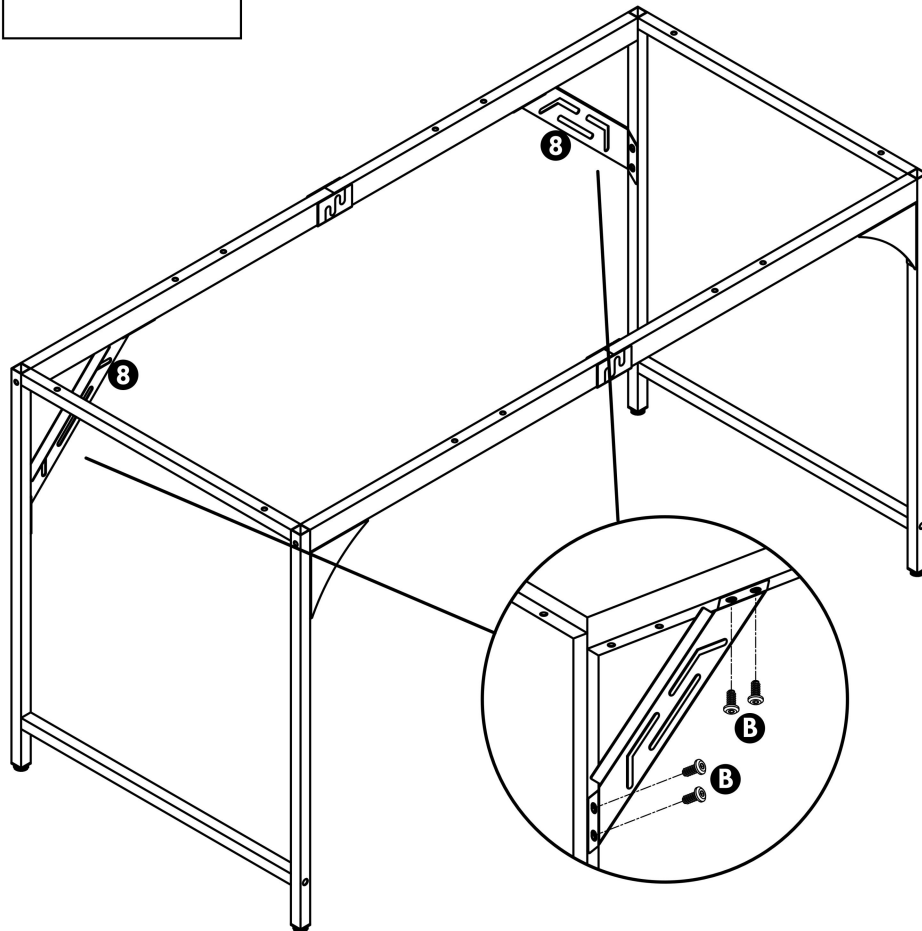
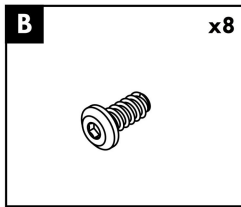
Use screws (B) to attach angle irons (9) to crossbars (5, 6) and side frames (3, 4)



! Attention
Do not fully tighten the screws until the frame assembly is completely finished.

Step 5

Use screws (B) to attach angle irons (8) to crossbars (5, 6) and side frames (3, 4).

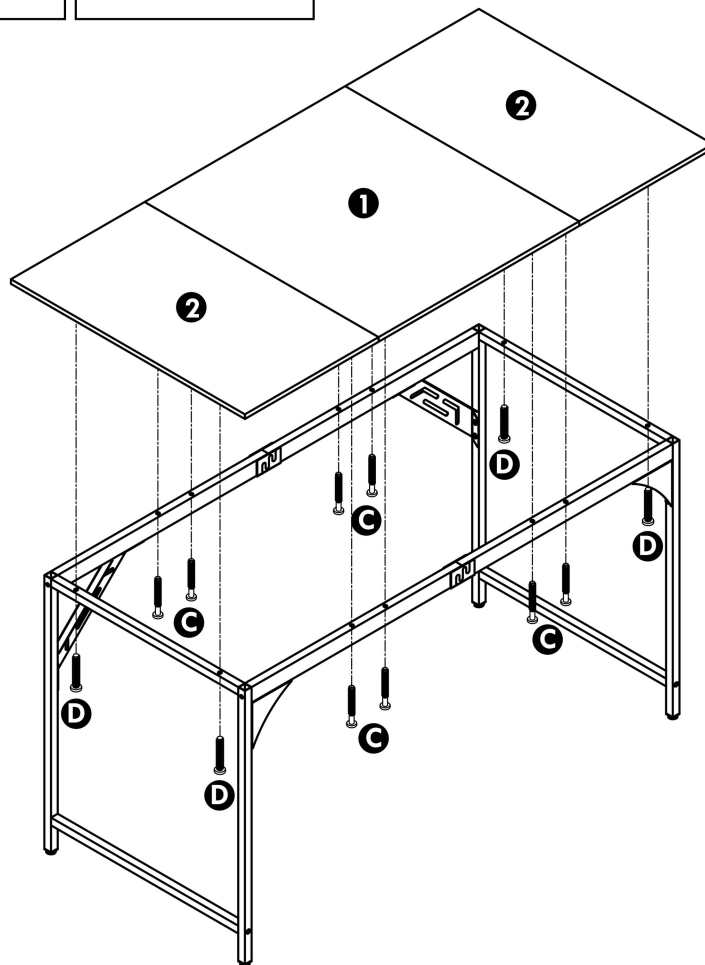
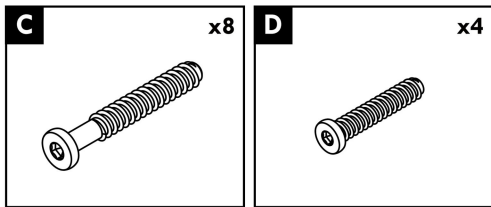


! Attention

The frame assembly is now complete. Please fully tighten all screws.

Step 6

Use screws (C) and (D) to attach table tops (1) and (2) to the table frame.



Congratulations!

The product assembly is now complete.

We sincerely appreciate your time and effort. I hope this table can accompany you for a long time and witness every beautiful moment of your work, study or life.

If you are satisfied with the product, don't forget to share this joy with your friends, which is a great support for us.

I wish you a happy use!