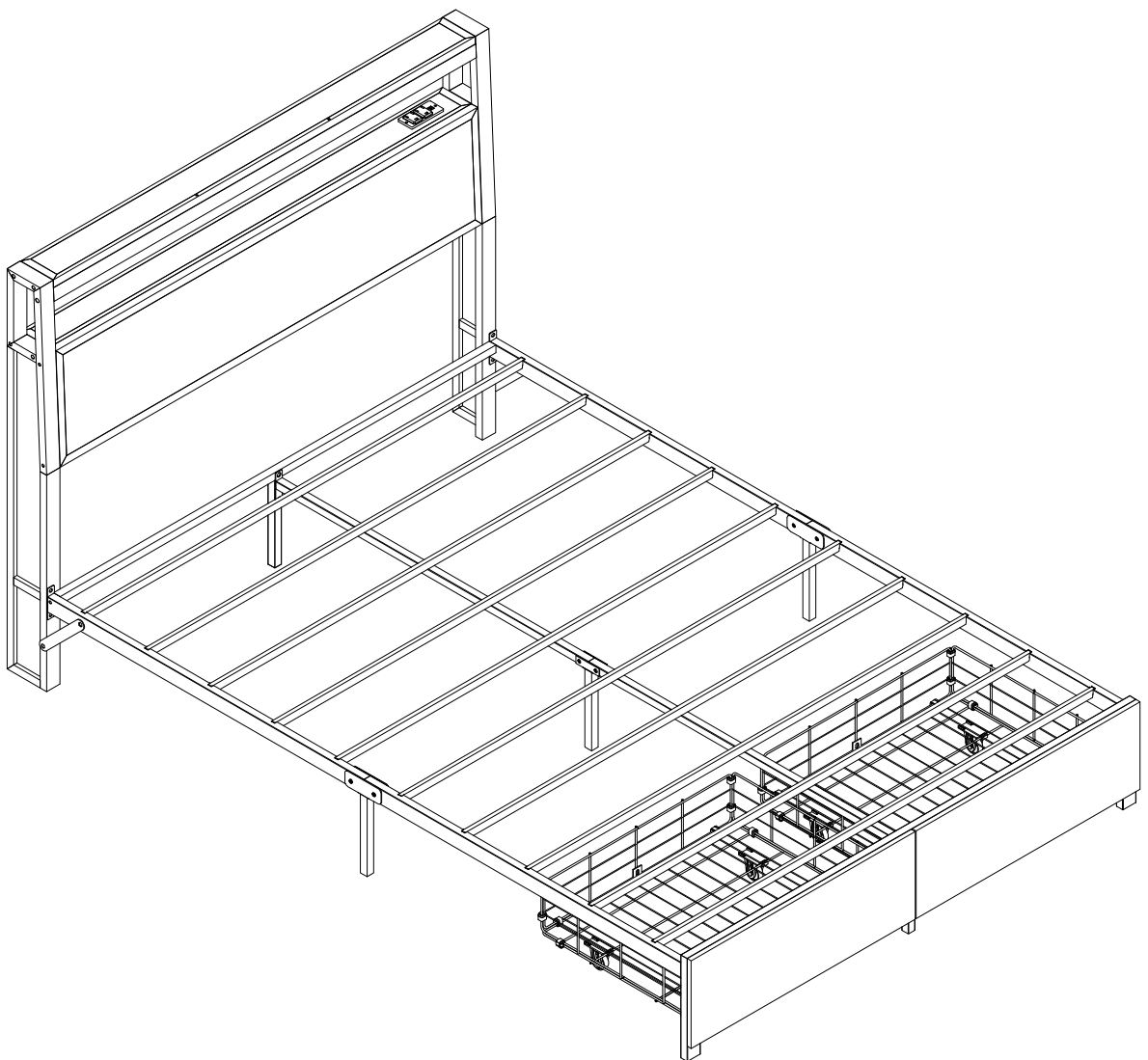
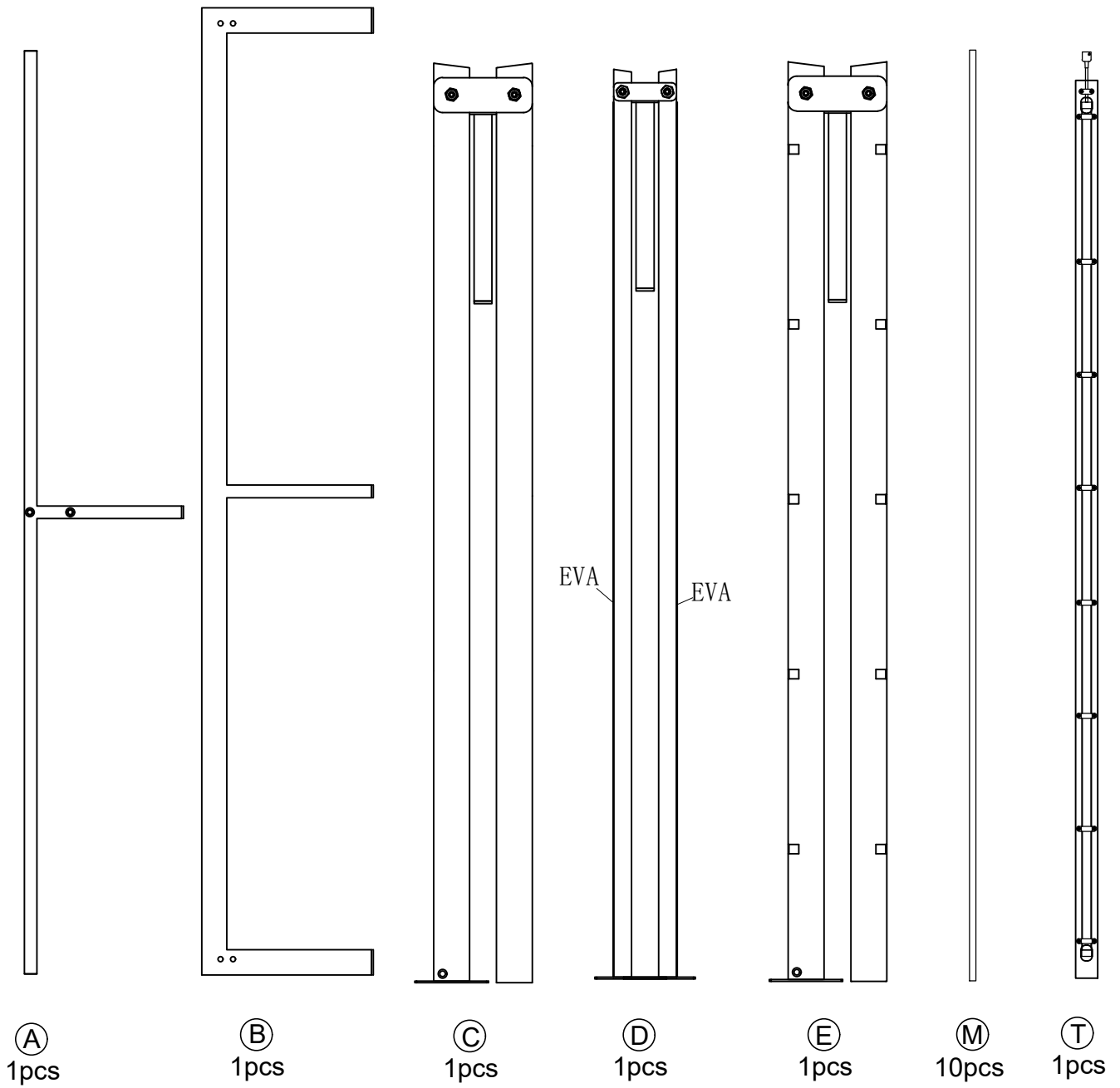


# Installation & Assembly

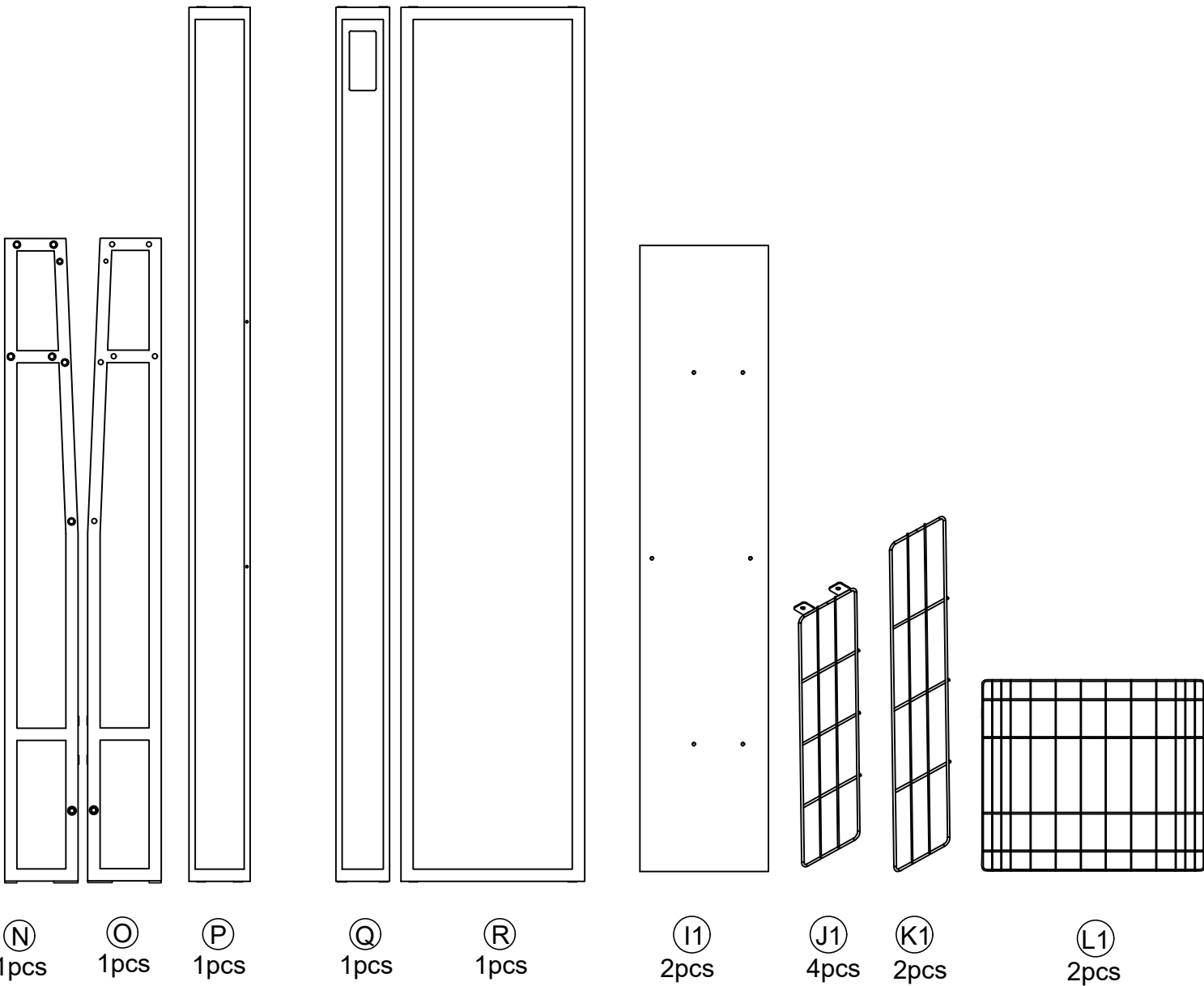
## Bed Frame



# Parts List:



# Parts List:



# Parts List:



M6x10mm

(O1)

10pcs



M6x10mm

(P1)

2pcs



M4x10mm

(A1)

3pcs



M8x15mm

(B1)

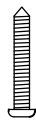
12pcs



M6x50mm

(G1)

2pcs



M4x30mm

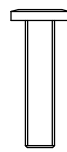
(H1)

2pcs



(V)

1pcs



M8x35mm

(D1)

4pcs



M8x50mm

(E1)

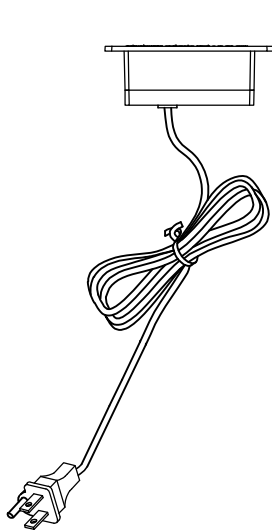
12pcs



M6x35mm

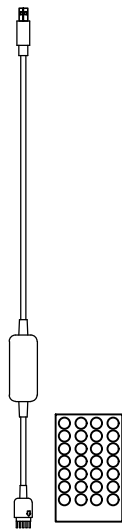
(F1)

2pcs



(Z)

1pcs



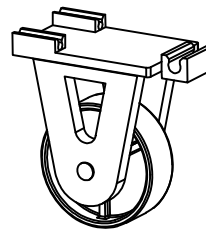
(W)

1pcs



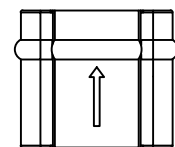
(U)

2pcs



(M1)

8pcs

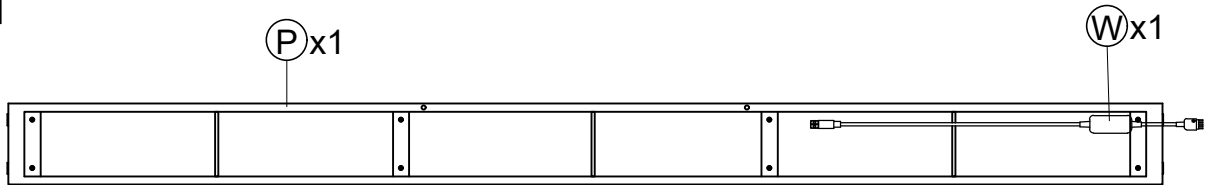


(Q1)

20pcs

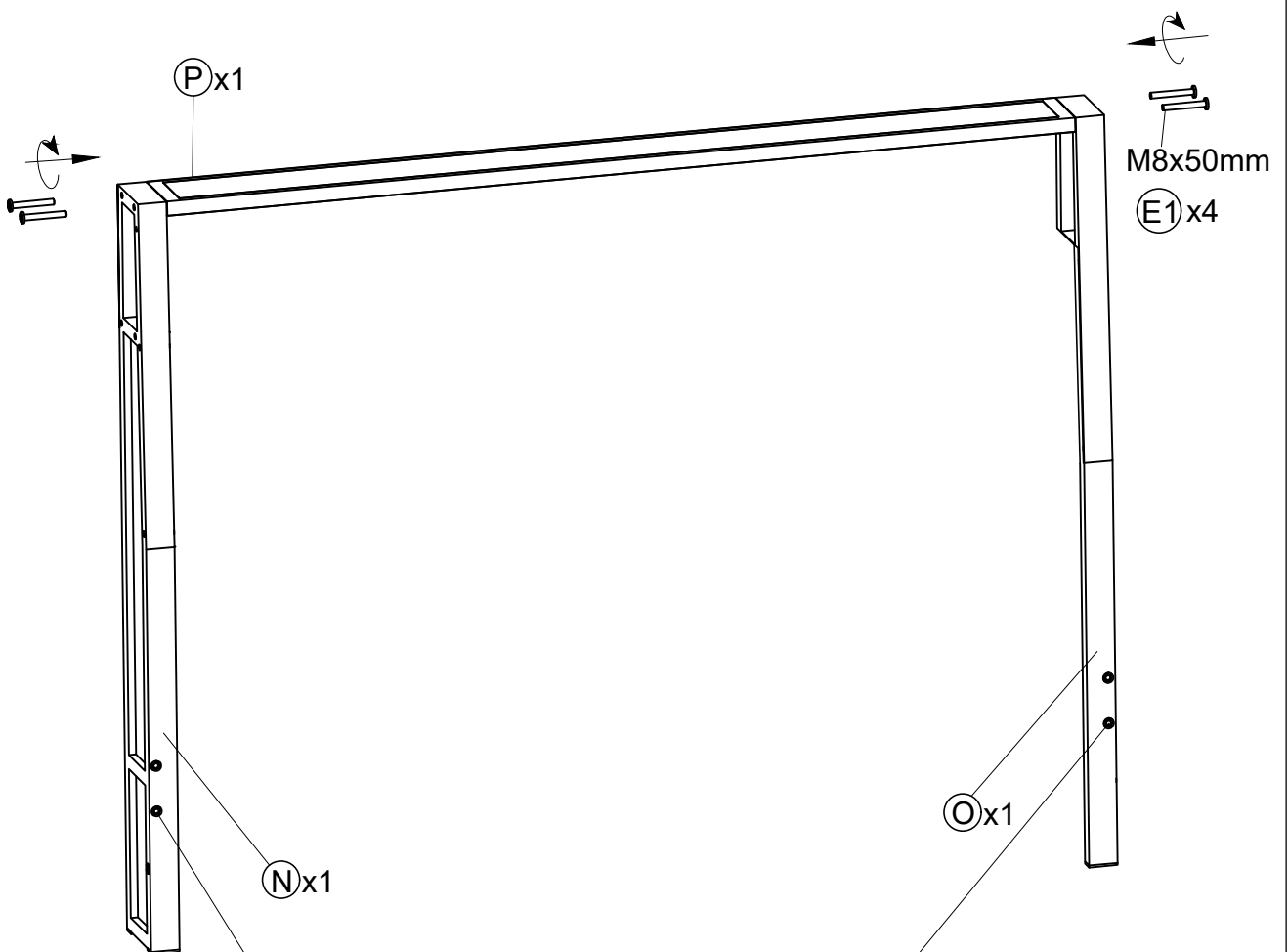
# STEP 1

1.1



Tear off the double-sided adhesive tape of the "W" and then stick it to "P"

1.2



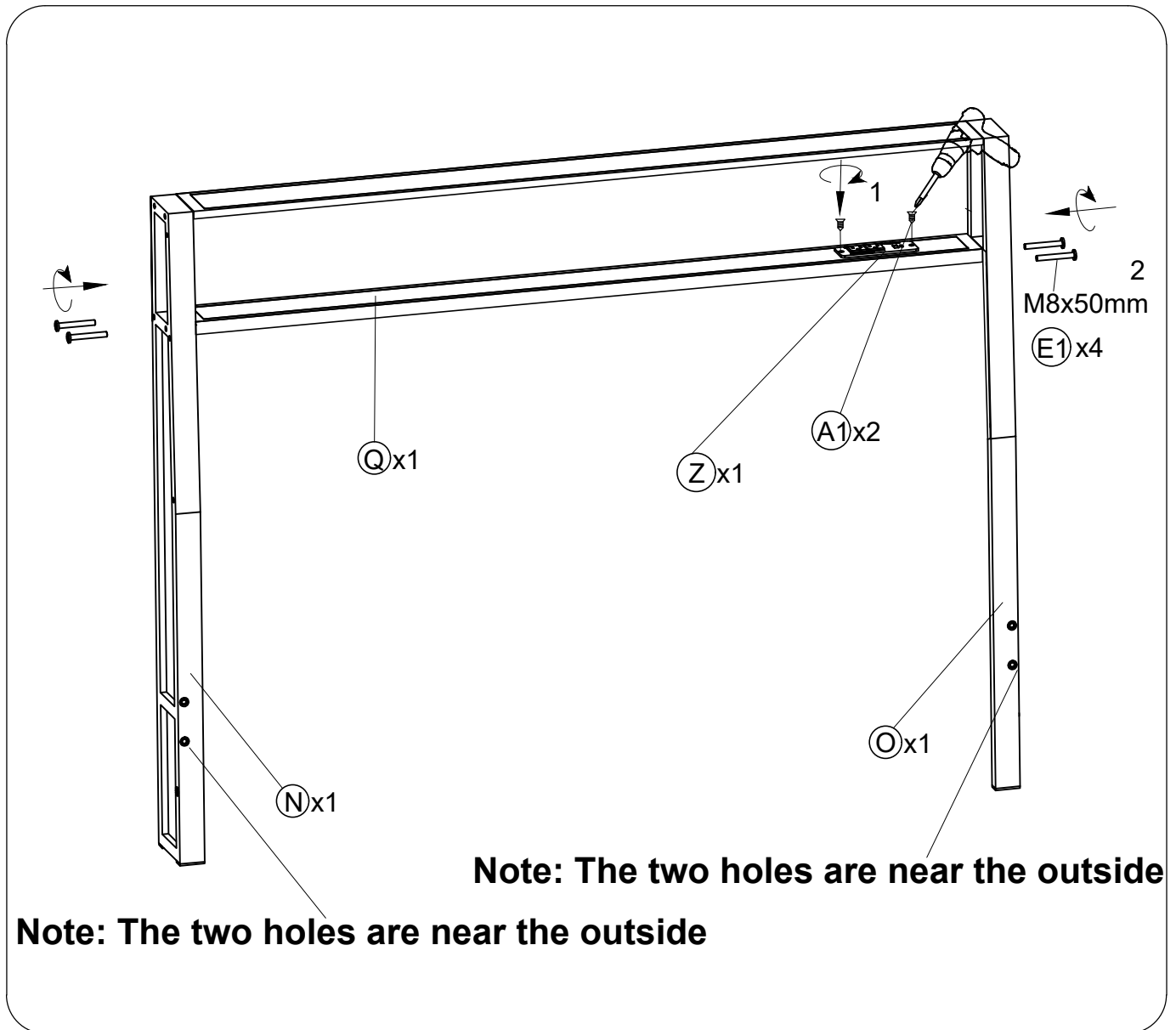
**Note: The two holes are near the outside**

**Note: The two holes are near the outside**

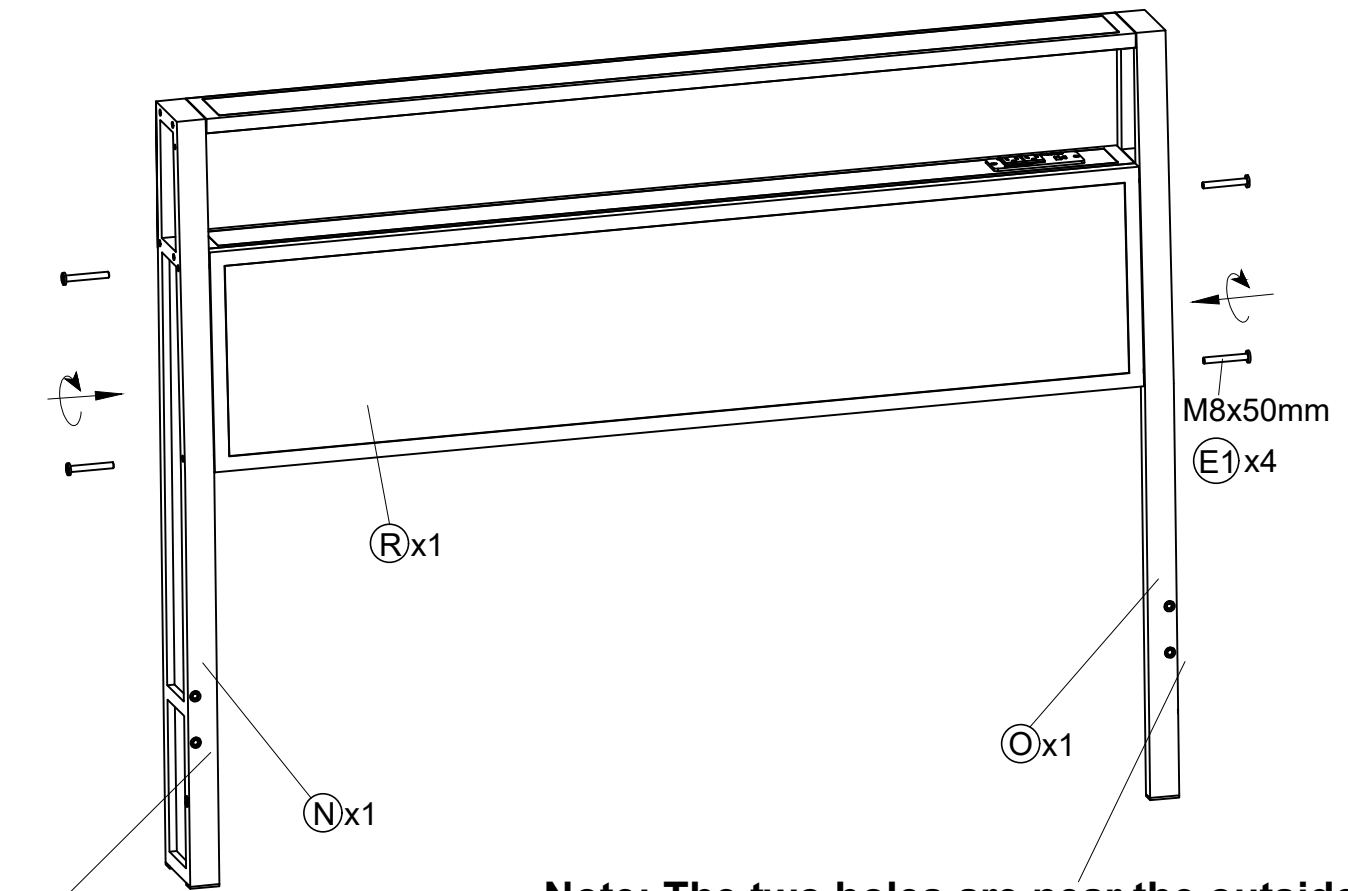
## STEP 2

We suggest using drill machine to install A1 screws

\*Note: no holes on the board is normal



# STEP 3

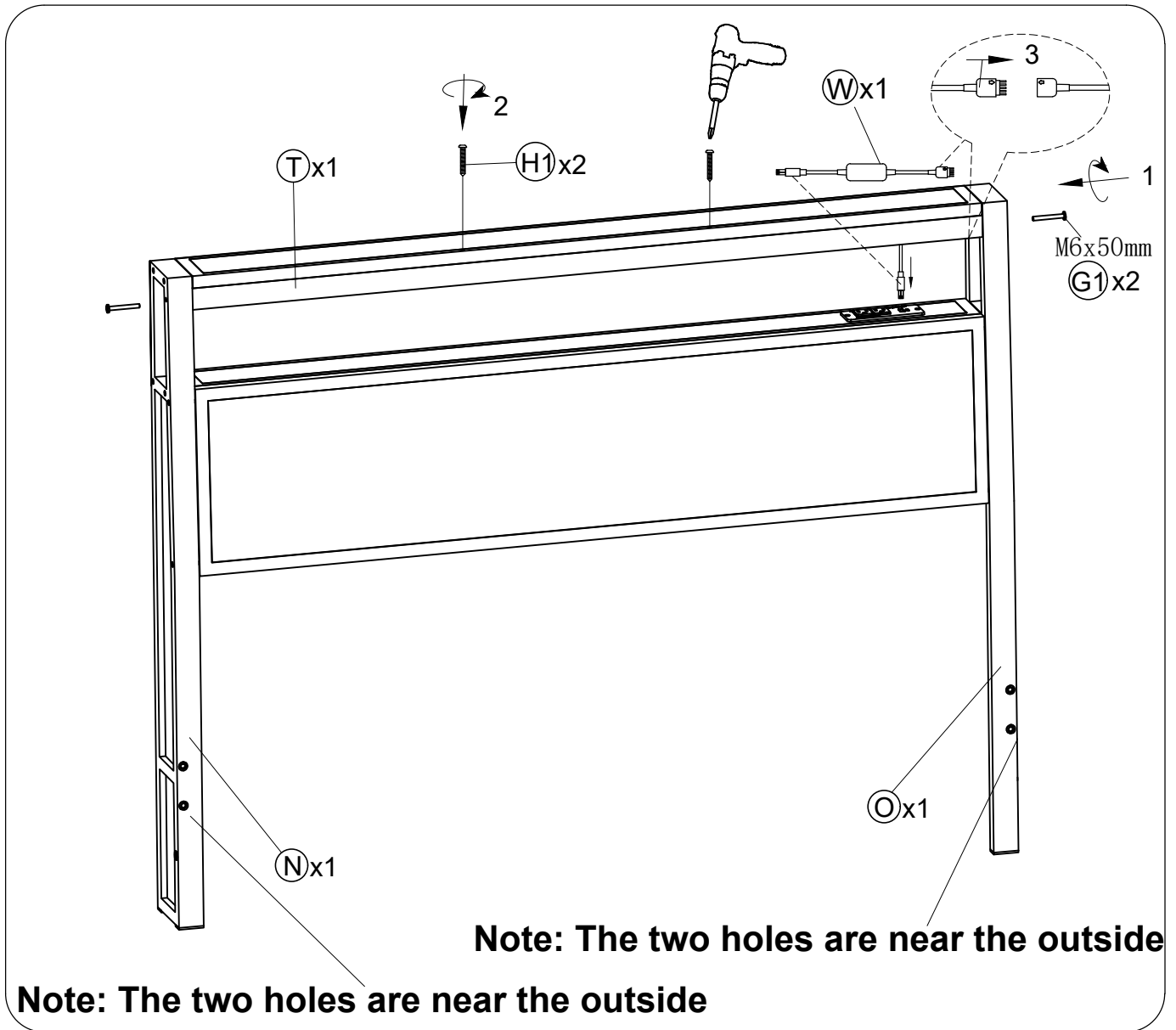


**Note: The two holes are near the outside**

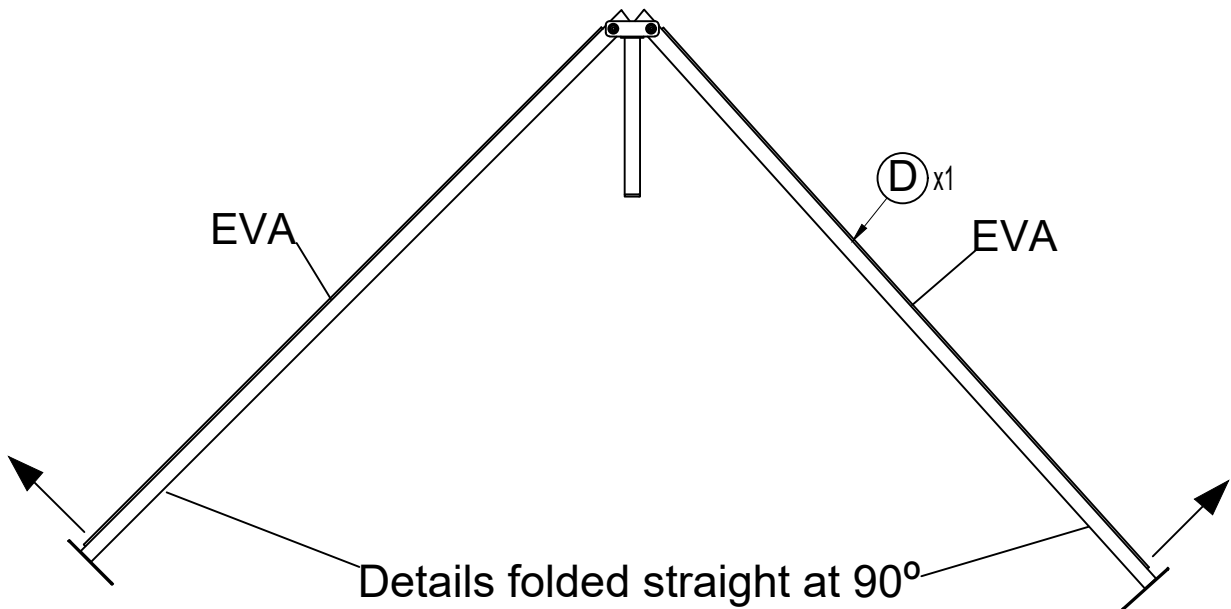
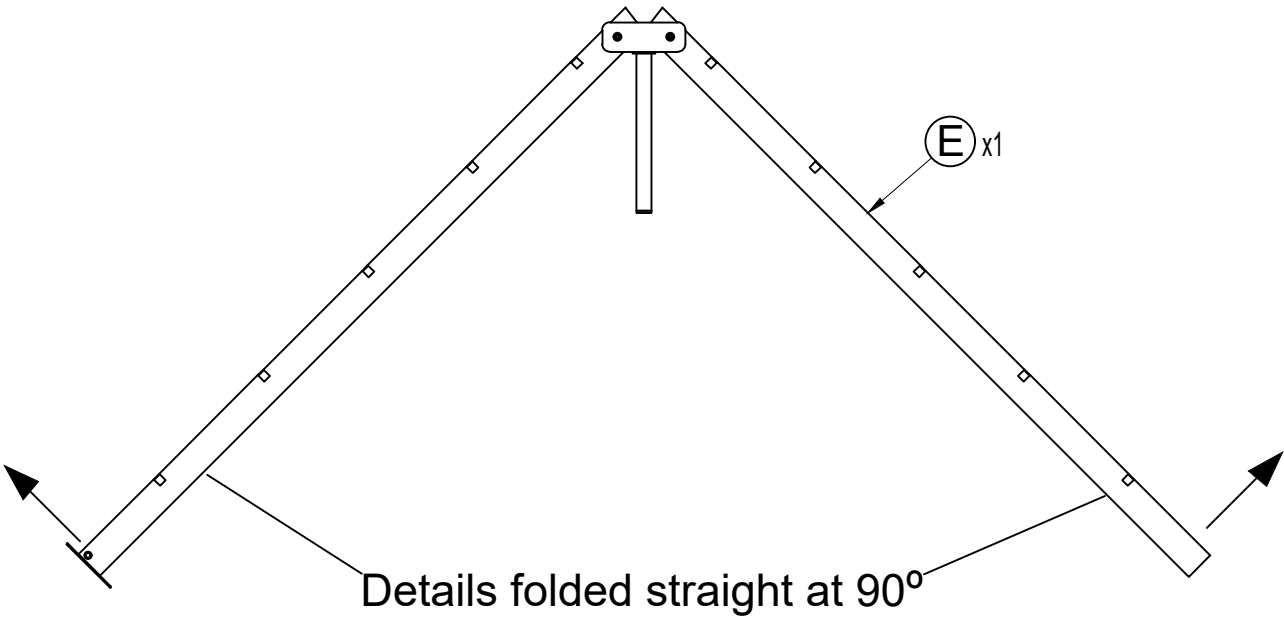
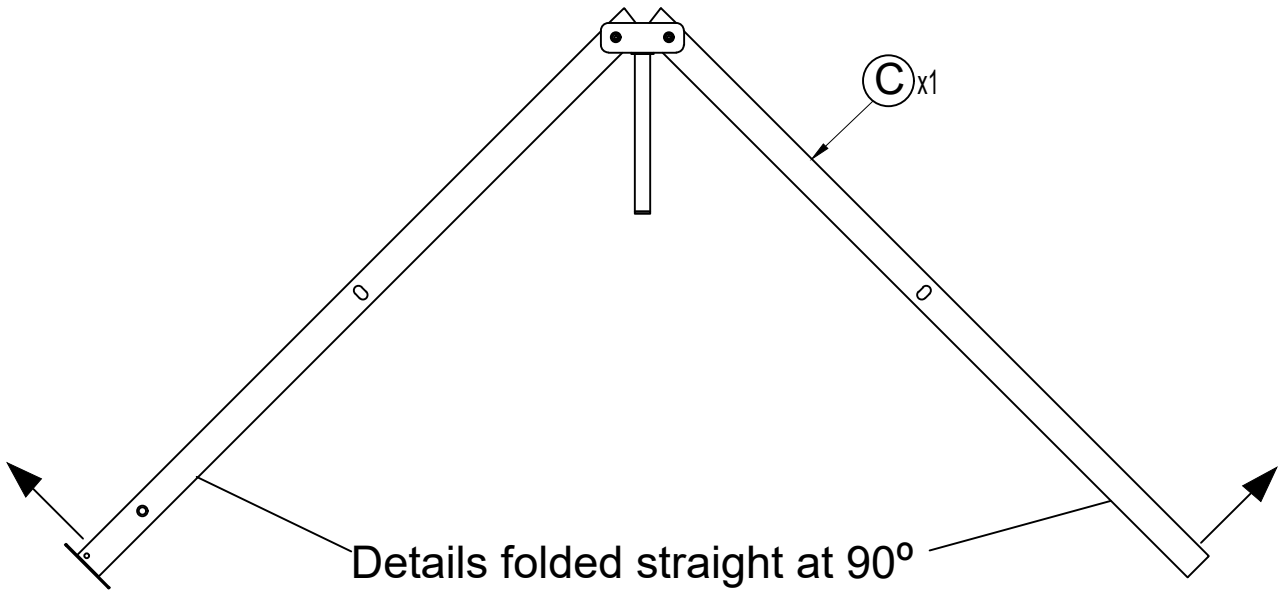
**Note: The two holes are near the outside**

# STEP 4

We suggest using drill machine to install H1 screws

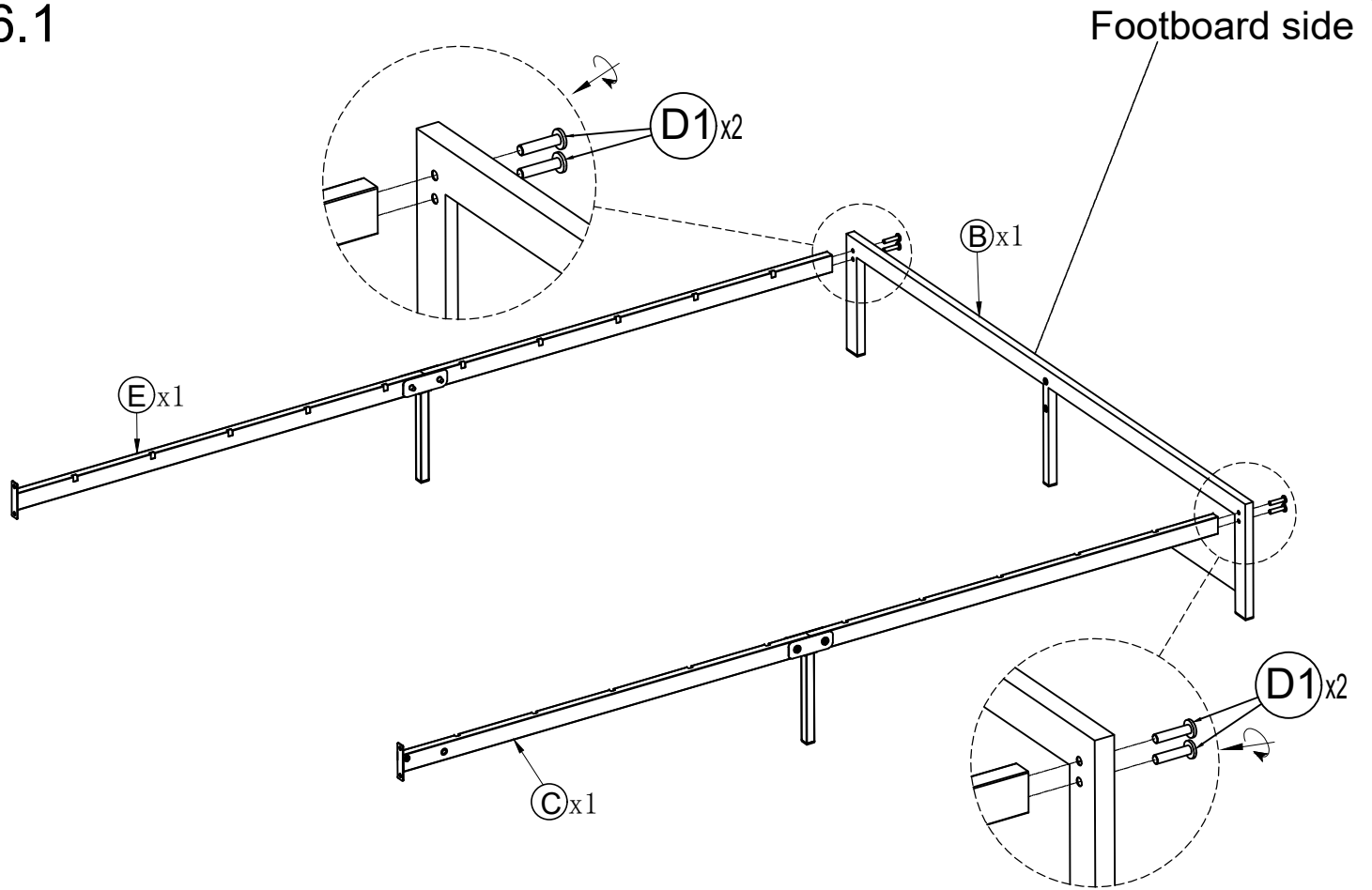


# STEP 5

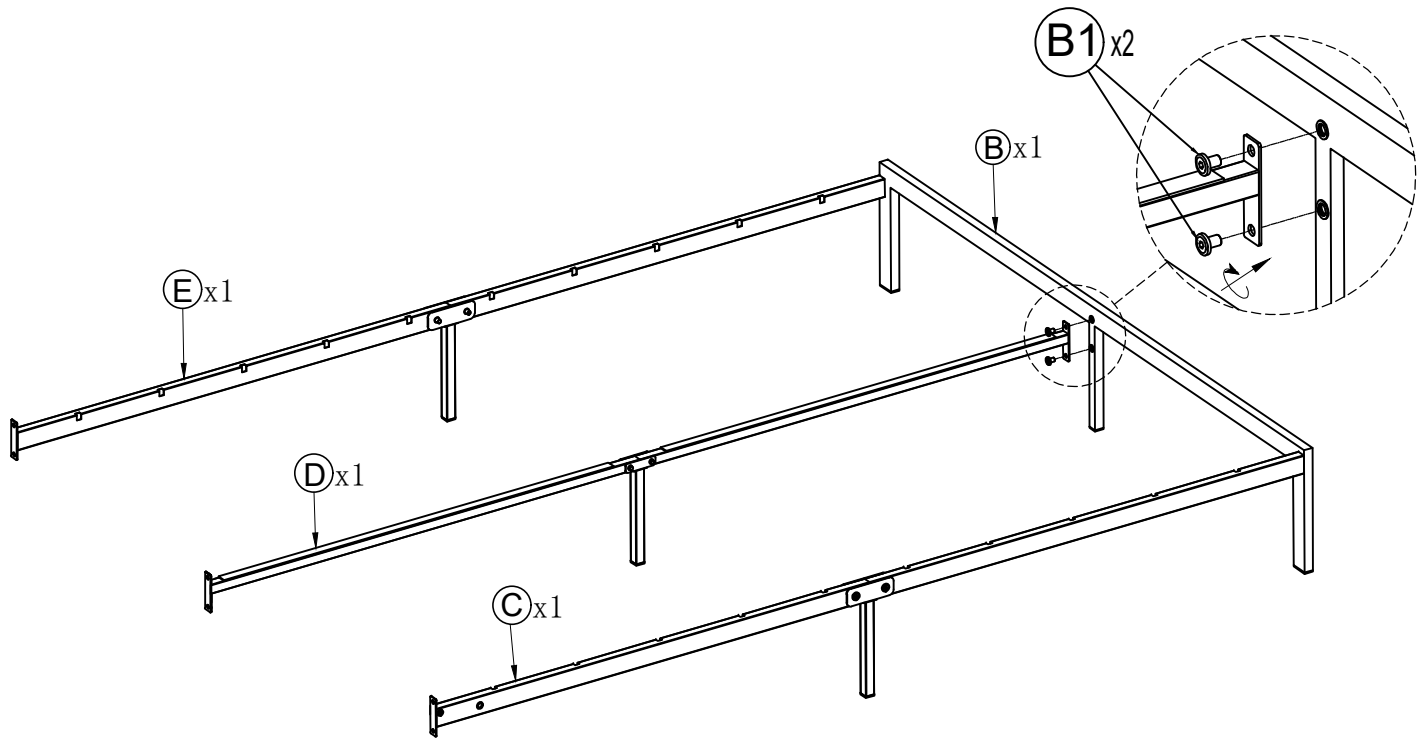


# STEP 6

6.1

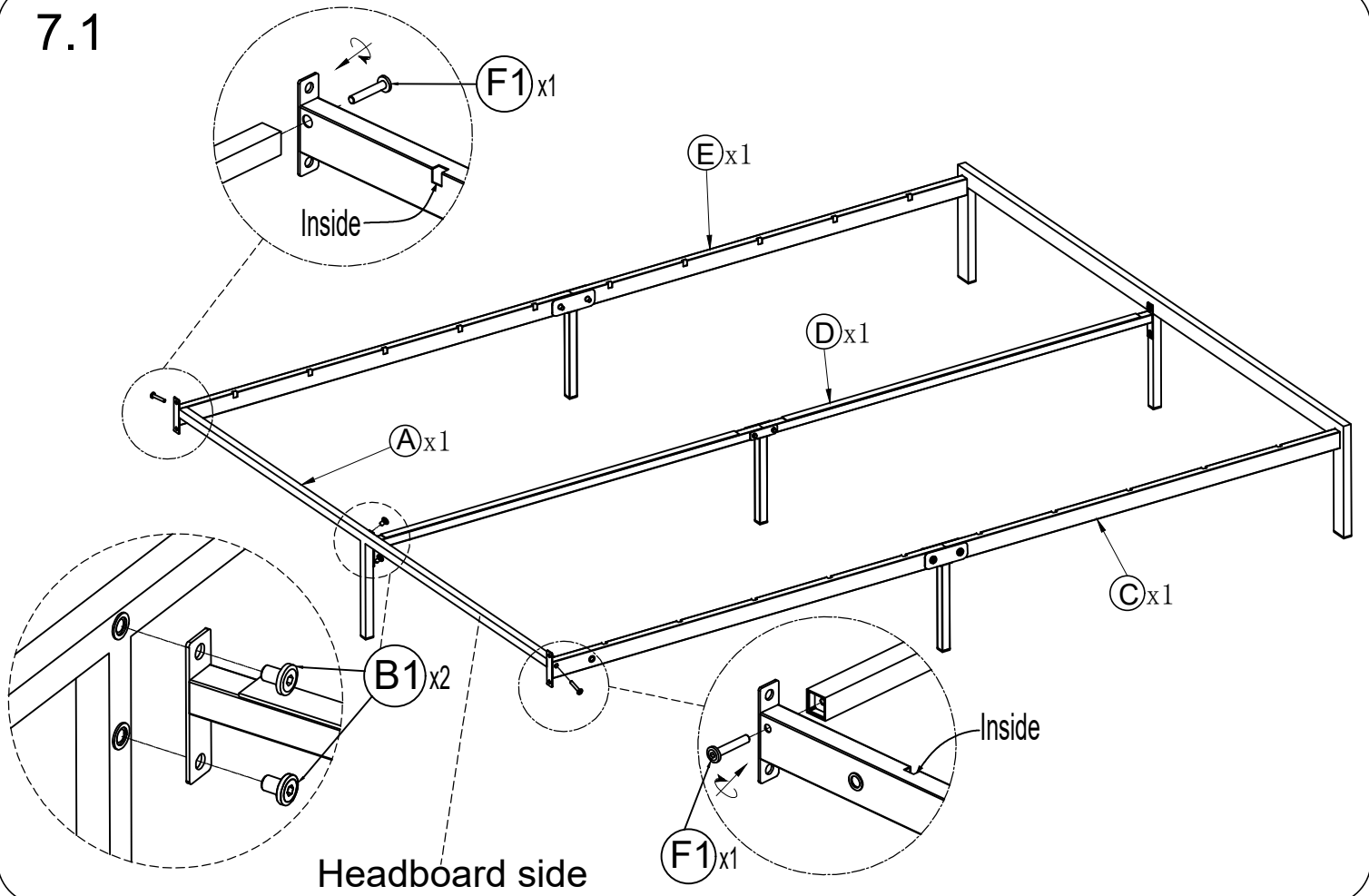


6.2

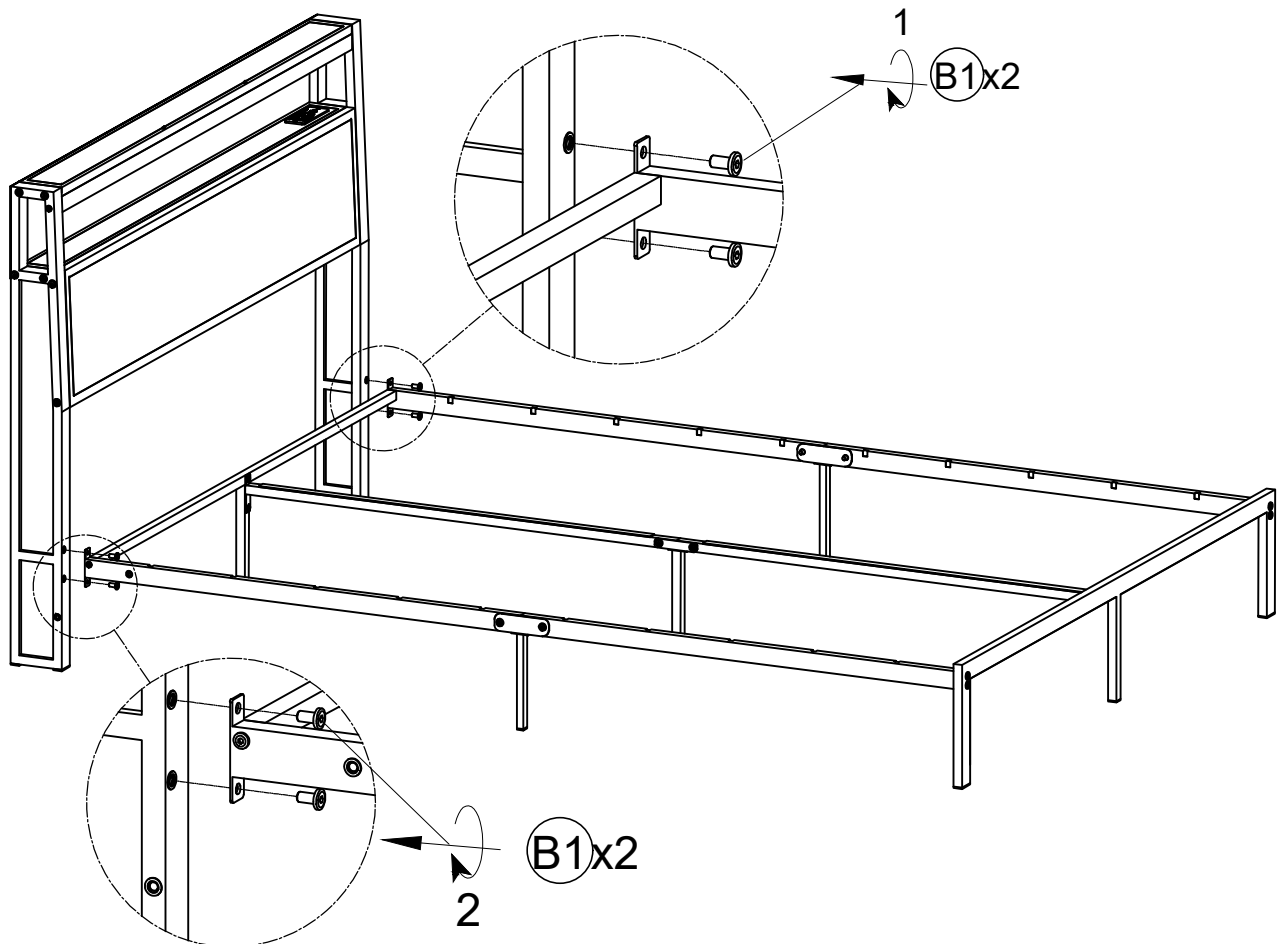


# STEP 7

7.1

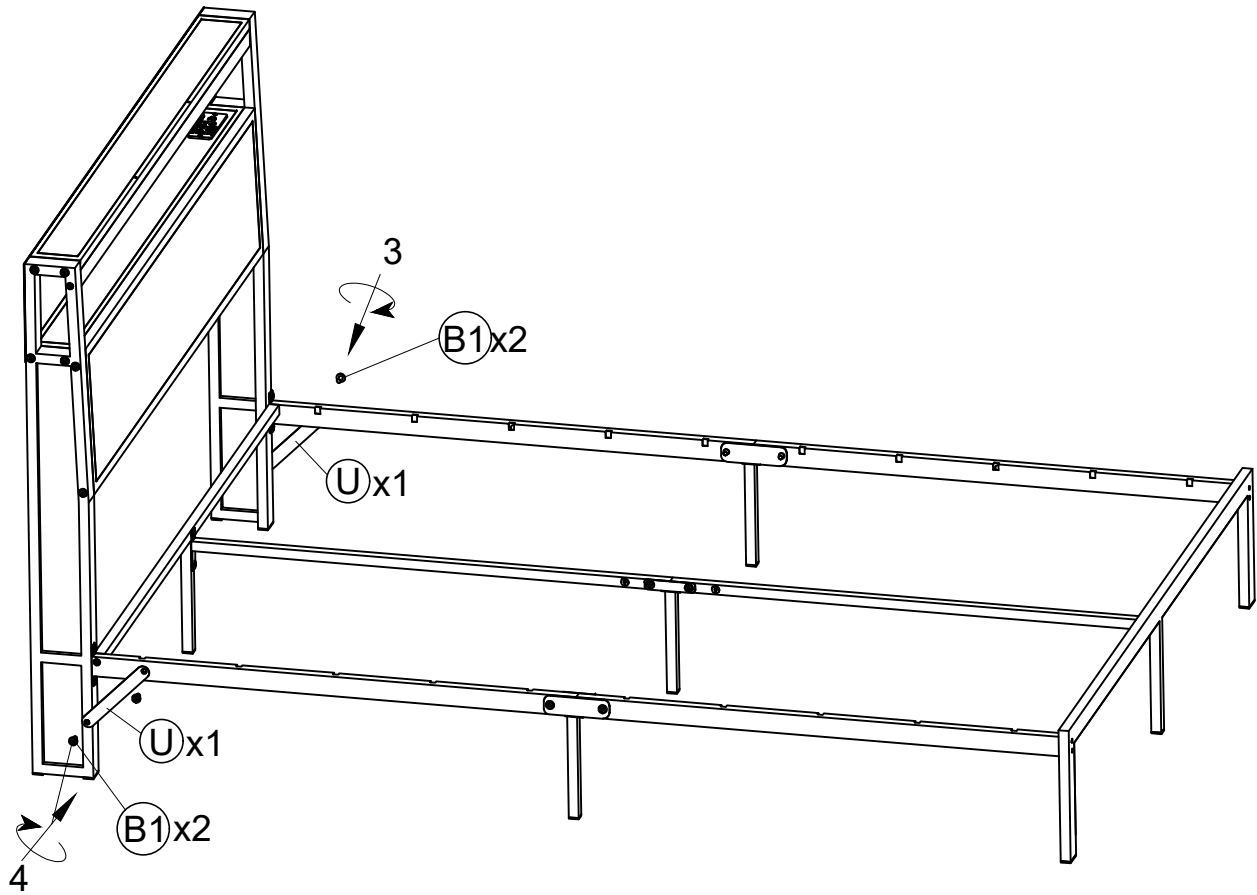


7.2

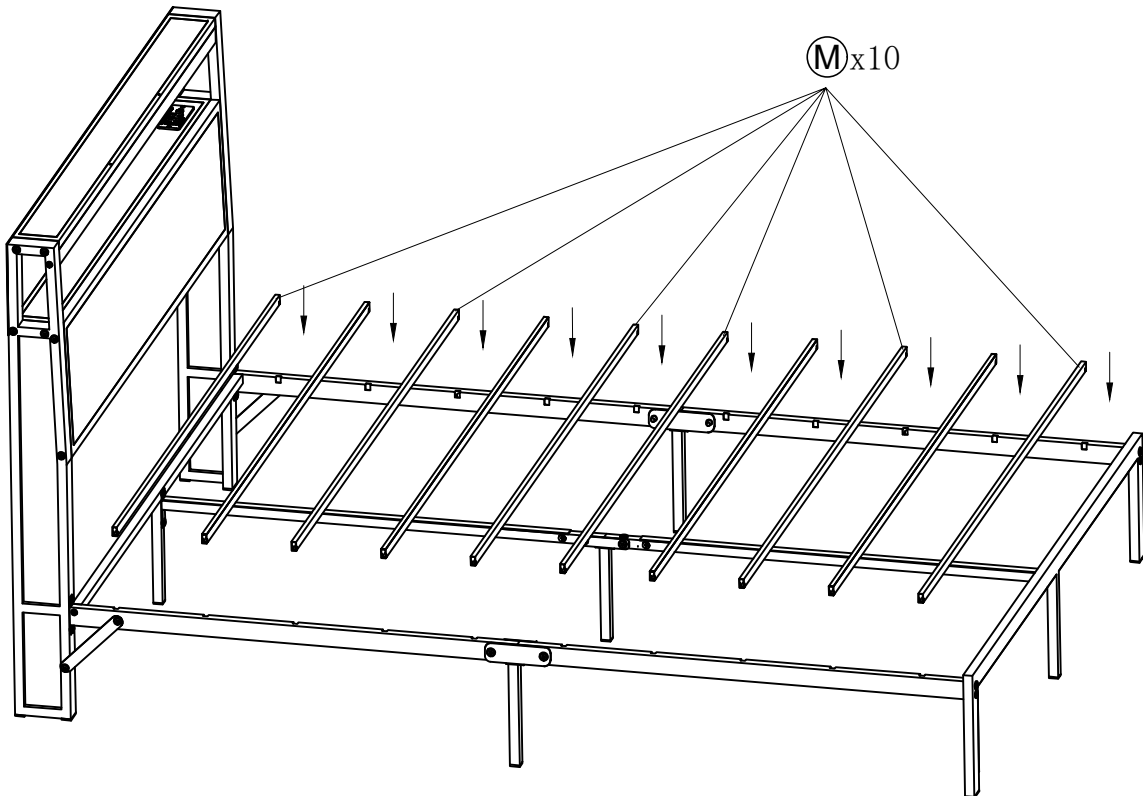


# STEP 8

8.1

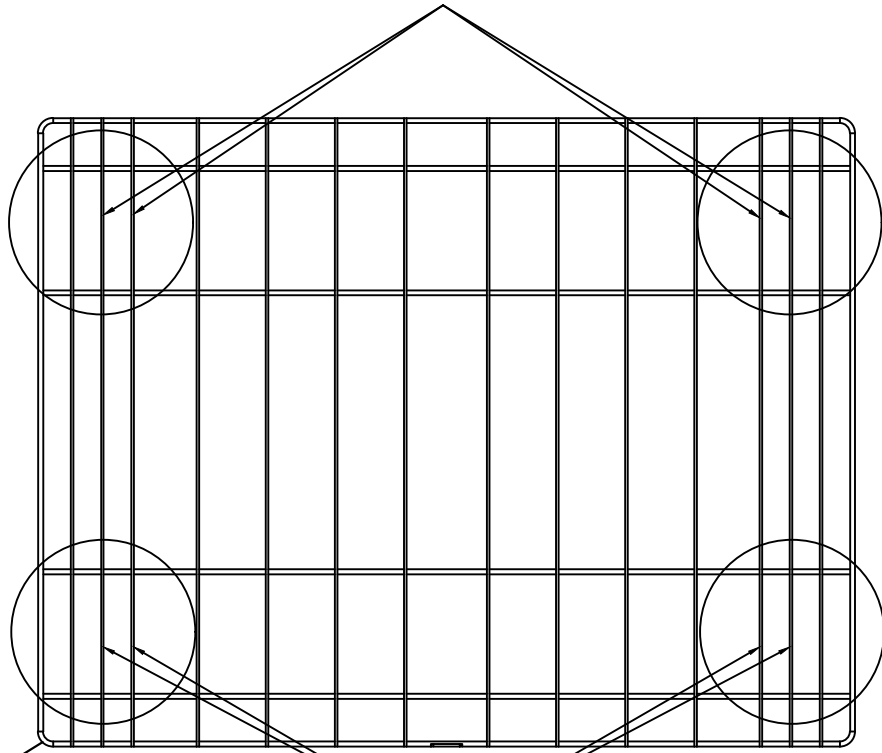


8.2



STEP 9

Wheel mounting position



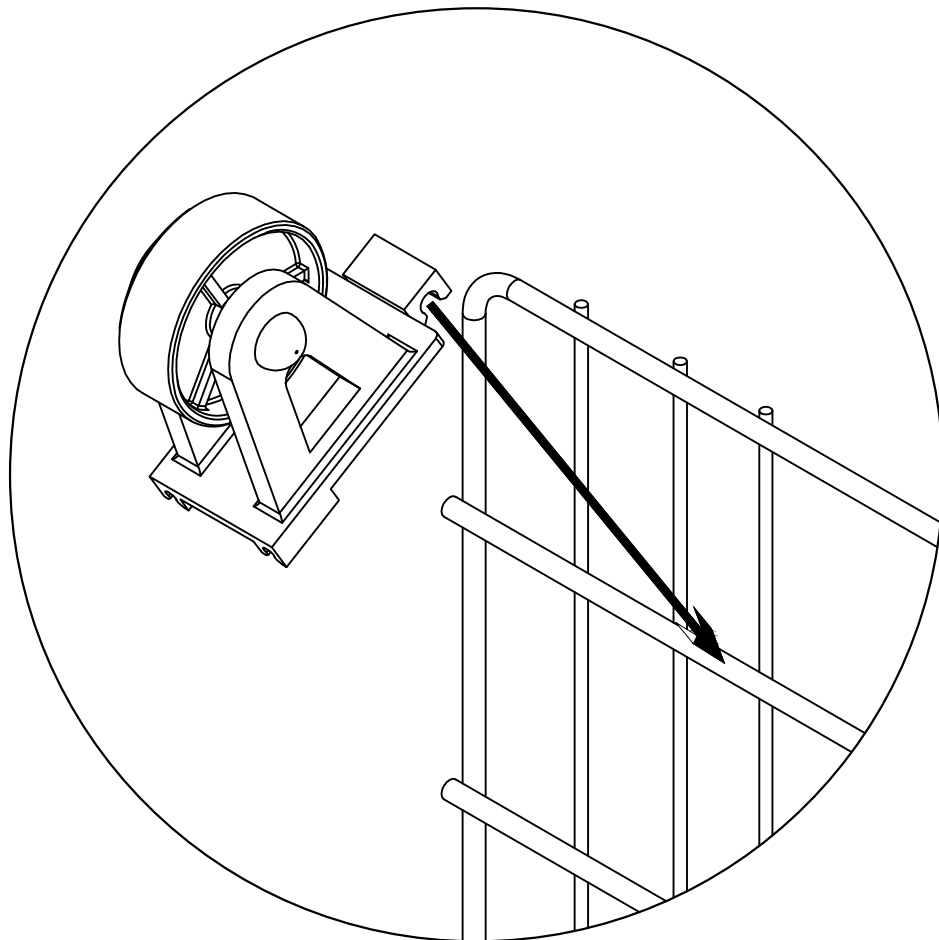
L1

Wheel mounting position

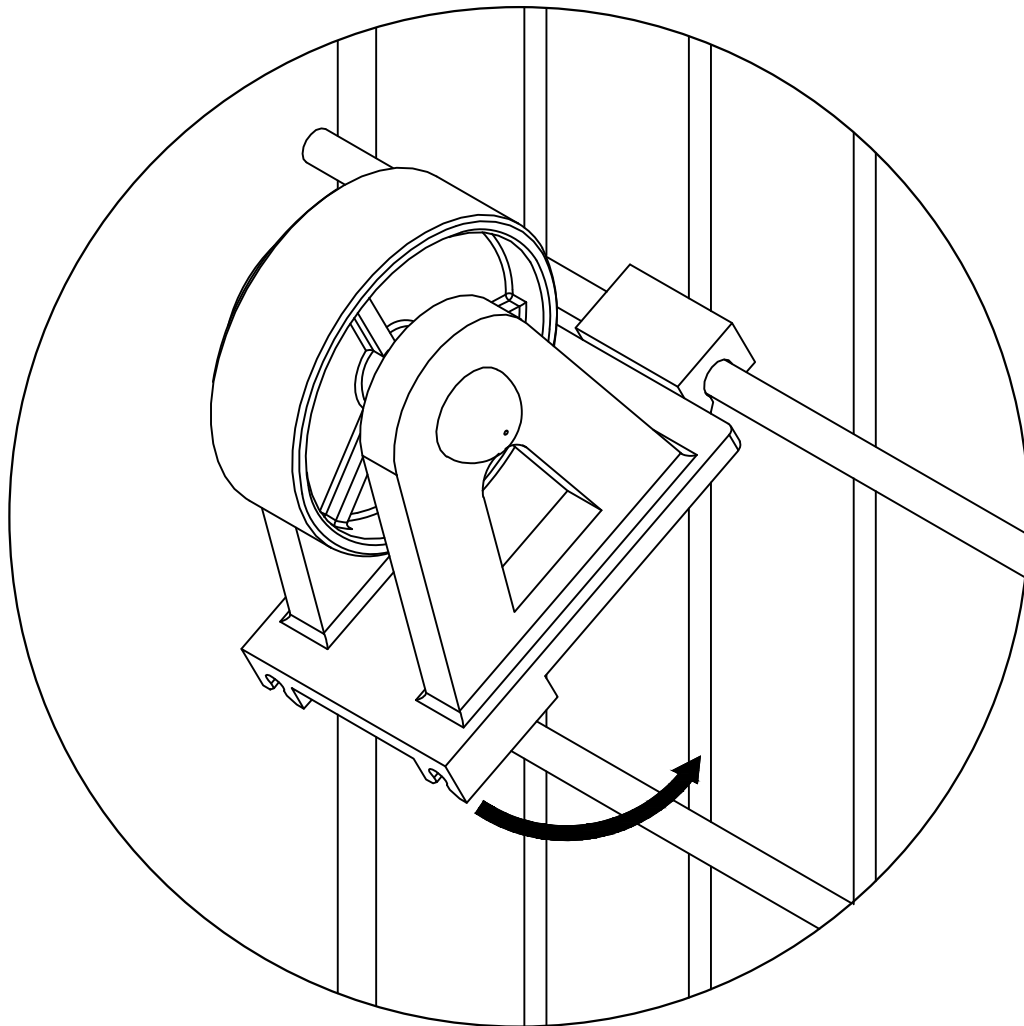
2pcs

STEP 10

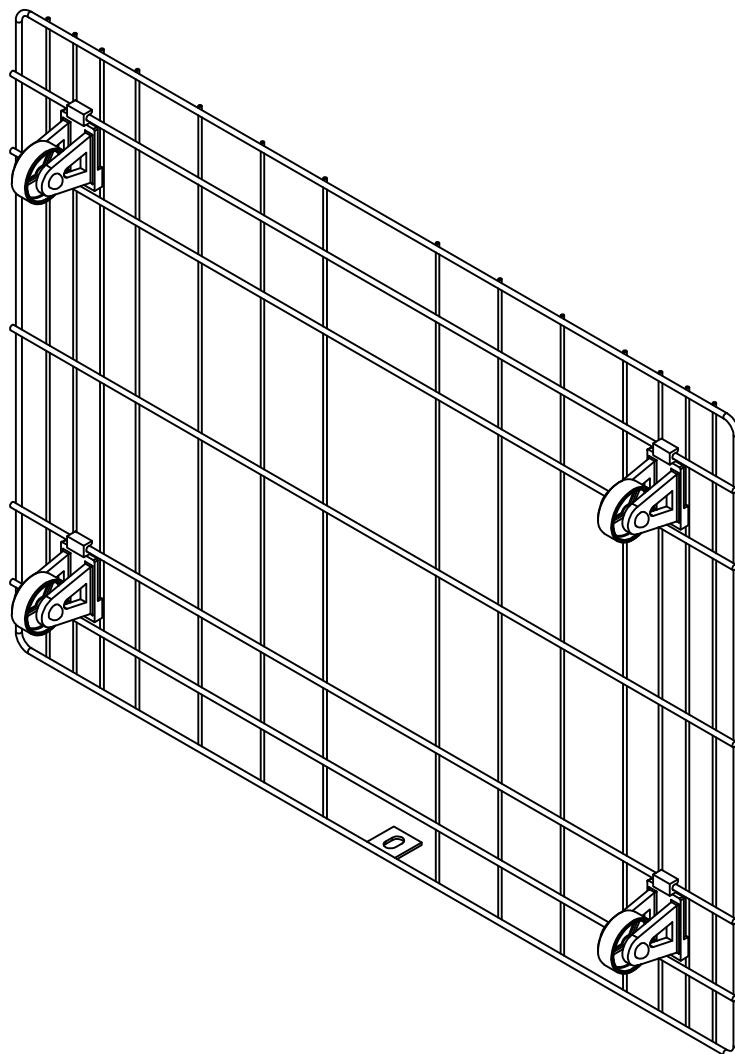
Dock in



# STEP 11



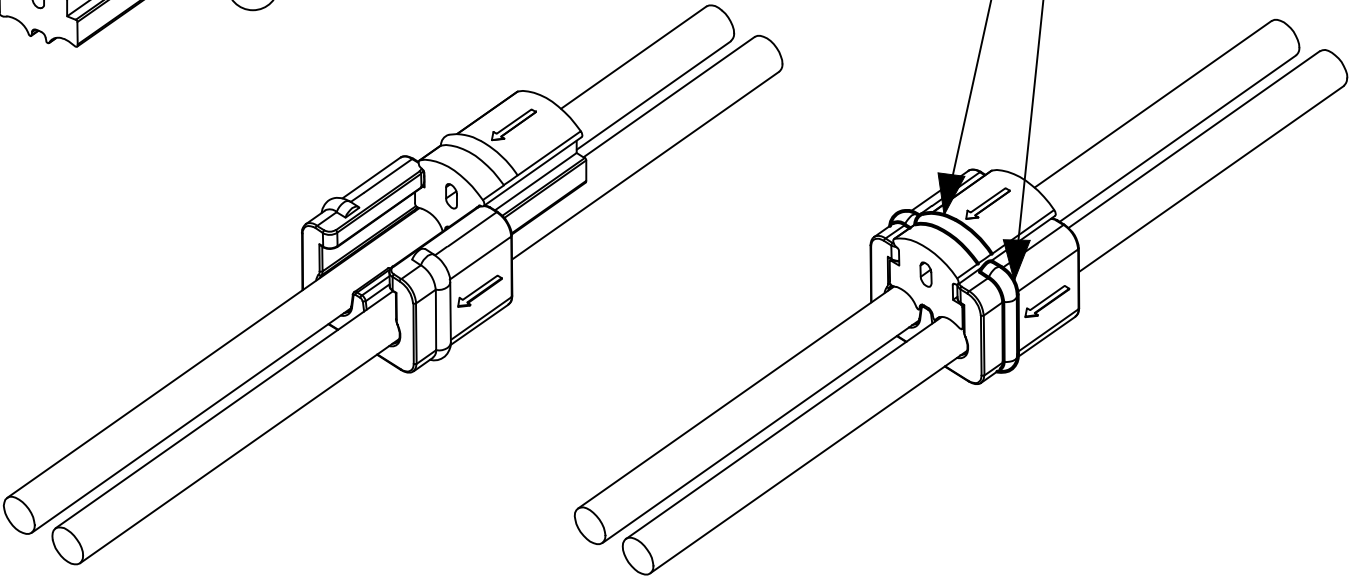
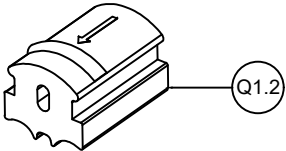
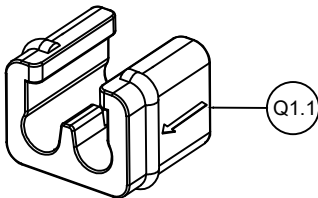
M1	16pcs
----	-------



x2

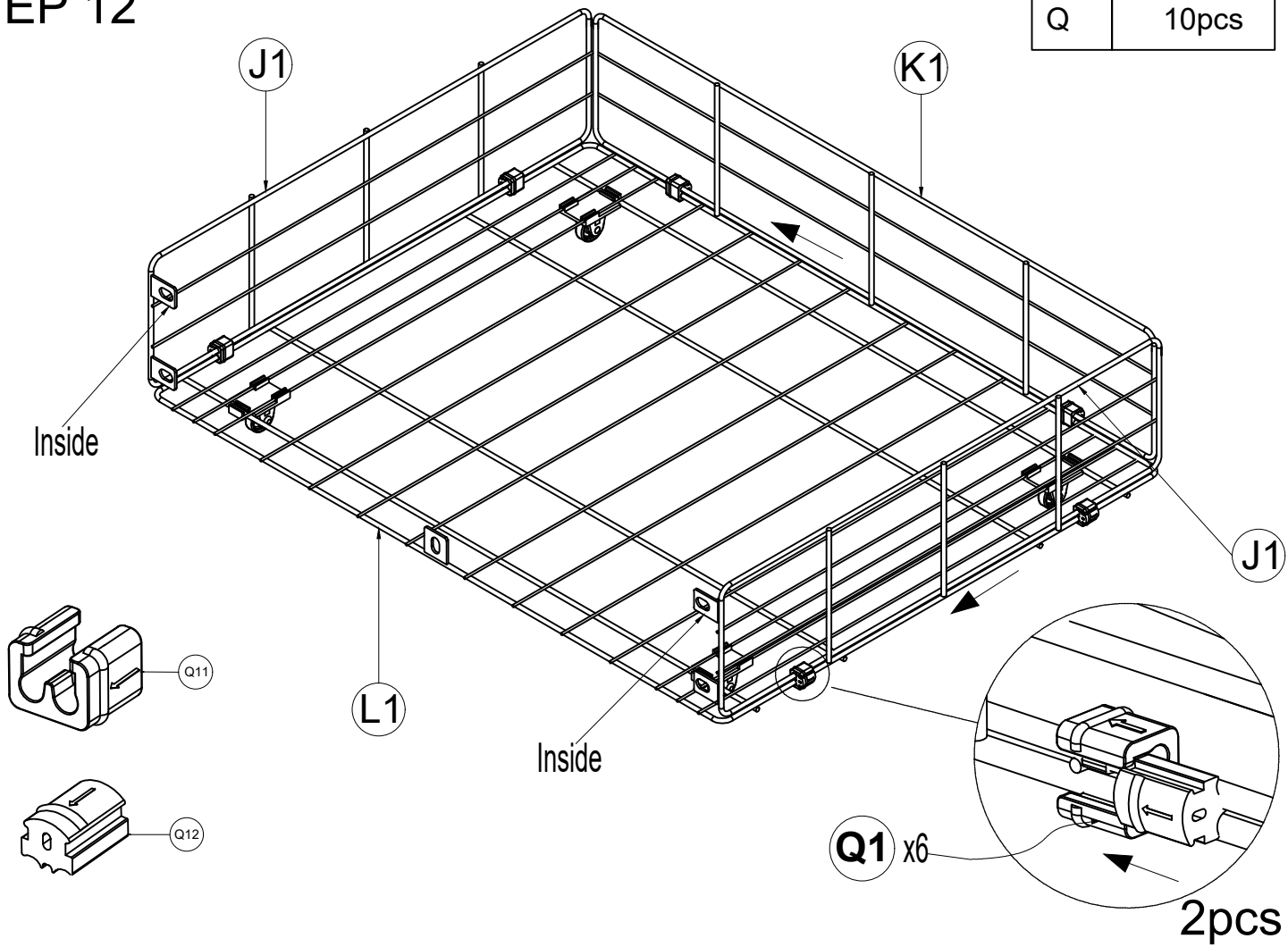
# Detailed assembly instructions Q1

these two lines  
on Q1.1 and  
Q1.2 need to  
be matched

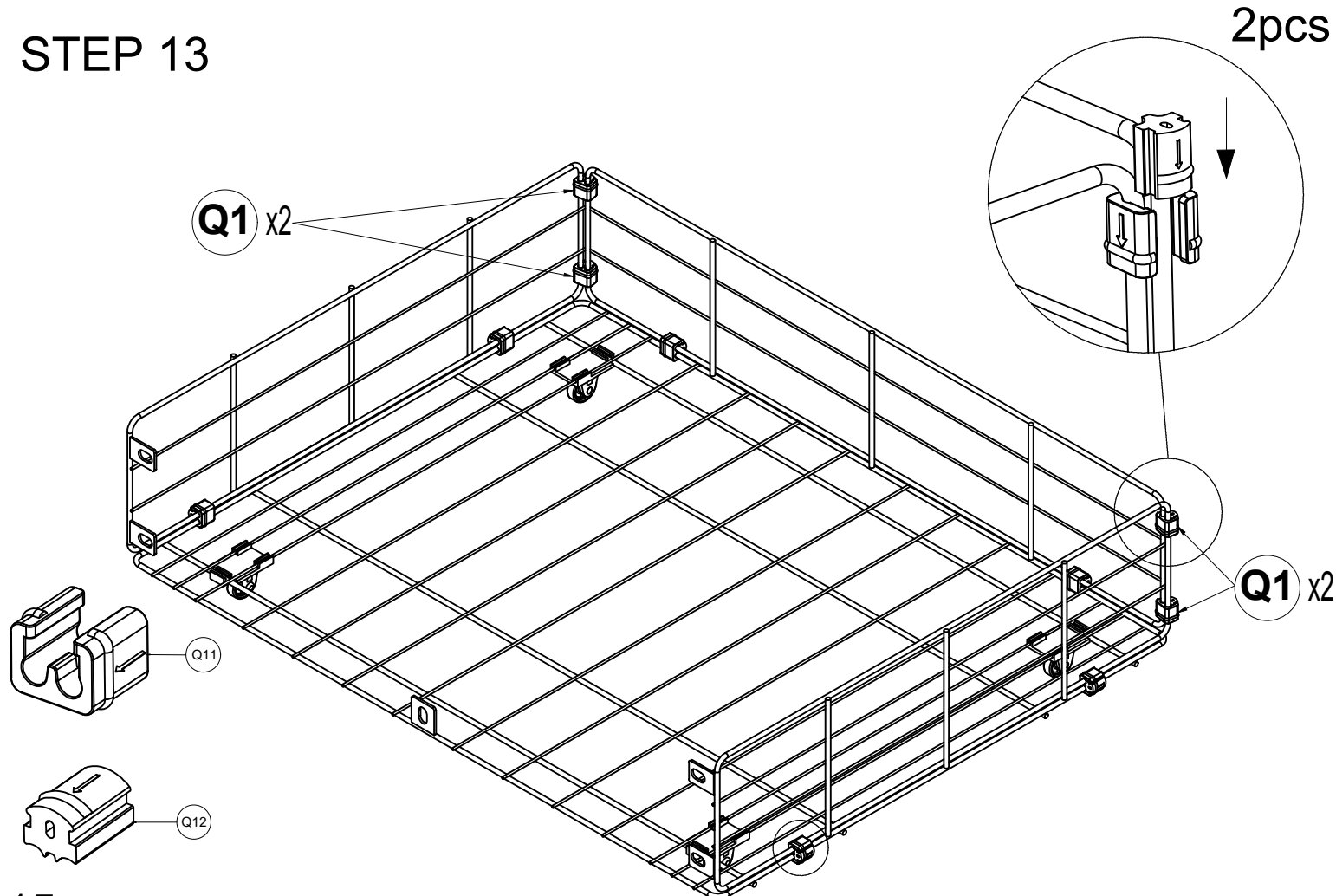


# STEP 12

Q	10pcs
---	-------

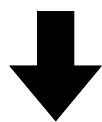
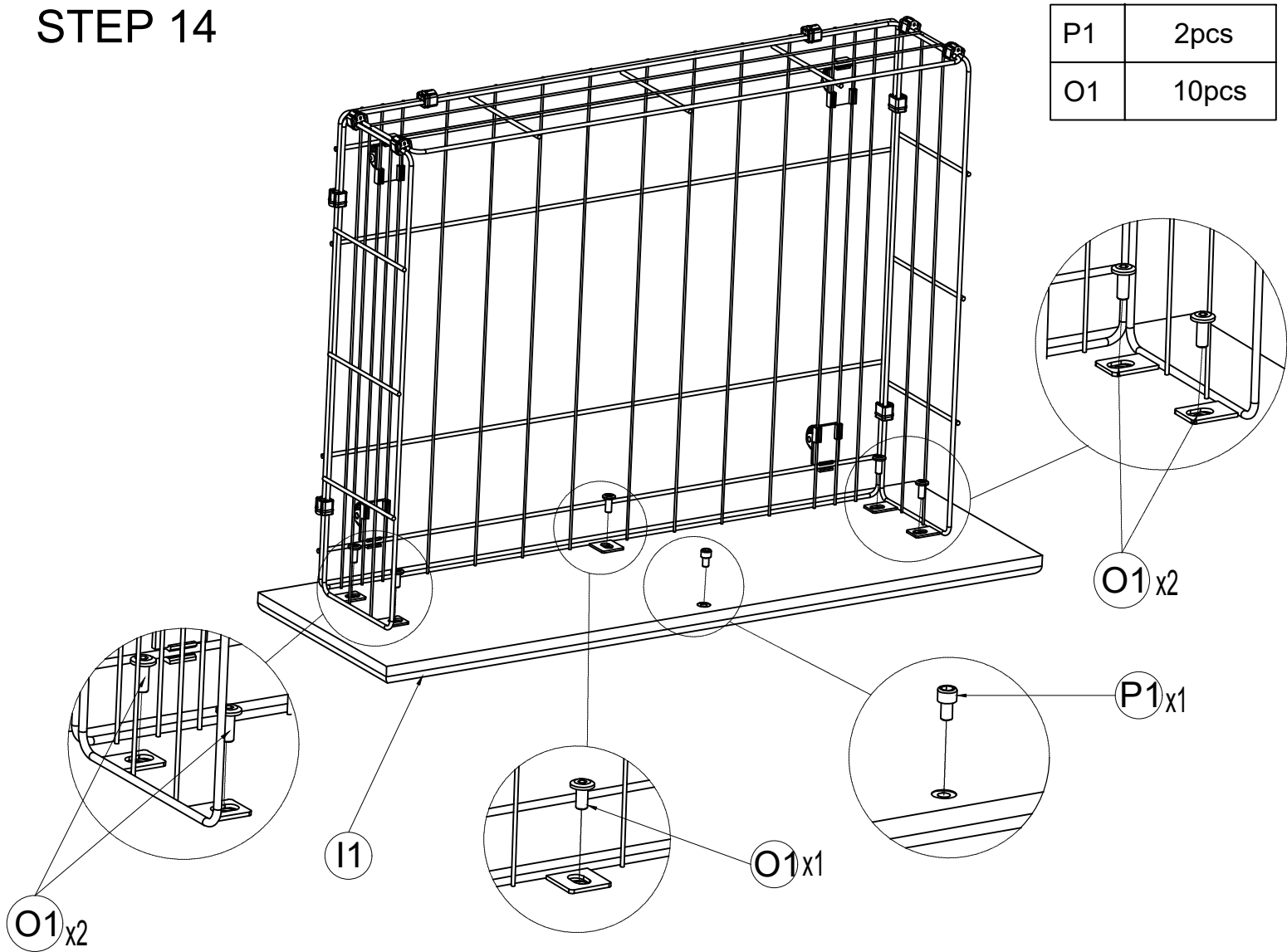


# STEP 13

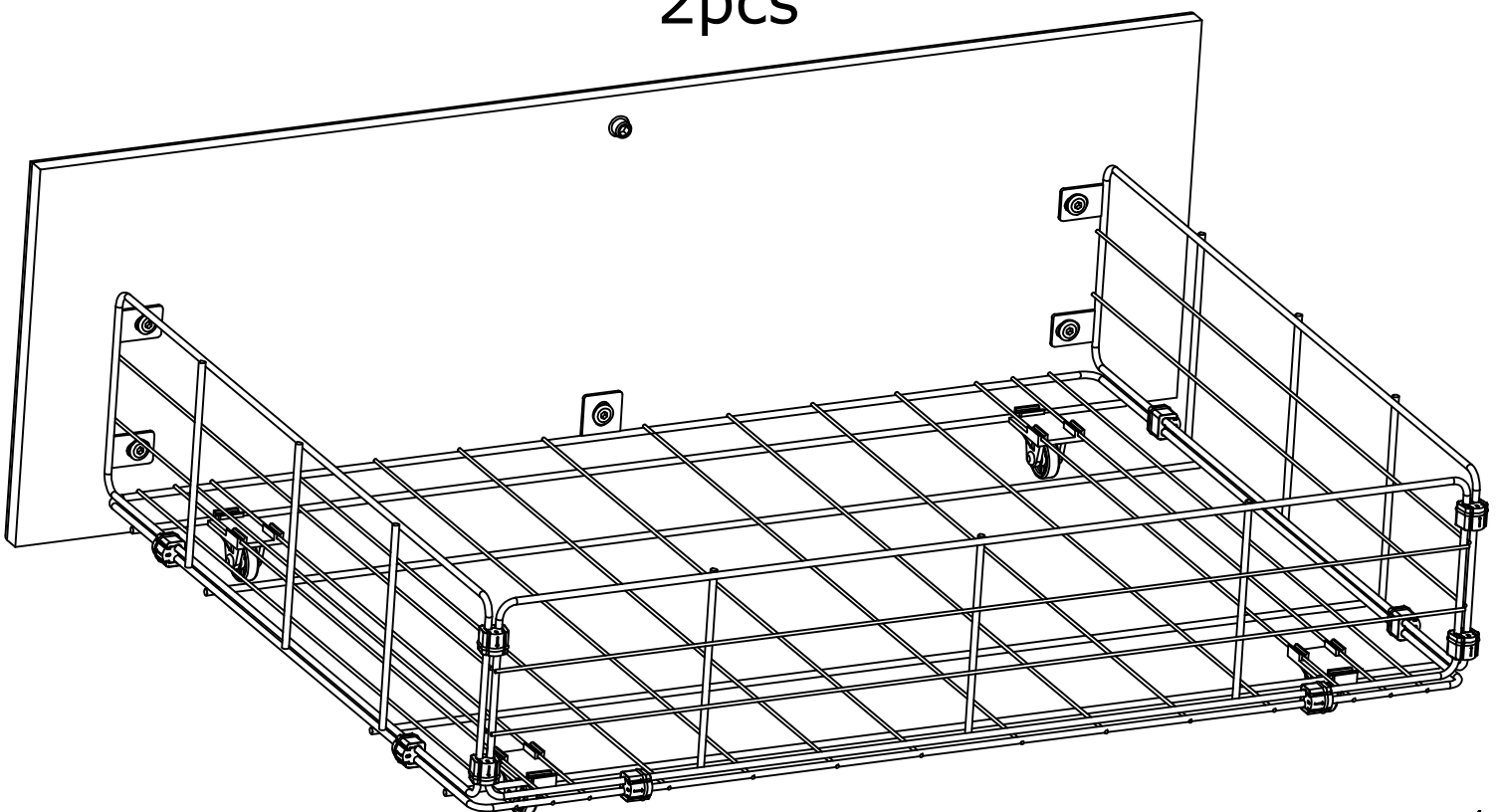


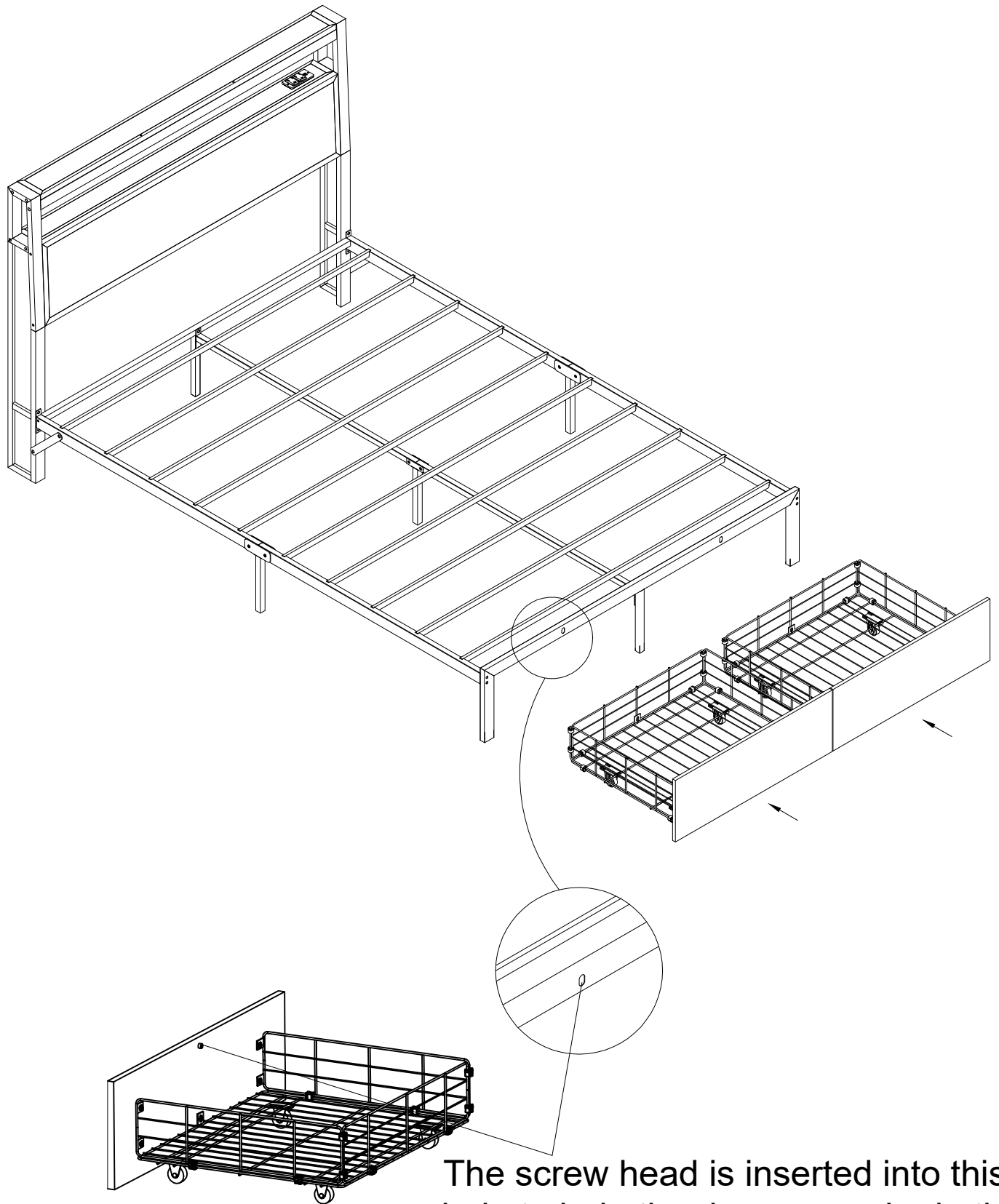
# STEP 14

P1	2pcs
O1	10pcs



2pcs





The screw head is inserted into this hole to help the drawer can be in the fixed position.