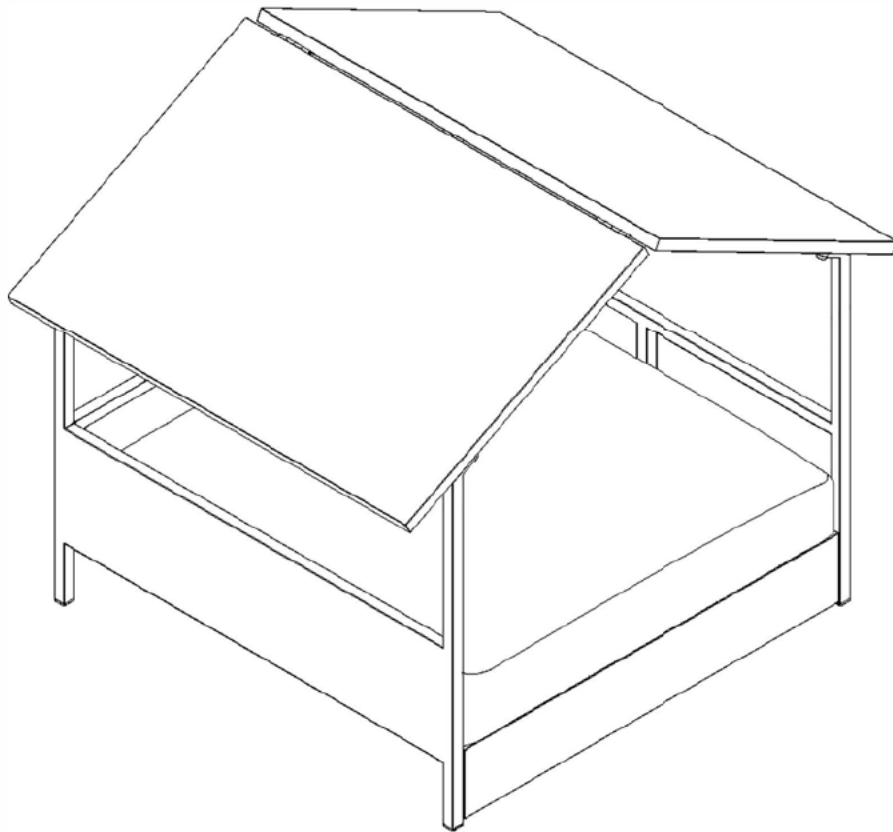


Outdoor

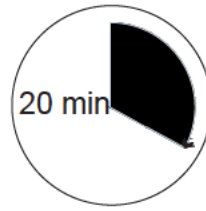
Assembly Instructions



ASSEMBLY INSTRUCTIONS

Read these instructions carefully and keep for future reference. Refer to parts inventory for guidance, and ensure you have all pieces before starting.

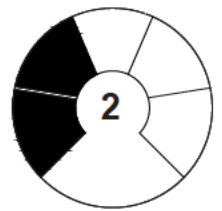
When assembling, place all parts on a soft, clean, and flat surface such as a carpet to prevent scratches.



TIME

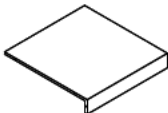

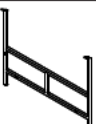


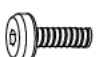


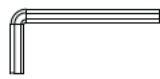


OF PEOPLE

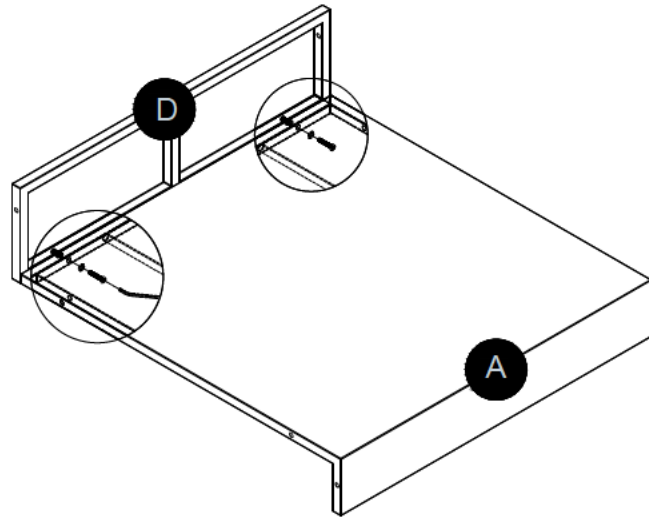


DIFFICULTY

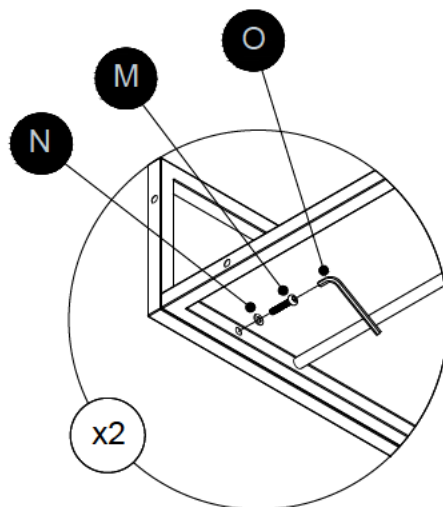
! Hardware may loosen over time, check the bolts regularly and tighten if necessary.

PARTS INVENTORY CONT			
ID	DESCRIPTION		QTY
A	Sofa Base		1
B	Left Side Piece		1
C	Right Side Piece		1
D	Back Piece		1
E	Roof Top		1
L	M6 × 20MM BOLT		4
M	M6 × 35MM BOLT		10
N	M6 WASHER		14
O	M6 ALLEN KEY		1

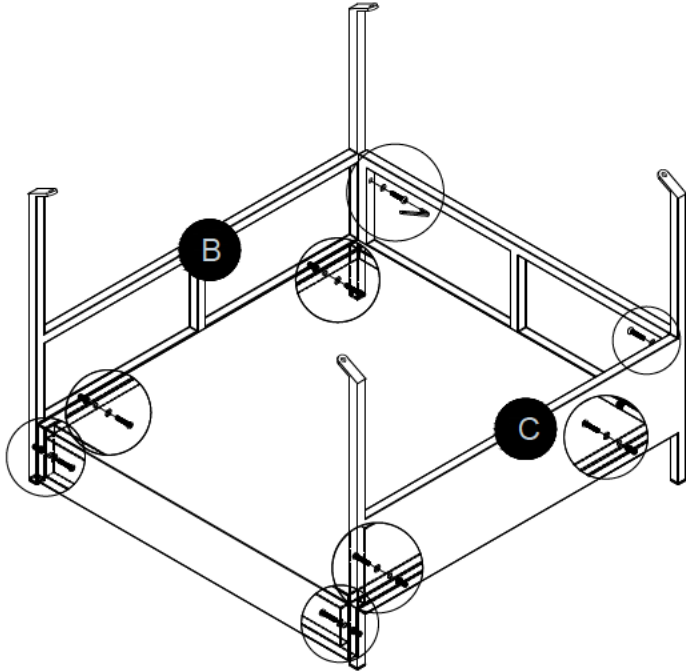
1



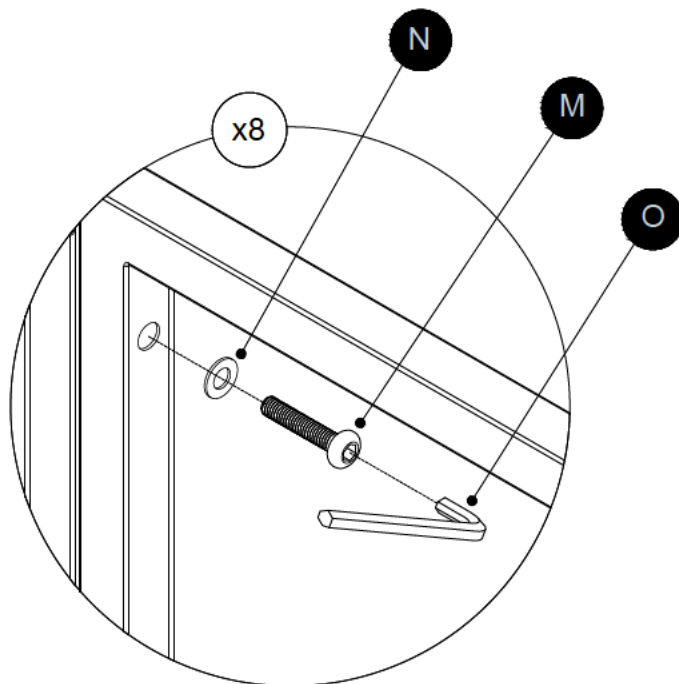
! Attach the Back Piece (D) to the Sofa Base (A)



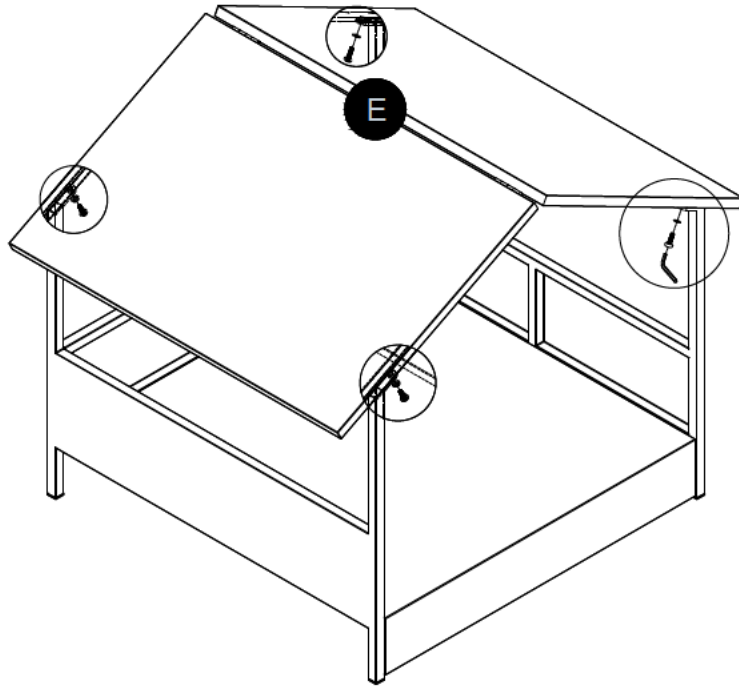
2



! Attach the Left/Right Side Pieces to the Step 1



3



⚠ Attach the Roof Top (E) to the Step 2

