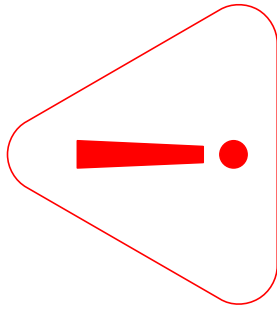
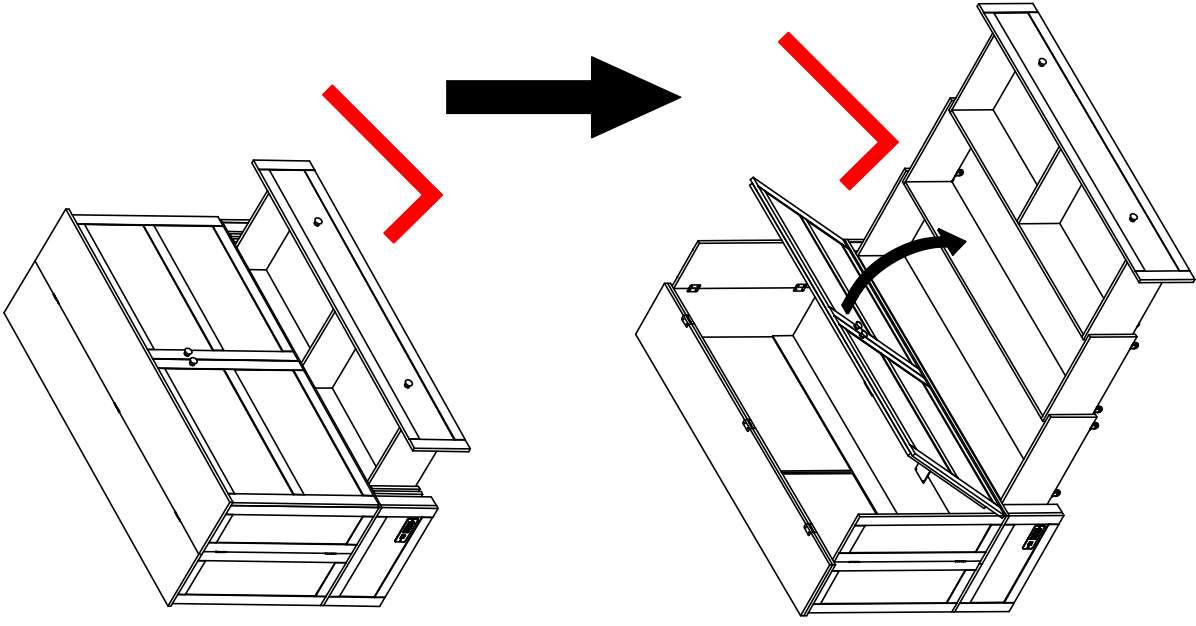
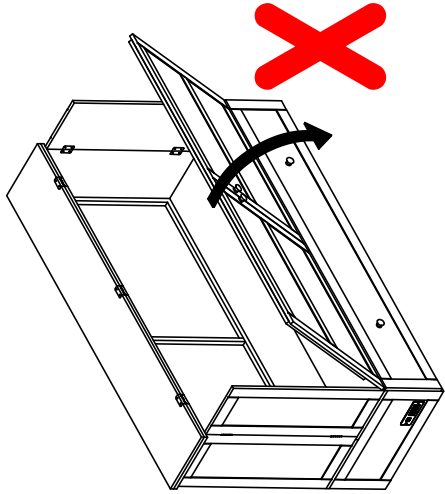
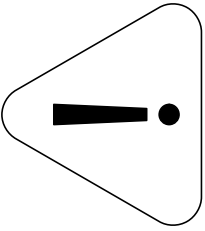
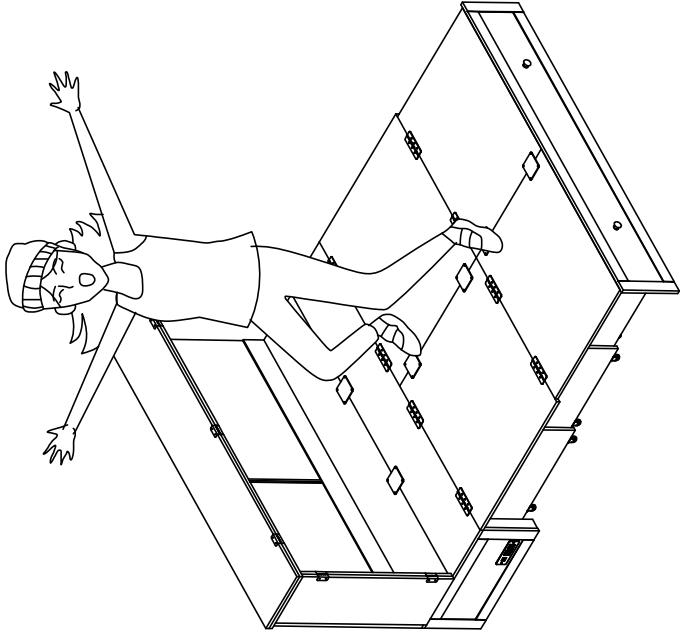


Product Usage Instructions



NO JUMPING

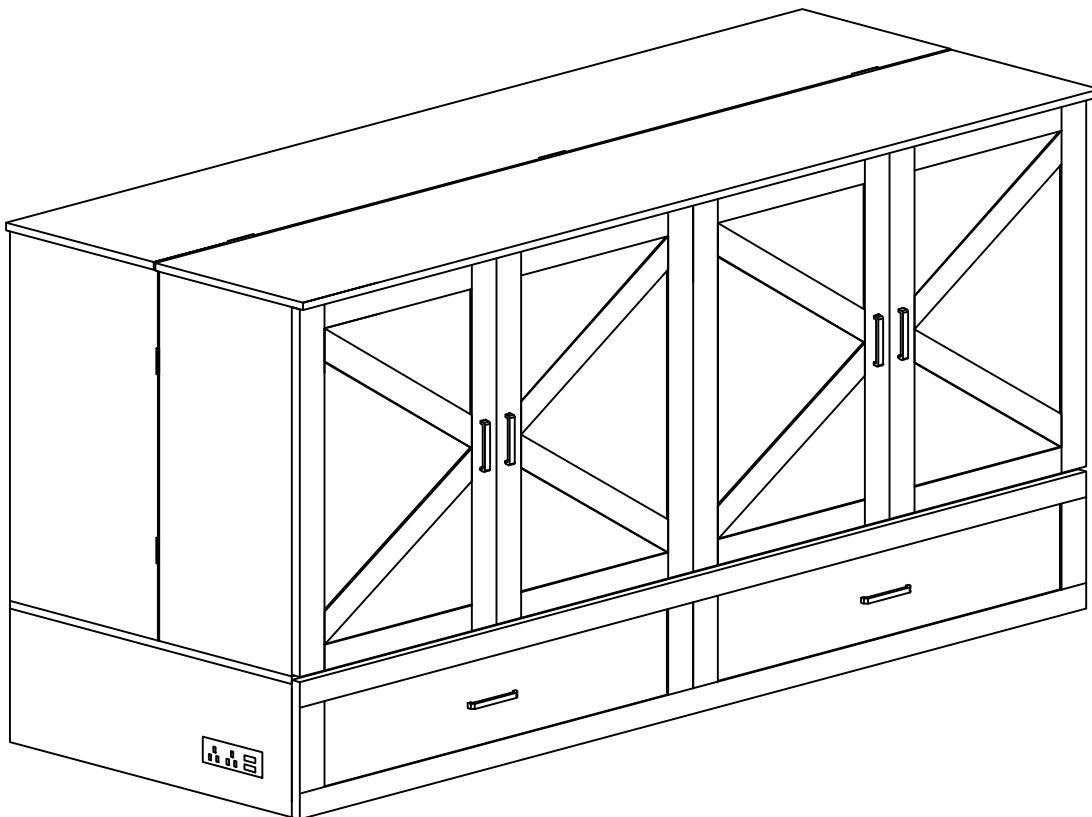


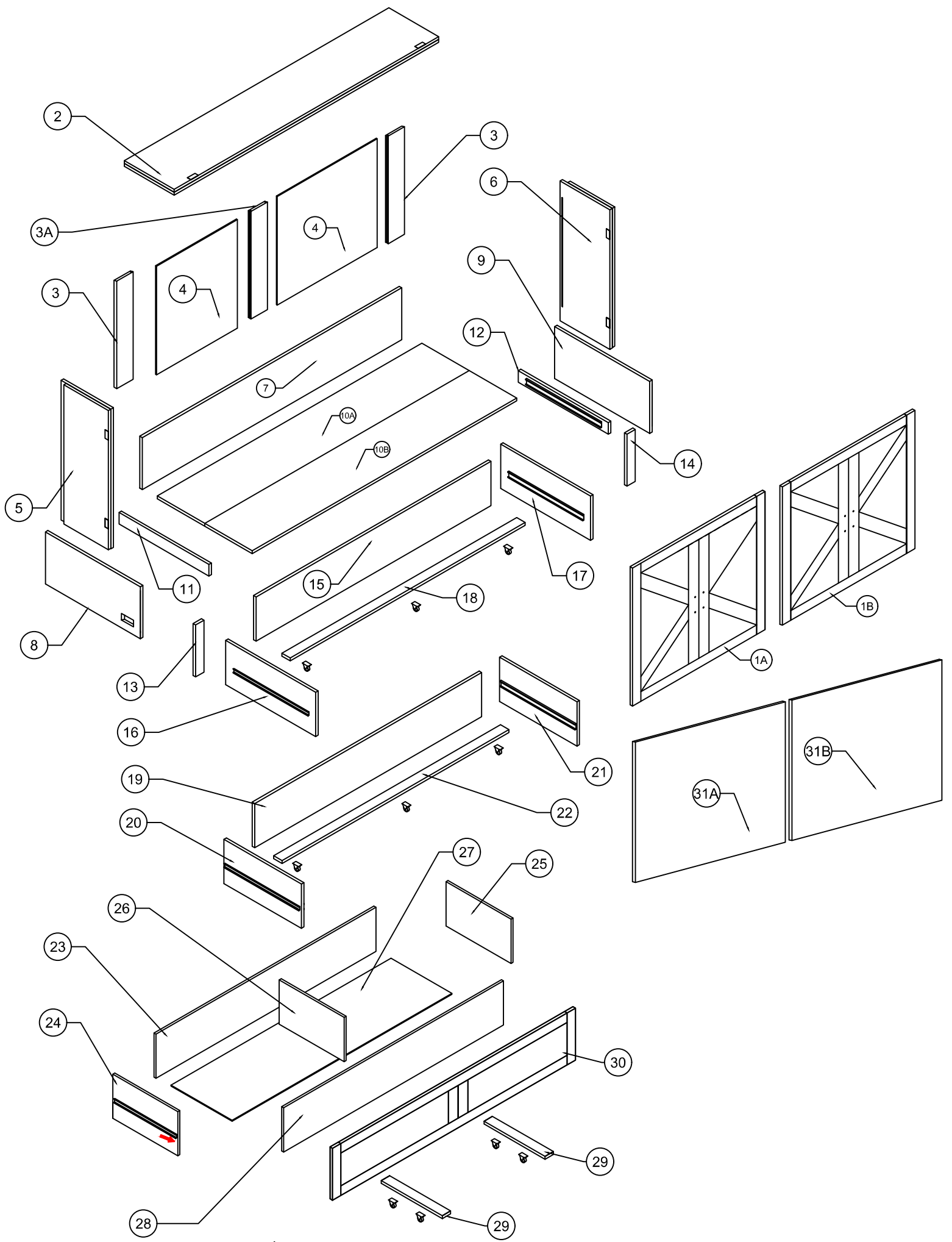
INSTALLATION GUIDE

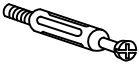
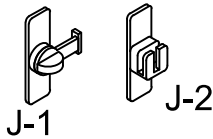




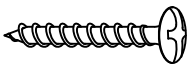
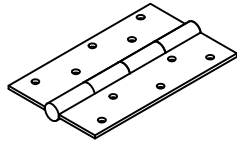
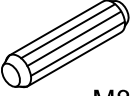
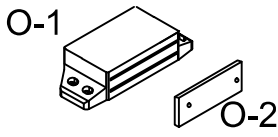
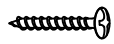


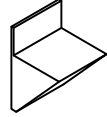



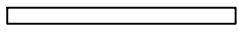
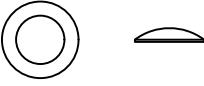
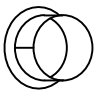


Suggest using electric tools for installation

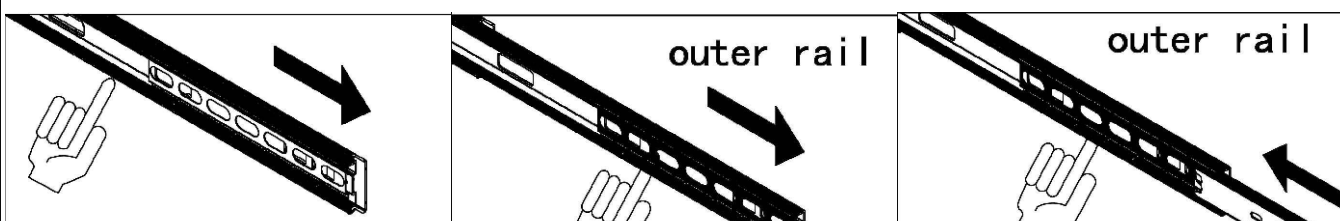
SKU:16030S



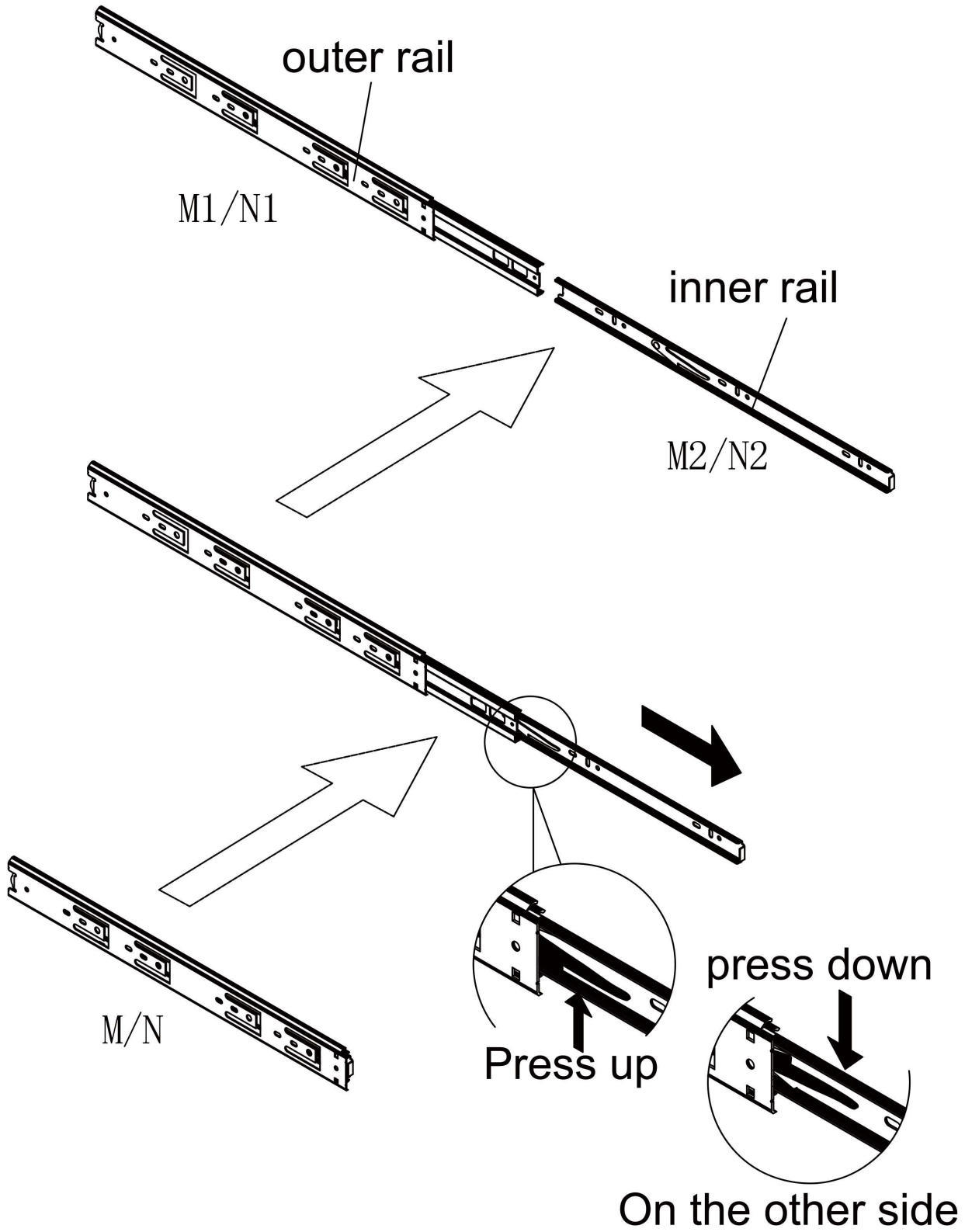


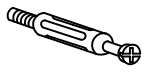
A	 M15	65 PCS	J	 J-1 J-2	2 PCS
B	 M15	65 PCS	T	 TOOL	1 PCS
C	 80*80	6 PCS	K		12 PCS
E	 M4*30	25 PCS	L		8 PCS
D	 M8*40	13 PCS	O	 O-1 O-2	2 PCS
F	 M3.5*14	130 PCS	P		1 PCS
H	 M4*12	12 PCS	Q		6 PCS
I		6 PCS	R	 M6*13	25 PCS
S	 M6*18	8 PCS	X	 M15*150	4 PCS
Z		2 PCS	M	 M50	1 PCS

Special hardware install instructions



Special hardware removal instructions

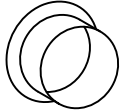


A

8 PCS

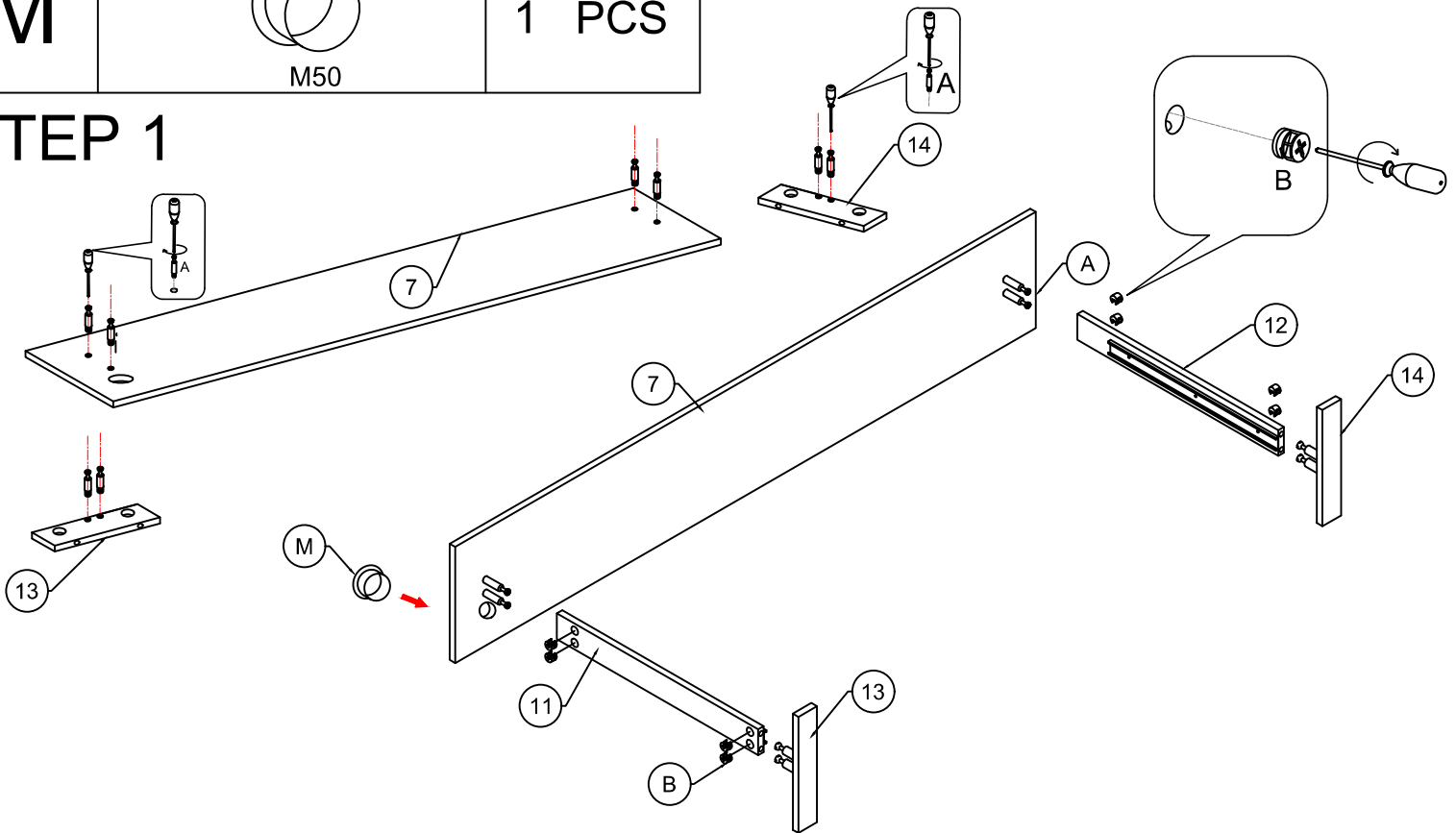
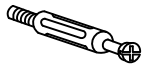
B

8 PCS

M

M50

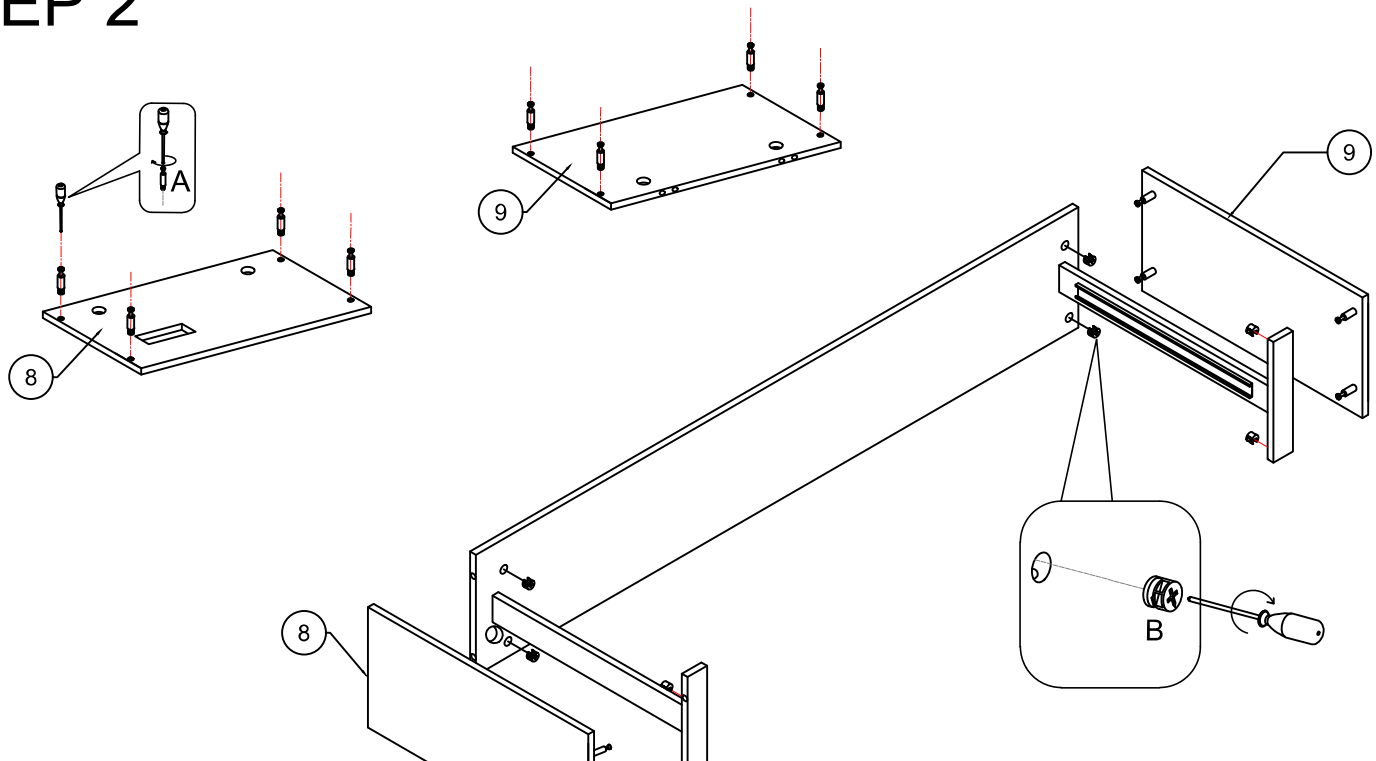
1 PCS


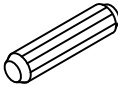

STEP 1**A**

8 PCS

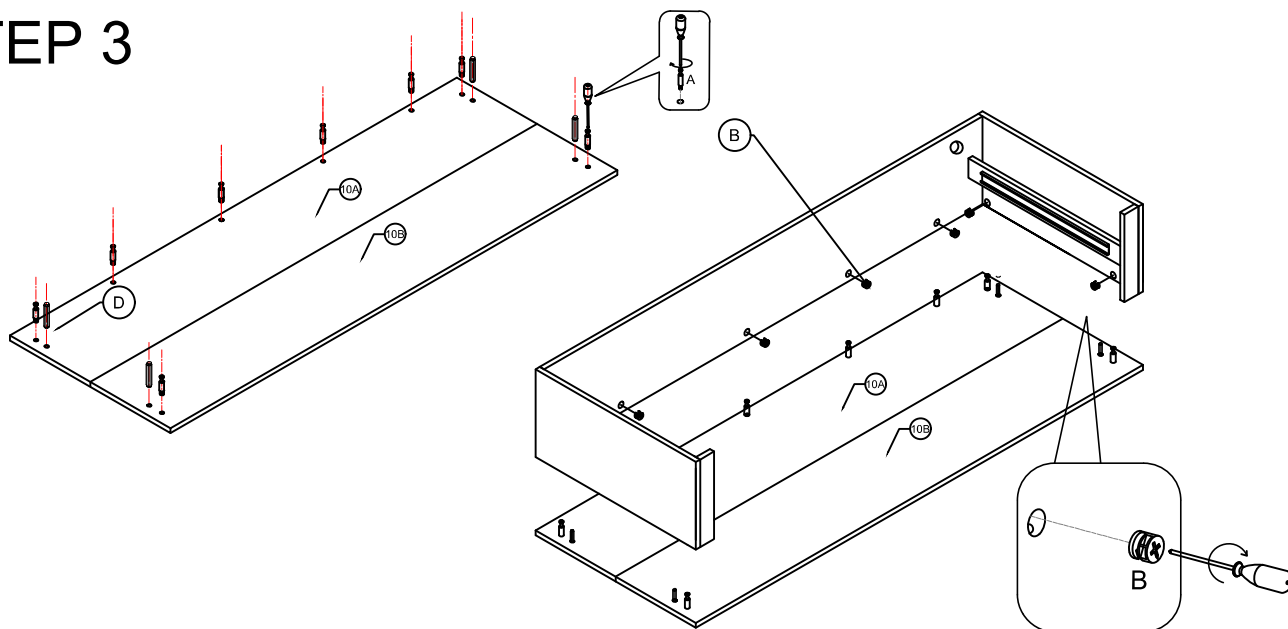
B


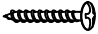


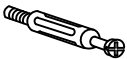
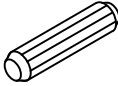
8 PCS

STEP 2

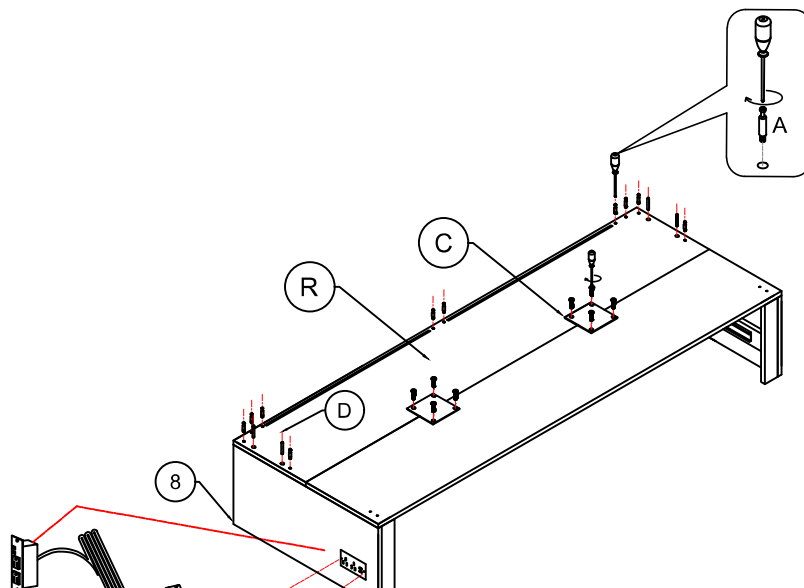
A		8 PCS	D		4 PCS
B	 M15	8 PCS			

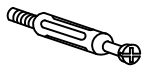
STEP 3



P		1 PCS	F	 M3.5*14	2 PCS
C	 80*80	2 PCS	R	 M6*13	8 PCS
A		10 PCS	D		4 PCS

STEP 4



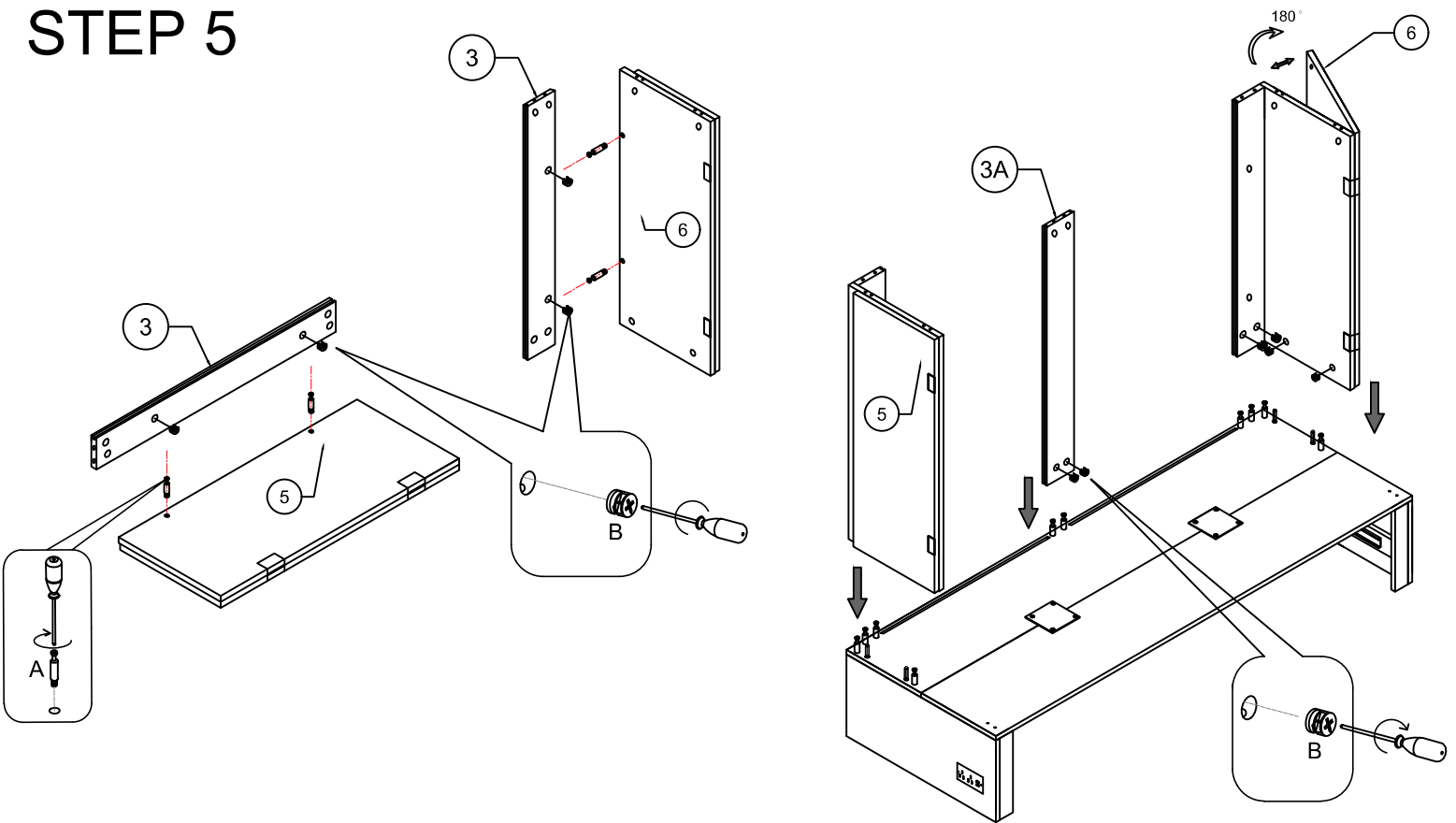
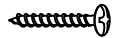
A

4 PCS

B

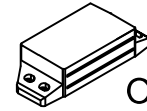
M15

14 PCS

STEP 5**F**

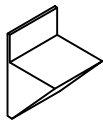
M3.5*14

10PCS

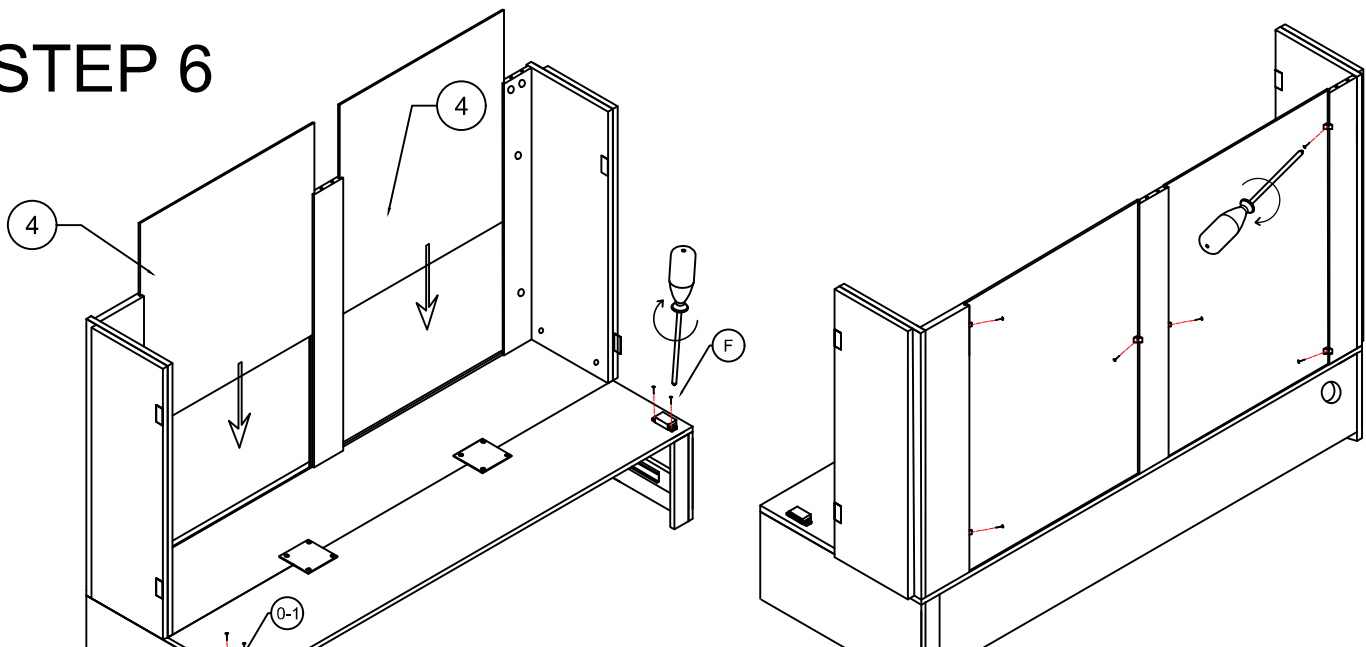
O

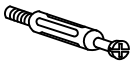

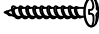
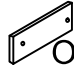
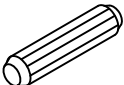
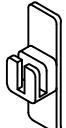
O-1

2 PCS

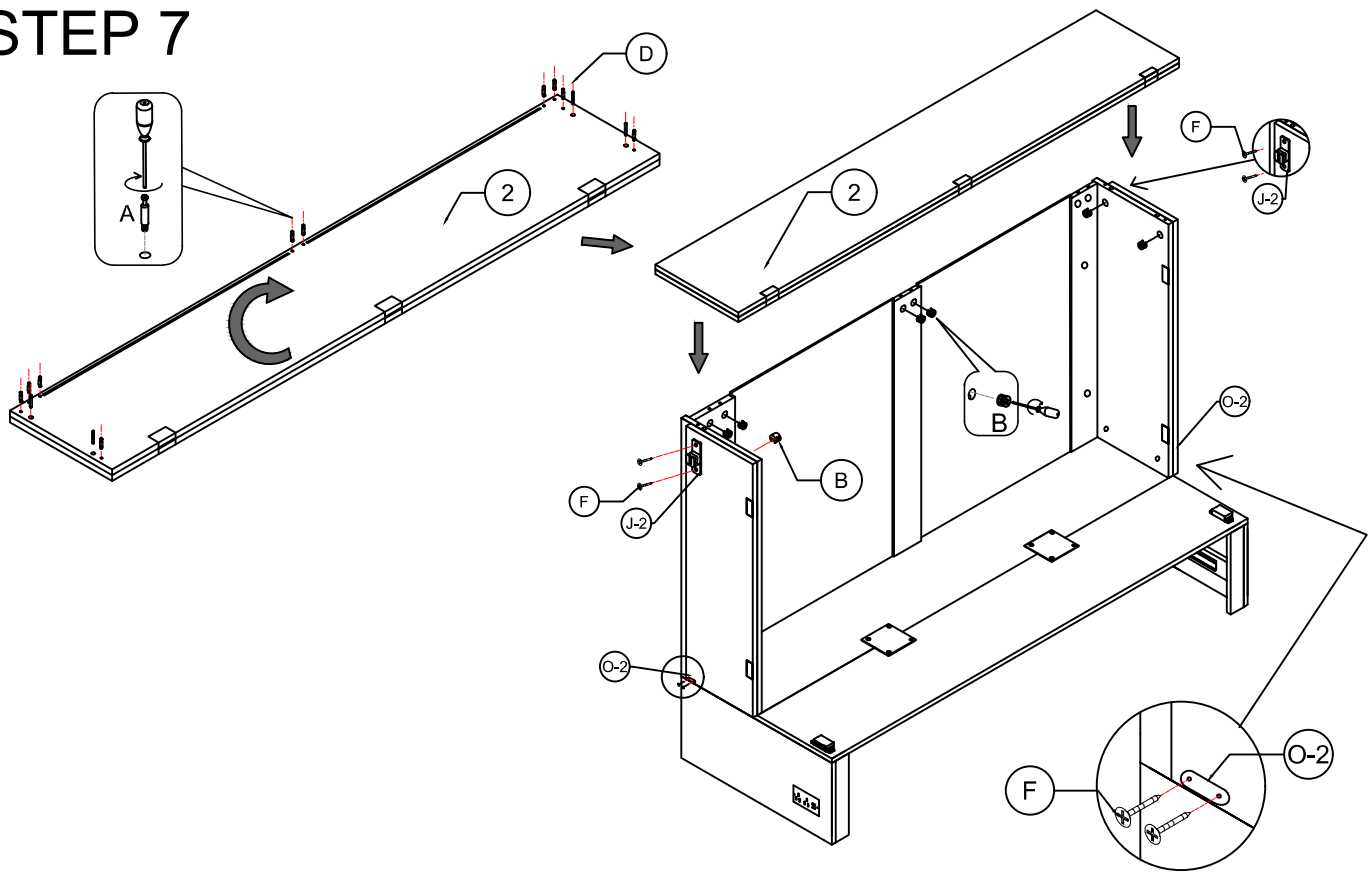
Q

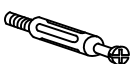

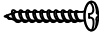

6 PCS

STEP 6

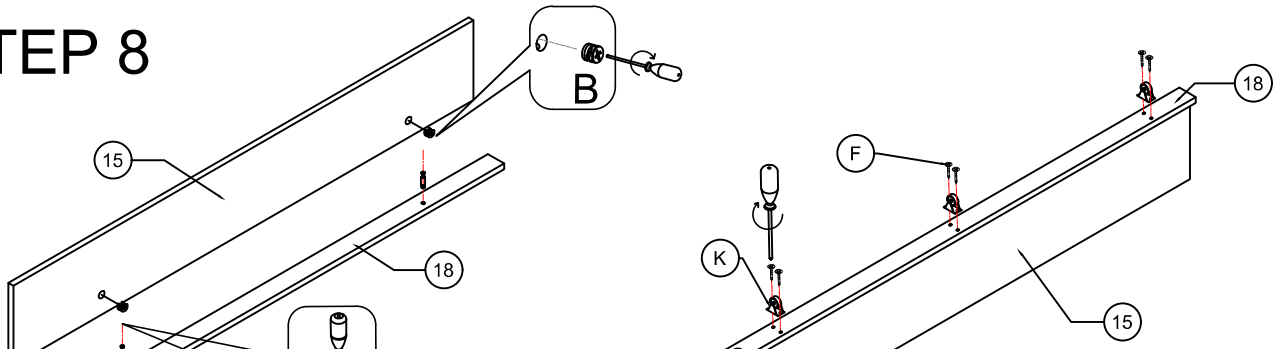
A		10 PCS	B	 M15	10 PCS
F	 M3.5*14	8 PCS	O	 O-2	2 PCS
D		4 PCS	J	 J-2	2 PCS

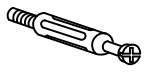
STEP 7



A		2 PCS	B	 M15	2 PCS
F	 M3.5*14	6 PCS	K		3 PCS

STEP 8



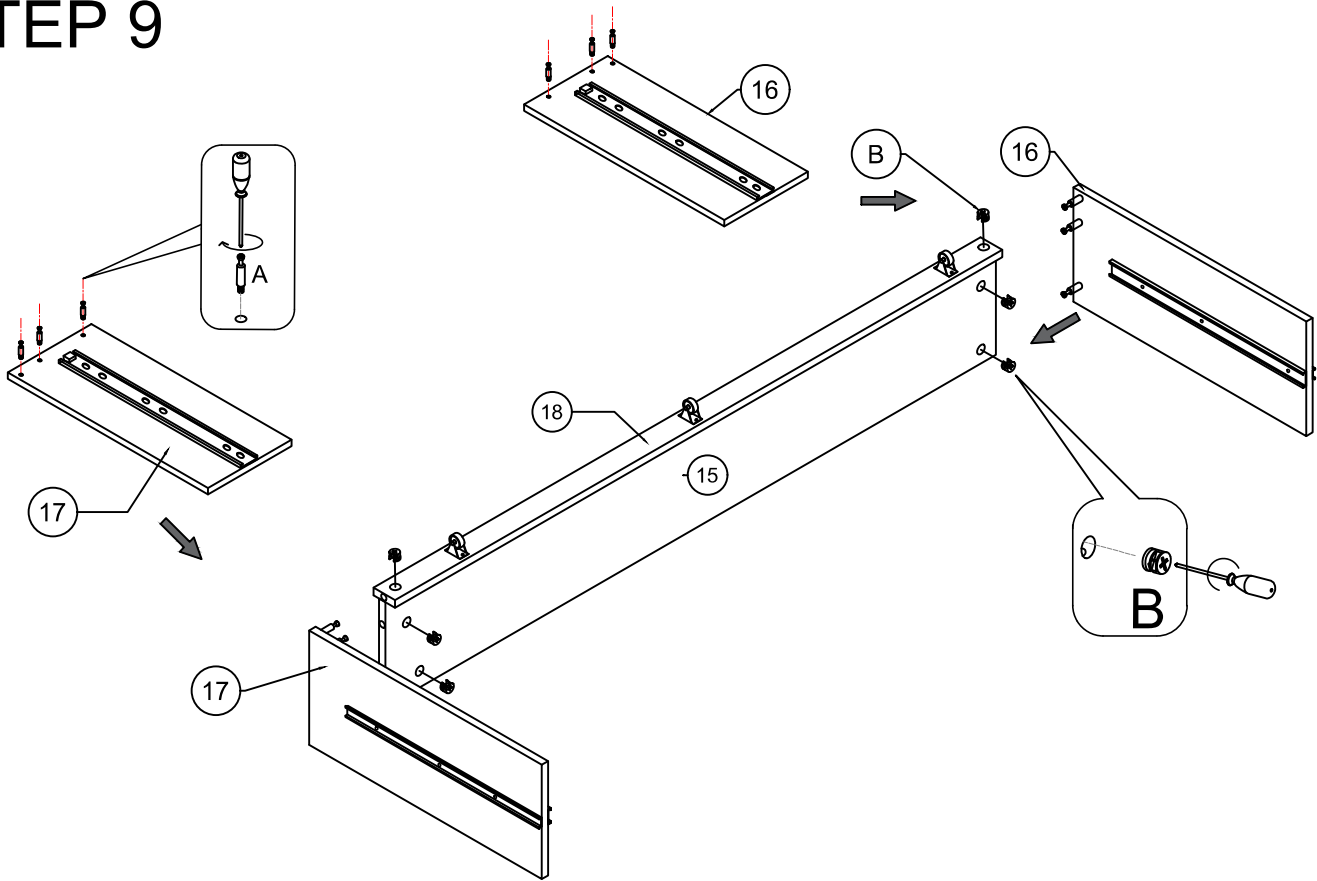
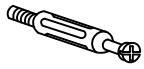
A

6 PCS

B

M15

6 PCS

STEP 9**A**

2 PCS

B

M15

2 PCS

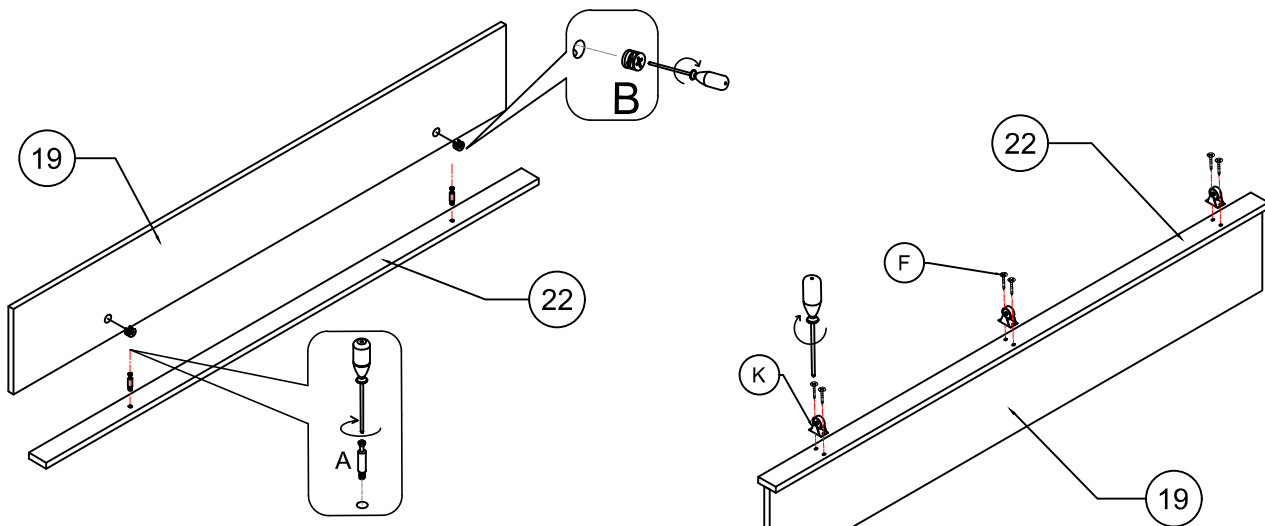
F

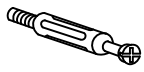
M3.5*14

6 PCS

K

3 PCS

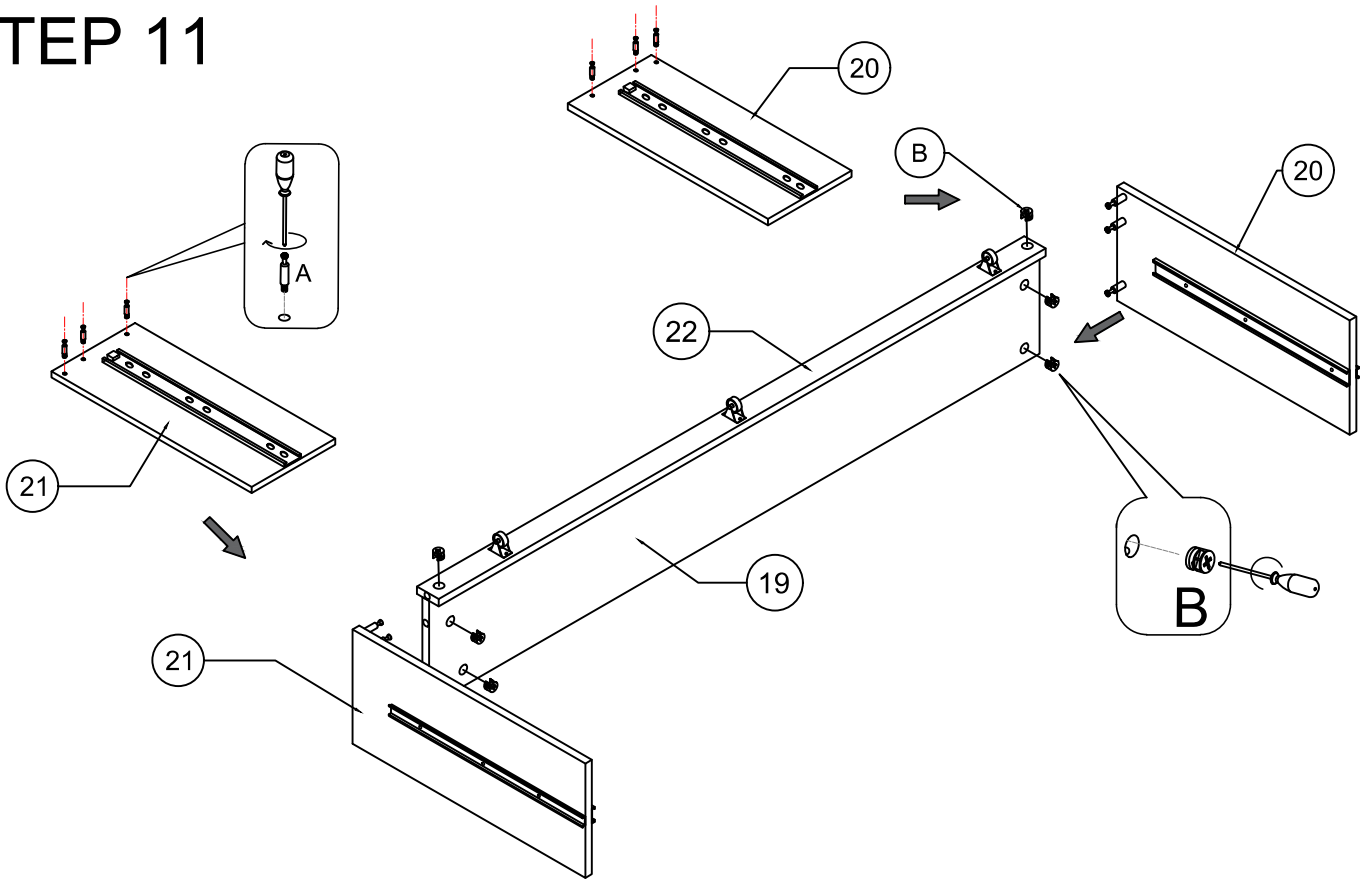
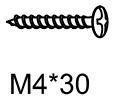
STEP 10

A

6 PCS

B

6 PCS

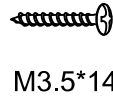
STEP 11**E**

M4*30

8 PCS

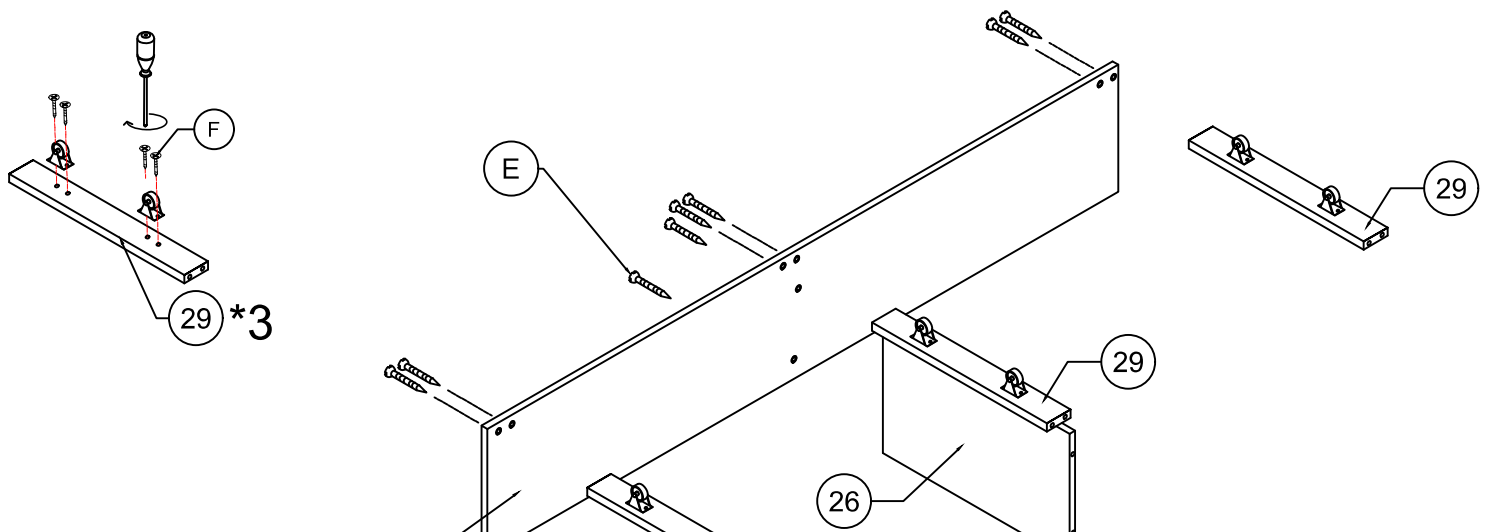
K

6 PCS

F

M3.5*14

12 PCS

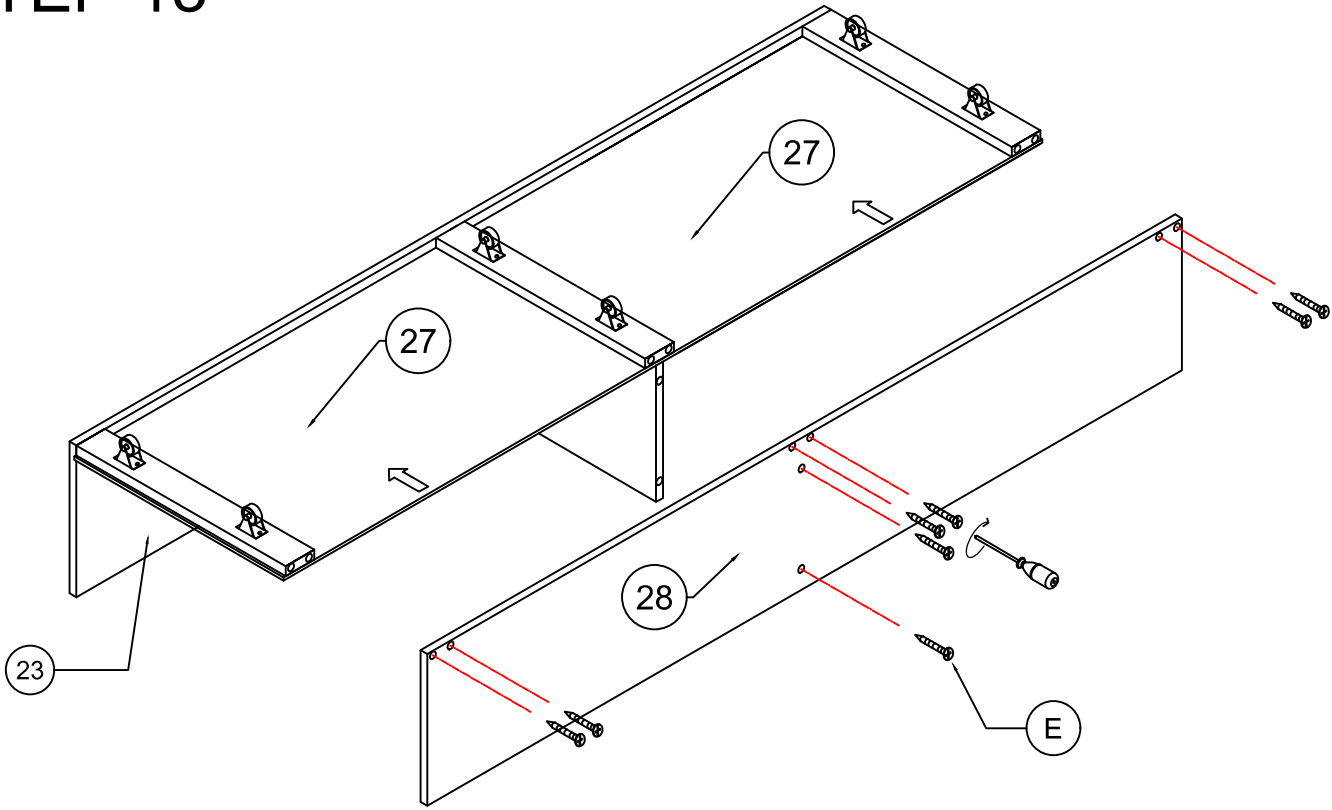
STEP 12

E



8 PCS

STEP 13

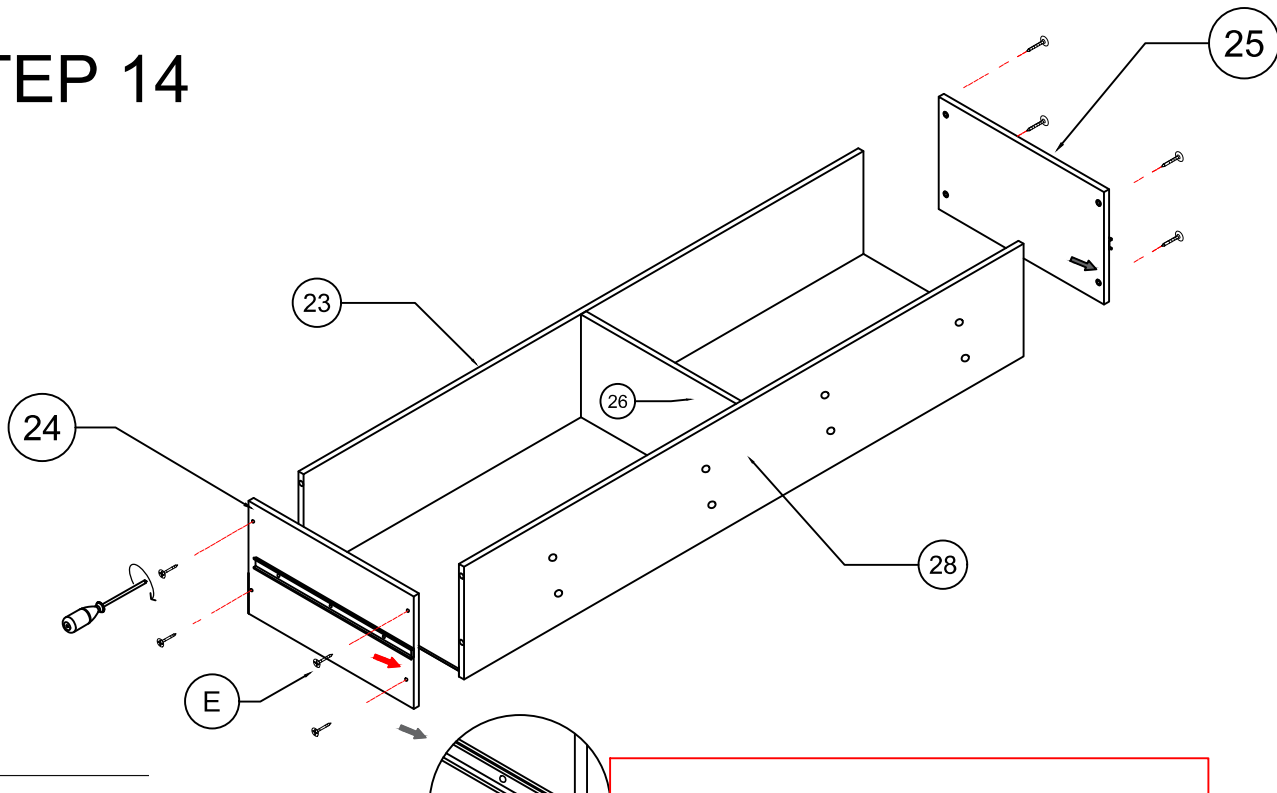



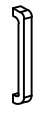

E



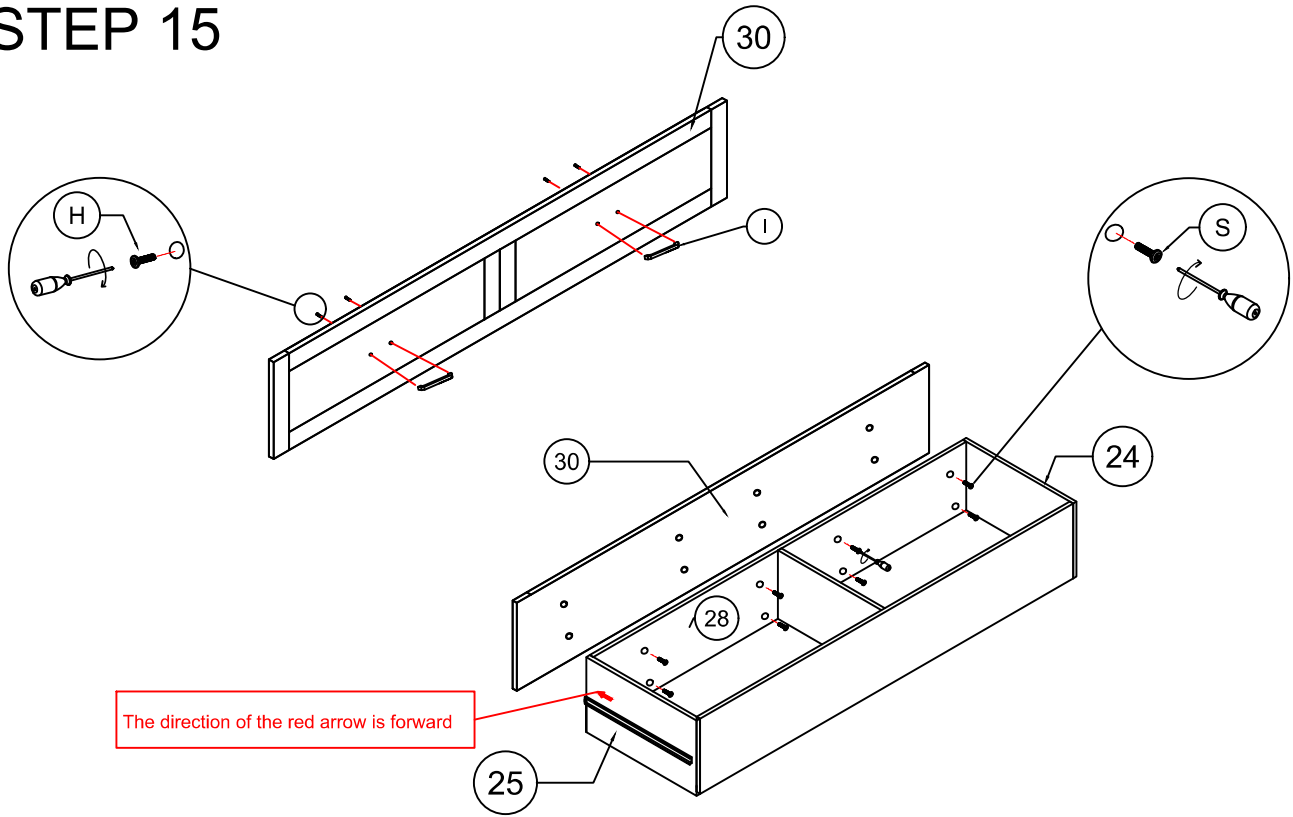
8 PCS


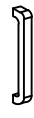


STEP 14



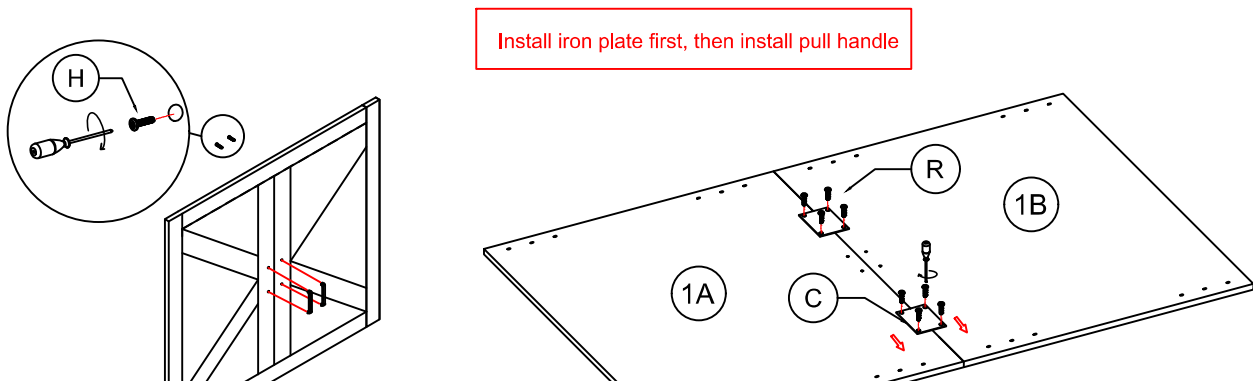
H	 M4*12	4 PCS	I		2 PCS
S	 M6*20	8 PCS			

STEP 15



H	 M4*12	8 PCS	I		4 PCS
C	 80*80	2 PCS	R	 M6*13	8 PCS

STEP 16



C



80*80

2 PCS

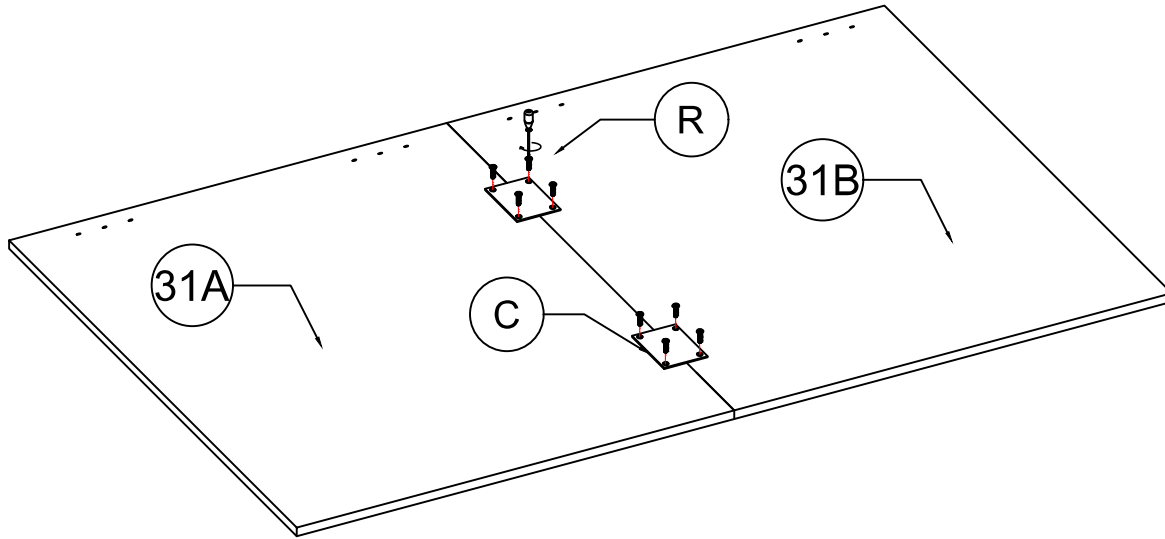
R



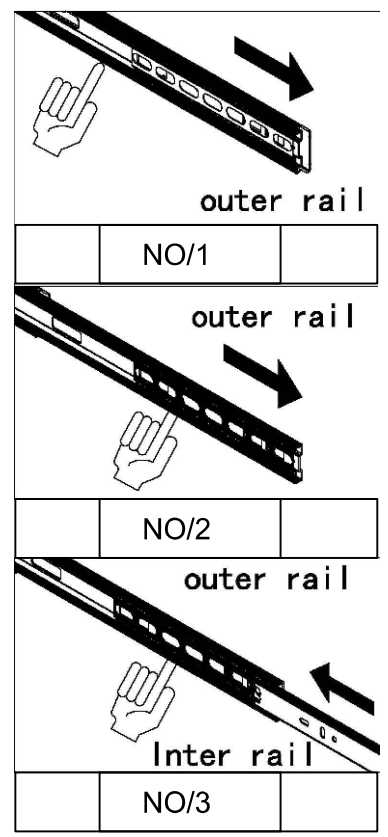
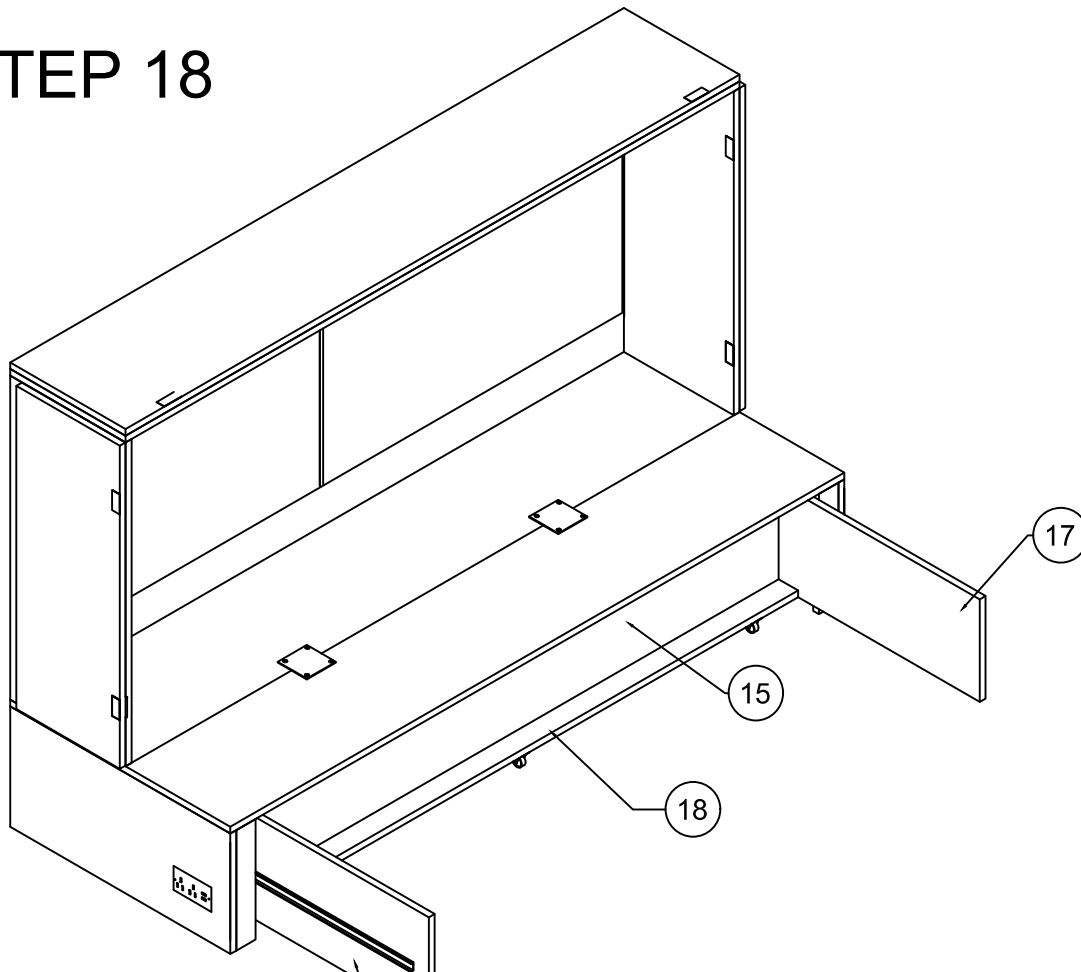
M6*13

8 PCS

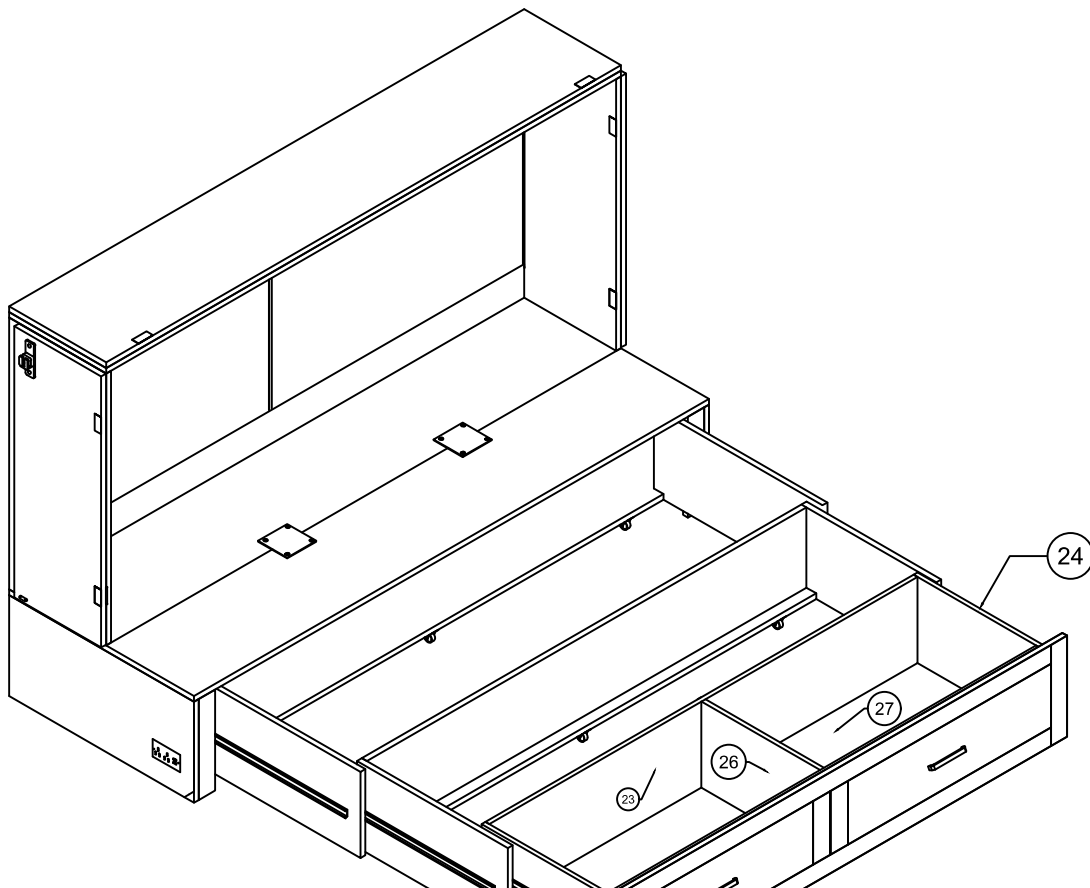
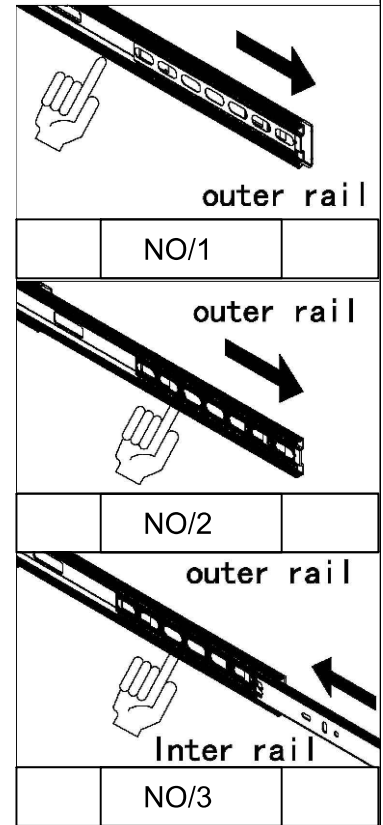
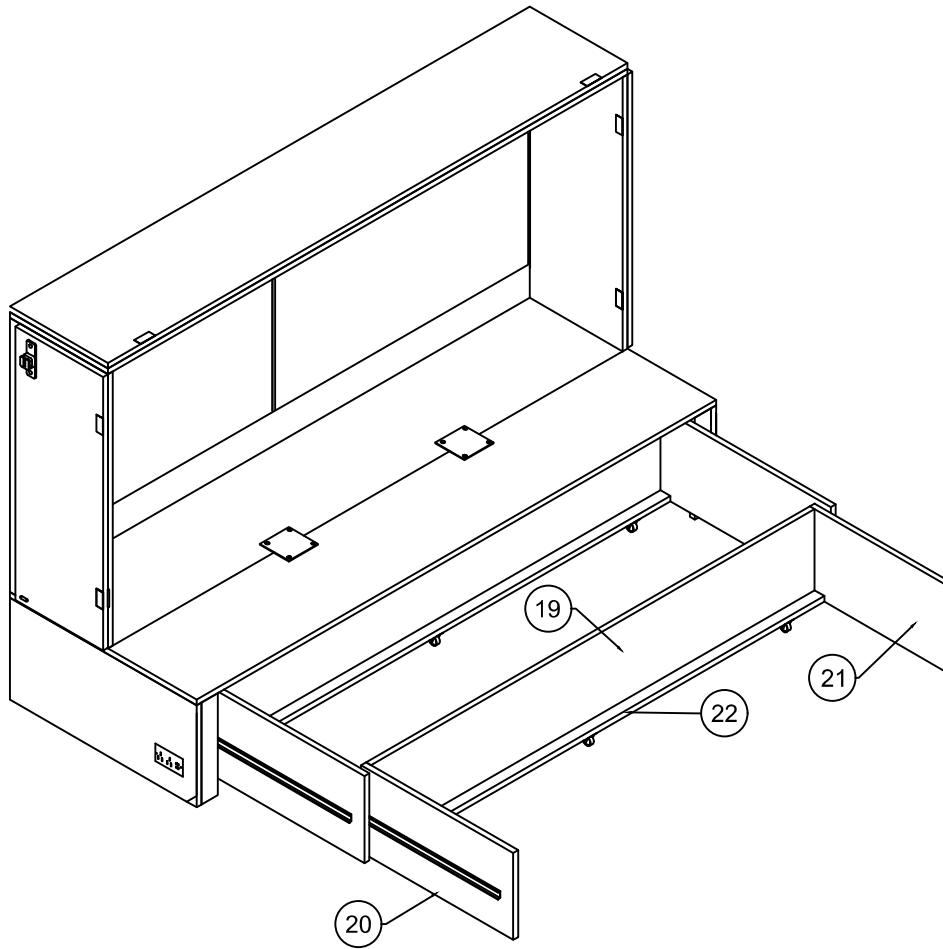
STEP 17

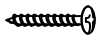
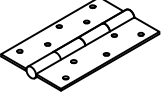
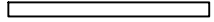


STEP 18

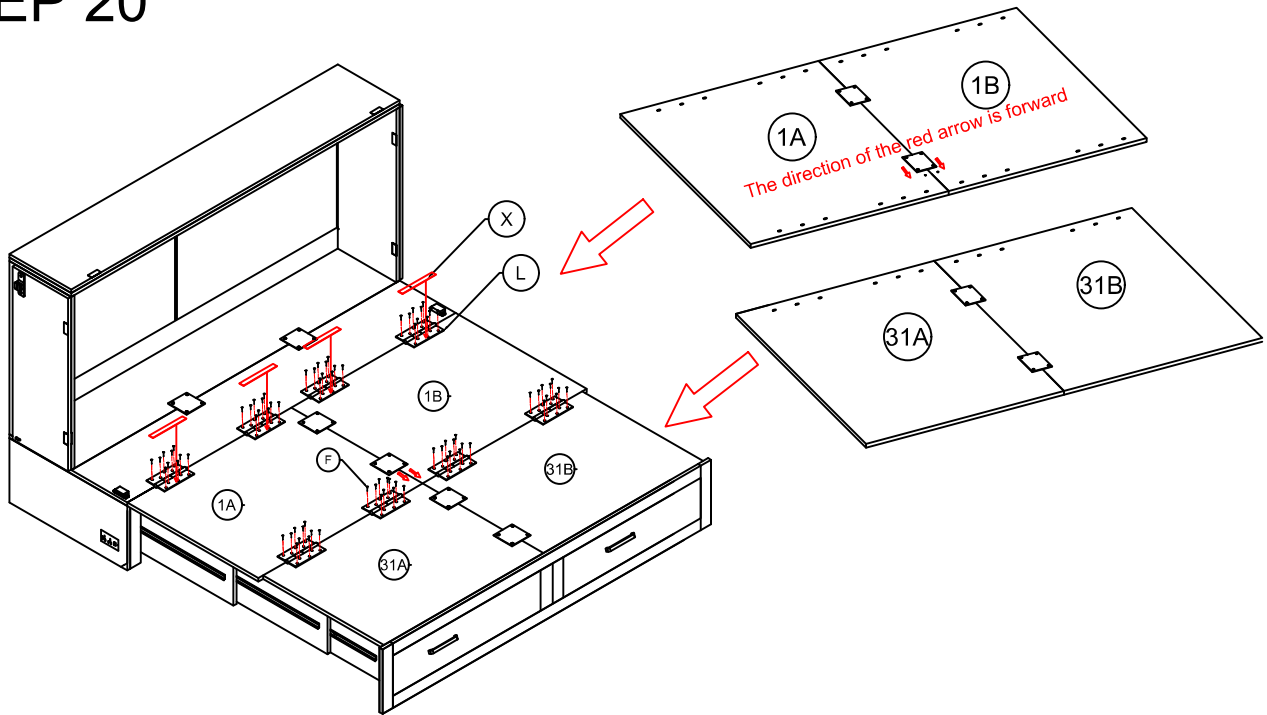


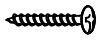
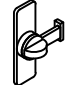
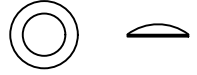
STEP 19



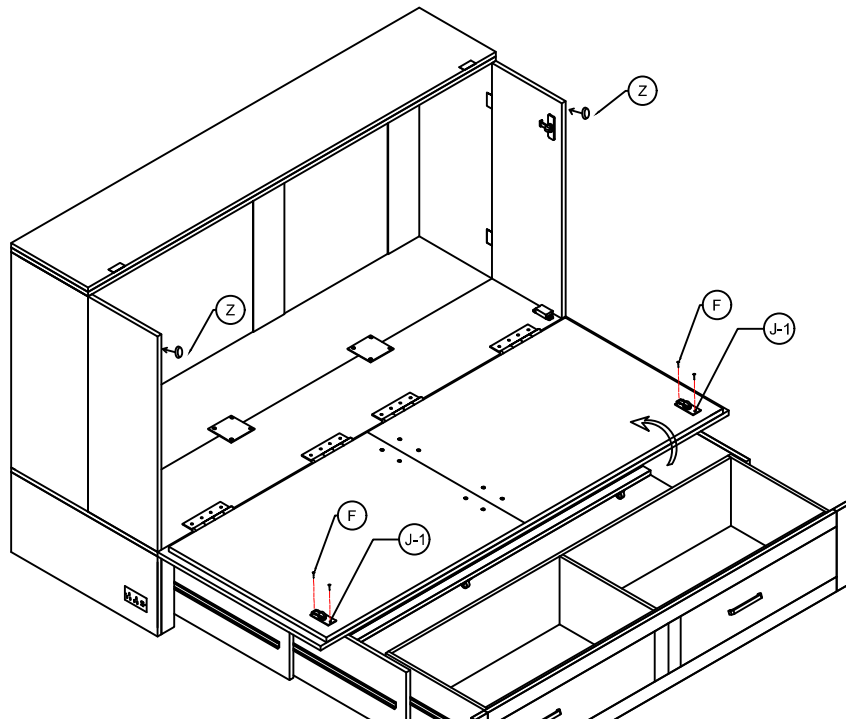
F	 M3.5*14	80 PCS	L		8 PCS
X	 M15*150	4 PCS			

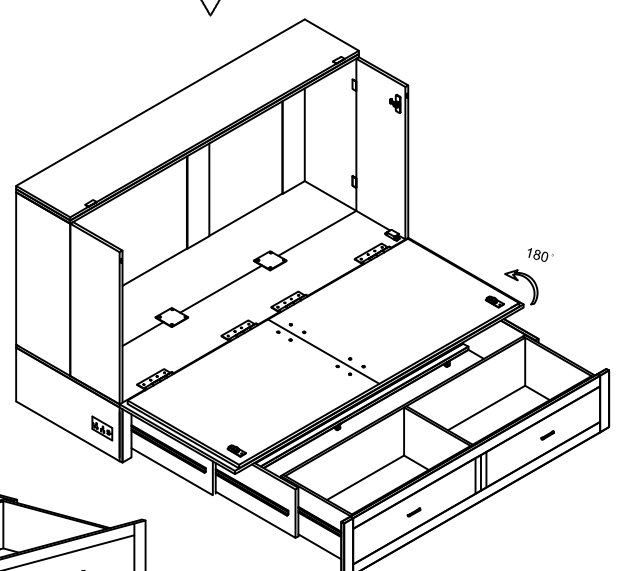
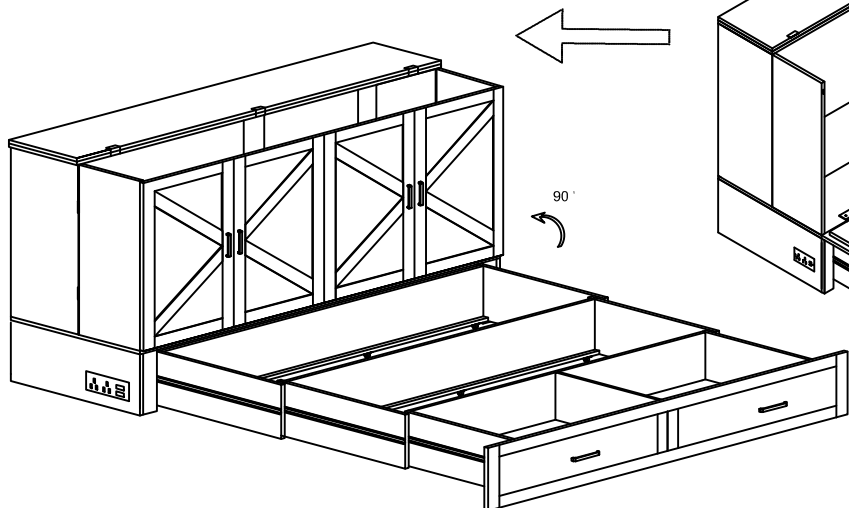
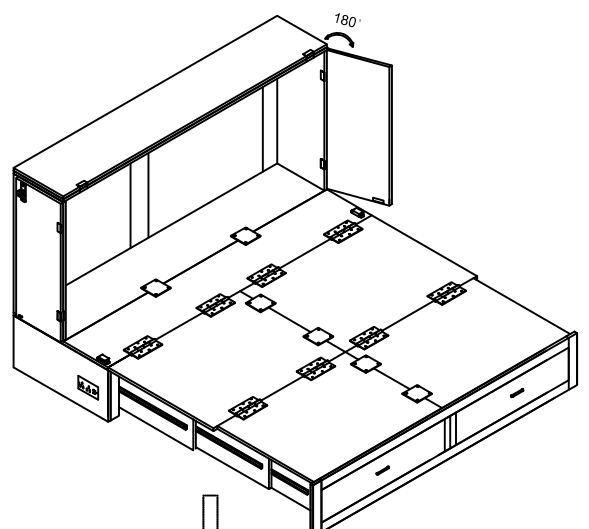
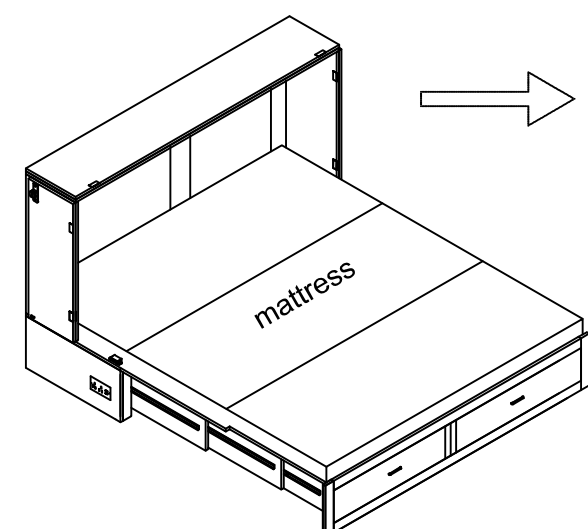
STEP 20



F	 M3.5*14	4 PCS	J	 J-1	2 PCS
Z		2 PCS			

STEP 21





When opening or closing, it is advisable to push and pull simultaneously with both hands.

