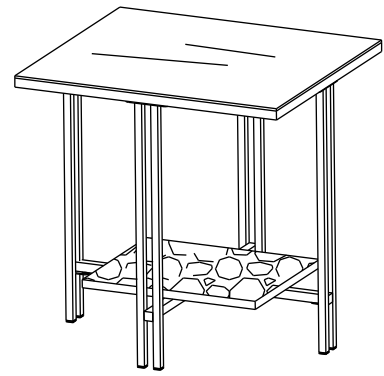
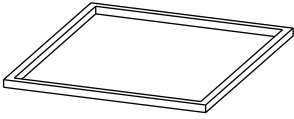
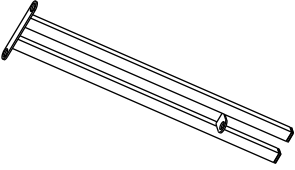
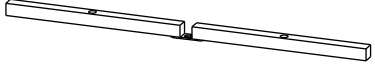

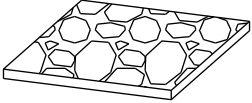

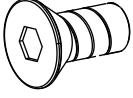
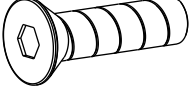

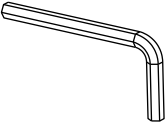


# END TABLE

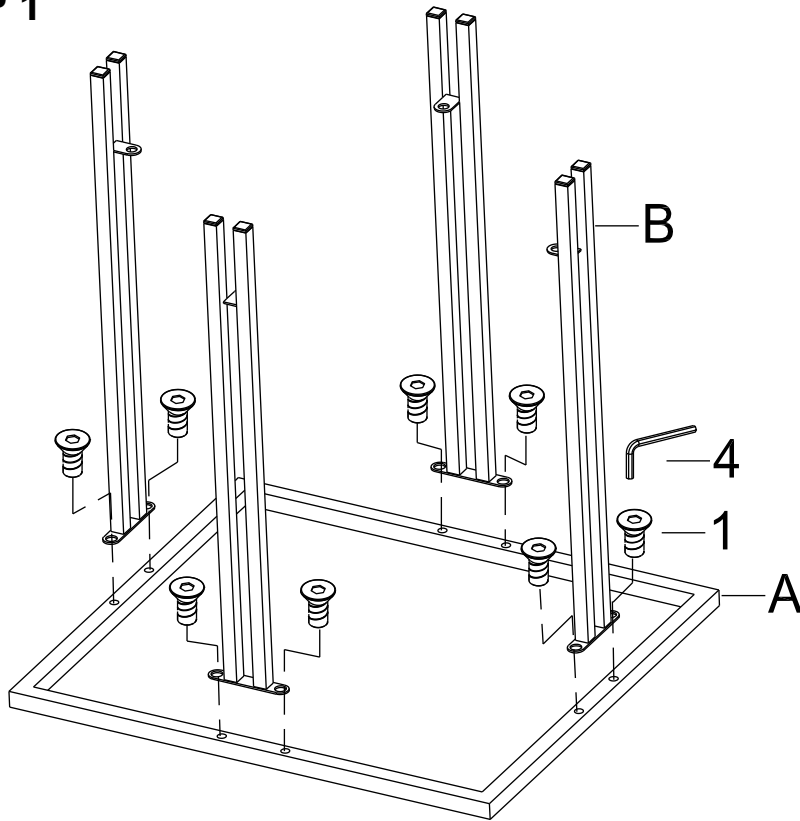


## ASSEMBLY INSTRUCTIONS

<p style="text-align: center;"><b>A</b></p>	<p style="text-align: center;"><b>B</b></p>	<p style="text-align: center;"><b>C</b></p>
 <p style="text-align: center;"><b>TOP FRAME</b> 1PC</p>	 <p style="text-align: center;"><b>LEG</b> 4PCS</p>	 <p style="text-align: center;"><b>BOTTOM STRETCHER</b> 1PC</p>
<p style="text-align: center;"><b>D</b></p>	<p style="text-align: center;"><b>E</b></p>	<p style="text-align: center;"><b>F</b></p>
 <p style="text-align: center;"><b>UPPER STRETCHER</b> 1PC</p> <p style="text-align: center;"><b>1</b></p>	 <p style="text-align: center;"><b>WOOD SHELF</b> 1PC</p> <p style="text-align: center;"><b>2</b></p>	 <p style="text-align: center;"><b>GLASS TOP</b> 1PC</p> <p style="text-align: center;"><b>3</b></p>
 <p style="text-align: center;"><b>BOLT 1/4" X 1/2"</b> 13PCS</p> <p style="text-align: center;"><b>4</b></p>	 <p style="text-align: center;"><b>BOLT 1/4" X 1-1/4"</b> 4PCS</p>	 <p style="text-align: center;"><b>PAD</b> 4PCS</p>
 <p style="text-align: center;"><b>ALLEN KEY</b> 1PC</p>		

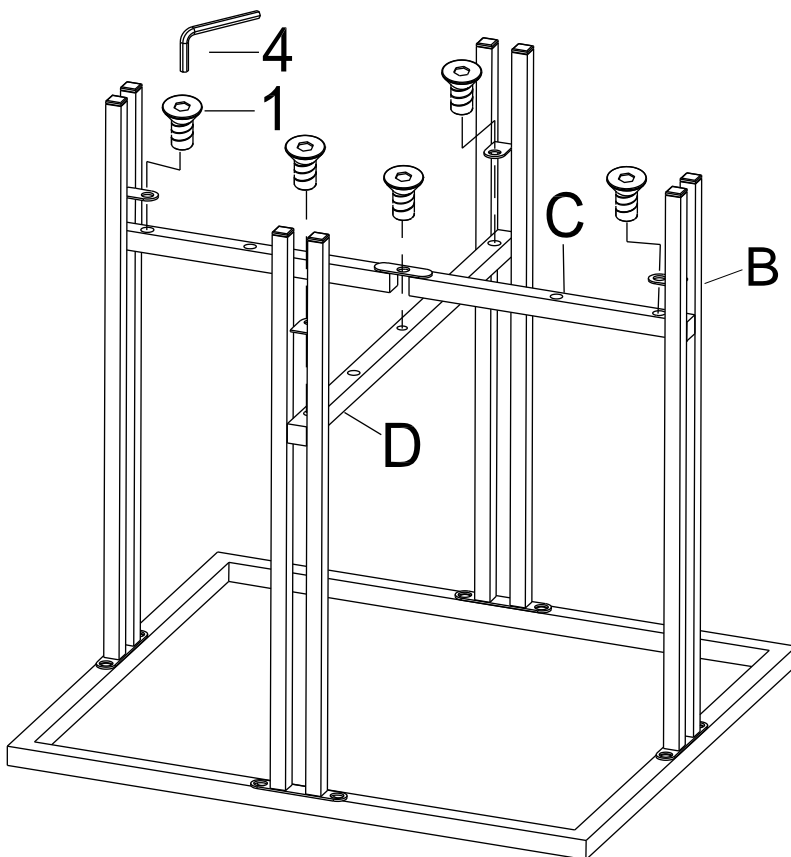
**\*\*\* Do not tighten screws & bolts until the entire unit is completely assembled. \*\*\***

## STEP 1



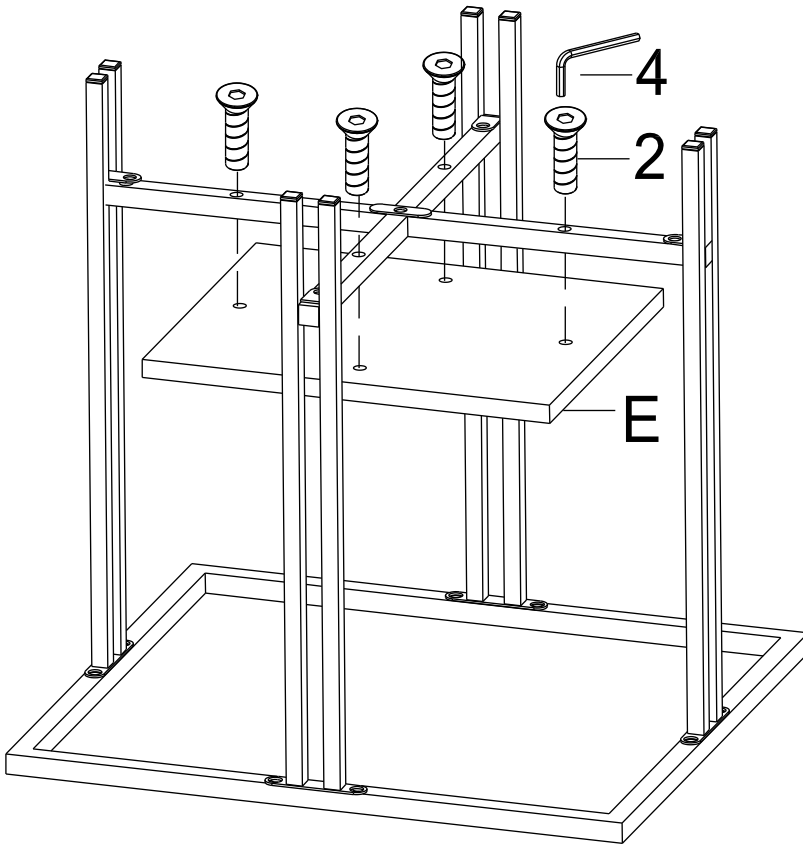
Attach legs (B) to top frame (A) using bolts (1) and allen key (4) as shown.

## STEP 2



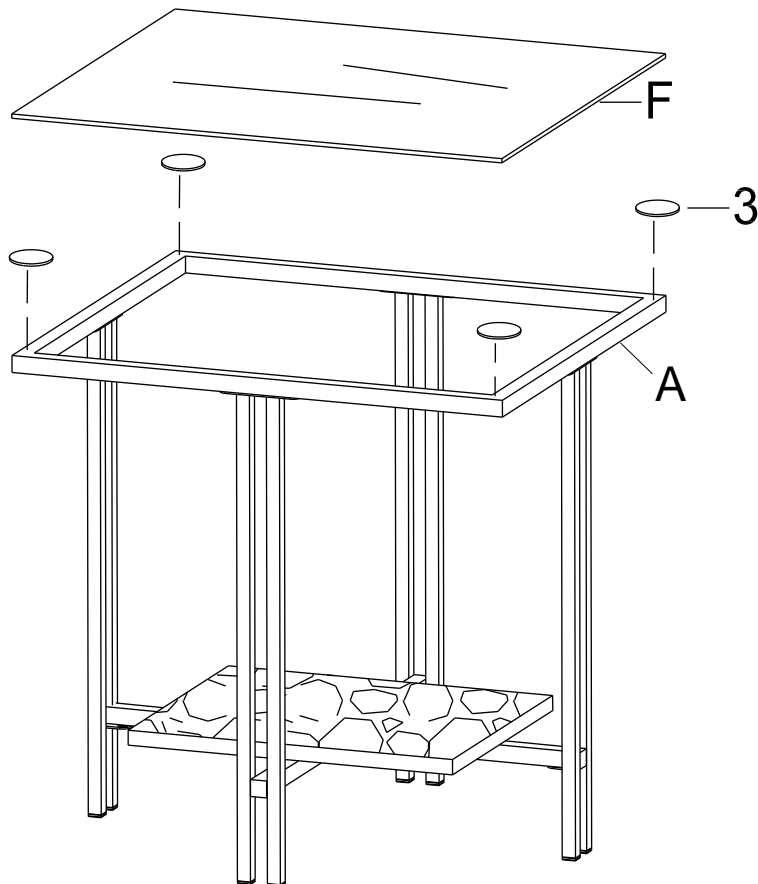
Attach upper stretcher (D) and bottom stretcher (C) to legs (B) using bolts (1) and allen key (4) as shown.

### STEP 3



Attach wood shelf (E) to assemble stretcher using bolts (2) and allen key (4) as shown.

### STEP 4



Attach pads (3) to top frame (A), then place glass top (F) on the top frame (A) as shown.