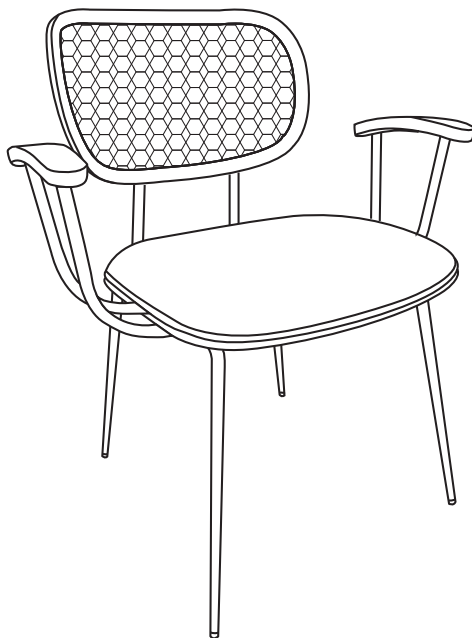
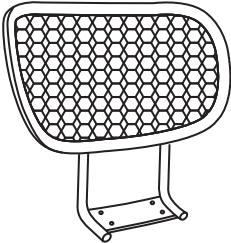
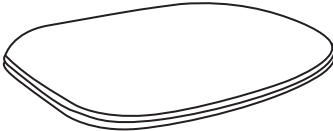
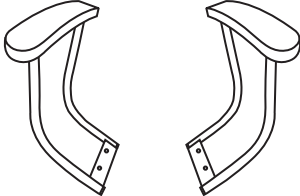
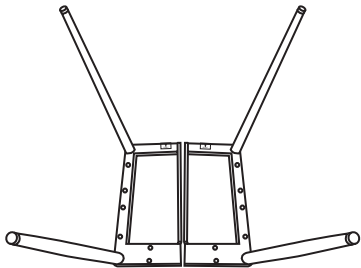
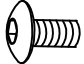

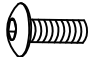


Installation & Assembly



<p>A X 1 PC</p> 	<p>B X 1 PC</p> 	<p>C X 2 PCS</p> 	<p>D X 1 SET</p> 
<p>EX2+1</p>  <p>M8X18mm</p>	<p>FX4 PCS+1Ext</p>  <p>M6X30mm</p>	<p>GX8 PCS+1Ext</p>  <p>M6X20mm</p>	<p>HX1</p> 