

# *ASSEMBLY INSTRUCTIONS*



## Accent Chair

# ASSEMBLY INSTRUCTIONS

## ASSEMBLY TIPS:

1. Remove hardware from box and sort by size.
2. Please check to see that all hardware and parts are present prior to start of assembly.
3. Please follow attached instructions in the same sequence as numbered to assure fast & easy assembly.



## WARNING!

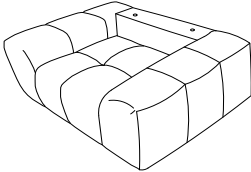
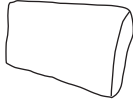



1. Don't attempt to repair or modify parts that are broken or defective. Please contact the store immediately.
2. This product is for home use only and not intended for commercial establishments.








ASSEMBLY TIME

10 MINUTES

## PARTS IDENTIFICATION

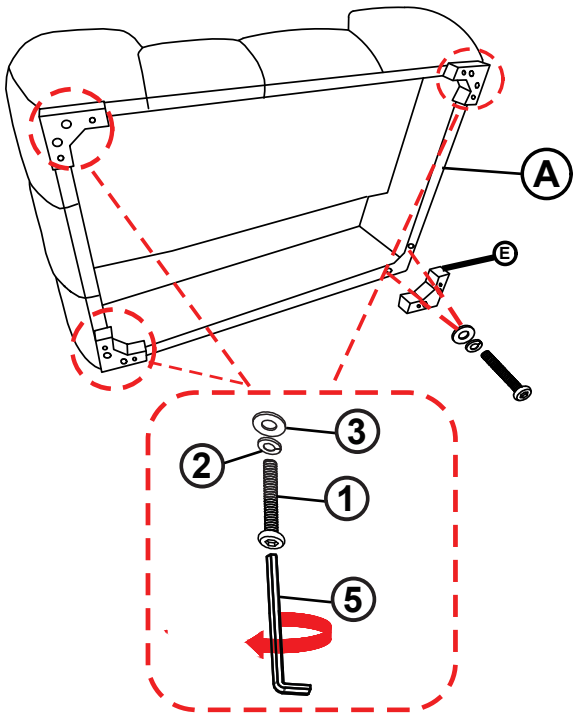
A	CHAIR SEAT		1PC	D	BACK CUSHION		1PC
B	PILLOW		1PC	E	LEG		4PCS
C	BACKREST		1PC				

## HARDWARE IDENTIFICATION

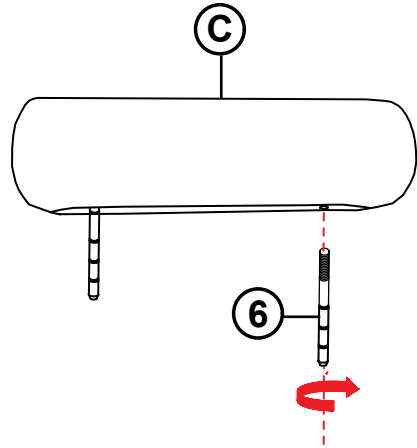
1	BOLT (5/16" X 70mm - RBW)		8PCS	5	ALLEN WRENCH (M4 - RBW)		1PC
2	LOCK WASHER (5/16" X 12mm - RBW)		8PCS	6	HEADREST CONNECTOR		2PCS
3	FLAT WASHER (5/16" X 16mm - RBW)		8PCS				

# ASSEMBLY INSTRUCTIONS

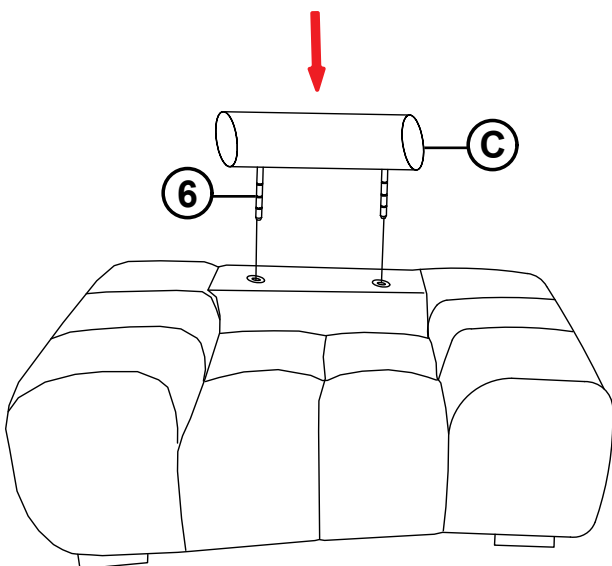
## STEP 1



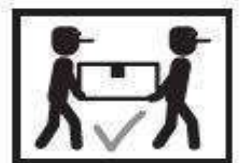
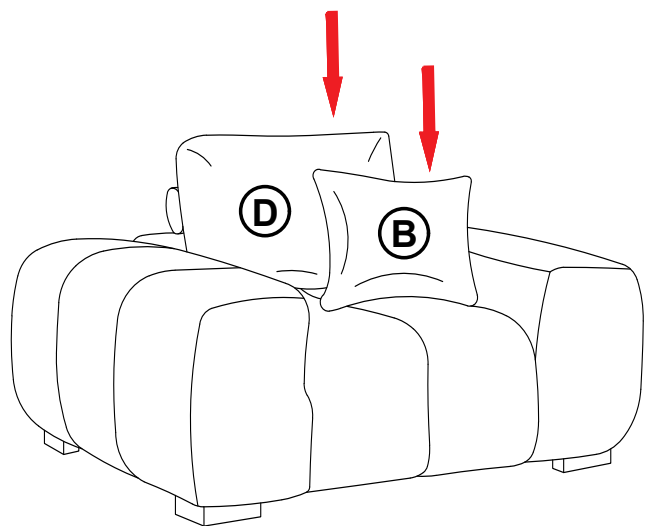
## STEP 2

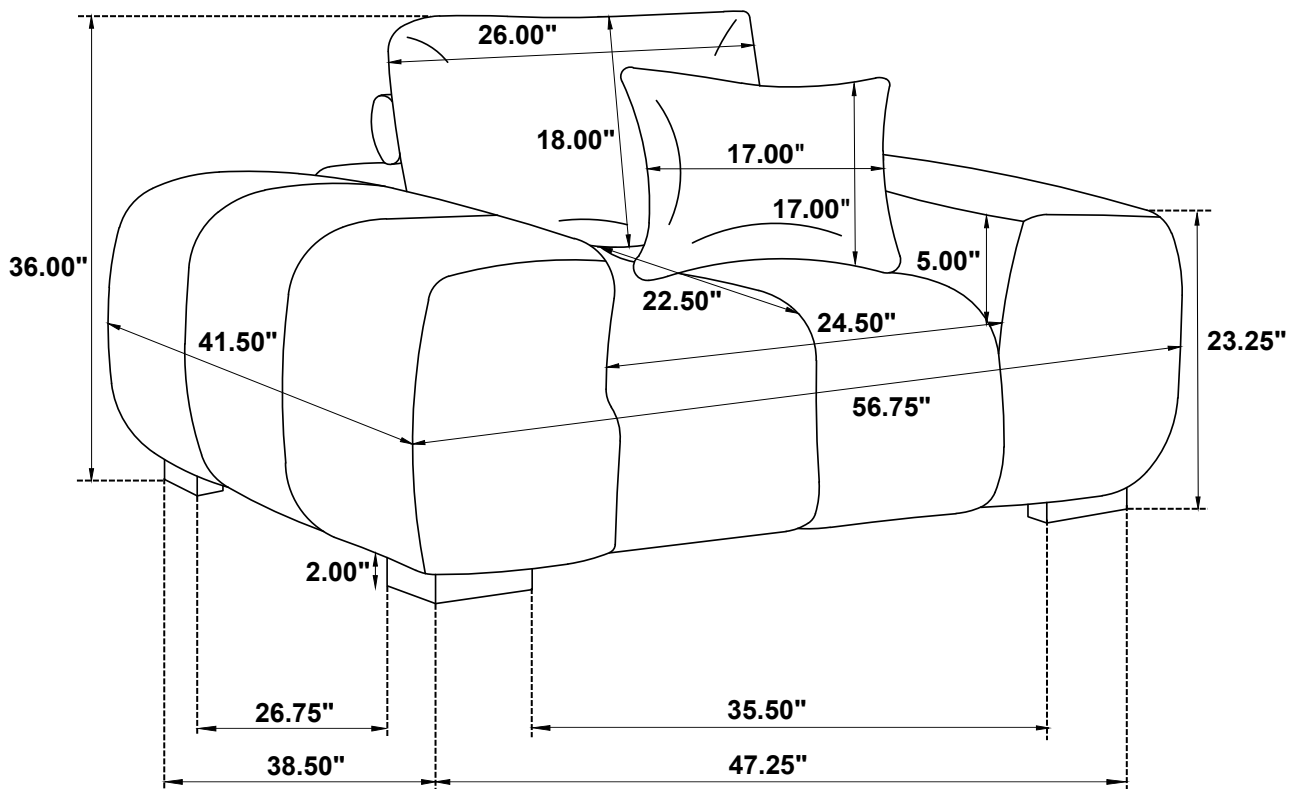


## STEP 3



## STEP 4 COMPLETE





**Note: Dimension tolerance  $\pm 5\%$**