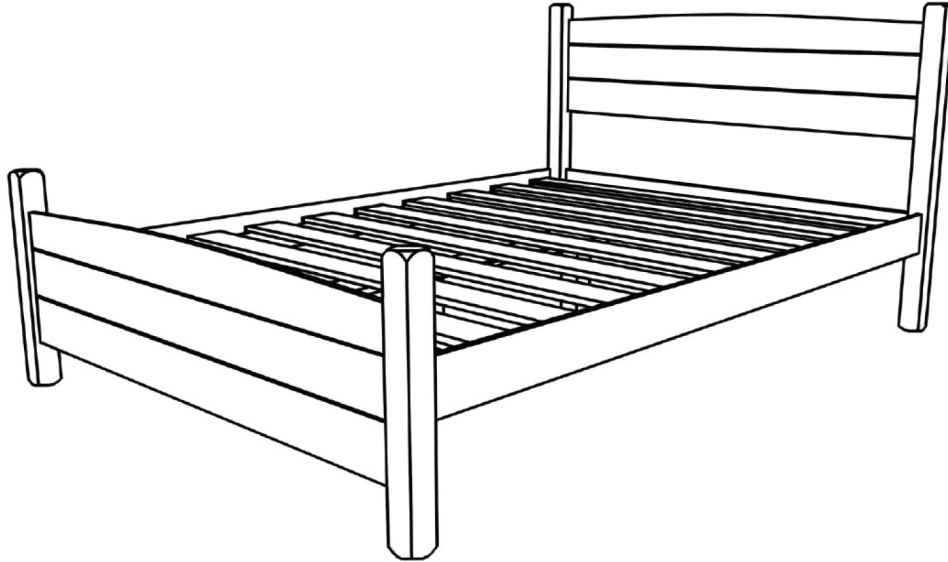
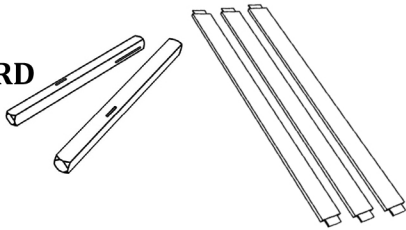


THE TRADITIONAL COUNTRY BED



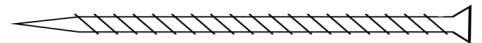
Contents

1 HEADBOARD

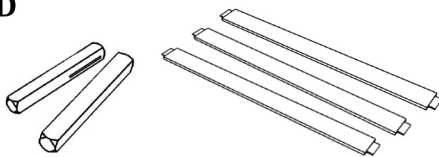


6 60MM SCREWS

X 32



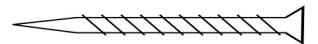
2 FOOTBOARD



7 35MM SCREWS

X 14-22

(Depending on bed size)



3 LONG RAILS

X 2



8 ADDITIONAL CENTRAL SUPPORT

NOTE: For Small Super King
(6ft Wide) and bigger beds only

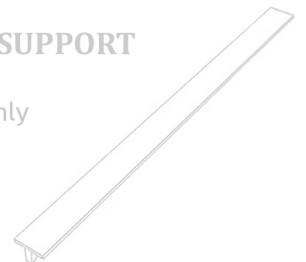
4 CAPS

X 32



9 BISCUITS

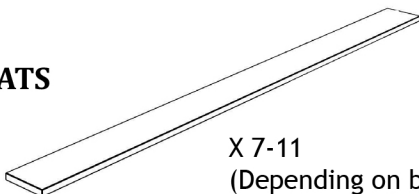
X 12



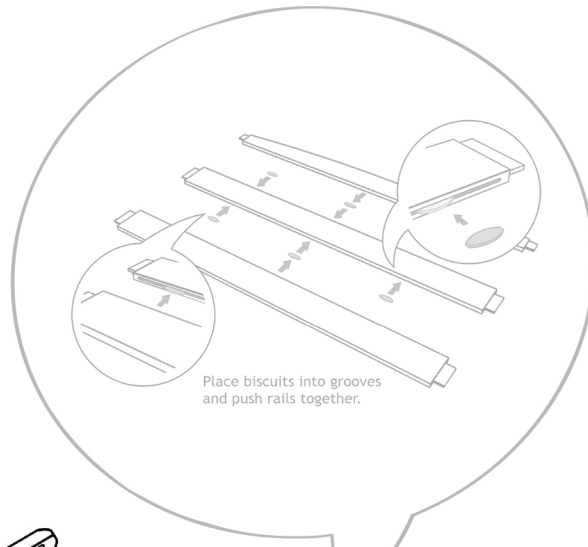
5 SLATS

X 7-11

(Depending on bed size)

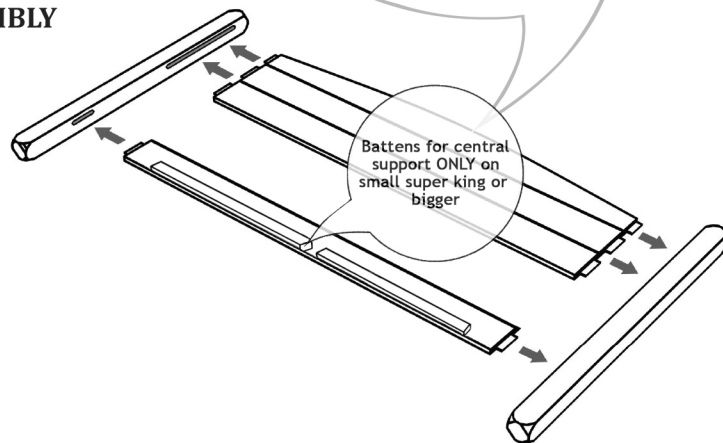


NOTE: FOR LARGER BEDS ONLY



Place biscuits into grooves and push rails together.

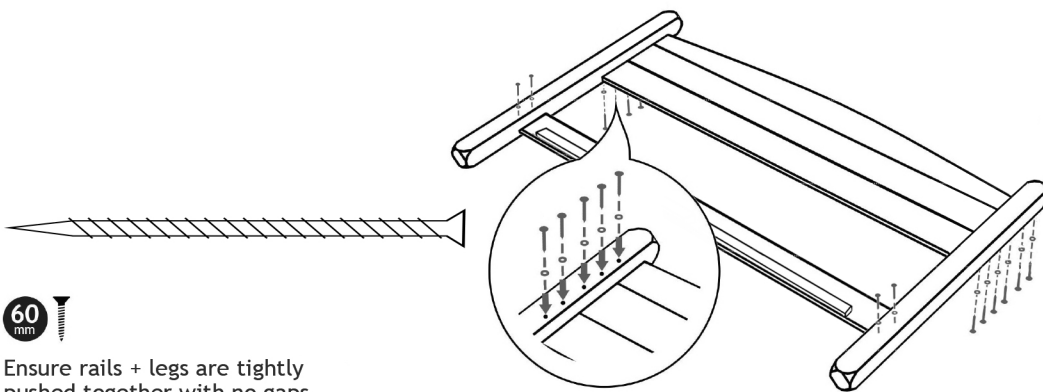
1 HEADBOARD ASSEMBLY



Battens for central support ONLY on small super king or bigger

Ensure best face is forward and insert rails into legs.

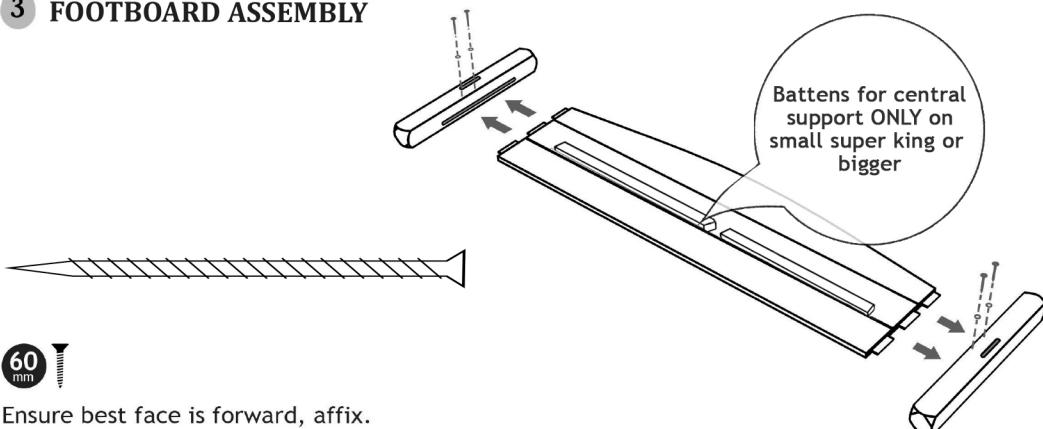
2 HEADBOARD ASSEMBLY



60 mm

Ensure rails + legs are tightly pushed together with no gaps

3 FOOTBOARD ASSEMBLY

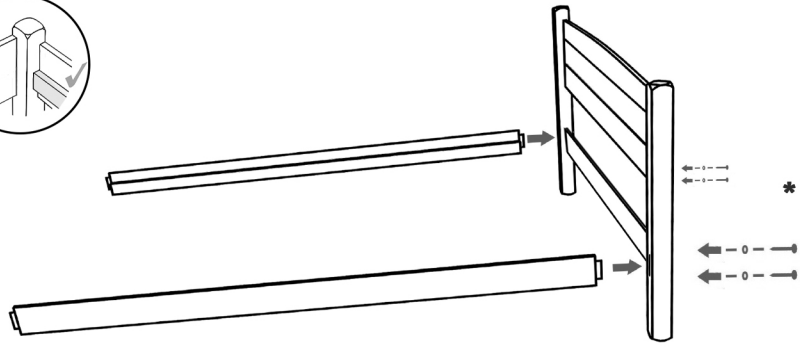
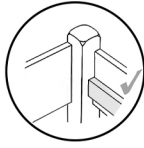
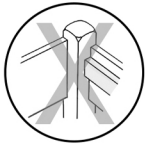


Battens for central support ONLY on small super king or bigger

60 mm

Ensure best face is forward, affix.

4 SECURING HEADBOARD - IMPORTANT STEP



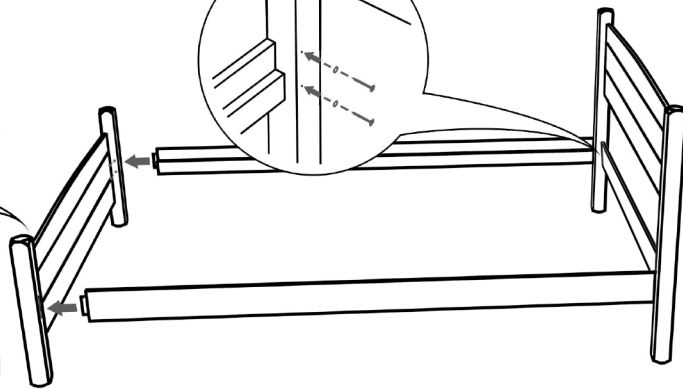
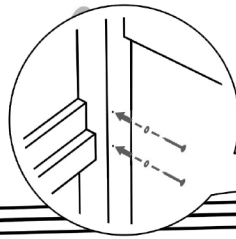
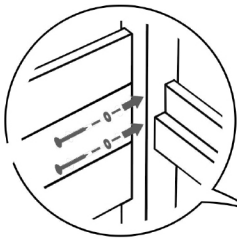
X4

***IMPORTANT**

60 mm

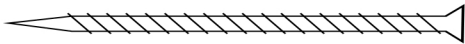
Push side rails into the leg, affix.

5 SECURING FOOTBOARD

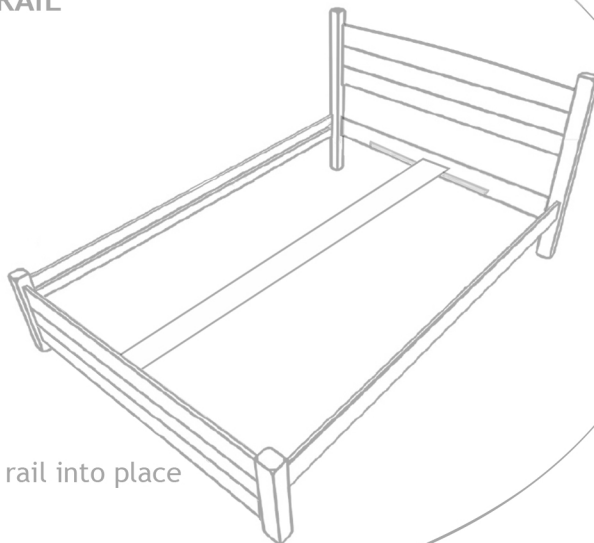


60 mm

Connect preassembled footboard to rails.



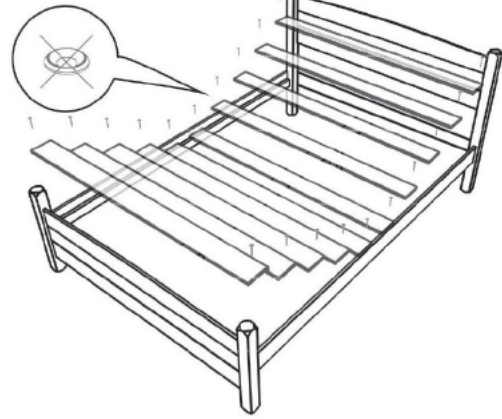
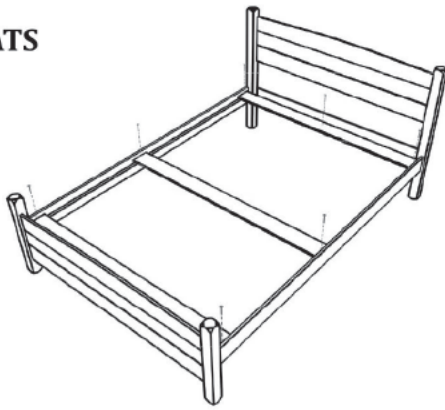
**ADDITIONAL STEP FOR LARGER BEDS ONLY
CENTRAL RAIL**



Slot central rail into place

6 SLATS

35 mm



7 FINISHED

All slats must be secured as instructed. Failure to do so will void the guarantee.



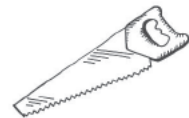
Time for a cup of tea, go on!

Important Information About Your Solid Slats



Designed By You

Get the perfect style
& fit for you.



Handmade By Us

Everything lovingly
made to order in Leicester, UK.

As an experienced carpenter, I work tirelessly to ensure that all our beds are made to the highest standard possible. I wanted to offer you some further technical detail about your new bed, and in particular your frame's solid slats.

Important Information

- Whilst not designed for aesthetic appearance, solid slats are designed with one purpose, to be as strong and as durable as they possibly can be.
- Compared to sprung slats, solid slats provide a greater amount of support for yourself and your mattress.
- Slats are known to have small, yet insignificant imperfections such as knots or discolouration. Rest assured these will not devalue their strength or durability.
- All of our slats, as well as the entirety of your bed frame is quality checked by myself before being packed and delivered to you.

- Solid slats are covered in our 11 year guarantee. In the rare instance your slats might be damaged, we can send out replacement slats within 24 hours of being notified.



11 Year
Guarantee



Eco-Friendly