



Undertone®
Undermount bar sink
K-3330

Features

- 21" (533 mm) minimum base cabinet width.
- Single bowl.
- 9-1/2" depth provides generous workspace.
- Rear drain increases workspace in the sink and storage space underneath.
- Includes installation hardware.

Material

- Premium 18-gauge stainless steel.

Installation

- Undermount.

Recommended Products/Accessories

- K-6388 Sink Rack
- K-8801 Sink drain and strainer with tailpiece
- K-8799 Sink drain and strainer basket
- K-23726 Drain treatment
- K-23729 Stainless steel cleaner

Optional Products/Accessories

- K-11352 Disposal Flange with Stopper



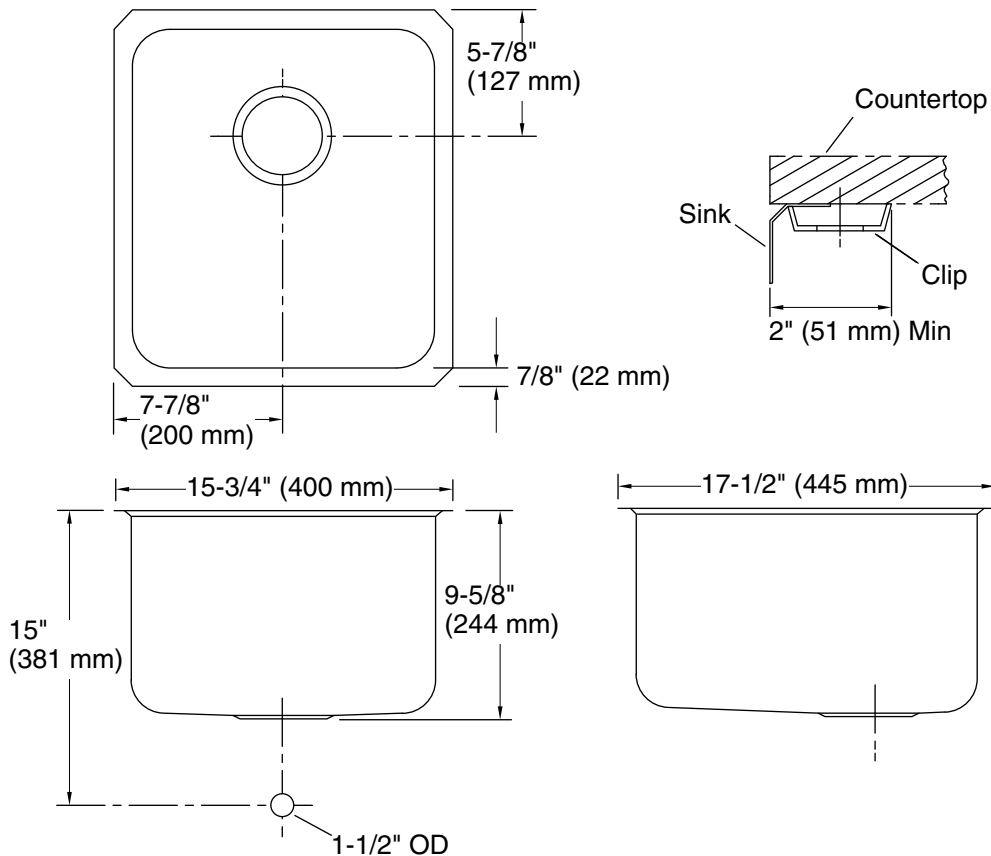
ADA

Codes/Standards

ASME A112.19.3/CSA B45.4
ADA
ICC/ANSI A117.1

**Lifetime Limited Warranty for
KOHLER® Stainless Steel Sinks**

See website for detailed warranty information.



Technical Information

All product dimensions are nominal.

Installation:	Under-mount
Min. base cabinet width:	21" (533 mm)
Bowl area:	Length: 14" (356 mm) Width: 15-3/4" (400 mm) Bowl depth: 9-1/2" (241 mm) Water depth: 9-1/2" (241 mm)
Drain hole:	3-5/8" (92 mm)
Template:	111134-7, required, included

Notes

Install this product according to the installation instructions.

Allow a minimum of 2" (51 mm) clearance around the sink rim for clip attachment.

ADA compliant when installed to the specific requirements of these regulations.

ADA permits a parallel approach to wet bars.