

Instruction Manual

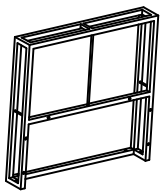
Thank you for shopping with us!

We appreciate your purchase and are ready to be at your service!

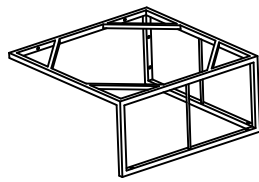
If you find parts missing, broken, or hard to put together or when you are not satisfied or have any valuable suggestions, please do not hesitate to contact us first!

We will definitely give you a satisfactory solution or answer then!

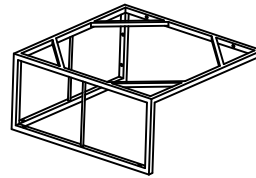
Contact us at our after-sales service email: CSsince1987@hotmail.com



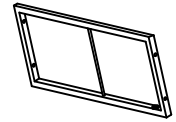
E: Middle sofa back
2pcs



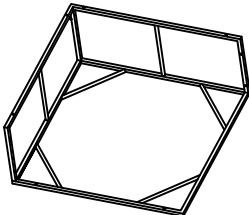
G: Left middle sofa seat
1pc



H: Right middle sofa seat
1pc



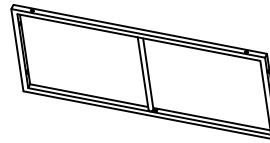
I: middle sofa side part
2pcs



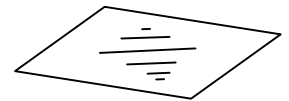
K: Table top
1pc



L: Table part1
1pc



M: Table part2
1pc



Glass
1pc



S: Screw M6*50mm
12pcs



T: Screw M6*35mm
14pcs



V: Shim $\phi 16*6.4*1$
38pcs



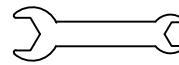
W: Nut M6
12pcs



Z: Adjustable Screw
24pcs



Inner hexagon spanner
1pc



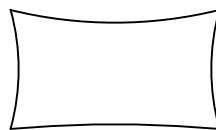
Open spanner
1pc



Plastic parts
4pcs

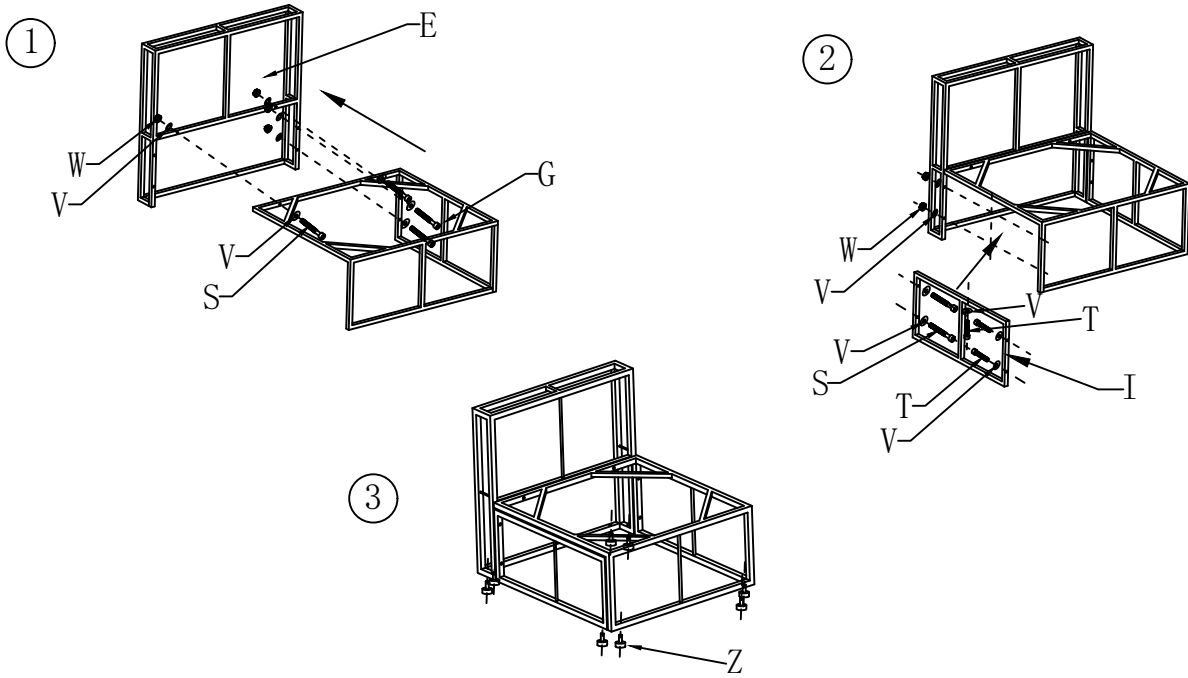


Seat cotton (lounger)
2pcs



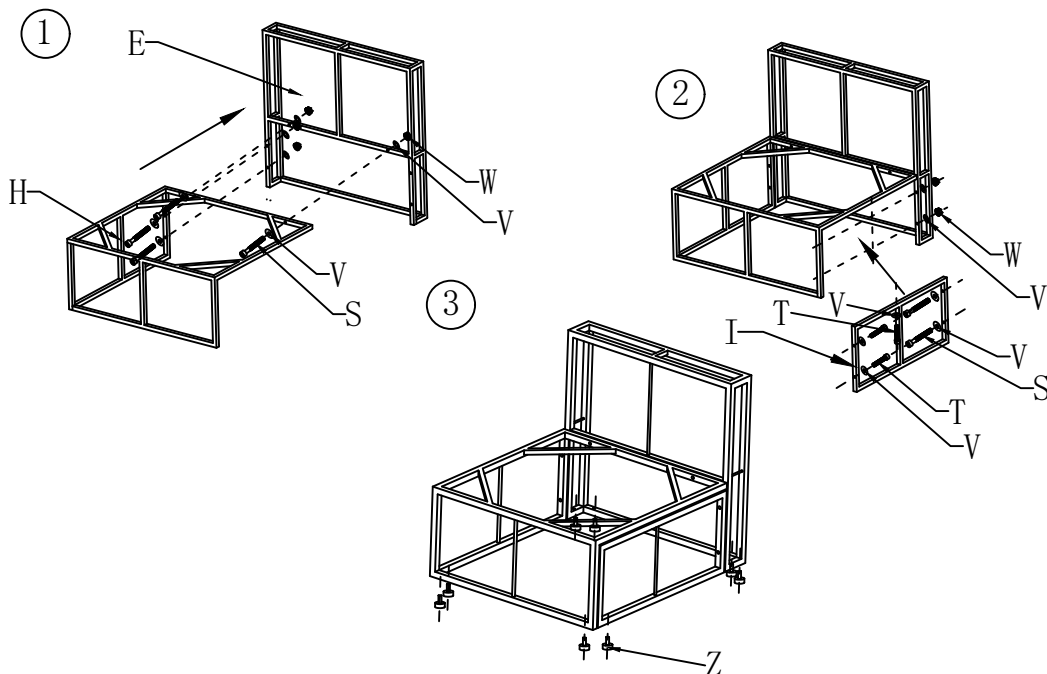
Back cotton
2pcs

Left middle sofa

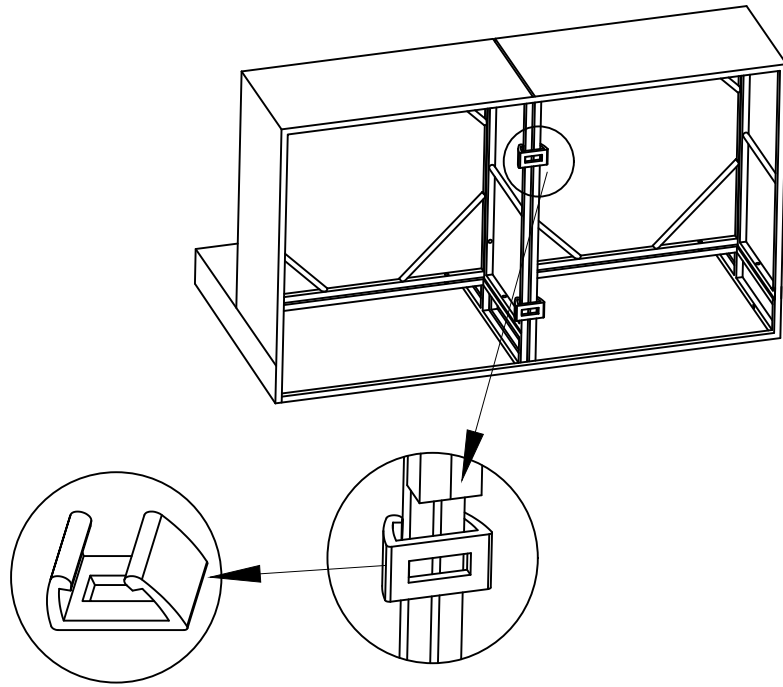


Note: Please do not fix screws tightly before all screws and holes connected.
Tks.

Right middle sofa

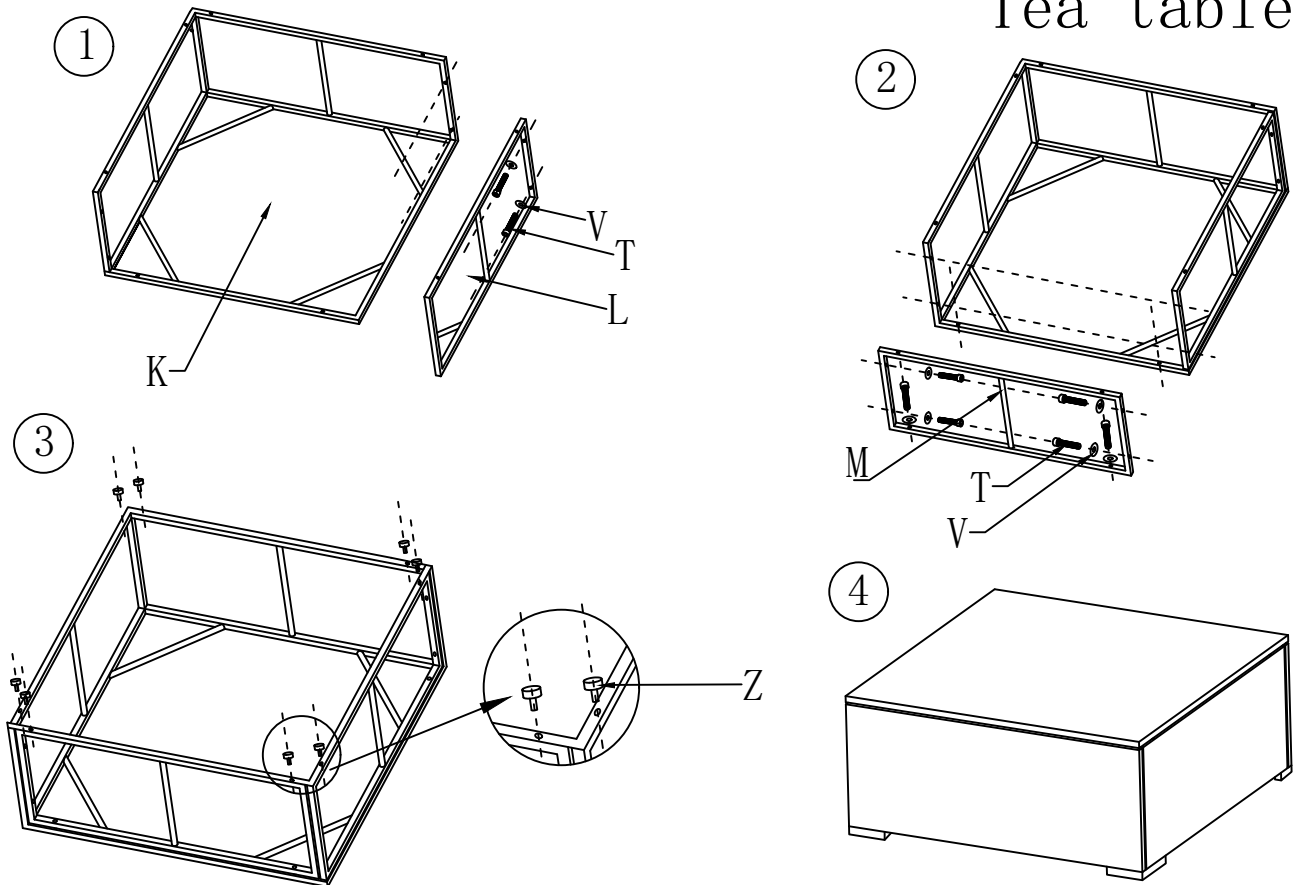


Note: Please do not fix screws tightly before all screws and holes connected.
Tks.



Note: Please do not fix screws tightly before all screws and holes connected.
Tks.

Tea table



Note: Please do not fix screws tightly before all screws and holes connected.
Tks.