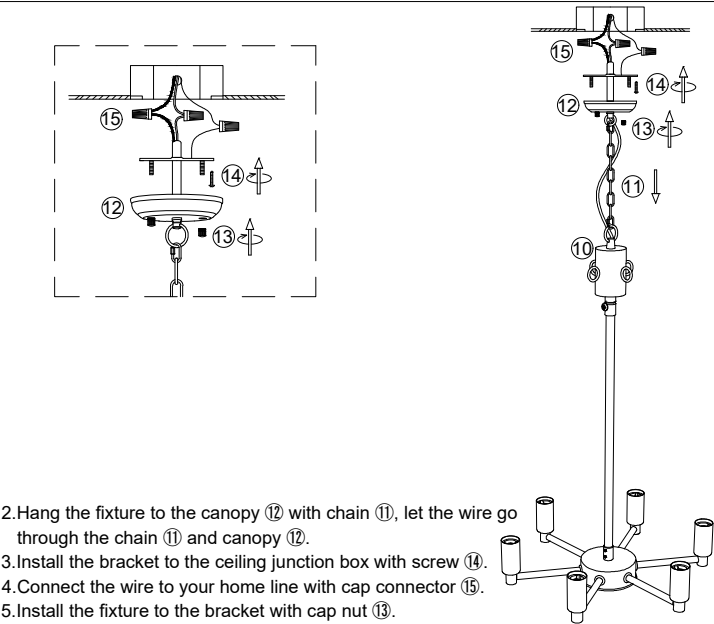
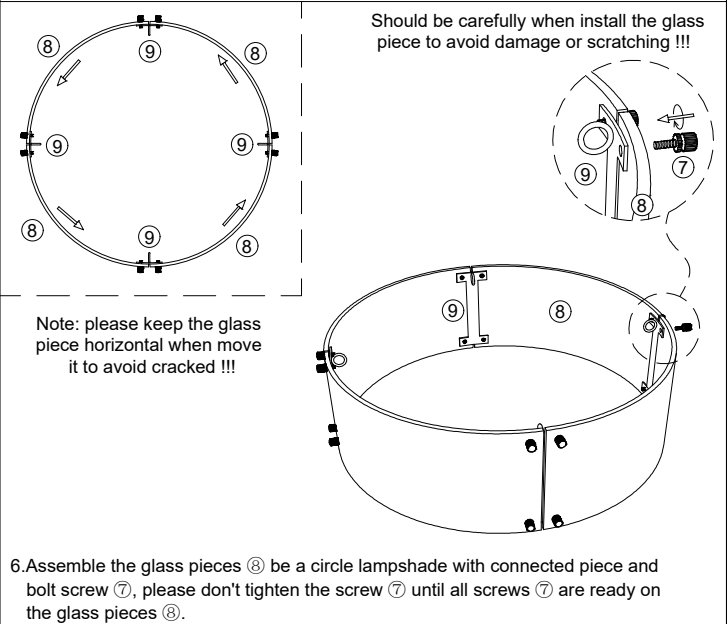


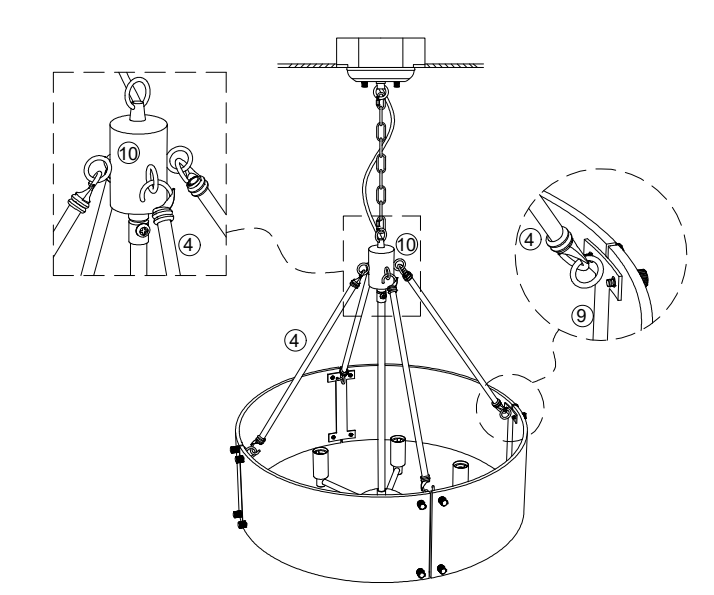
1. Let the wire of the fixture ① go through the hanging tube ③ and junction box ⑩, rotate both to the light fixture and fix the tube ③ with grub screw ⑤ by hex key ⑥.



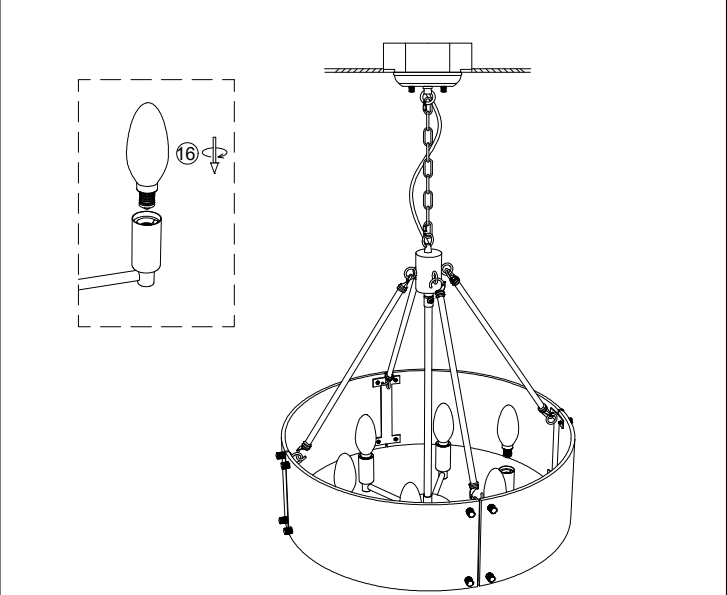
2. Hang the fixture to the canopy ⑫ with chain ⑪, let the wire go through the chain ⑪ and canopy ⑫.  
 3. Install the bracket to the ceiling junction box with screw ⑭.  
 4. Connect the wire to your home line with cap connector ⑬.  
 5. Install the fixture to the bracket with cap nut ⑬.



6. Assemble the glass pieces ⑧ be a circle lampshade with connected piece and bolt screw ⑦, please don't tighten the screw ⑦ until all screws ⑦ are ready on the glass pieces ⑧.



7. Hang the lampshade to the junction box ⑩ with hooked tube ④.



8. Install the bulb ⑯.

Please read carefully before installation!!!  
 Note : Please make sure that the electricity is powered off during installation !  
 Only a professional electrician should install this kind of product !