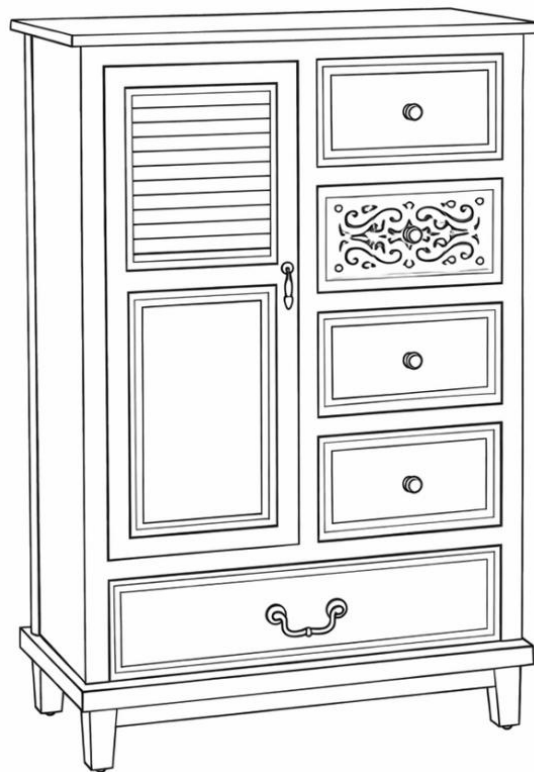


Assembly Instruction

Accent Cabinet



⚠ WARNING:

- Read all instructions carefully and completely before assembly and use.
- Retain for future reference.
- **DO NOT use power tools.**
- **DO NOT over-tighten hardware.**
- Periodically check all hardware and re-tighten as necessary.
- DO NOT sit or stand on product. Use only for intended purpose.
- DO NOT exceed 80 lbs for the tabletop and 10 lbs for the drawers& shelf, evenly distributed.

Parts List

Check all parts before assembly

| Item no. | Reference image | QTY. | Item no. | Reference image | QTY. | Item no. | Reference image | QTY. |
|----------|-----------------|------|----------|-----------------|------|----------|-----------------|------|
| A. | | 1 | H. | | 1 | O. | | 1 |
| B. | | 1 | I. | | 2 | P. | | 5 |
| C. | | 1 | J. | | 1 | Q. | | 5 |
| D. | | 1 | K. | | 1 | R. | | 5 |
| E. | | 1 | L. | | 1 | S. | | 4 |
| F. | | 1 | M. | | 1 | T. | | 1 |
| G. | | 1 | N. | | 1 | U. | | 4 |
| | | | | | | V. | | 1 |
| H1. | | 8+1 | H7. | | 20+2 | H13. | | 5+1 |
| H2. | | 12+2 | H8. | | 1 | H14. | | 1+1 |
| H3. | | 10+1 | H9. | | 4 | H15. | | 4+1 |
| H4. | | 10+1 | H10. | | 1 | H16. | | 2+1 |
| H5. | | 24+3 | H11. | | 2 | H17/18. | | 1/1 |
| H6. | | 24+3 | H12. | | 1+1 | H19. | | 4 |

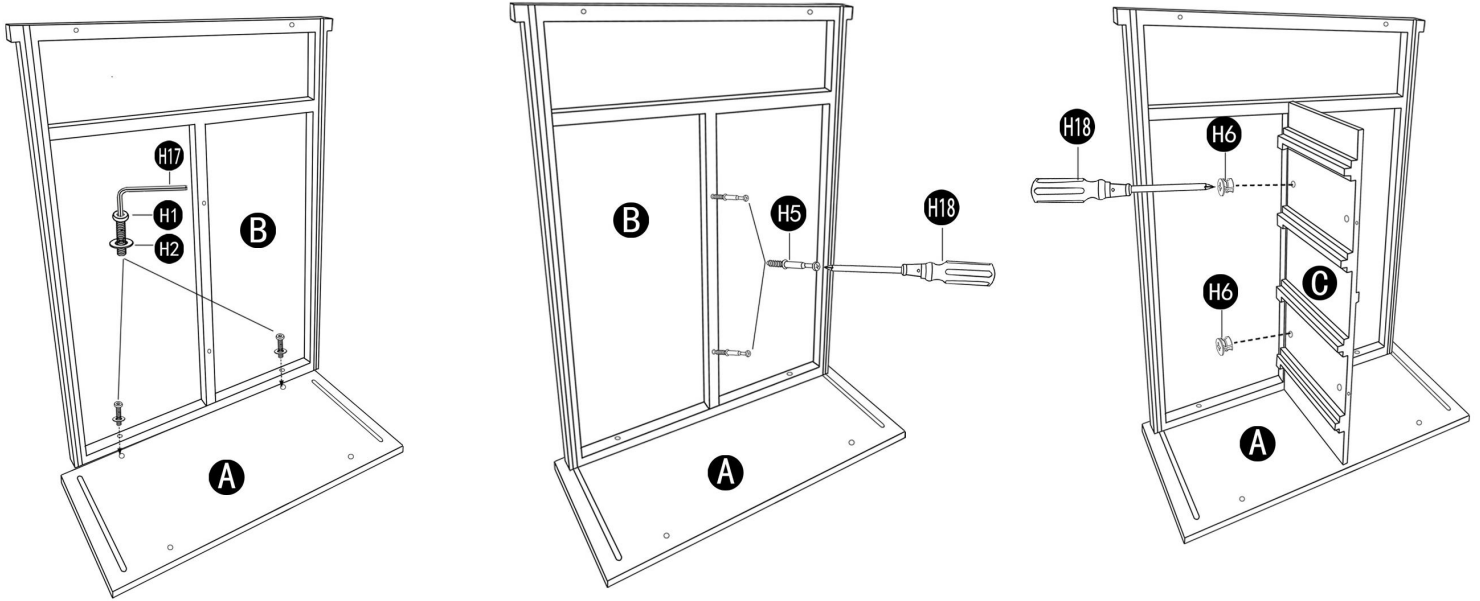
Step 1: Put the Top drawer frame's panel (A) on a soft surface to protect the finish.

Attach the Panel (B) to Panel (A) with Hex bolt (H1)& washer (H2) by Allen Key (H17).

Insert the Bolt (H5) to the pre-drilled holes on Panel (B) by Spanner (H18) as shown below.

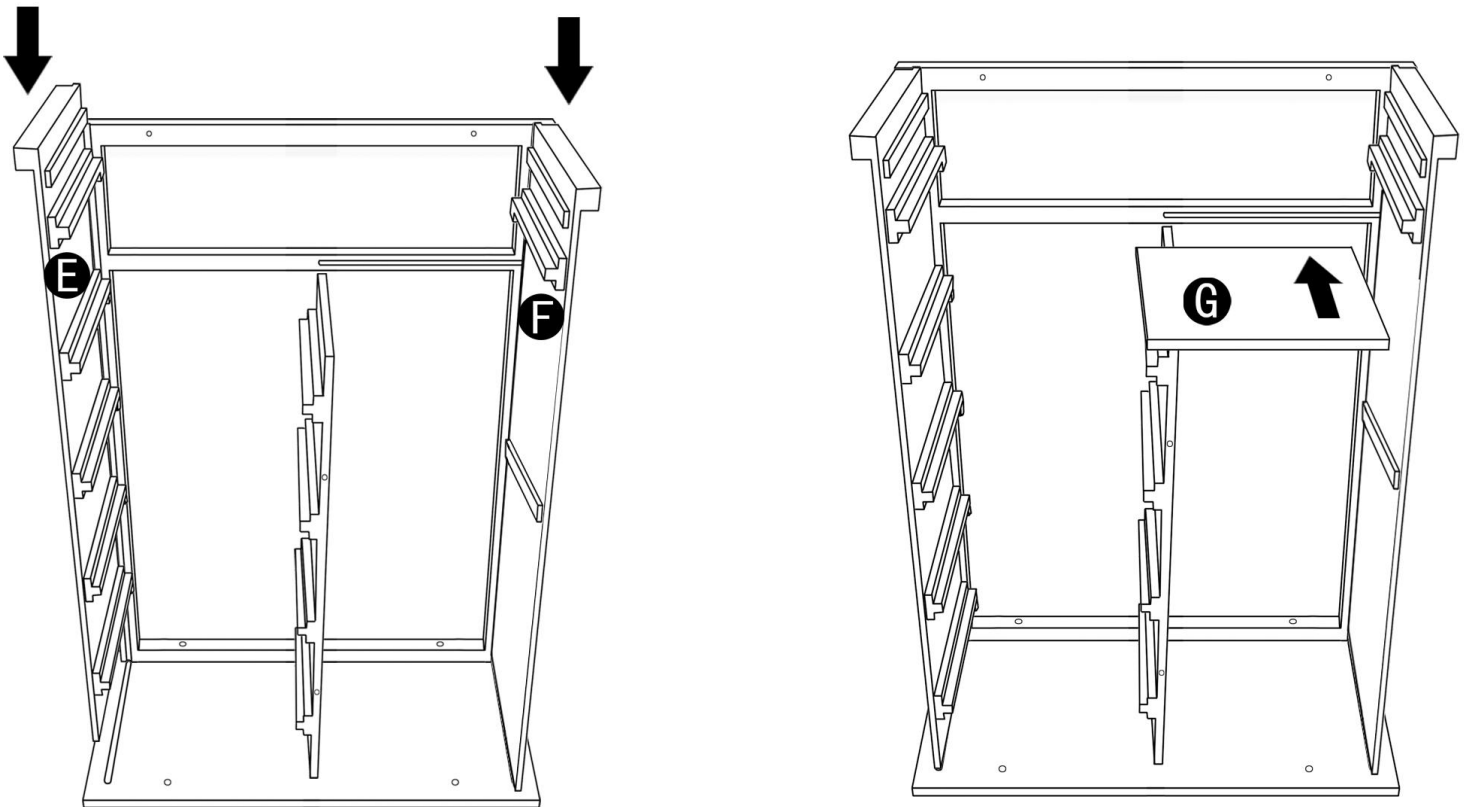
Attach the Panel (C) to Panel (B) with Screw (H6) by Spanner (H18).

Do not over tighten the screw on this step.



Step 2: Insert Panel (E&F)& to Panel (B), and Insert Panel (G) Panel (B) to as shown below.

Ensure the Panel(E&F&G) aligned with the Grooves on Panel (B).

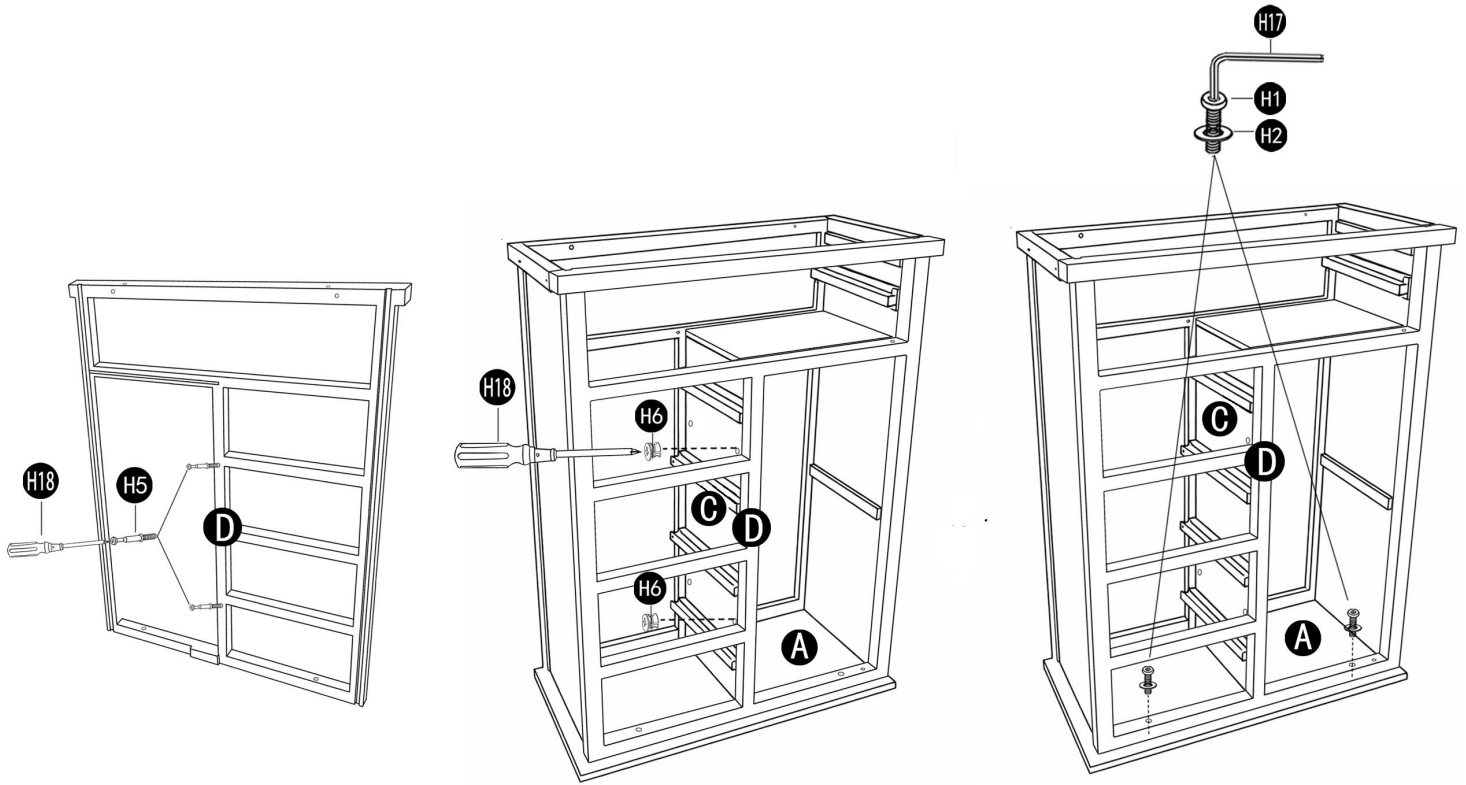


Step 3: Insert the Bolt (H5) to the pre-drilled holes on Panel (D) by Spanner (H18) as shown below.

Attach the Panel (C) to Panel (D) with Screw (H6) by Spanner (H18).

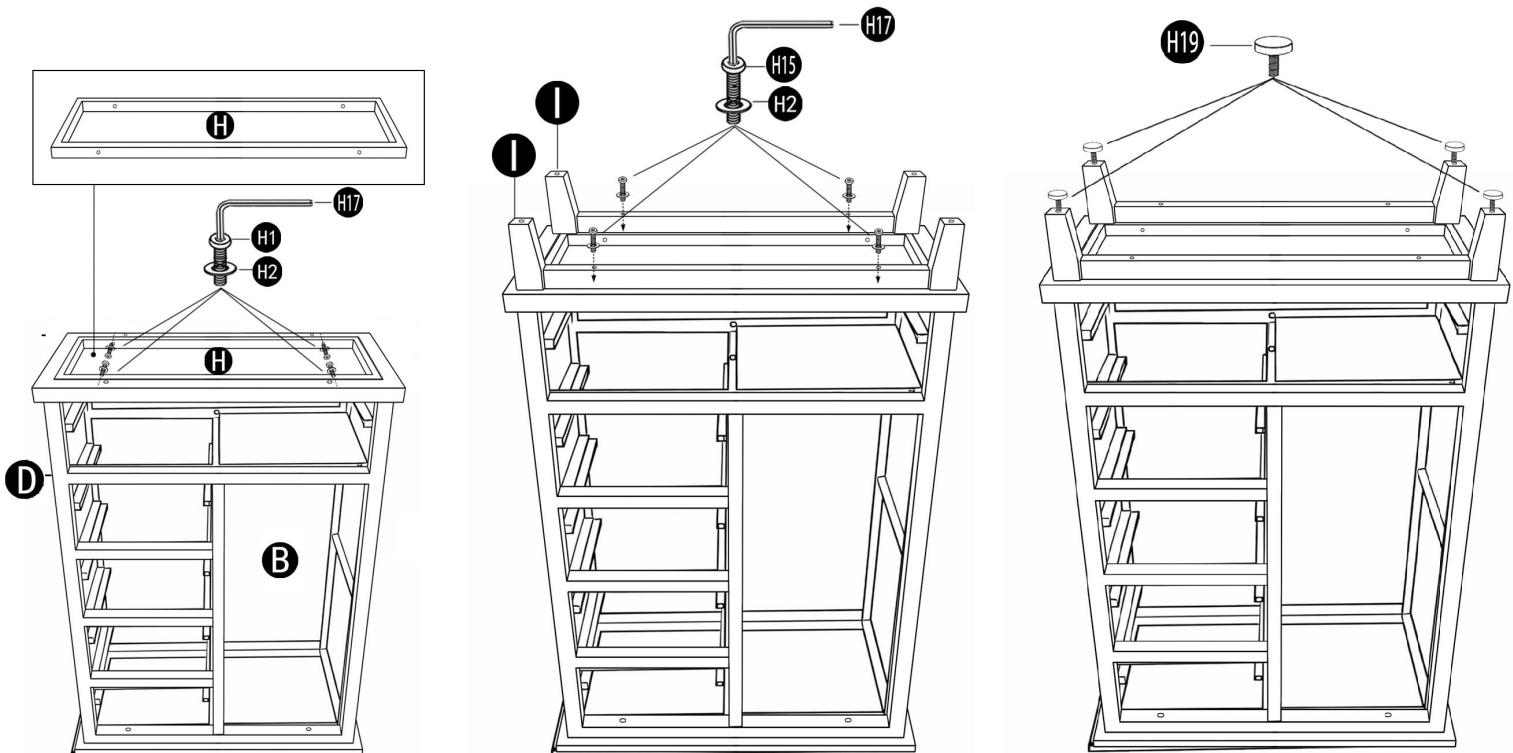
Attach the Panel (D) to Panel (A) with Hex bolt (H1)& washer (H2) by Allen Key (H17).

Do not over tighten the screw on this step.



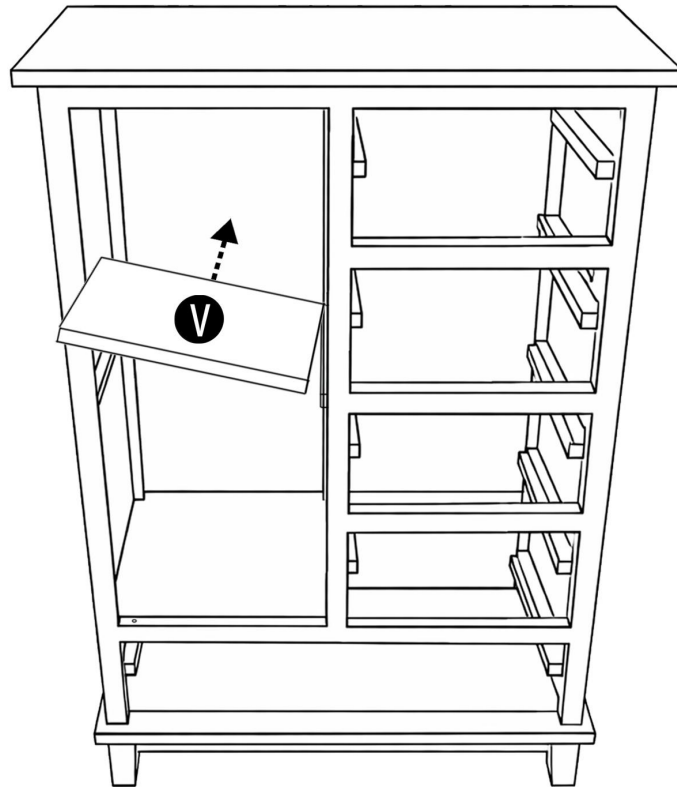
Step 4: Attach the Panel (H) to Panel (D&B) with Hex bolt (H1)& washer (H2) by Allen Key (H17). Attach the Legs (I) to the Panel (H) with Bolt (H15)& washer (H2) by Allen Key (H17). **Fully tighten all Bolts from step 1 to 4.**

Attach the Foot pad (H19) to all Leg as below.



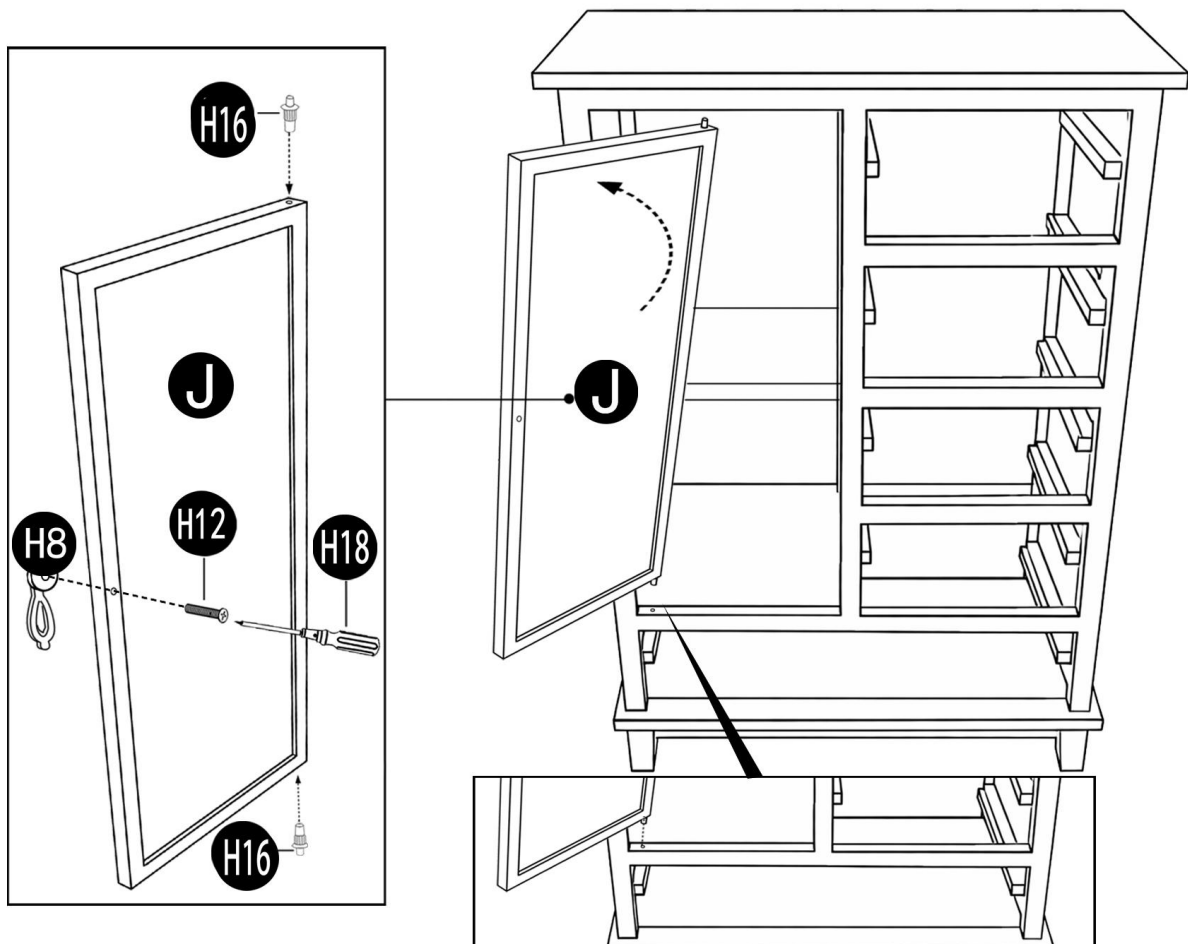
Step 5: TWO PEOPLE REQUIRED when turning the item upside down to avoid breaking the legs.

Place the Shelf (V) into the main body as below.

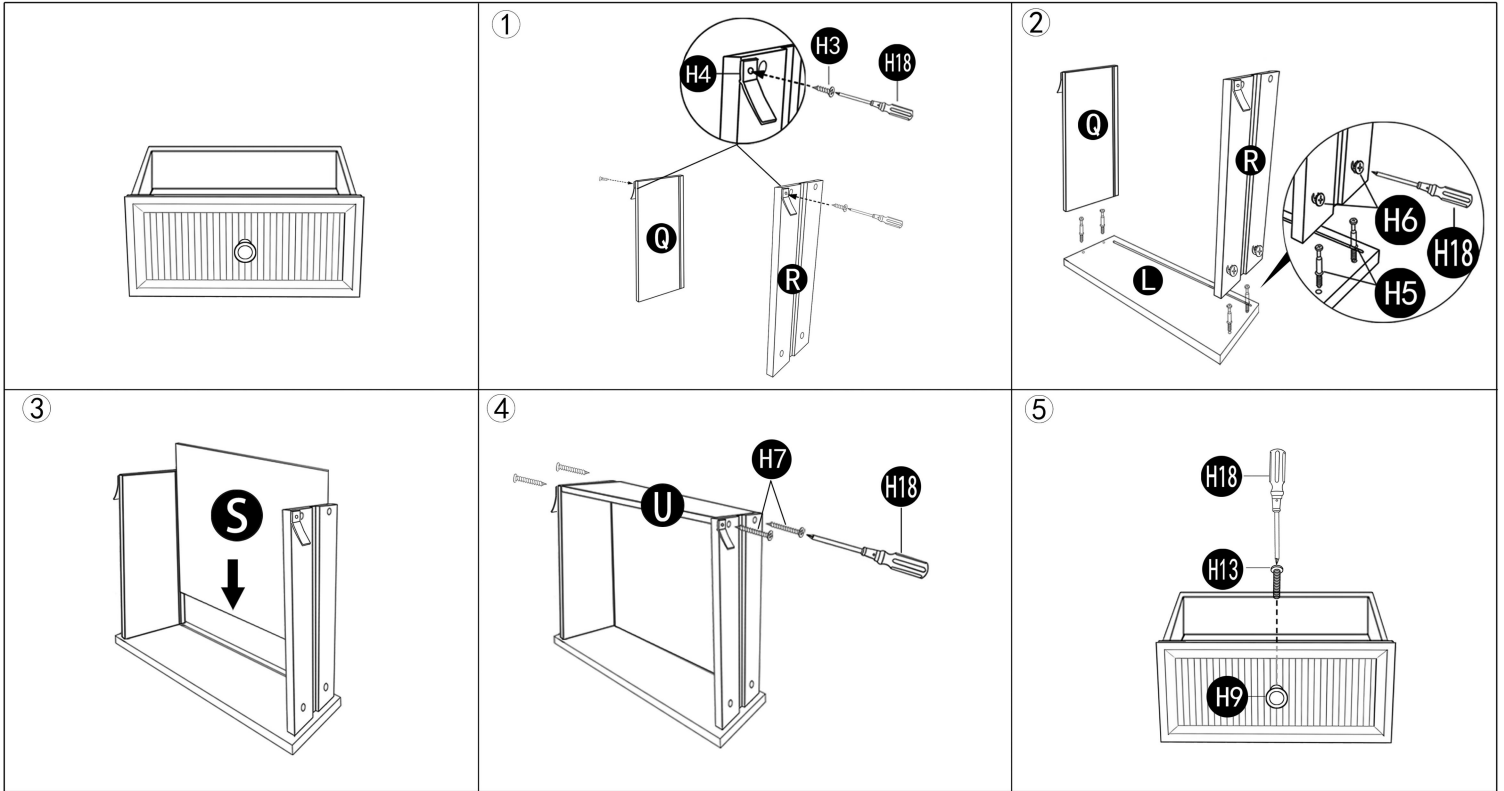


Step 6: Attach the door knob (H8) to door using screw (H12) and tighten with the spanner (H18).

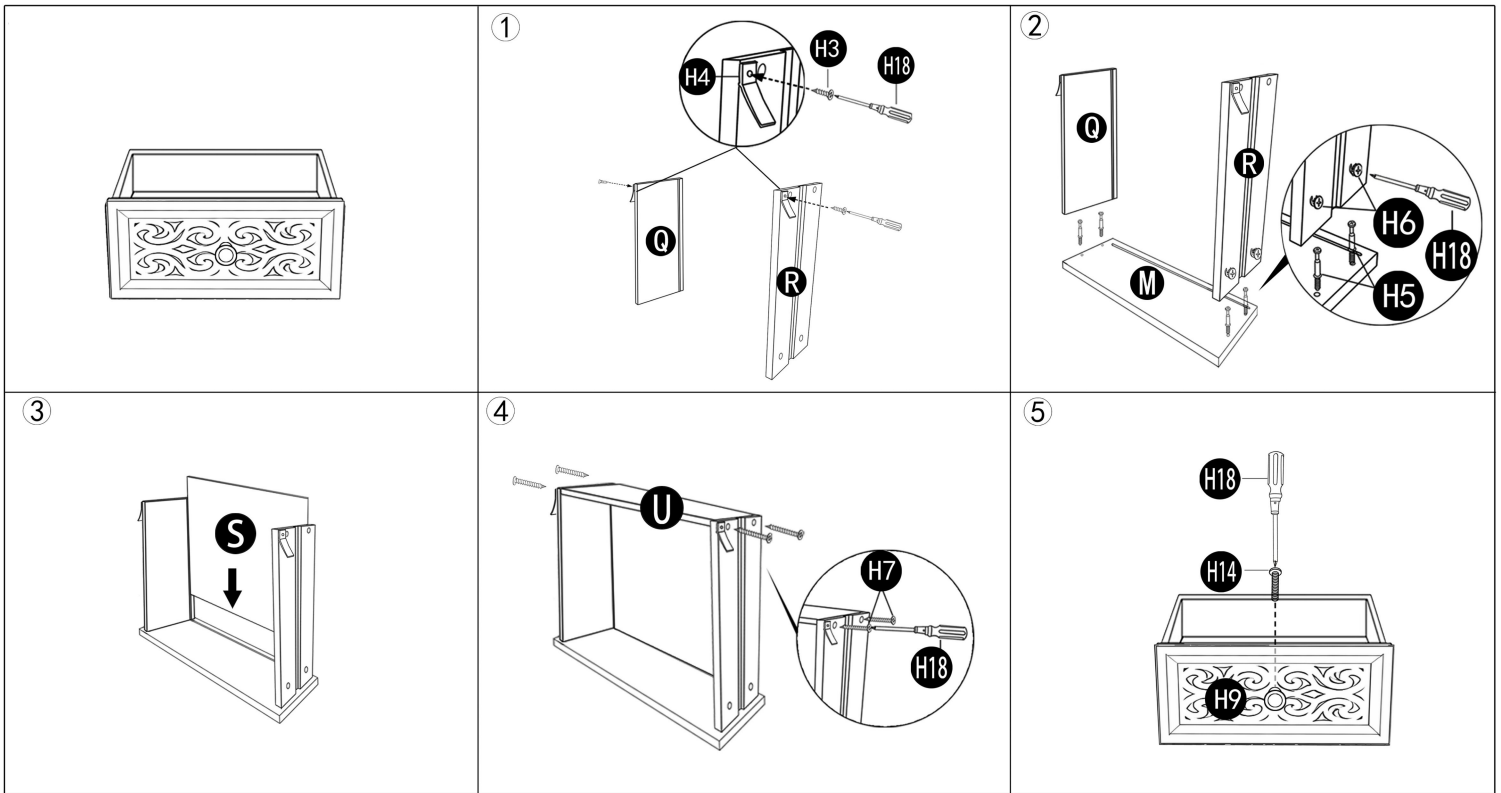
Insert the bottom door pin (H16) into the hole on the cabinet first, then press down the top door pin (H16) to secure the door in place.



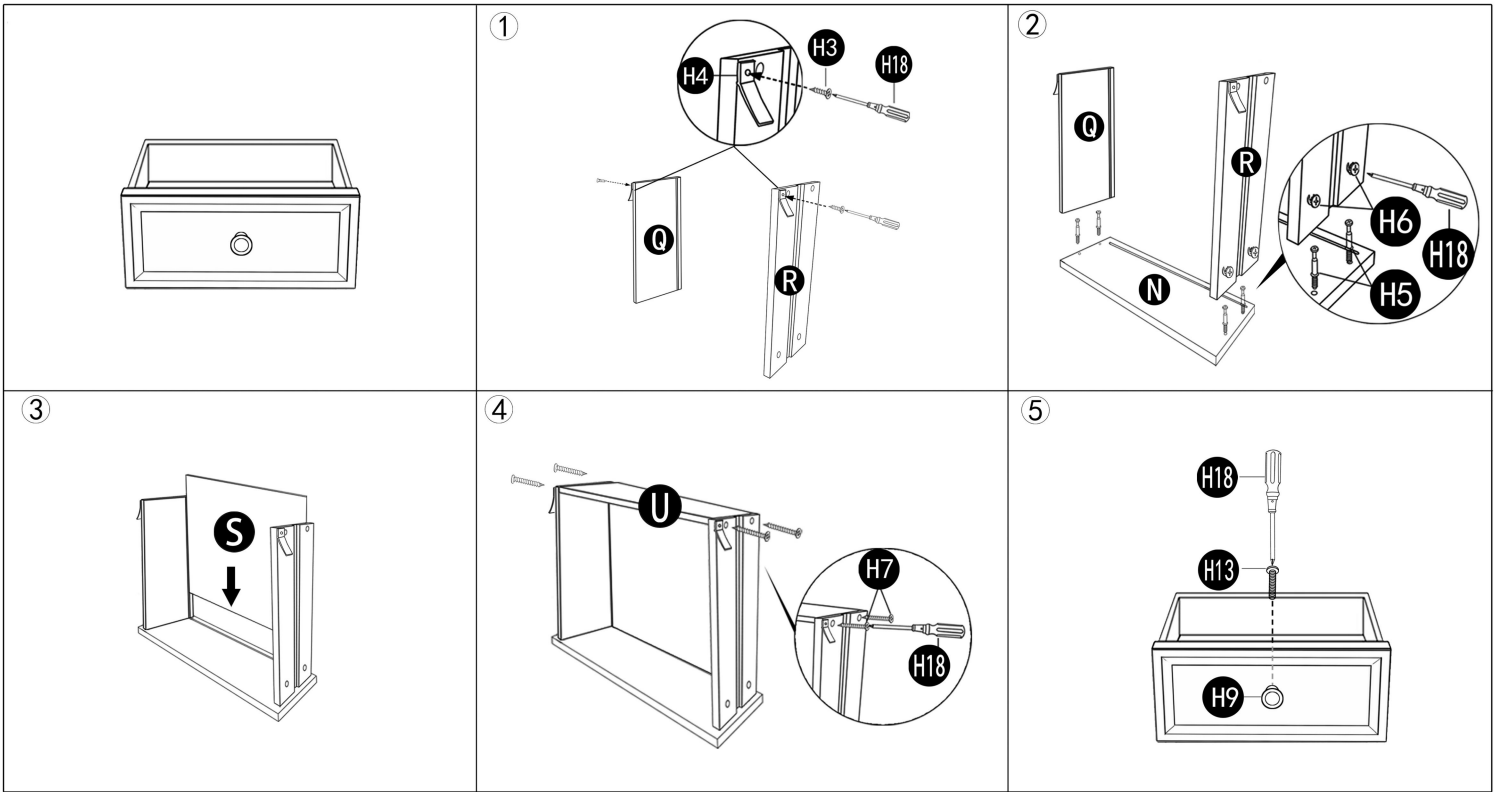
Step 7: Put the Top drawer's panel (**L/Q/R/S/U**) on a soft surface to protect the finish.



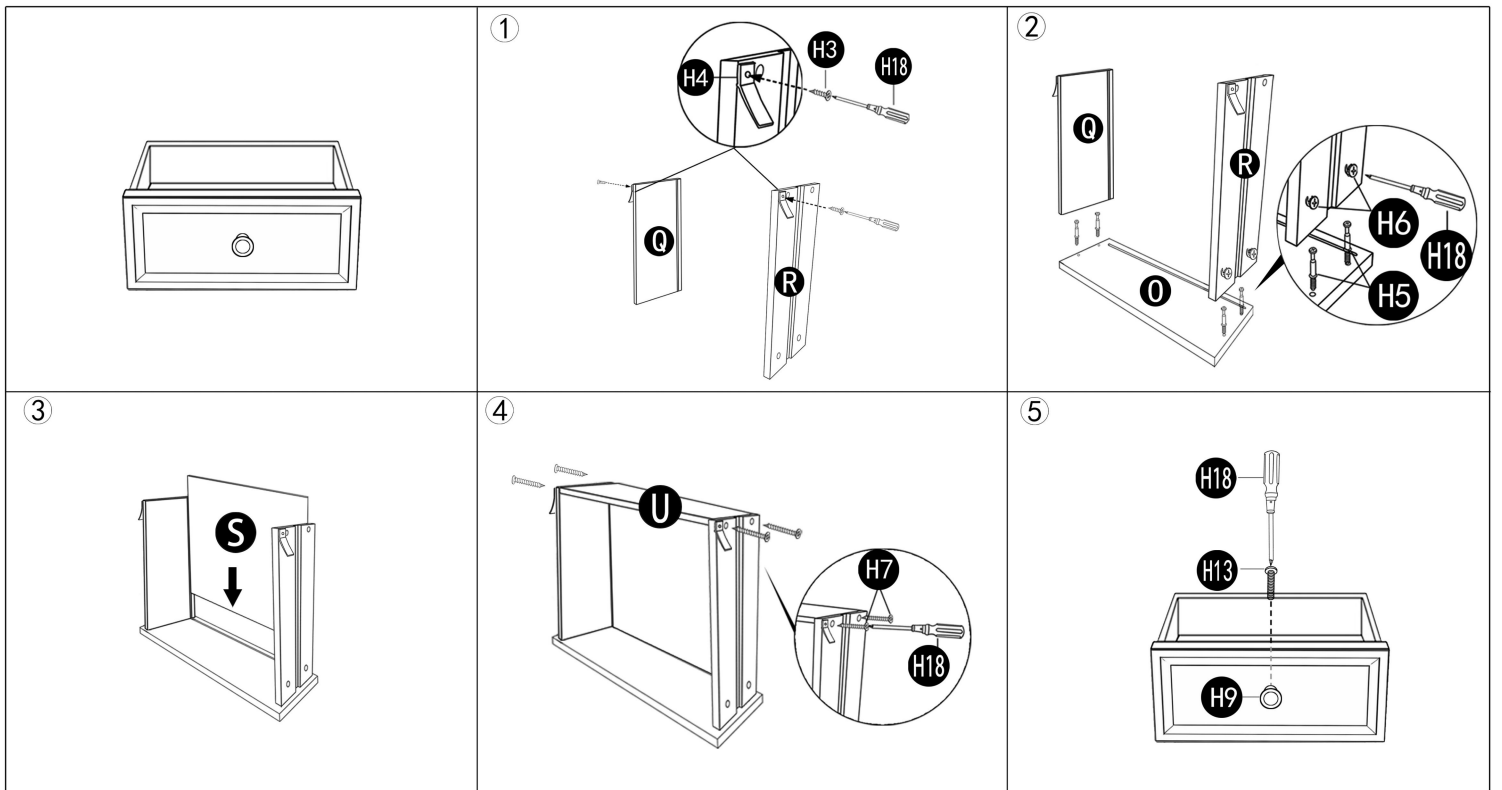
Step 8: Put the Top drawer's panel (**M/Q/R/S/U**) on a soft surface to protect the finish.



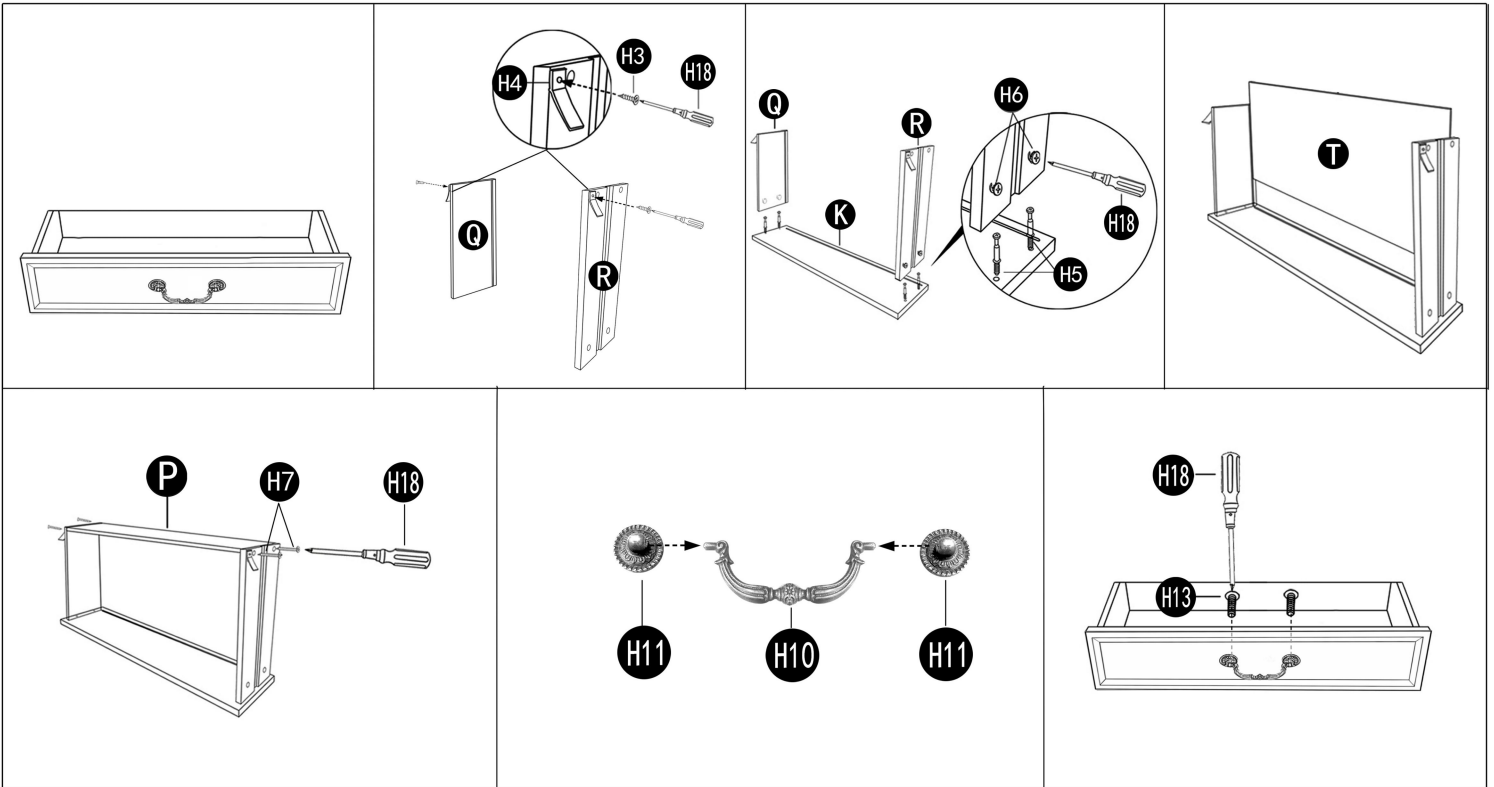
Step 9: Put the Top drawer's panel (N/Q/R/S/U) on a soft surface to protect the finish.



Step 10: Put the Second drawer's panel (O/Q/R/S/U) on a soft surface to protect the finish.



Step 11: Put the Second drawer's panel (K/Q/R/T/P) on a soft surface to protect the finish.



Place all drawers to the main Body. Assembly finished.