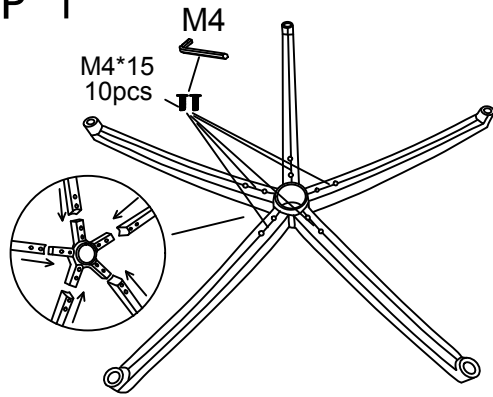


Assembly Instructions

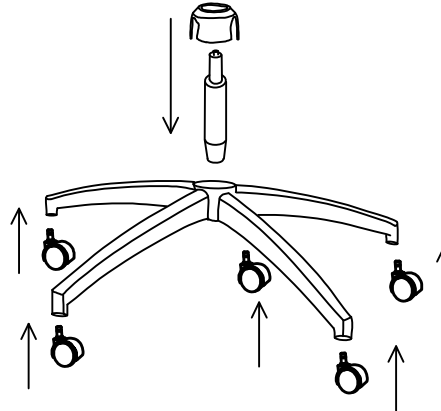
Model : 1909

STEP 1



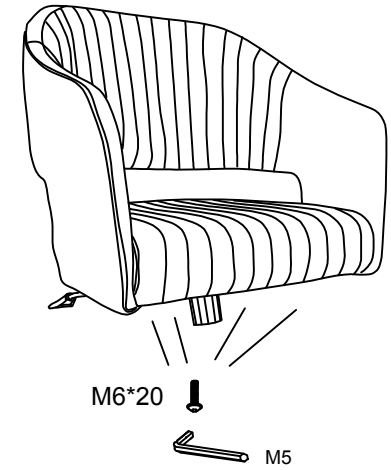
Insert the five legs to the leg core then assemble them with M4*15 screws

STEP 2

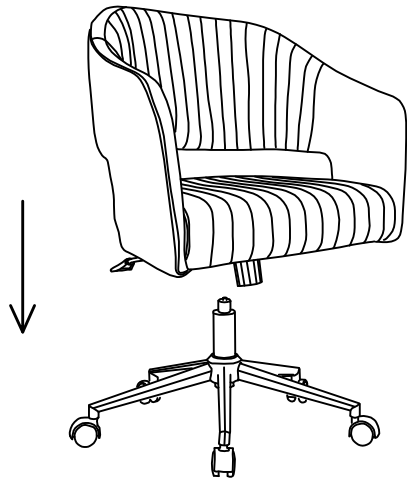


Assemble the wheels, leg cover and gaslift.

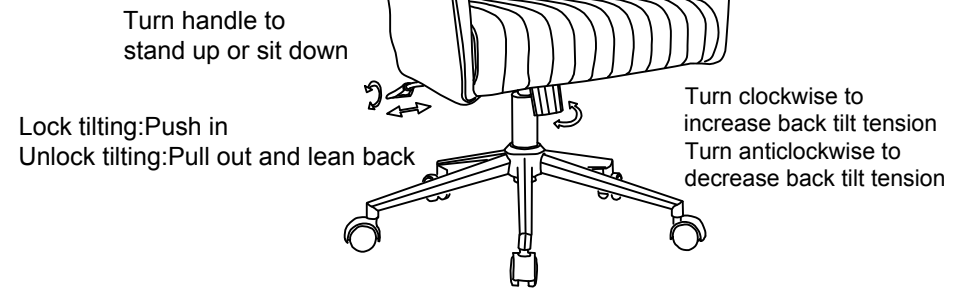
STEP 3

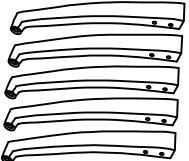
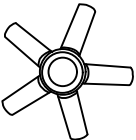

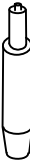

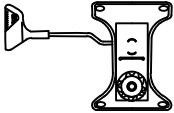
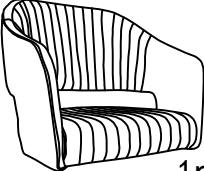




STEP 4



STEP 5



A	B	C	D	E	F	G	H	I
 5pcs	 1pcs	 1pcs	 1pcs	 5pcs	 1pcs	 1pcs	 M4*15 M5	 M6*20 M5