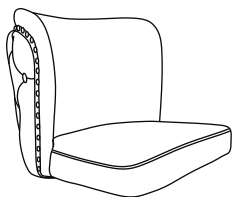


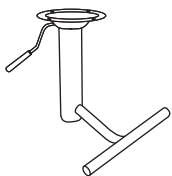
A\*1



E\*1



B\*1



F\*4



C\*1

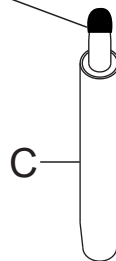
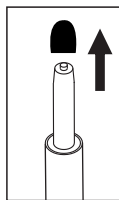


G\*1

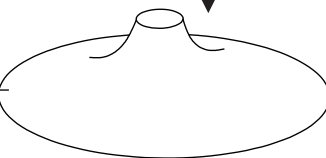


1

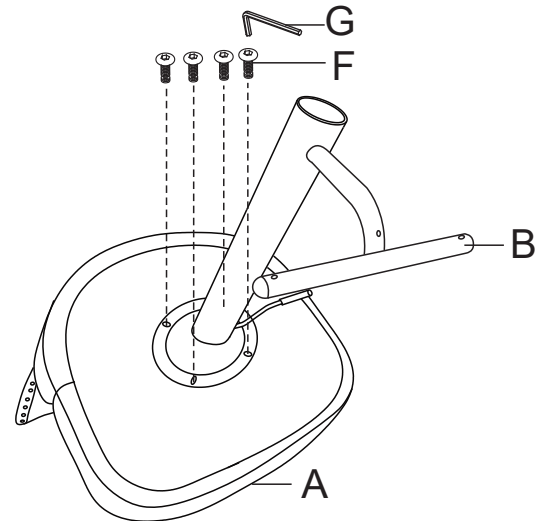
Remove the cover



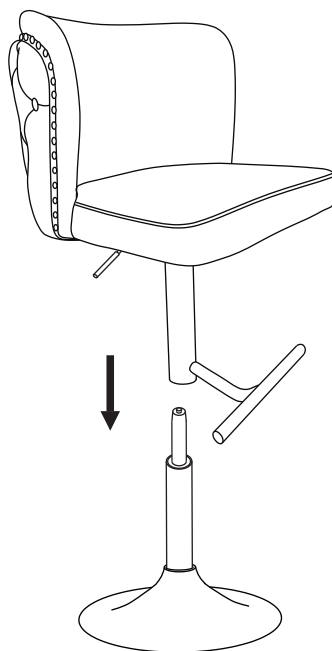
E



2



3



4

