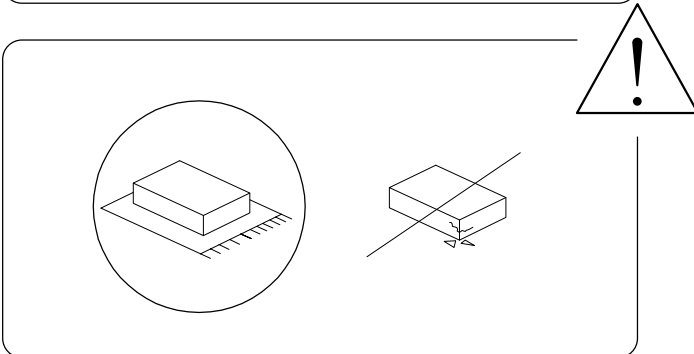
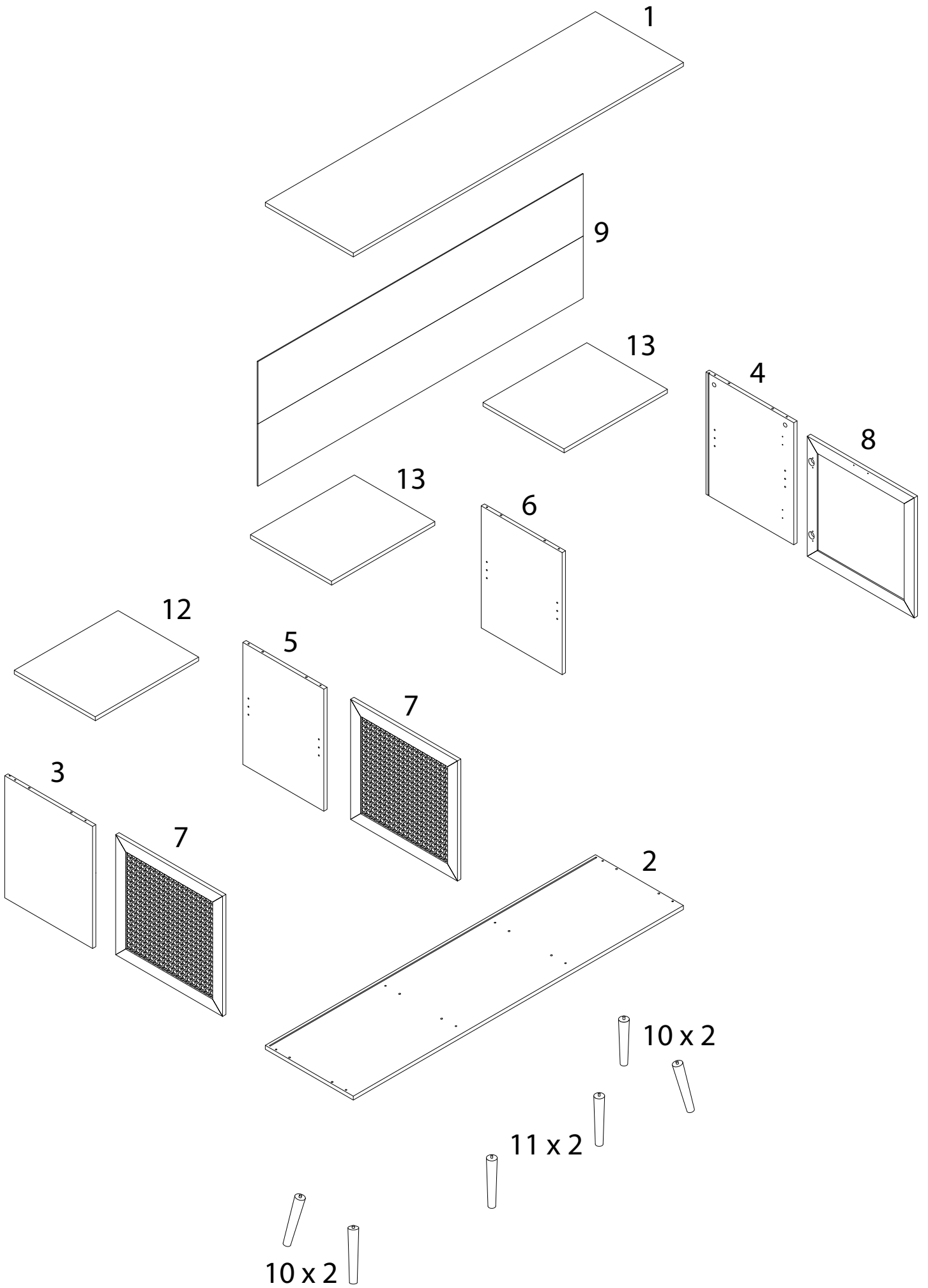


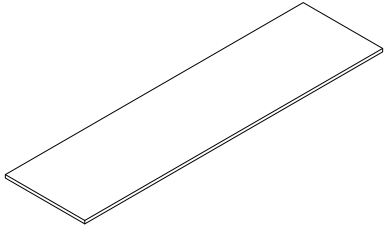
60'



2

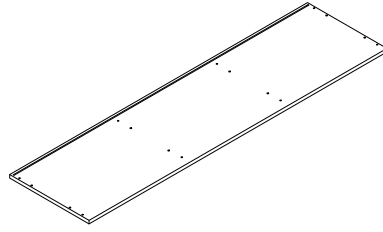


1



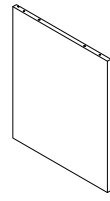
x 1

2



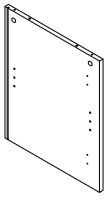
x 1

3



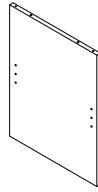
x 1

4



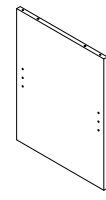
x 1

5



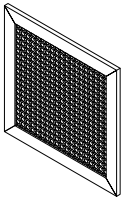
x 1

6



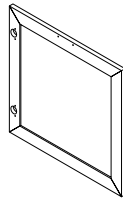
x 1

7



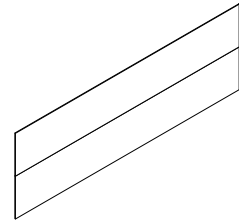
x 2

8



x 1

9



x 1

10



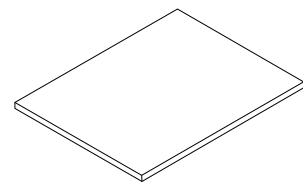
x 4

11



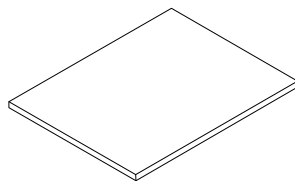
x 2

12



x 1

13



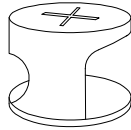
x 2

A



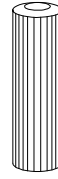
x 8

B



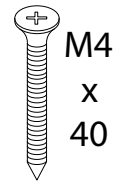
x 8

C



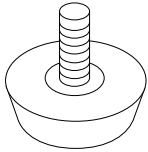
x 16

D



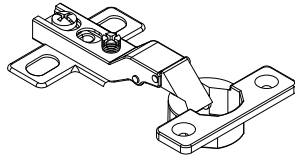
x 10

E



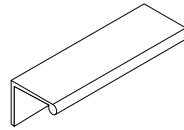
x 2

F



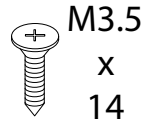
x 6

G



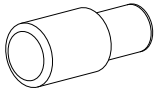
x 3

H



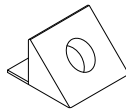
x 44

I



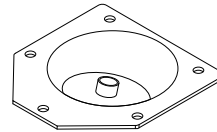
x 12

J



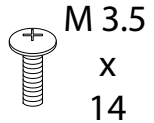
x 12

K



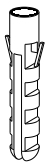
x 4

L



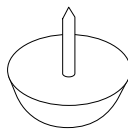
x 20

M



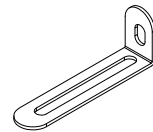
x 2

N



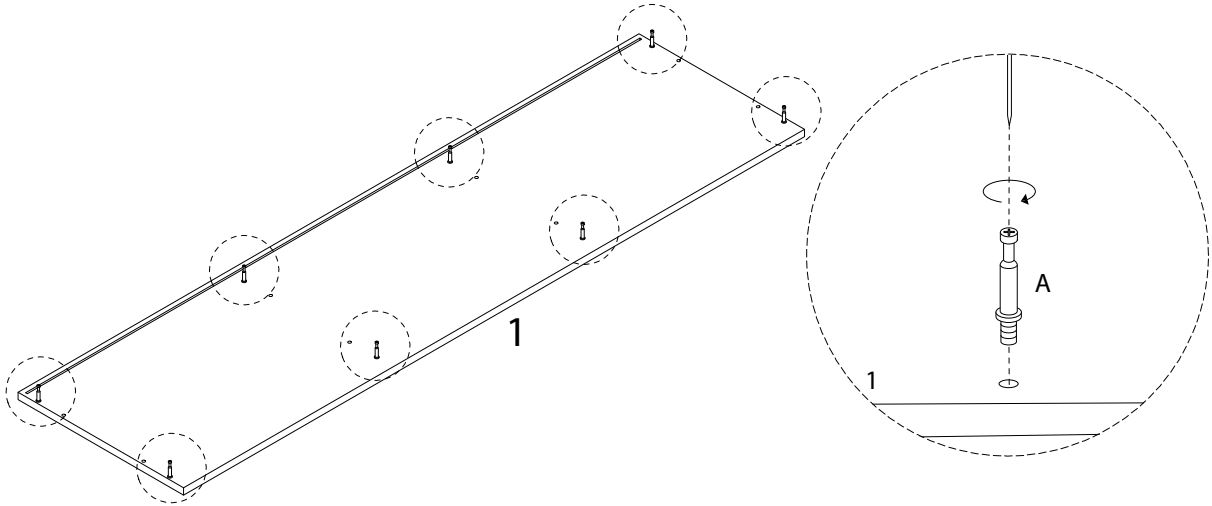
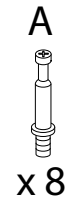
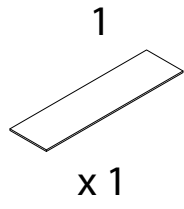
x 4

O

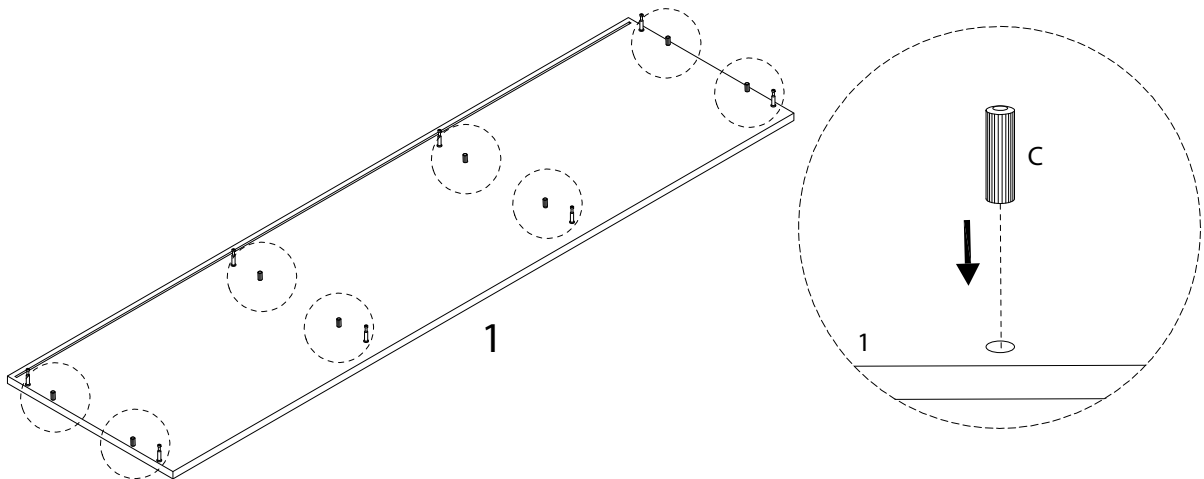
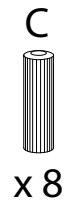


x 2

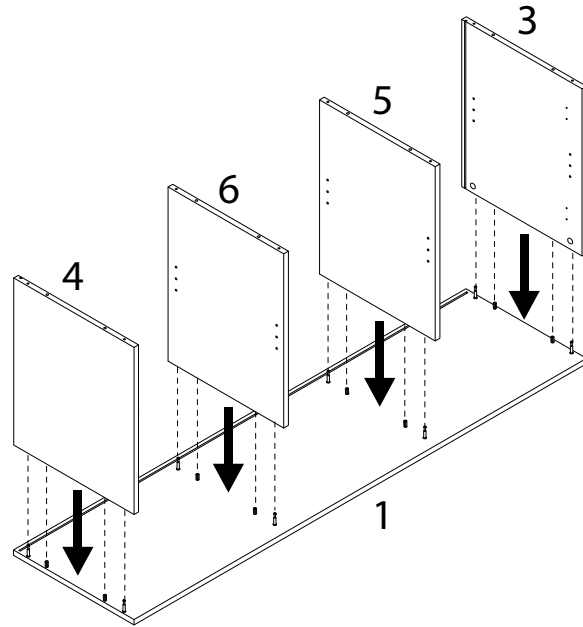
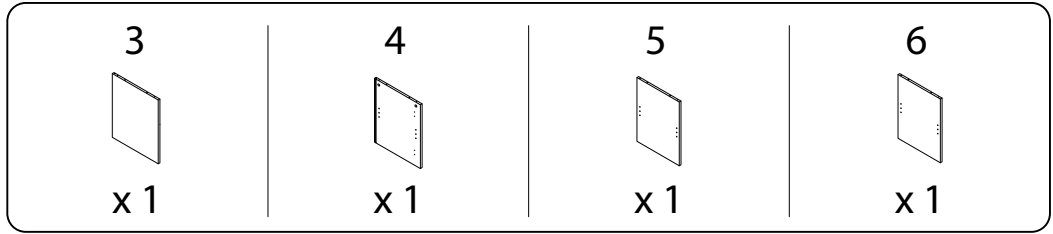
1



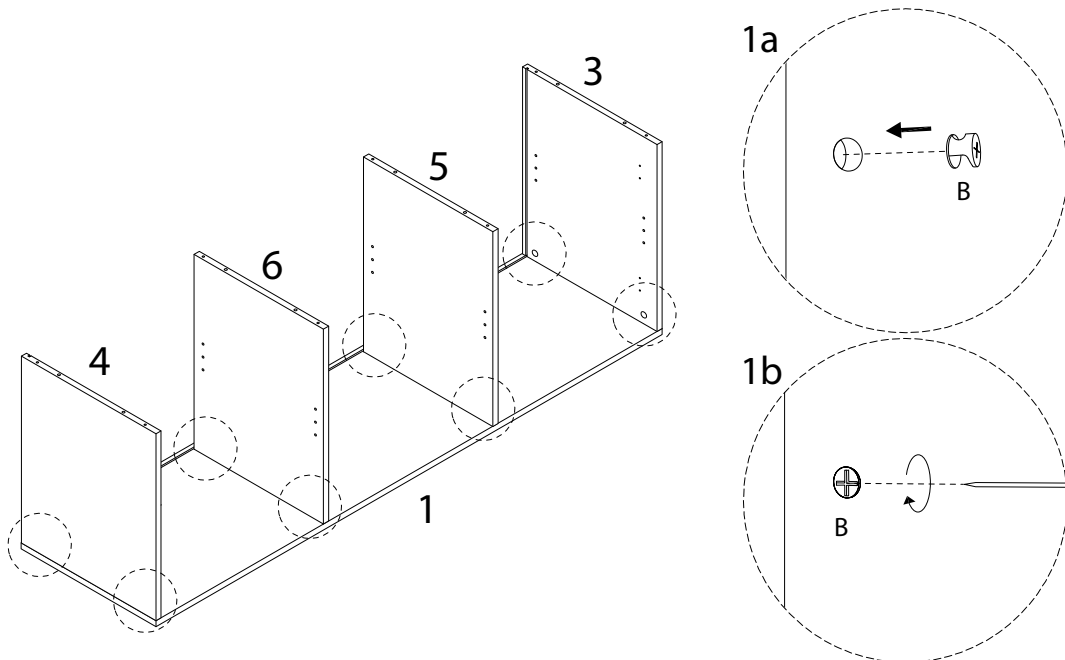
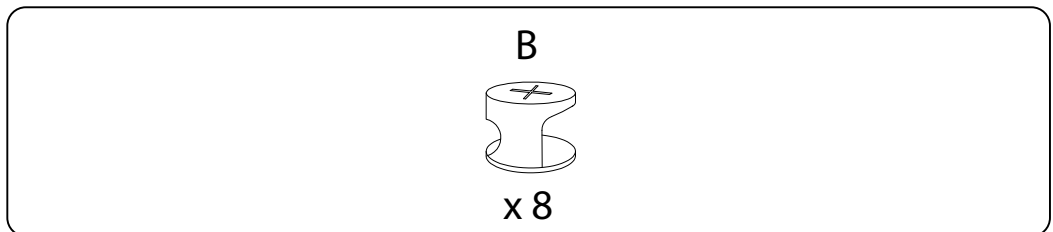
2



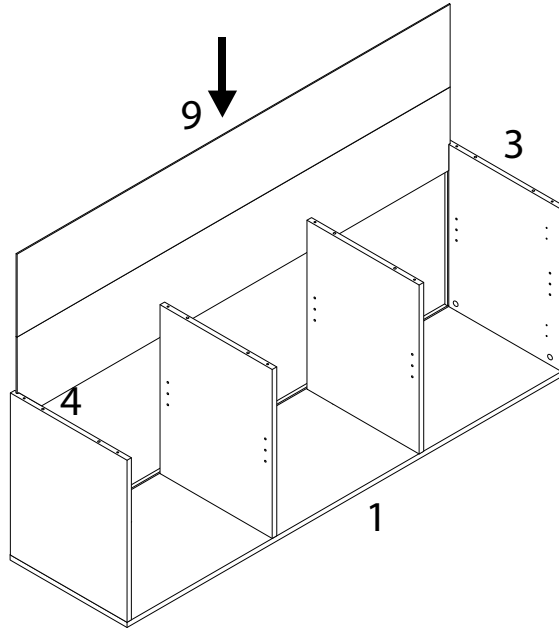
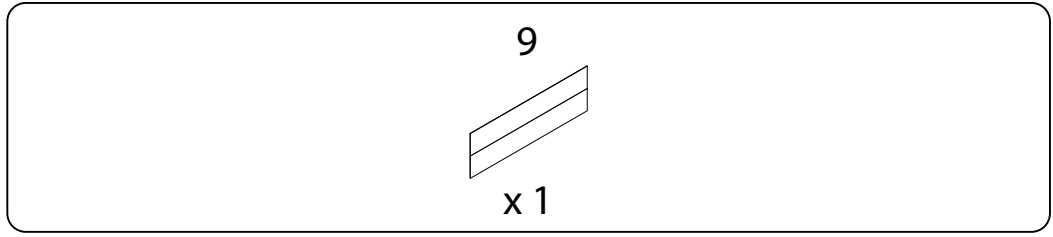
3



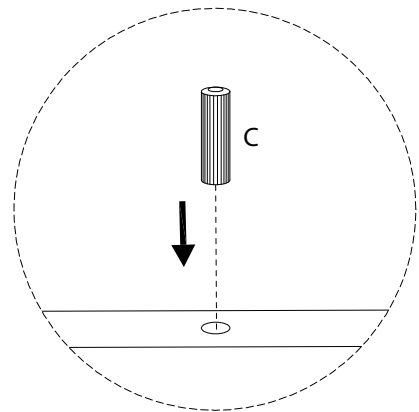
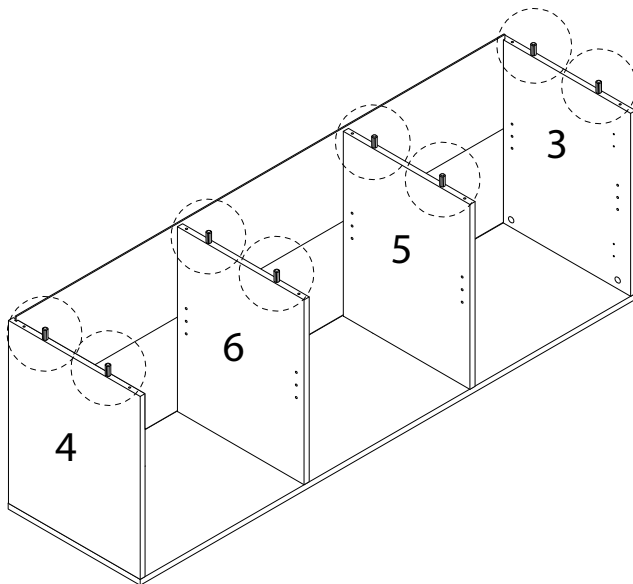
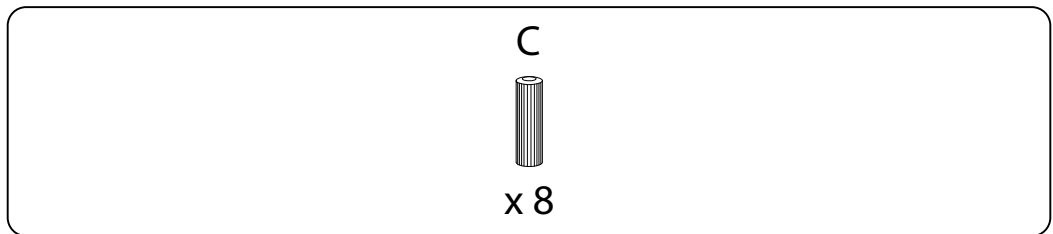
4



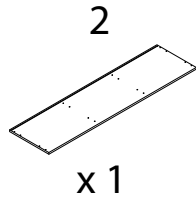
5



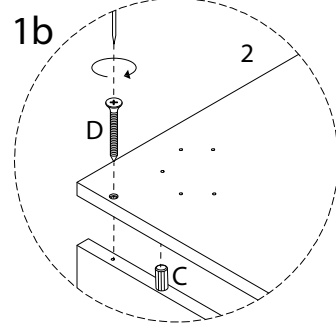
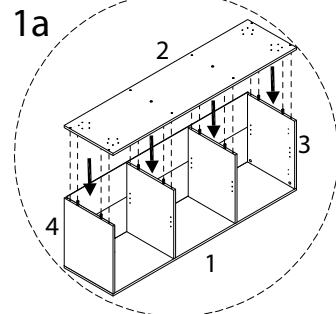
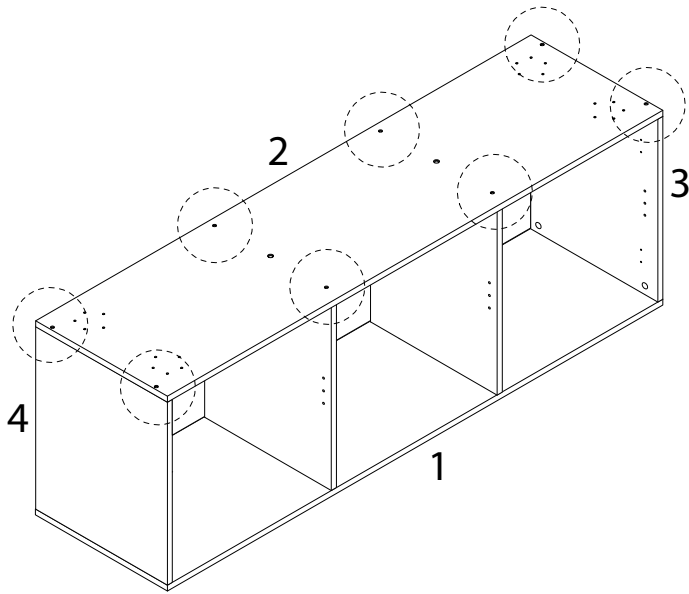
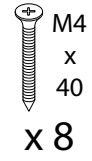
6



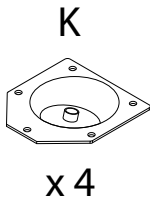
7



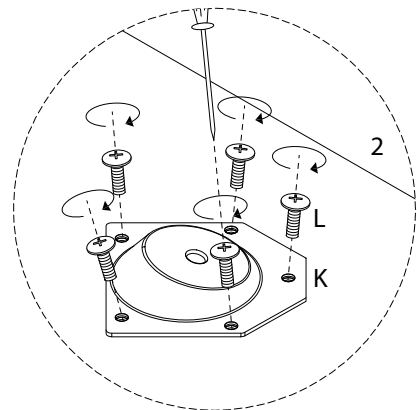
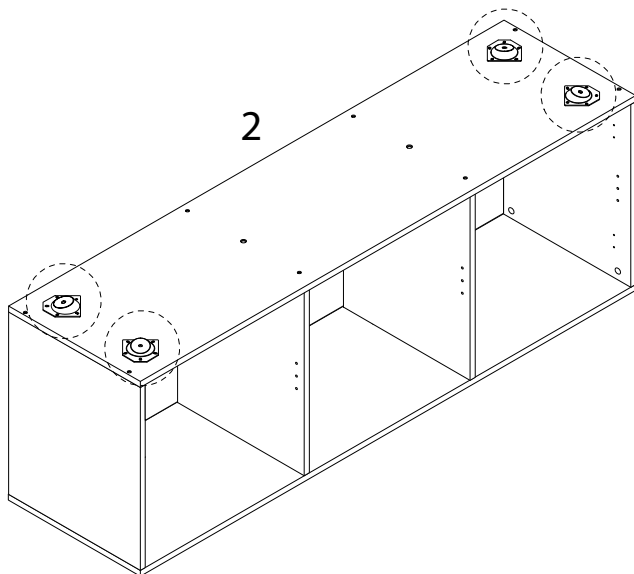
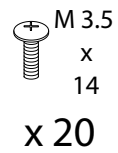
D



8



L



9

10

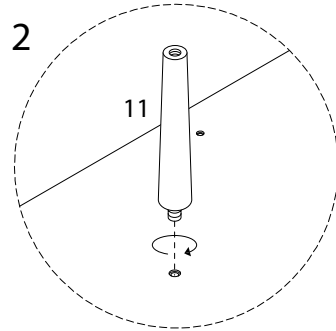
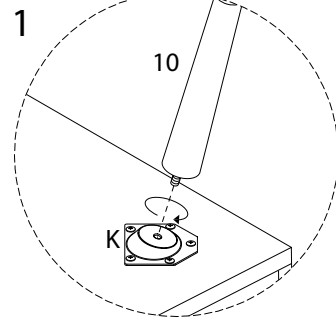
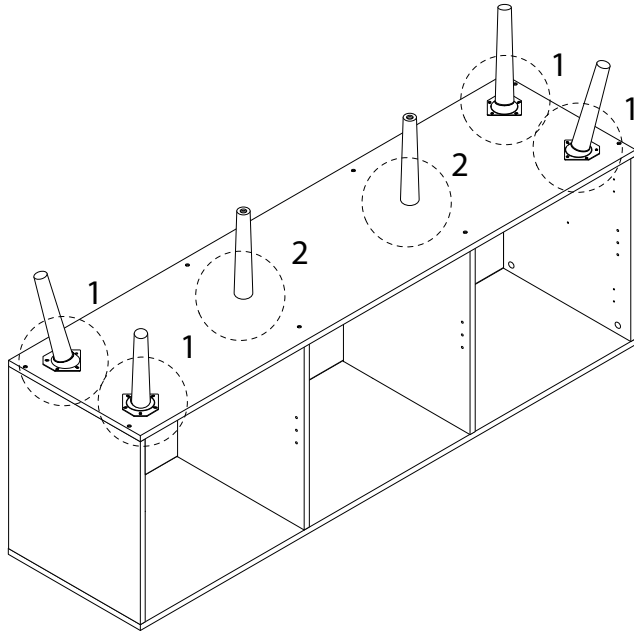


x 4

11

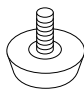


x 2



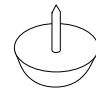
10

E

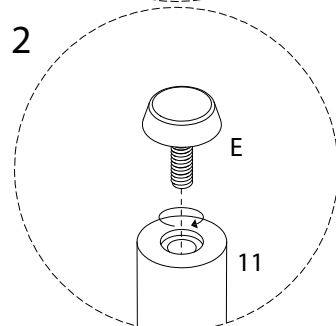
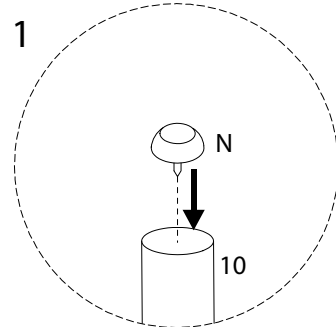
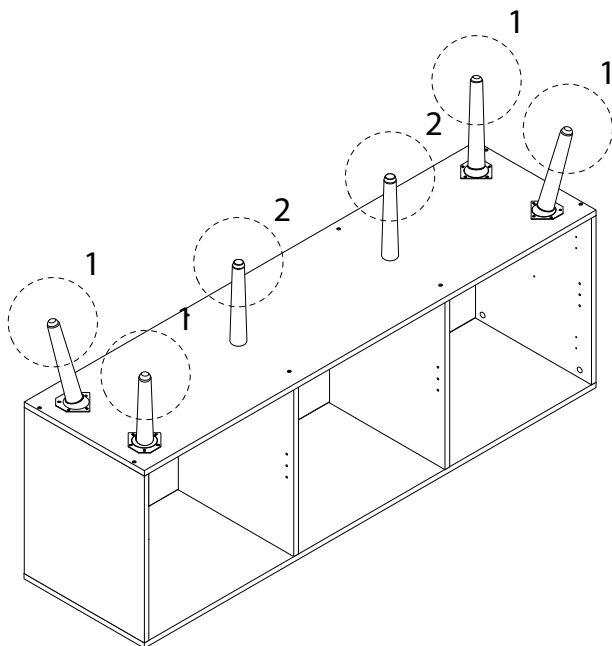


x 2

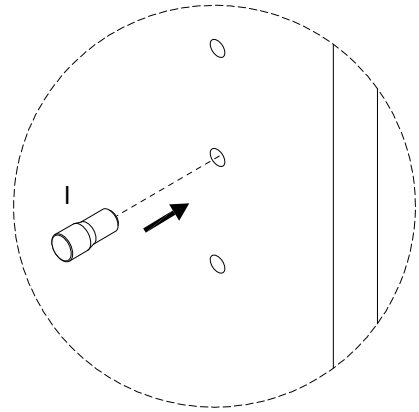
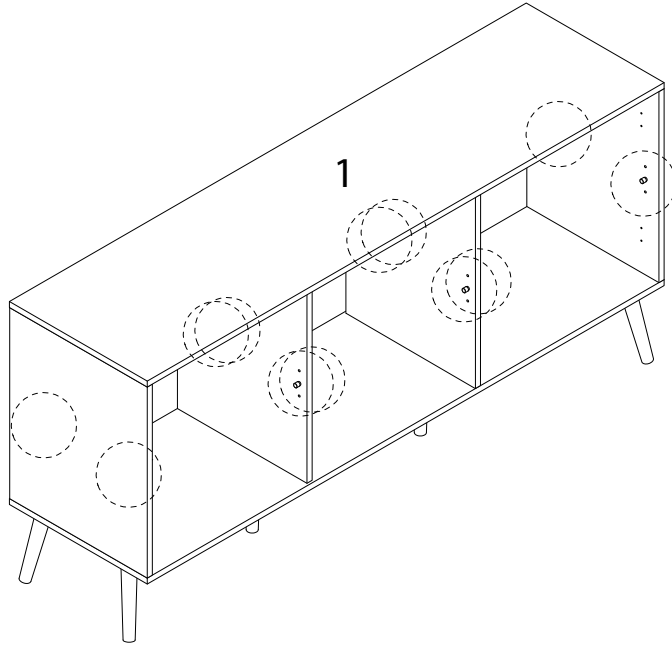
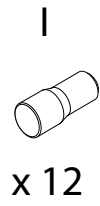
N



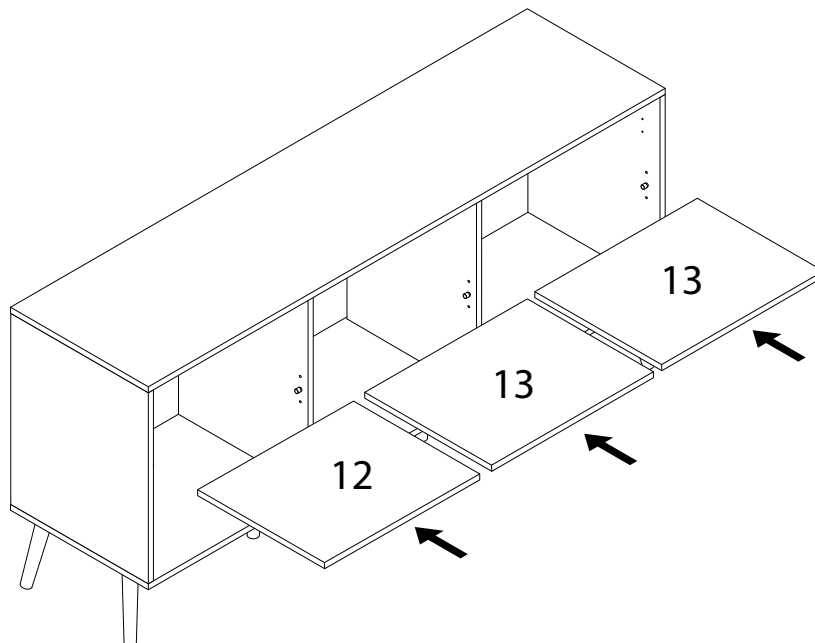
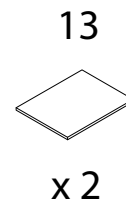
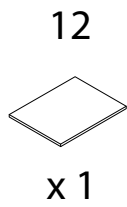
x 4



11

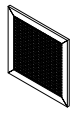


12



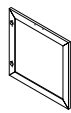
13

7



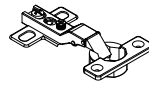
x 2

8



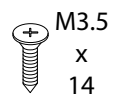
x 1

F

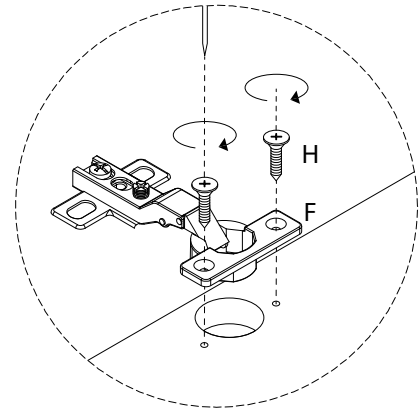
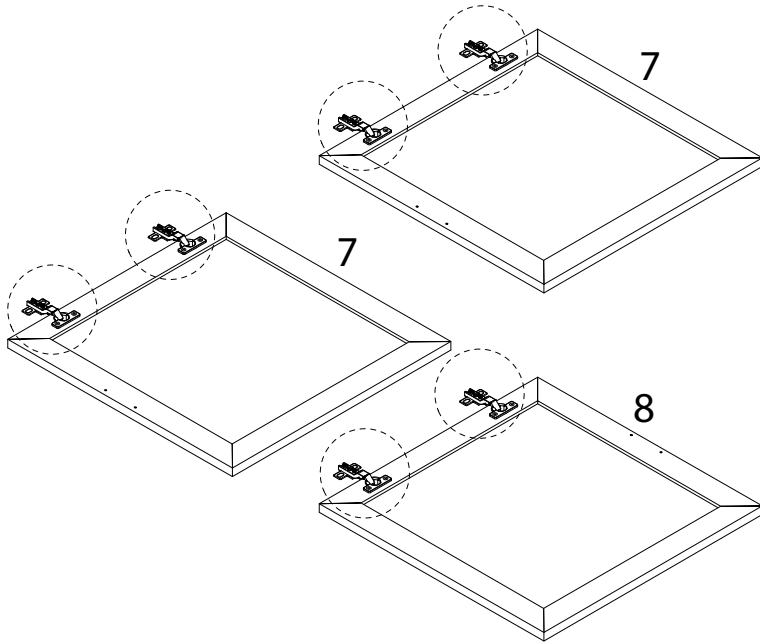


x 6

H

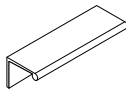


M3.5
x
14
x 12



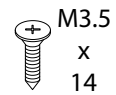
14

G

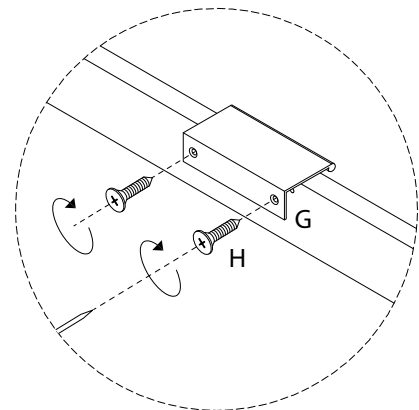
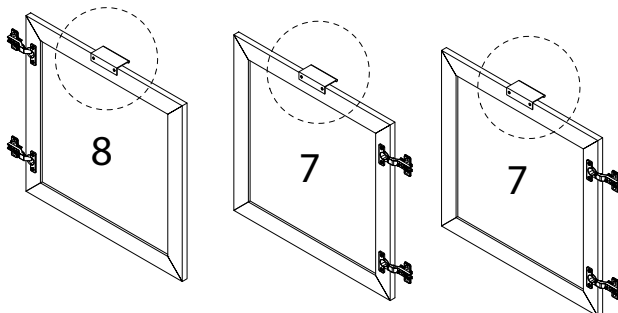


x 3

H

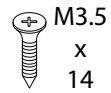


M3.5
x
14
x 6

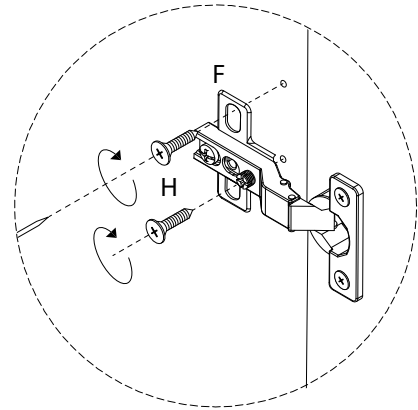
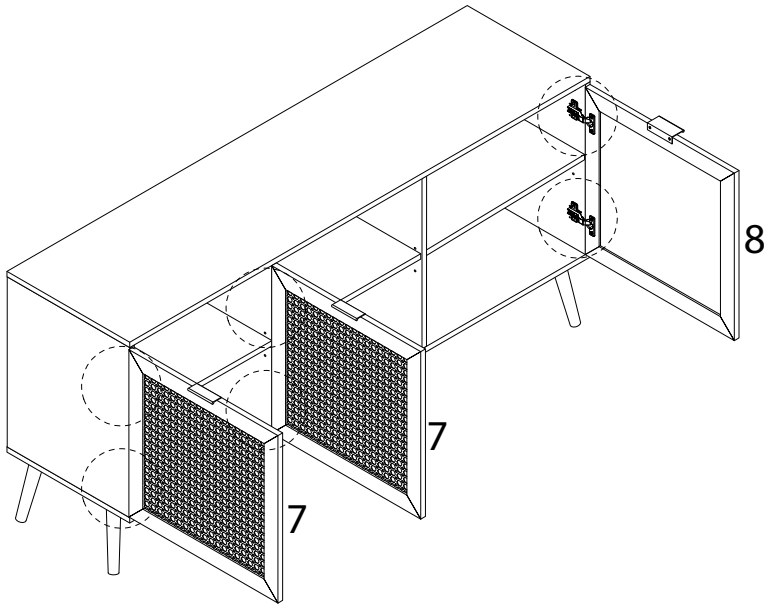


15

H



x 12



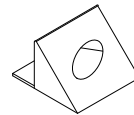
16

H

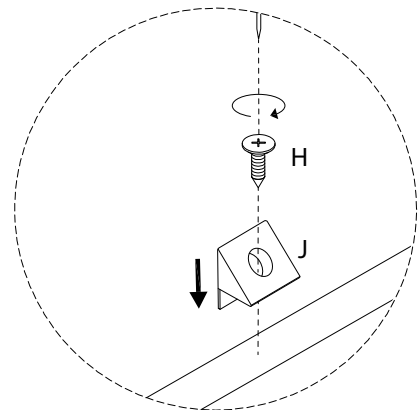
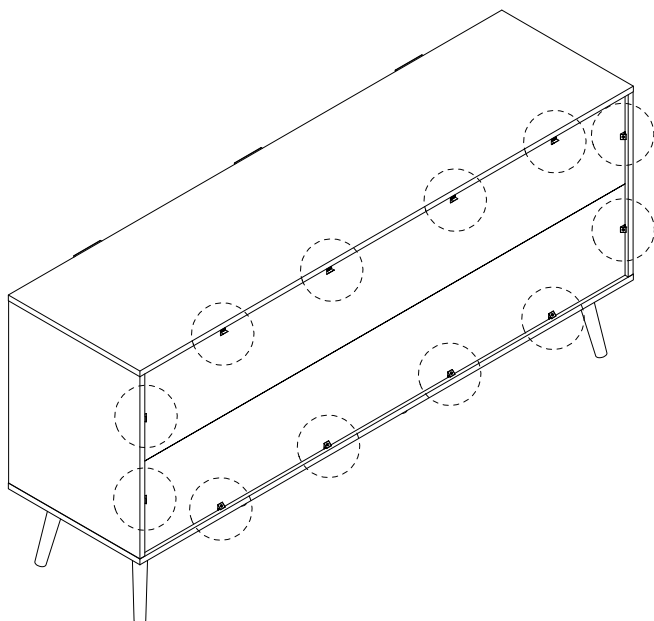


x 12

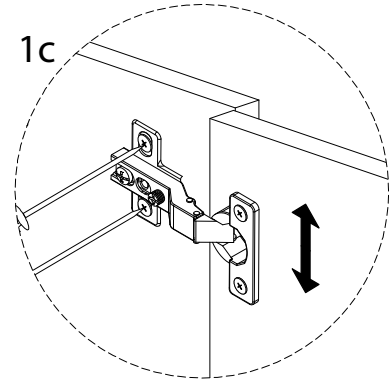
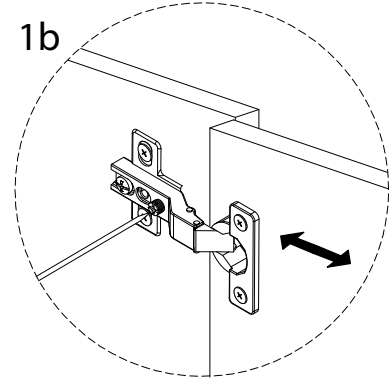
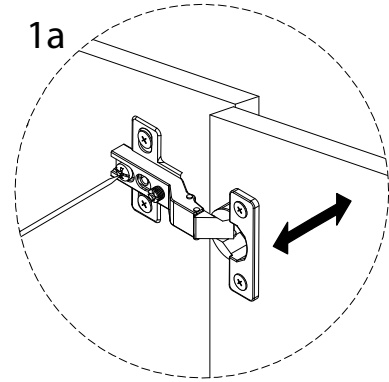
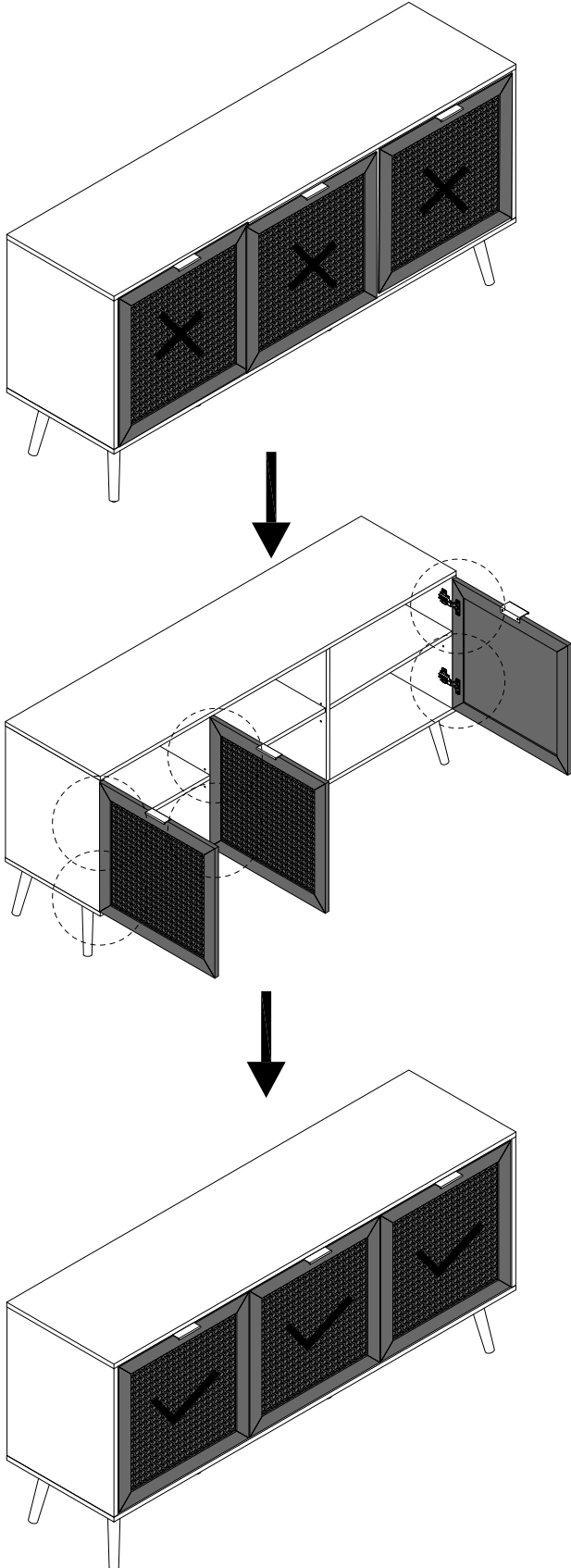
J



x 12



!



17

