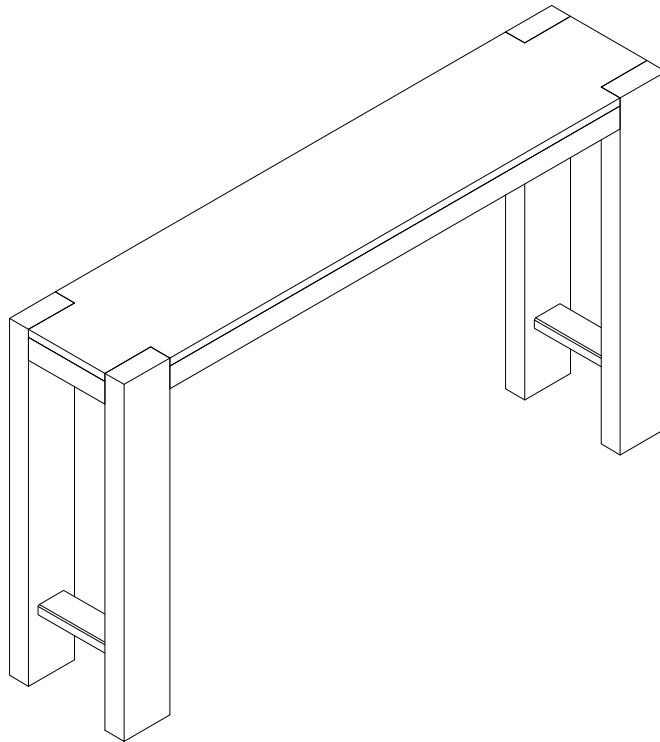


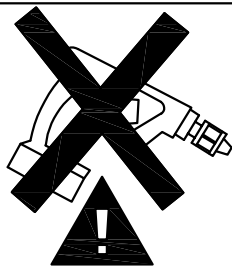
ASSEMBLY INSTRUCTION

Console Table 1420mm

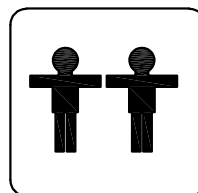


REPLACEMENT PARTS

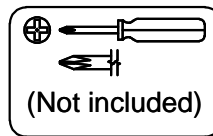
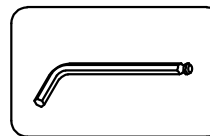
*Please do not contact the company purchased from as we can help you faster.
Order replacement parts and hardware at " www.boltonfurniture.com "*



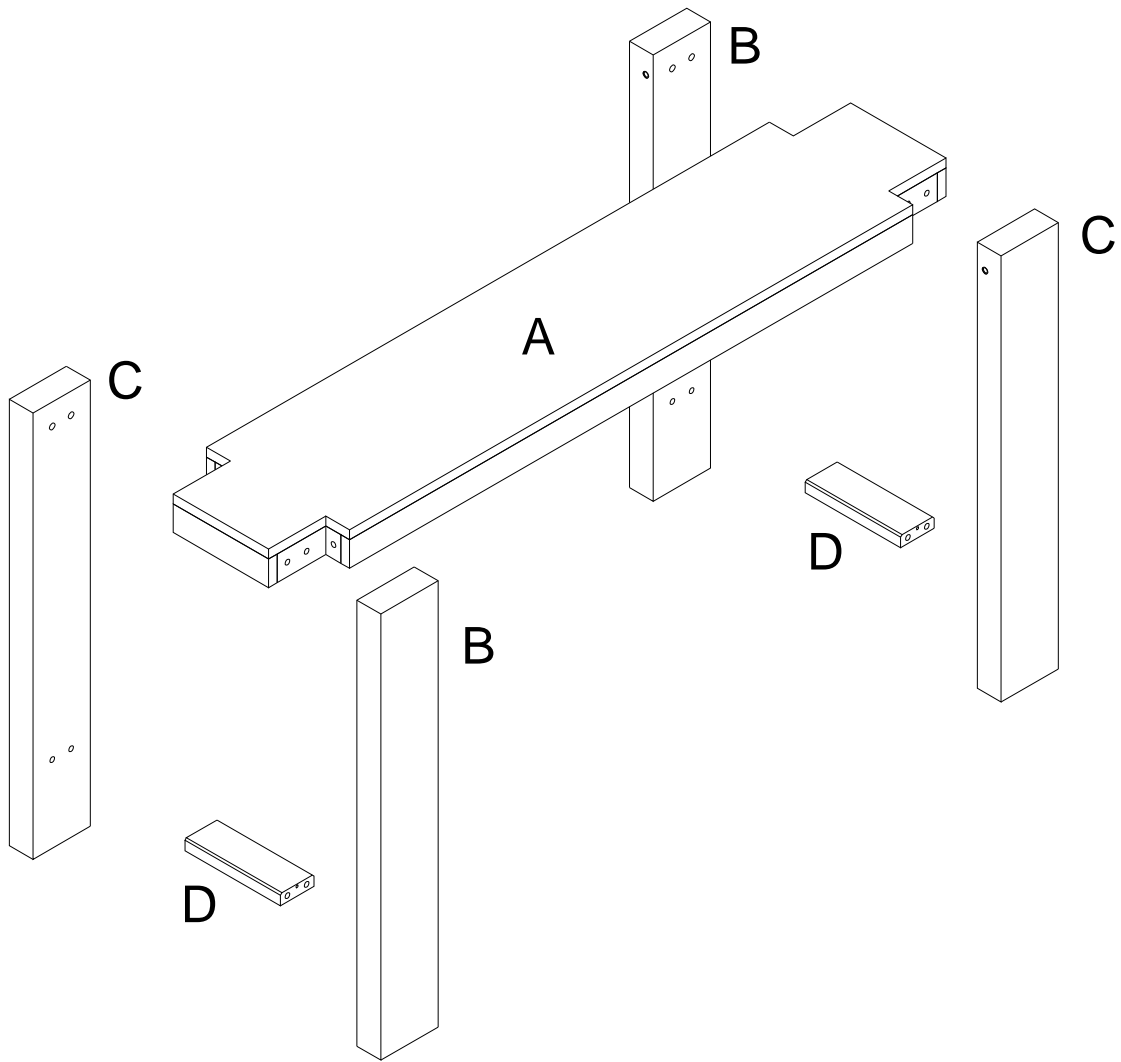
- . Use of power tool to assemble this product will invalidate any claim and damage this product making it unsafe !!!
- . Please assemble on a clean soft surface to avoid damage.



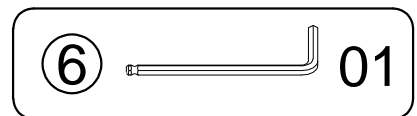
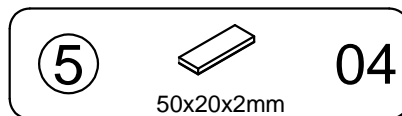
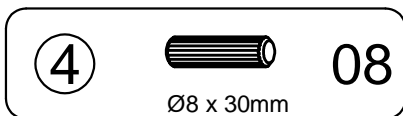
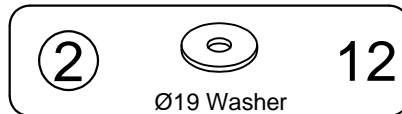
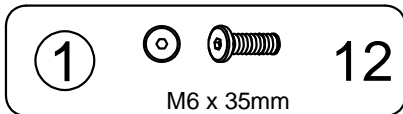
Tools Required




Part list - Console Table 1420mm



Identifying the hardware-Identify the hardware using the illustrations below

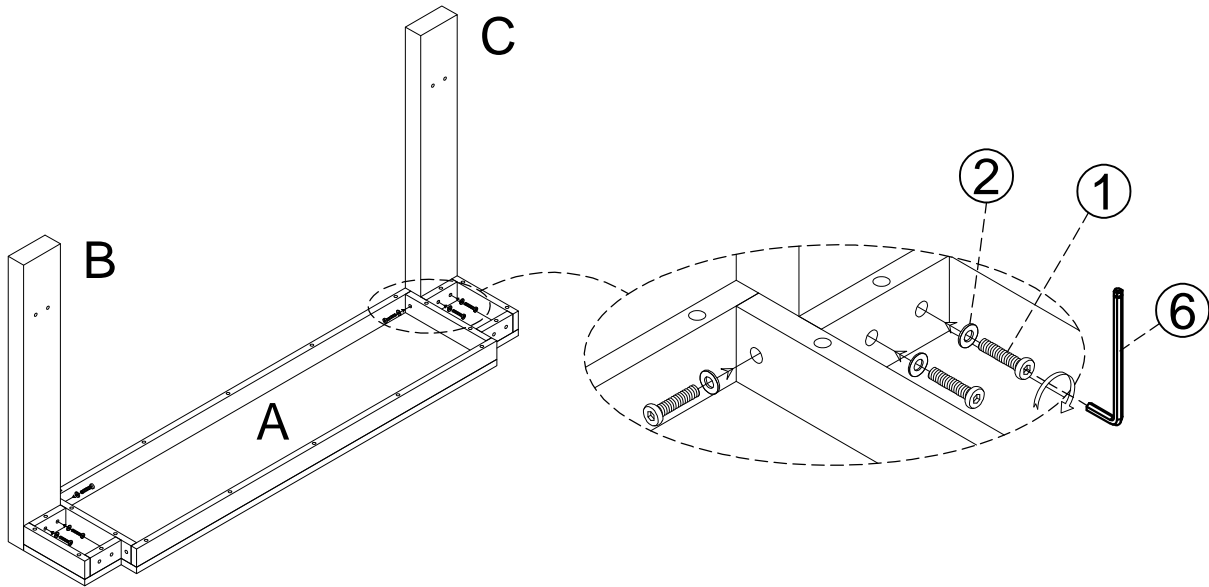


STEP 1


①  06
M6 x 35mm

②  06
Ø19 Washer

⑥  01

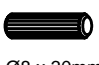


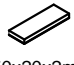
STEP 2

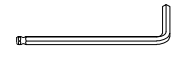
①  06
M6 x 35mm

②  06
Ø19 Washer

③  04
Ø4x40mm

④  08
Ø8 x 30mm

⑤  04
50x20x2mm

⑥  01

