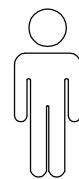
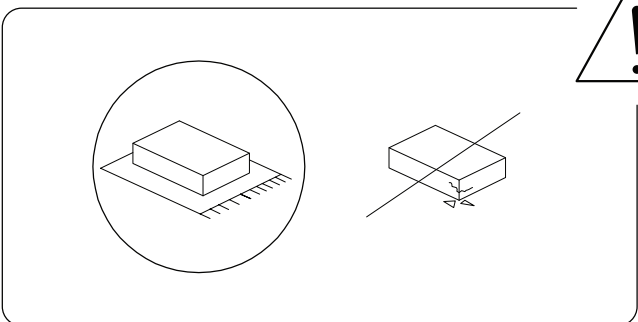
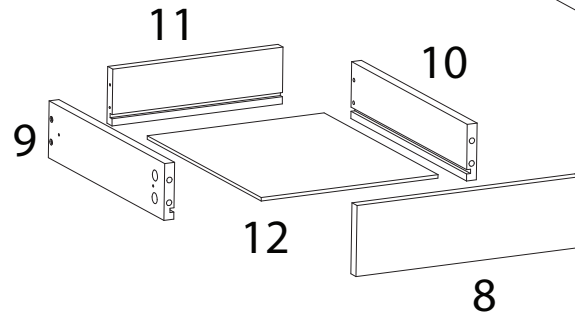
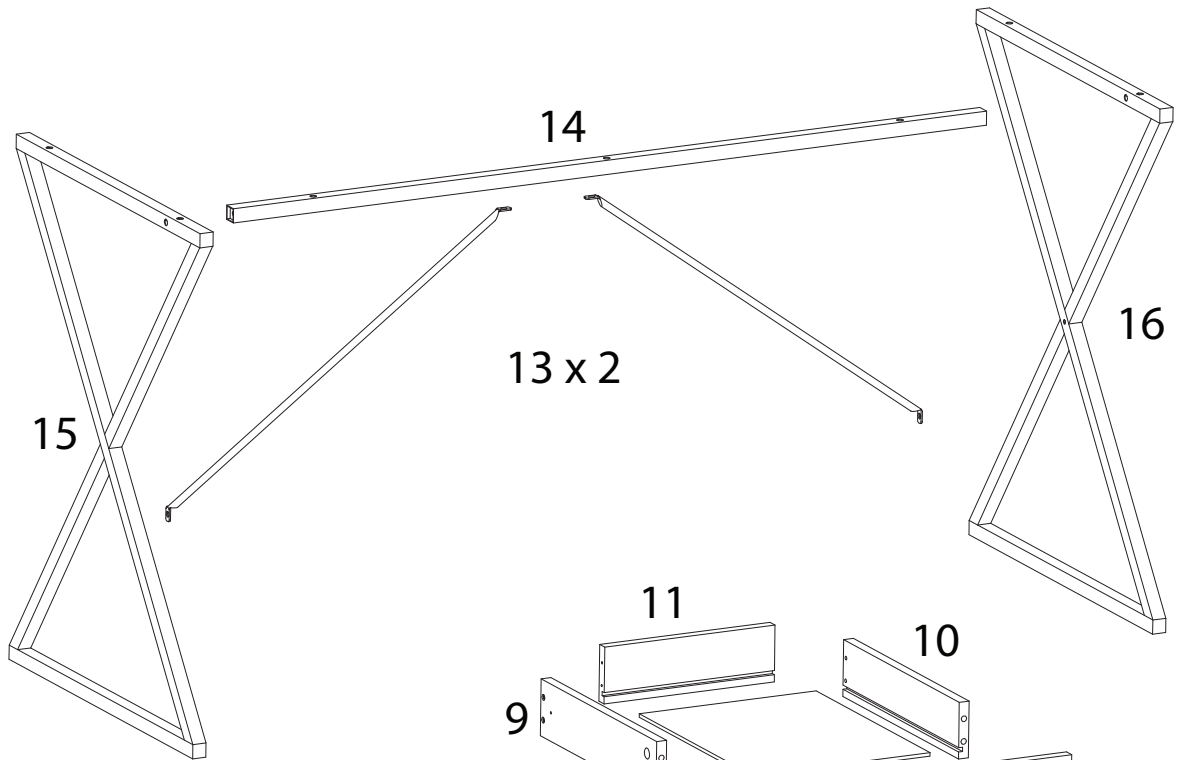
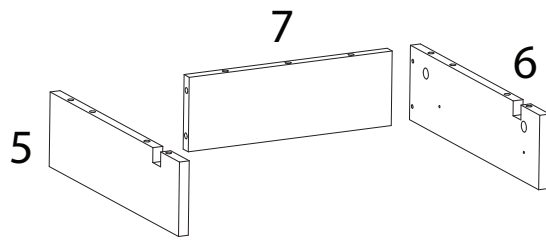
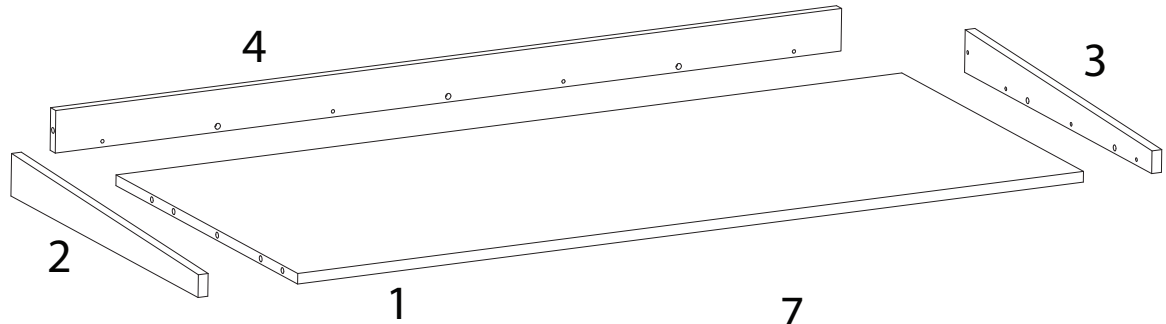


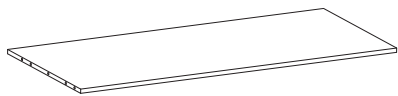
30'



2

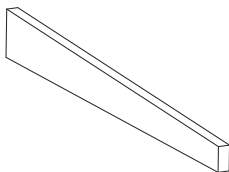


1



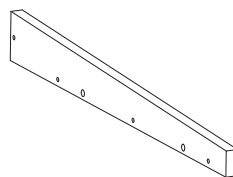
x 1

2



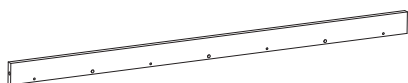
x 1

3



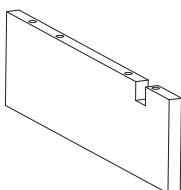
x 1

4



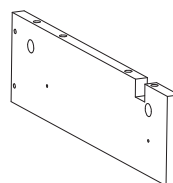
x 1

5



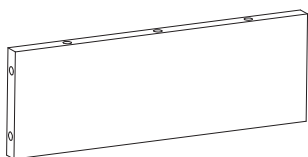
x 1

6



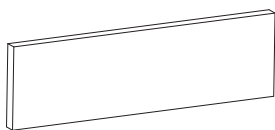
x 1

7



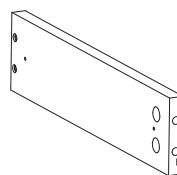
x 1

8



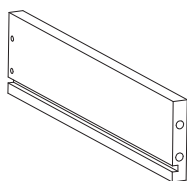
x 1

9



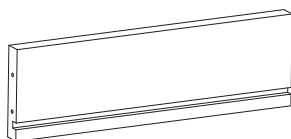
x 1

10



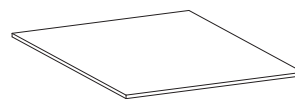
x 1

11



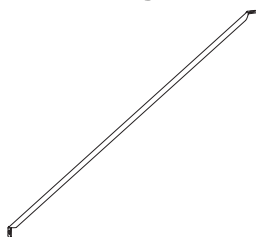
x 1

12



x 1

13



x 2

14



x 1

15



x 1

16



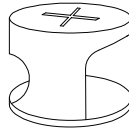
x 1

A



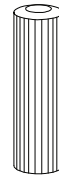
x 26

B



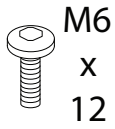
x 26

C



x 12

D



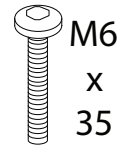
x 4

E



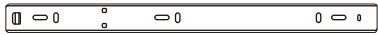
x 7

F



x 2

G



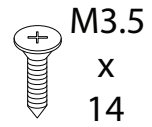
x 2

H



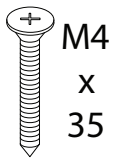
x 2

I



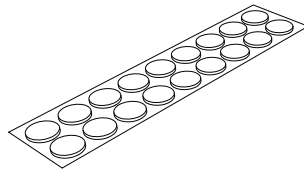
x 8

J



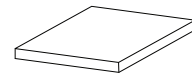
x 4

K



x 4

L



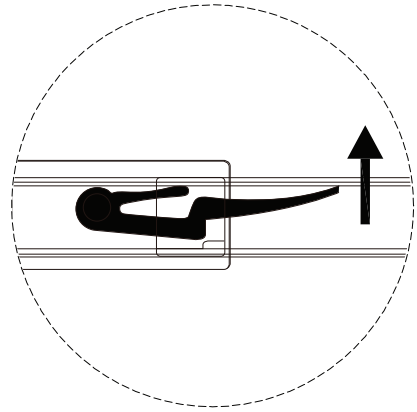
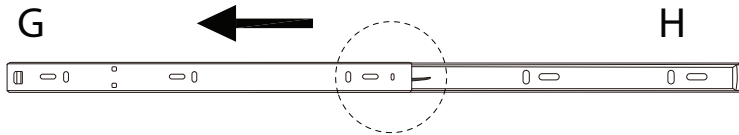
x 4

M

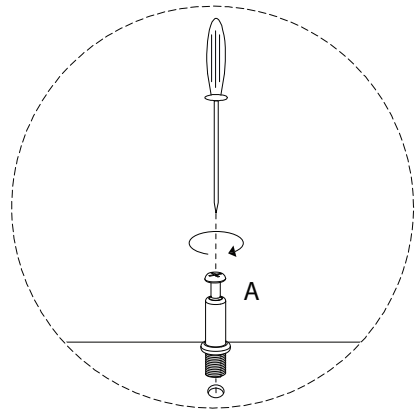
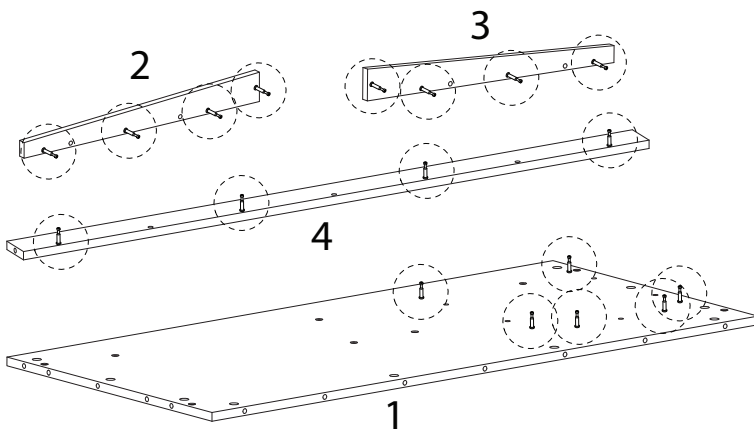
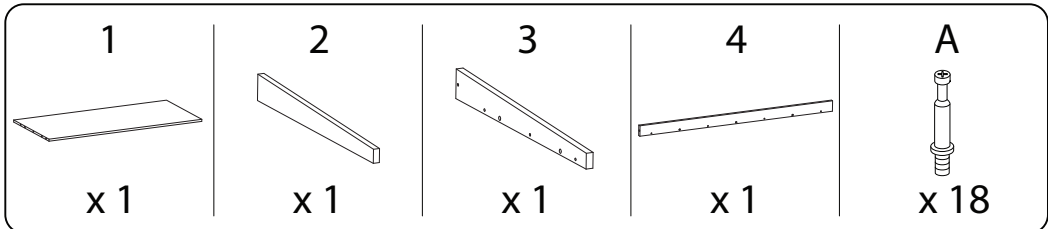


x 1

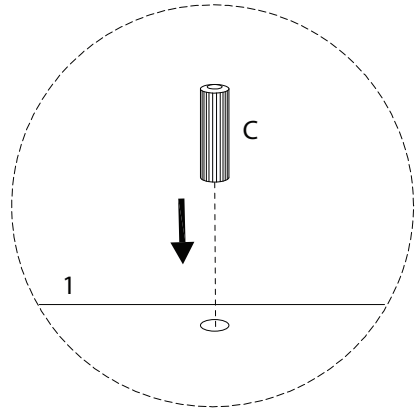
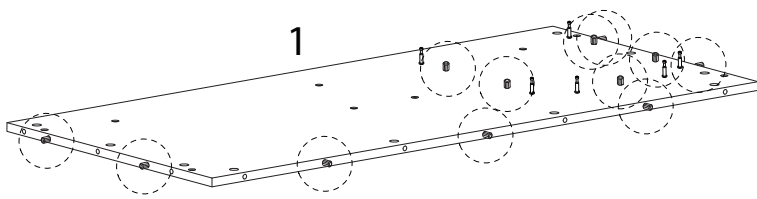
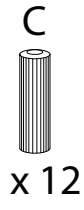
!



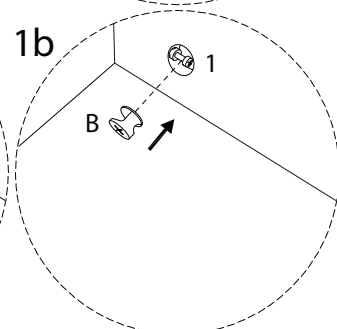
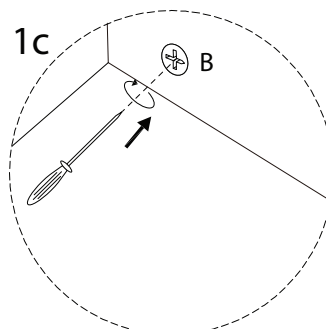
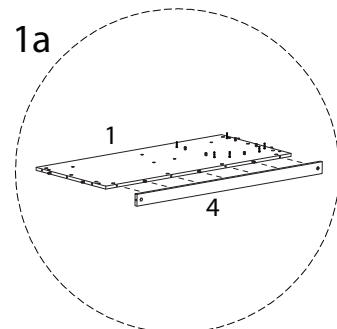
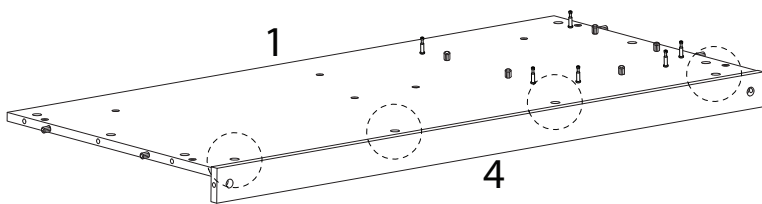
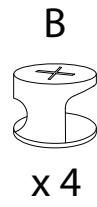
1



2



3

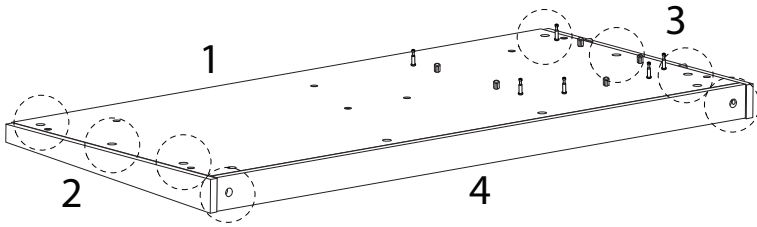


4

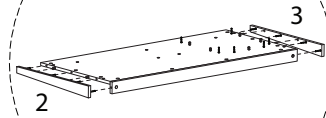
B



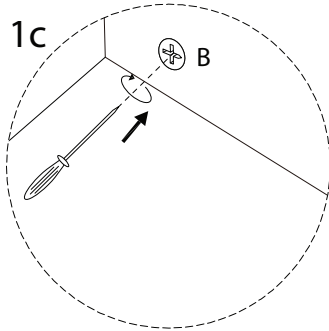
x 8



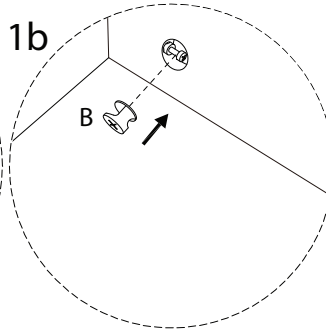
1a



1c



1b



5

14



x 1

15



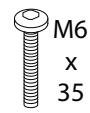
x 1

16



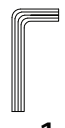
x 1

F

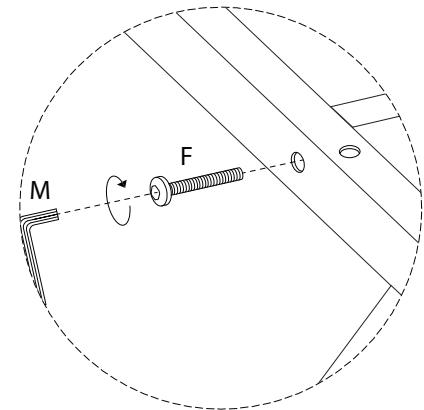
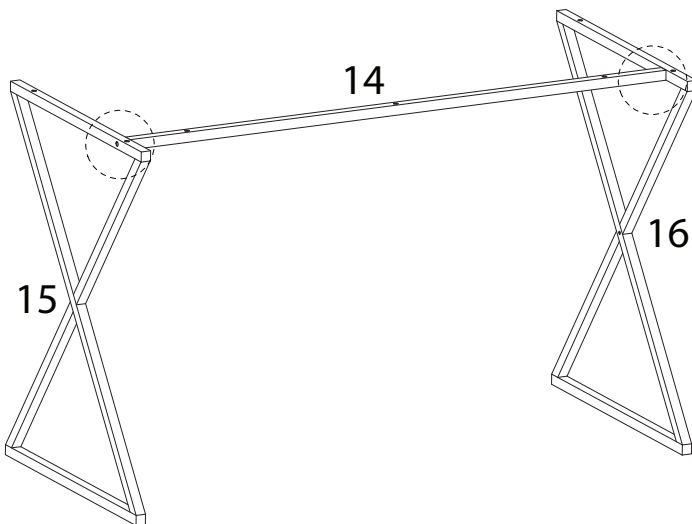


x 2

M



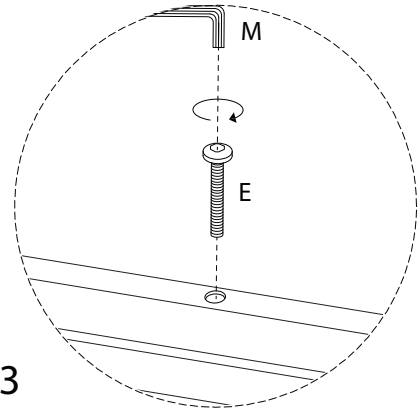
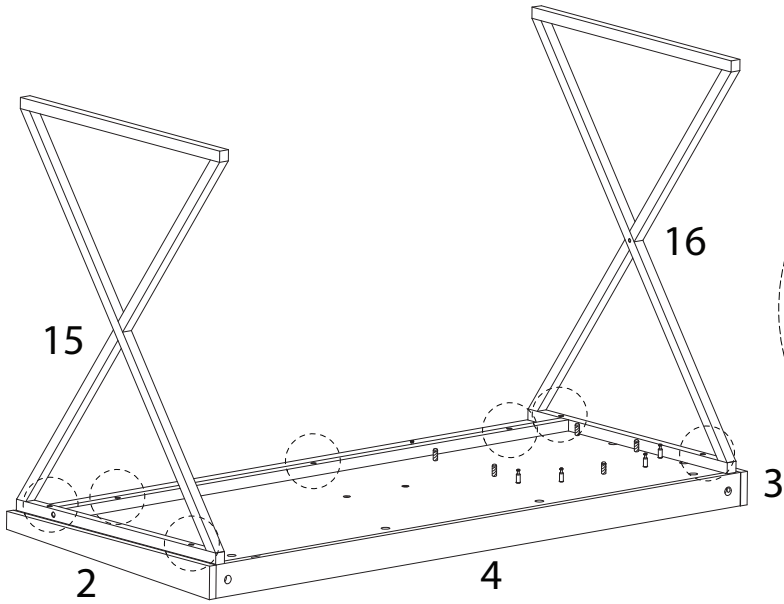
x 1



6

E  
M6  
x  
30  
x 7

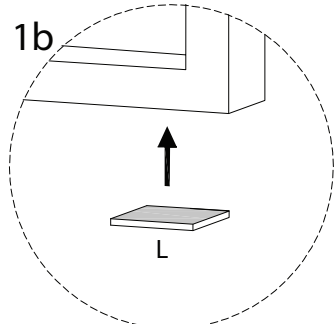
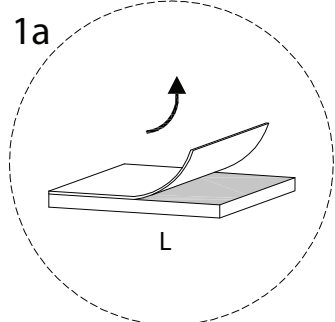
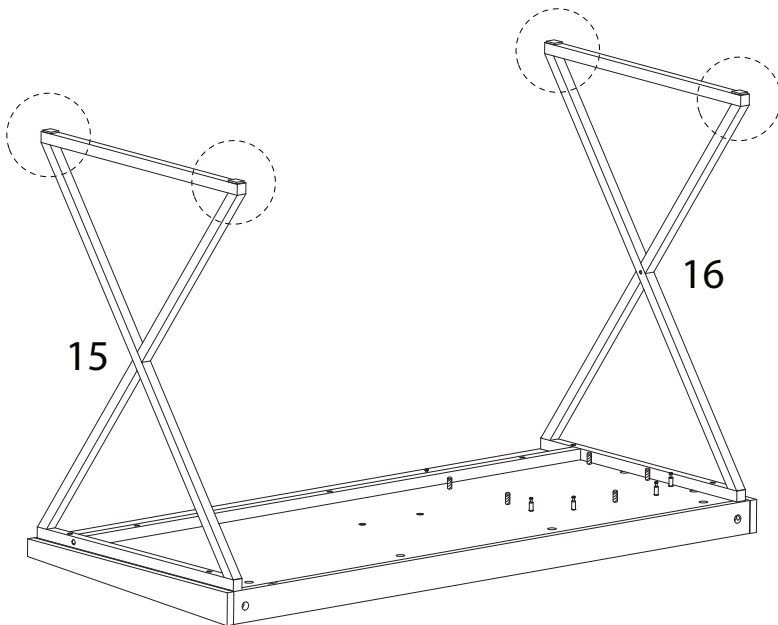
M  
x 1



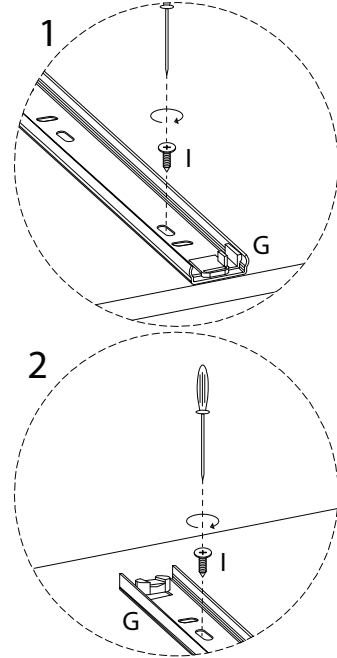
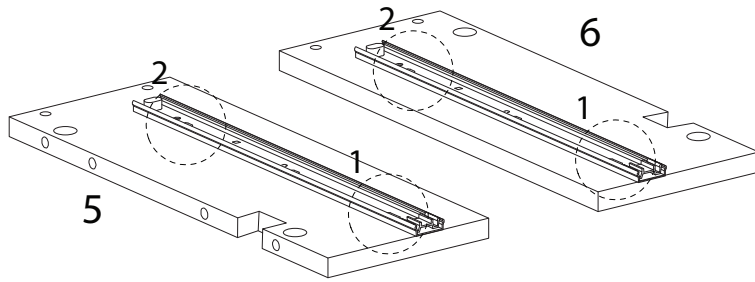
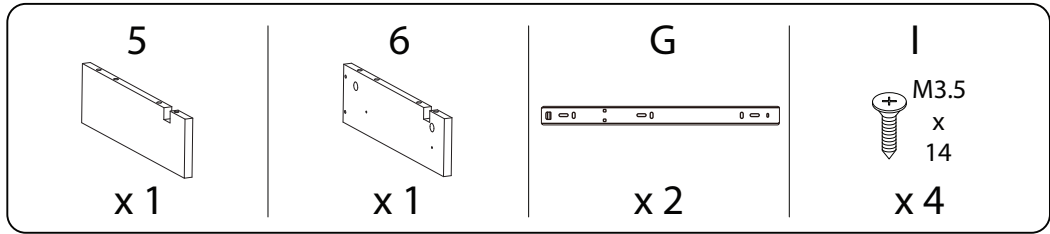
7

L

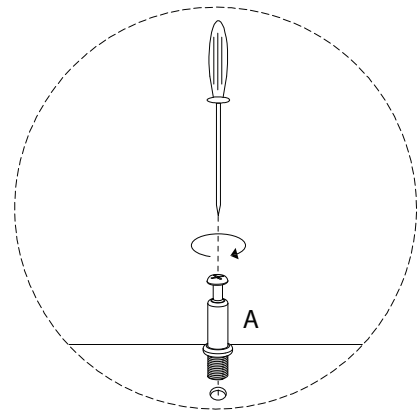
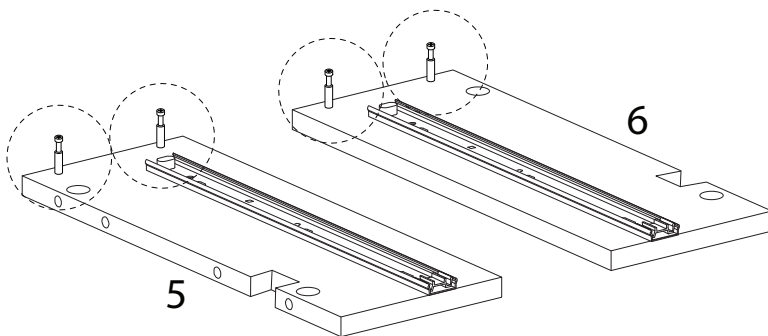
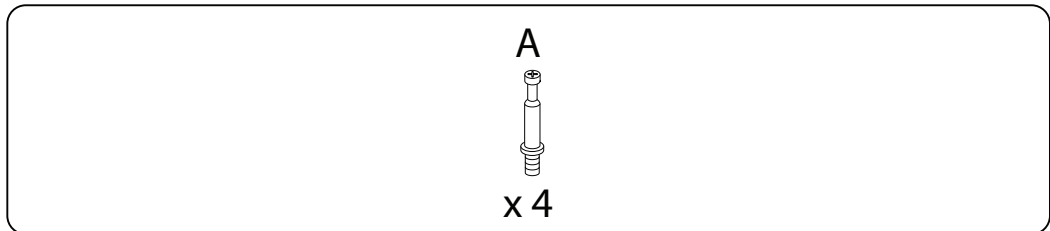
x 4



8

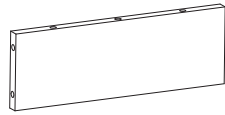


9



10

7

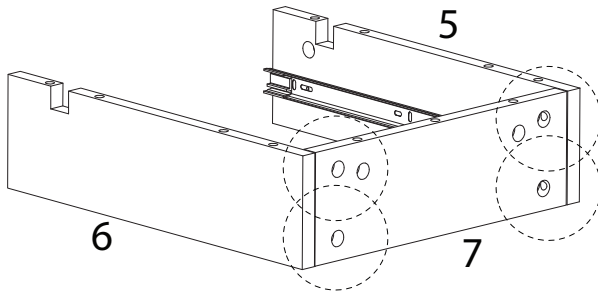


x 1

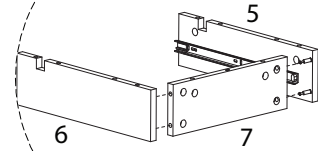
B



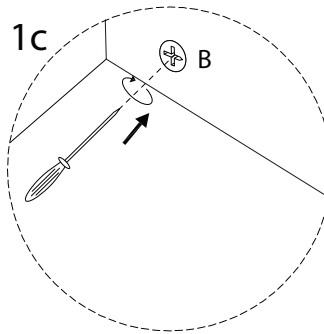
x 4



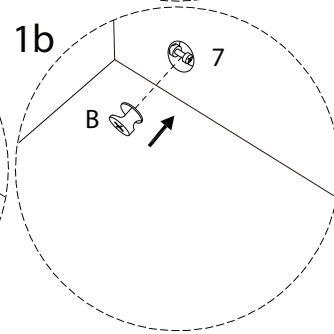
1a



1c



1b

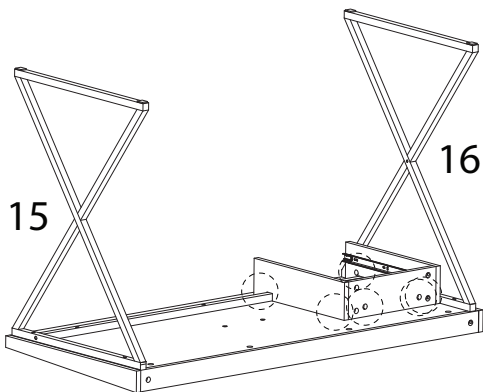


11

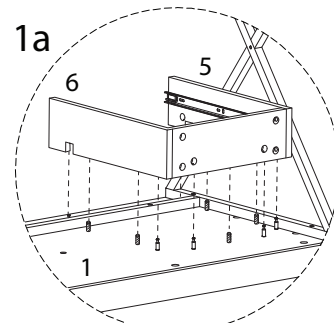
B



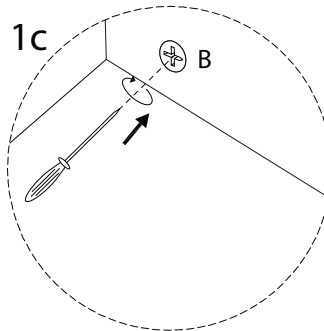
x 6



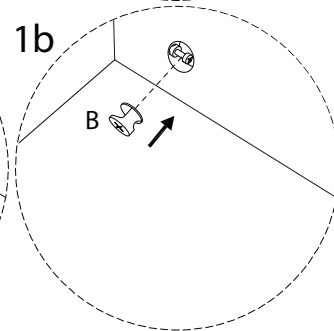
1a



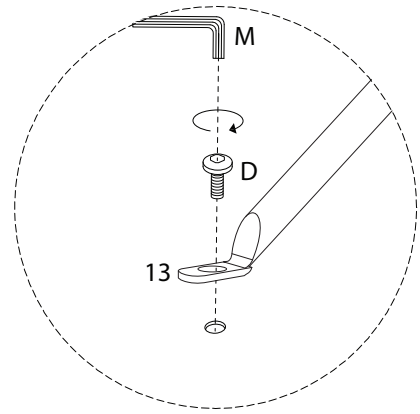
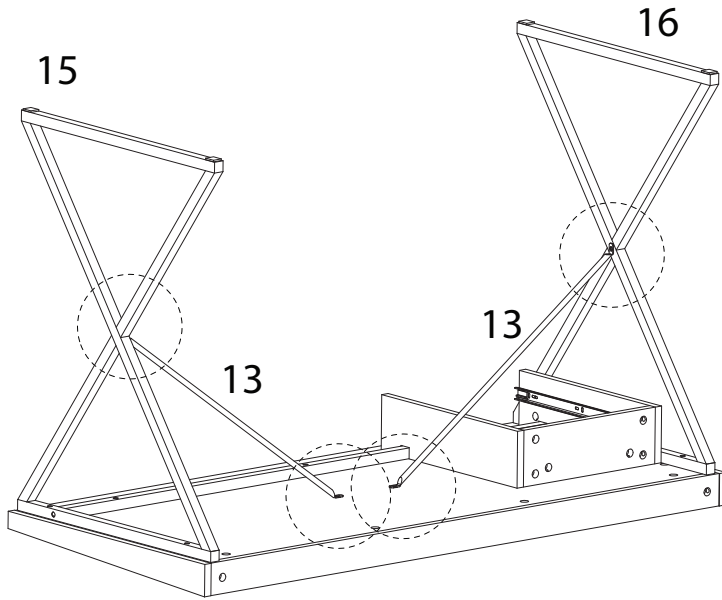
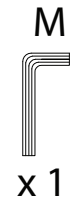
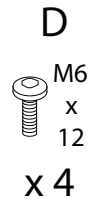
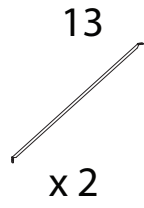
1c



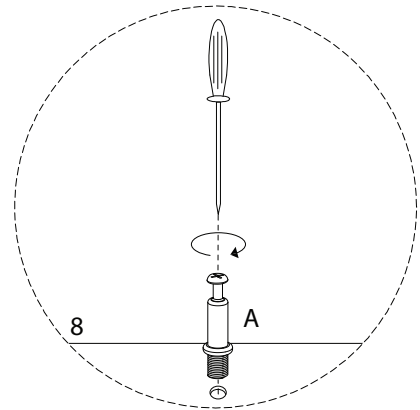
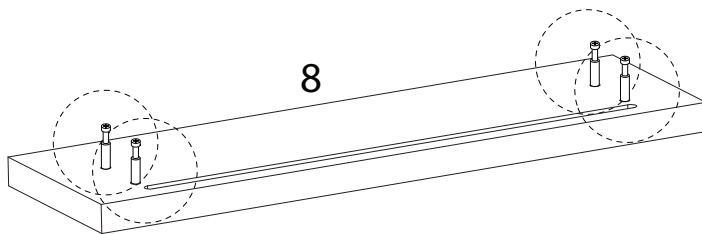
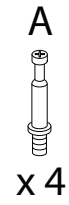
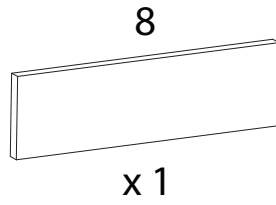
1b



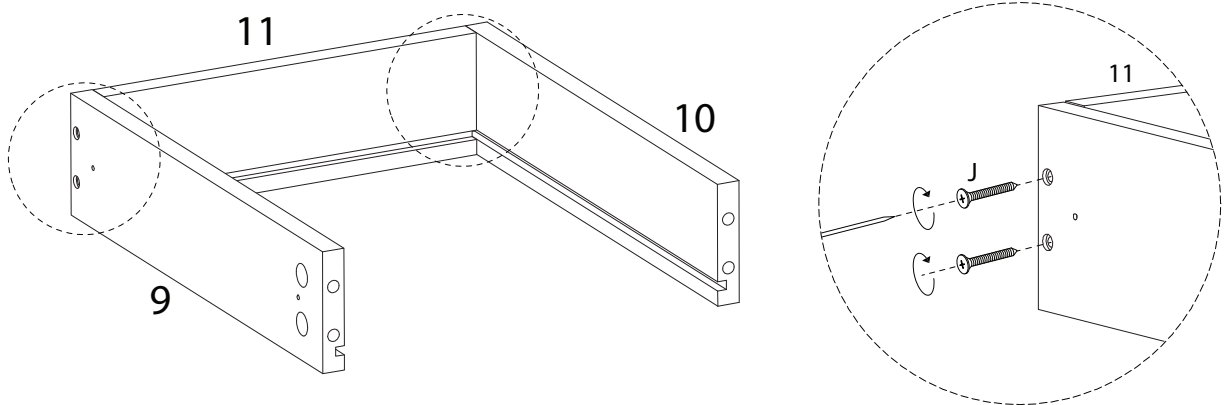
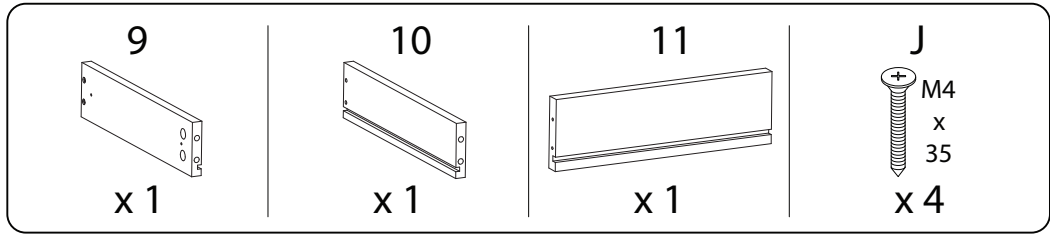
12



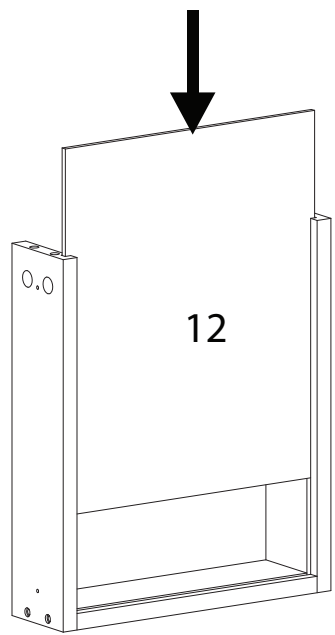
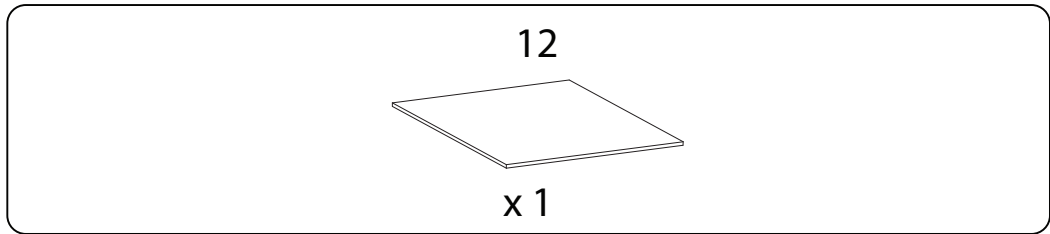
13



14



15

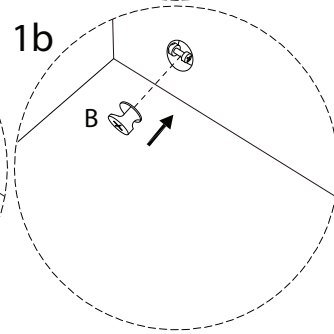
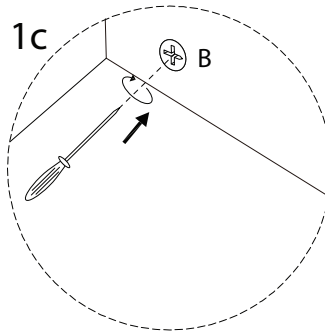
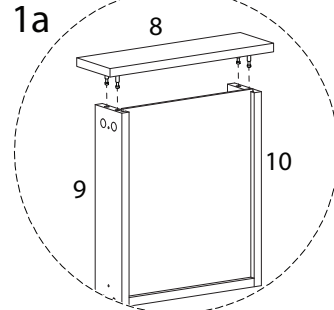
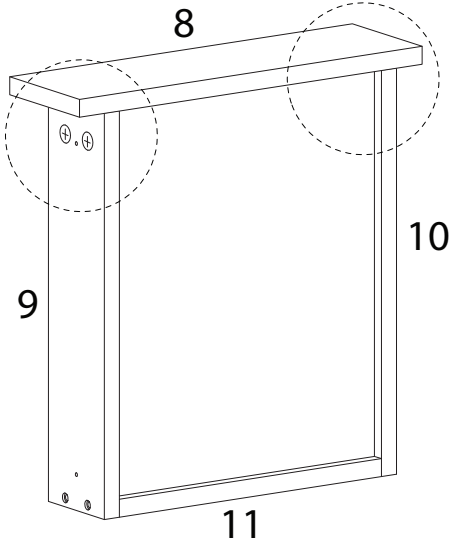


16

B

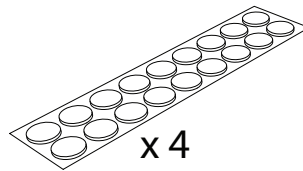


x 4

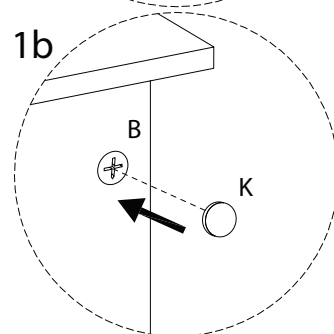
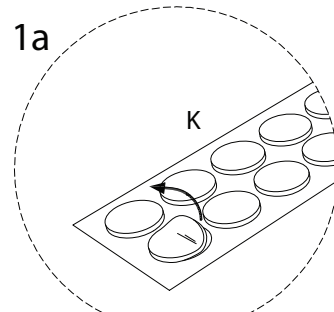
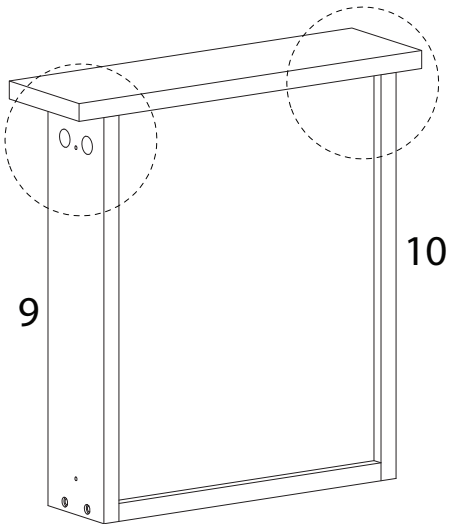


17

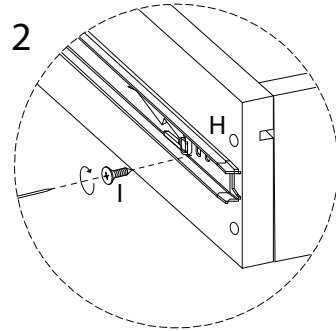
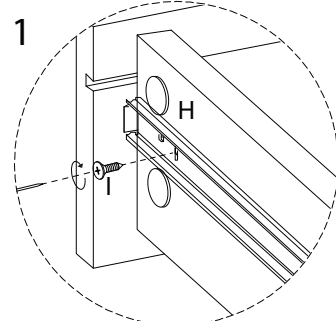
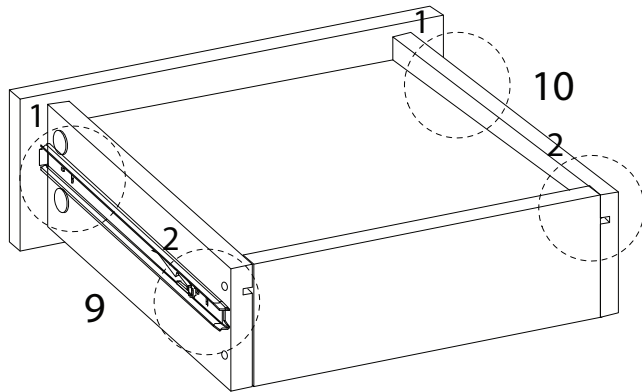
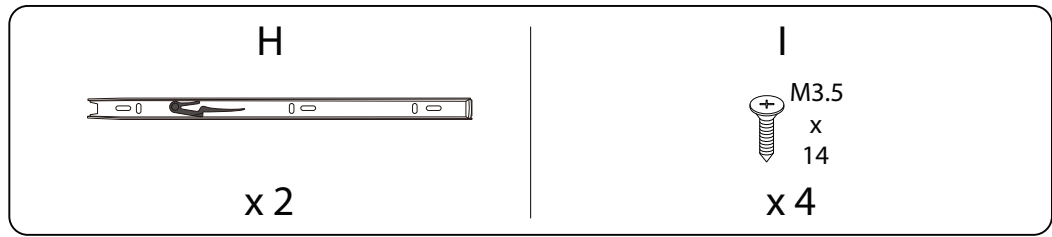
K



x 4



18



19

