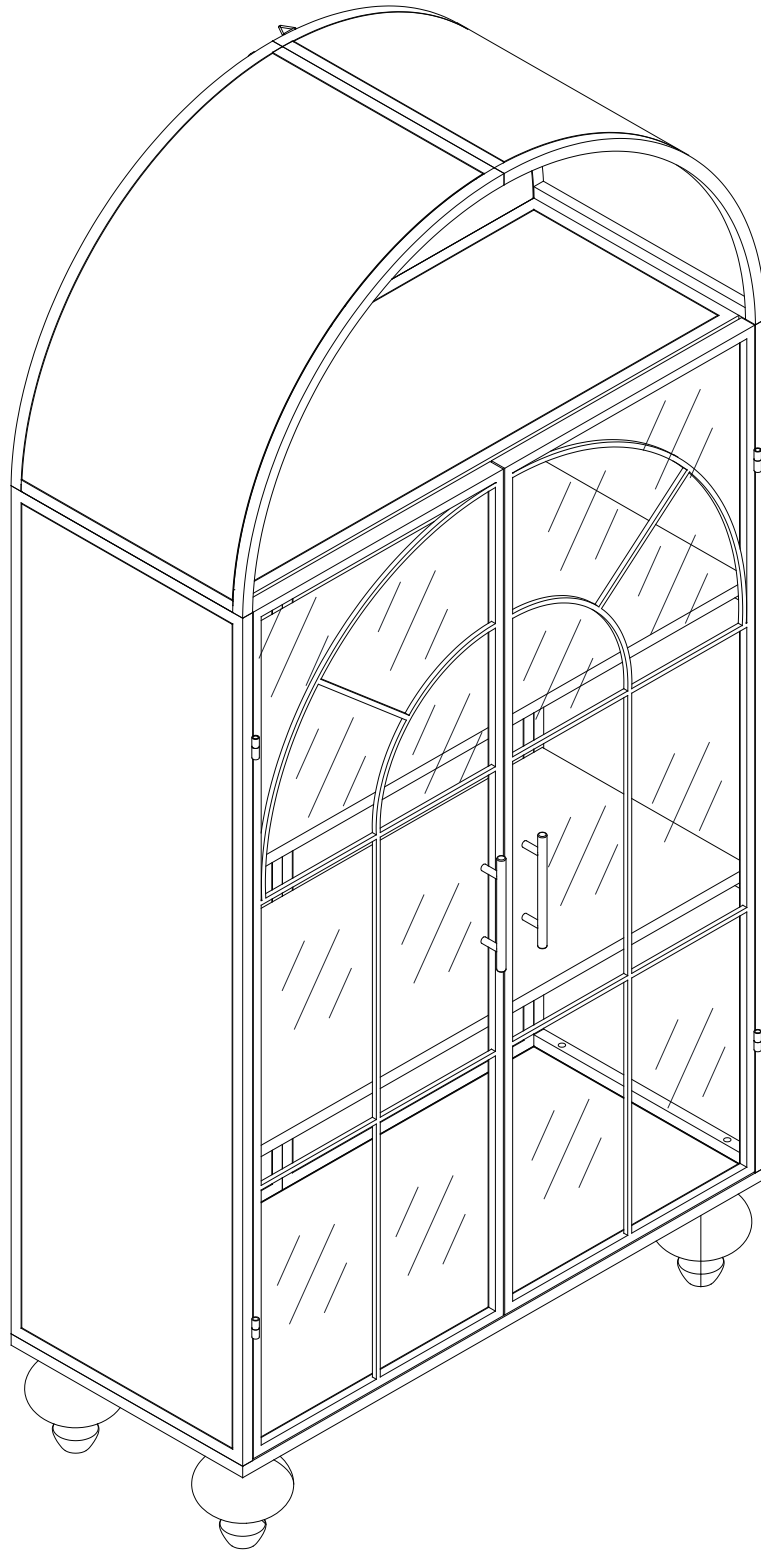


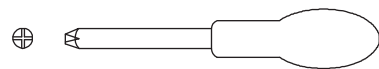
ASSEMBLY INSTRUCTION



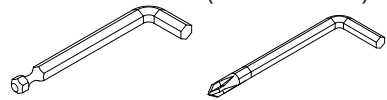
2 PERS



60 MIN



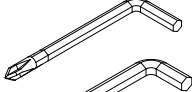
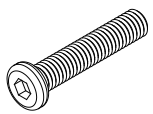
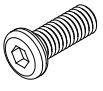


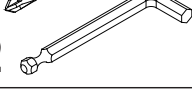
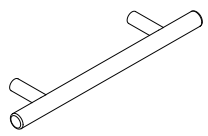
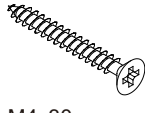
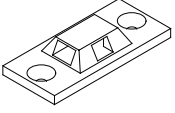
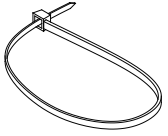
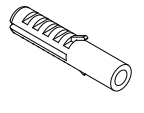
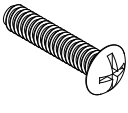
Pozi Screwdriver(Not Provided)



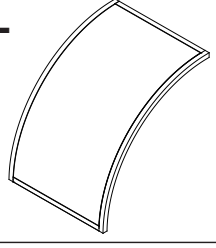
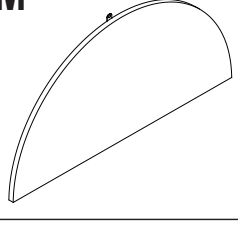
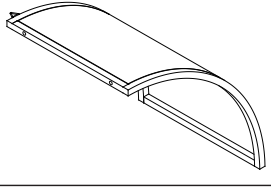
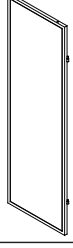
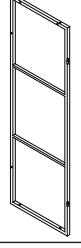
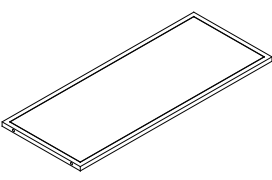
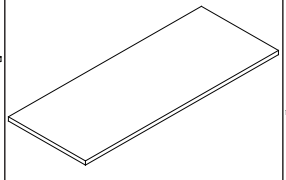
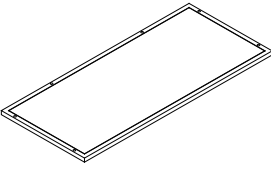
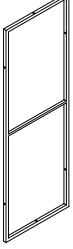
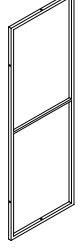
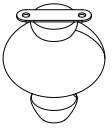

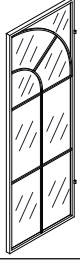
Hexagonal wrench(Provided)

Assembly Instruction

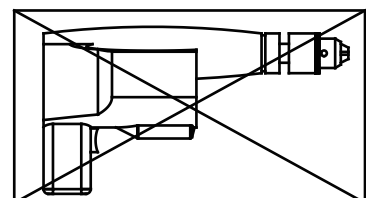
HARDWARE LIST

A1 	B  M6x25mm	C  M6x16mm	D 	E 
A2 	24 PCS	9 PCS	8 PCS	4 PCS
F 	G  M4x30mm	H 	I 	J 
2 PCS	2 PCS	1 PC	1 PC	2 PCS
K 				
4 PCS				

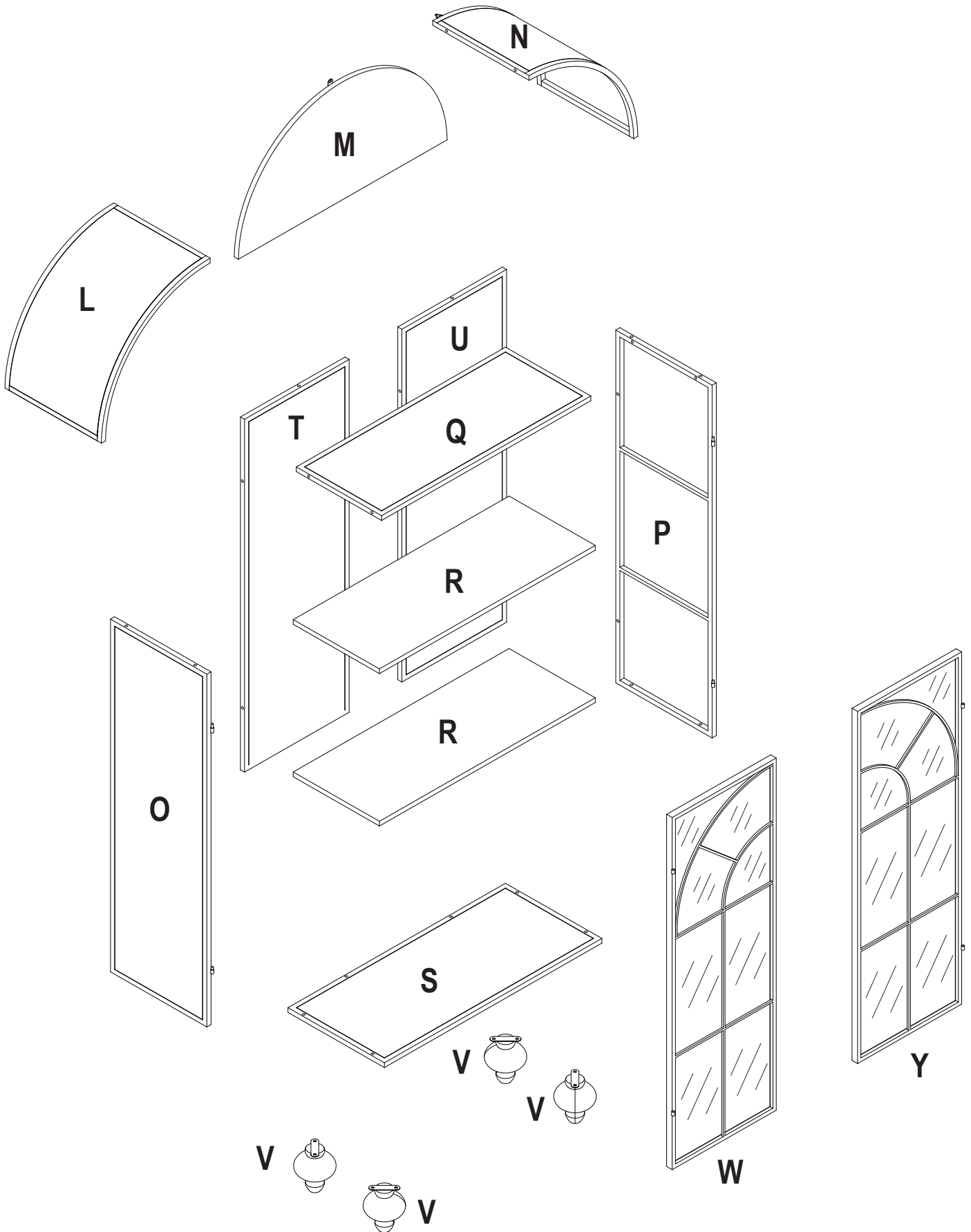
PART LIST

L 	M 	N 	O 	P 
1 PC	1 PC	1 PC	1 PC	1 PC
Q 	R 	S 	T 	U 
1 PC	2 PCS	1 PC	1 PC	1 PC
V 	W 	Y 		
4 PCS	1 PC	1 PC		

● Do not use power tools to assemble your furniture.
Power tools may strip or damage the parts.

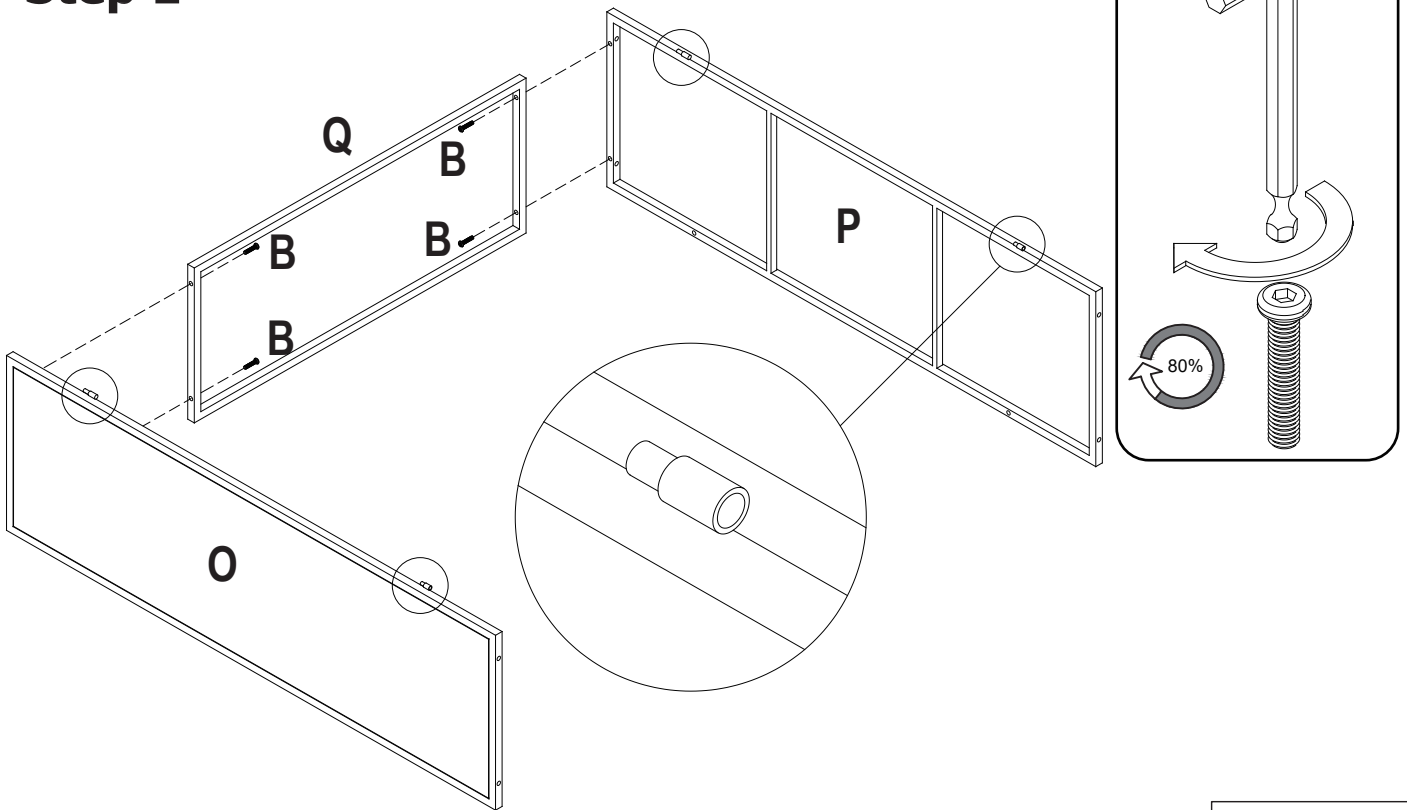


Explosive View



IMPORTANT NOTE: DO NOT tighten all screws and bolts until completely assembled

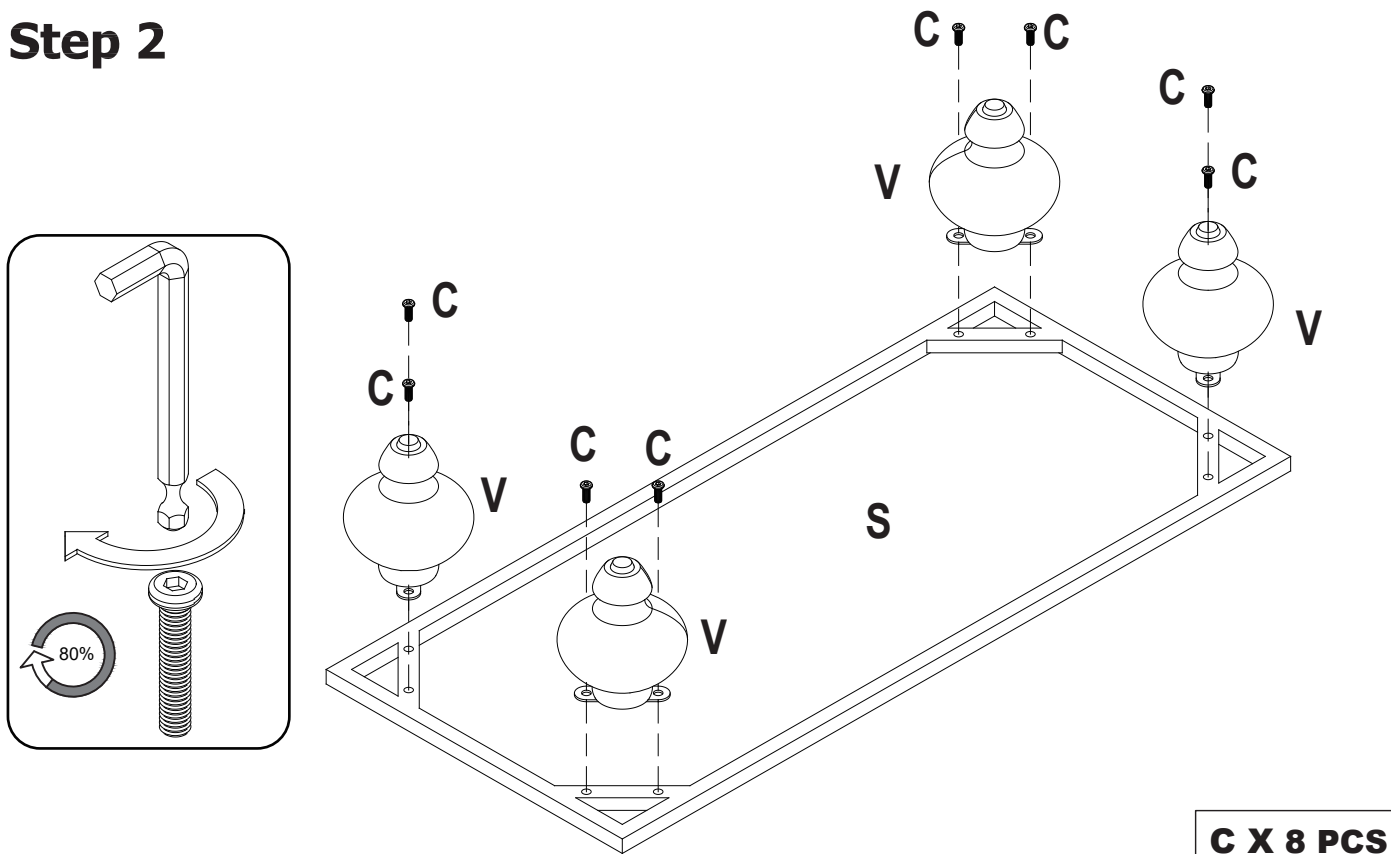
Step 1



B X 4 PCS

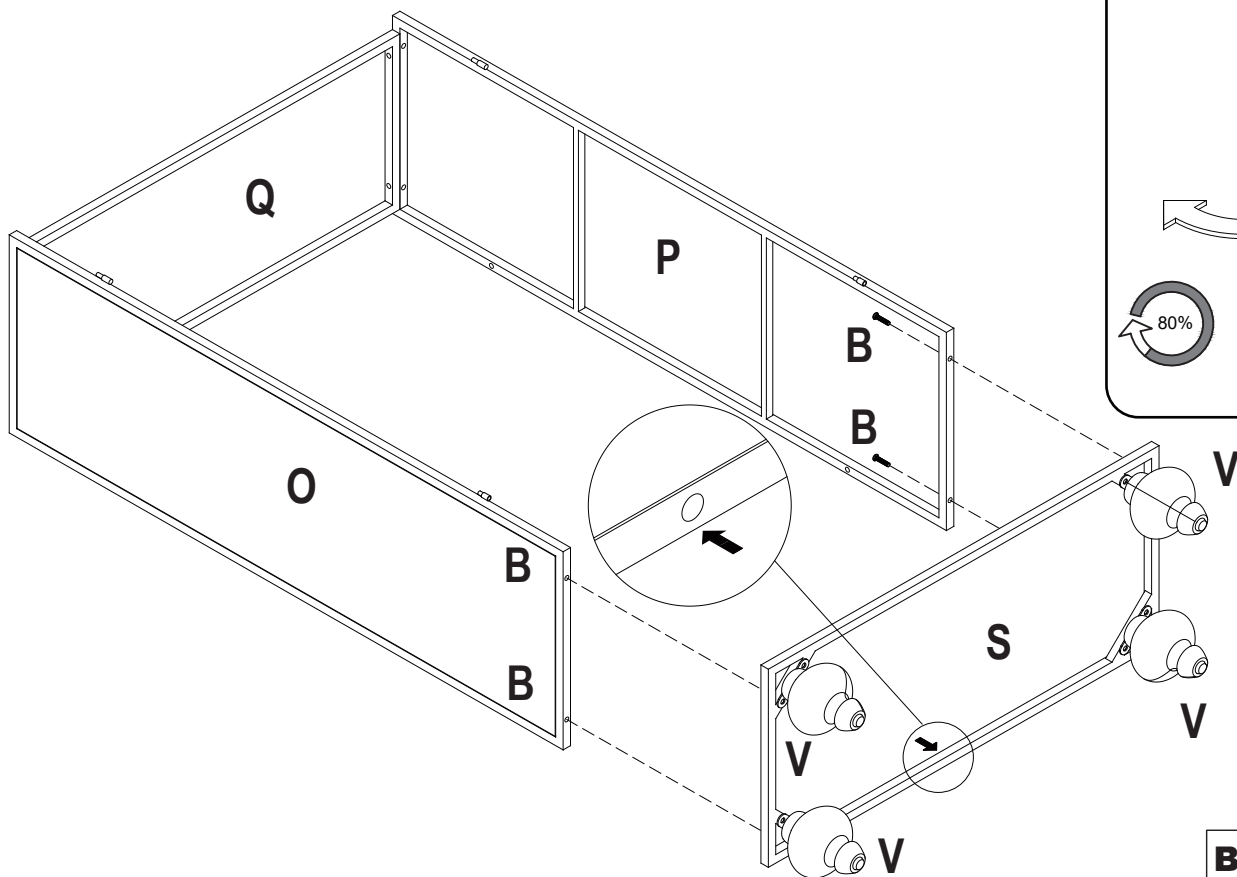
A2 X1 PC

Step 2



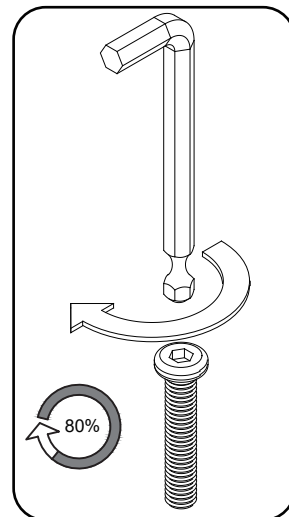
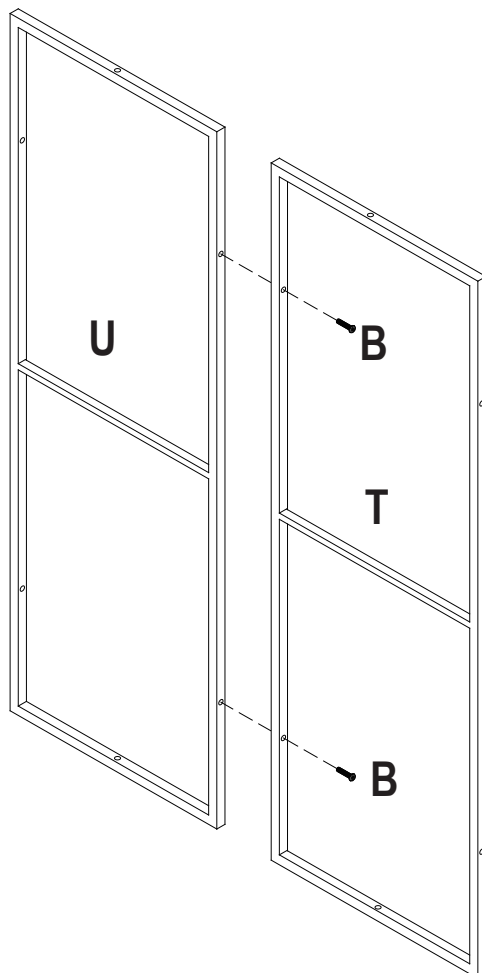
C X 8 PCS

Step 3



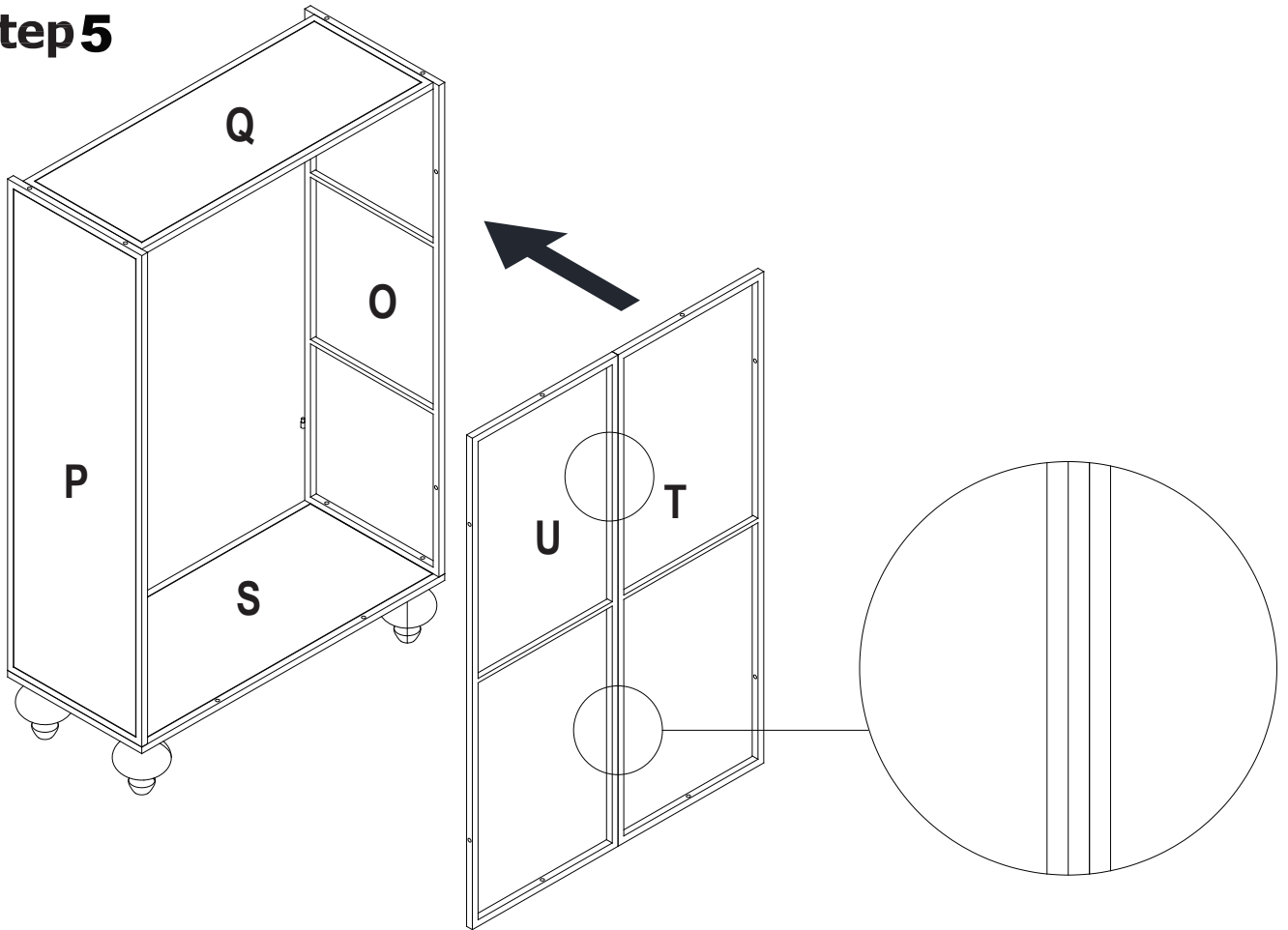
B X4 PCS

Step 4

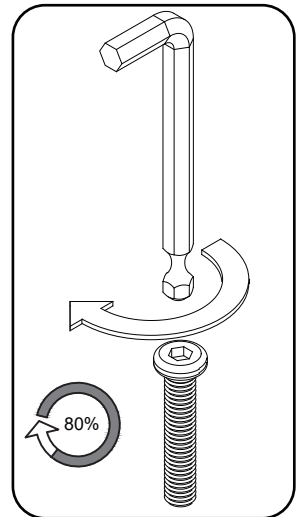
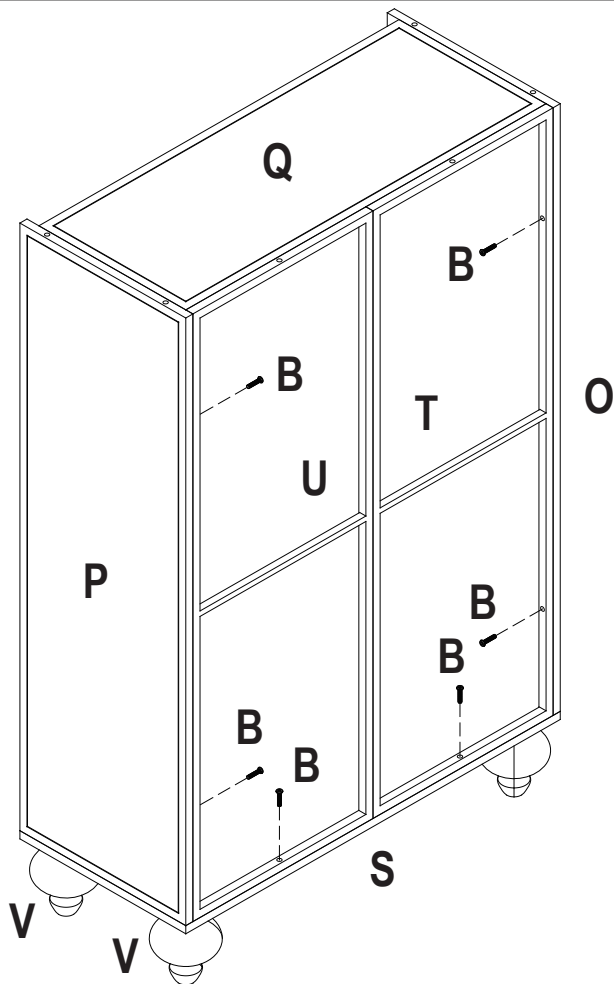


B X2 PCS

Step 5

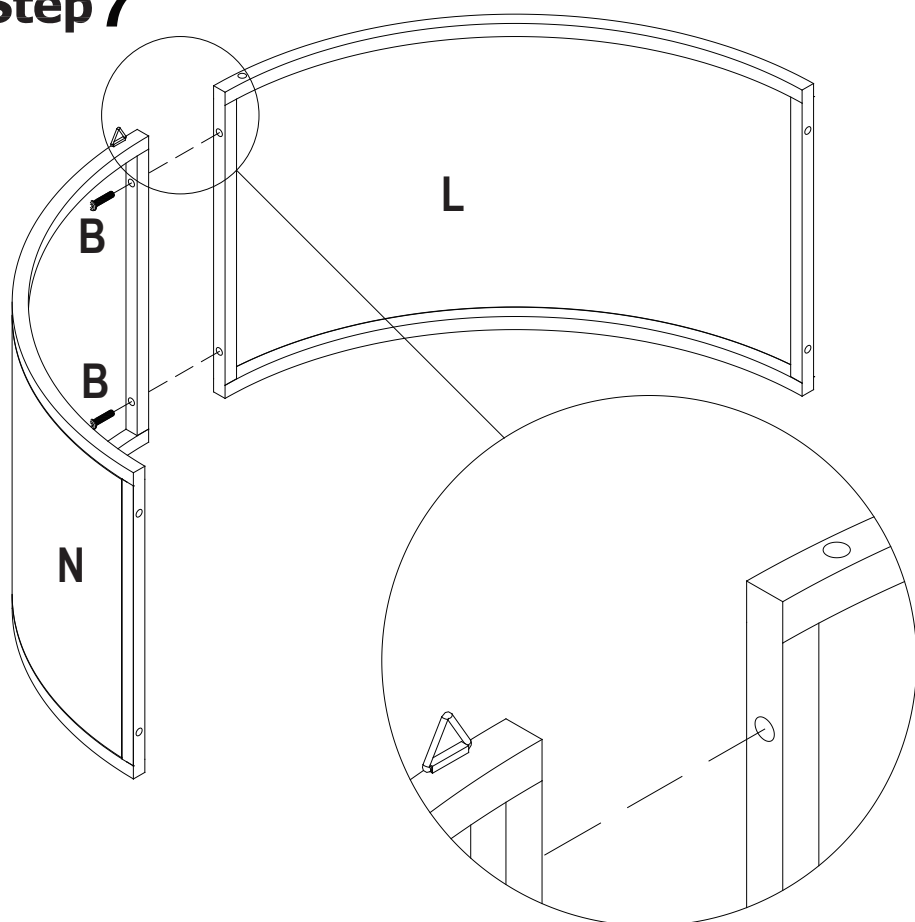


Step 6



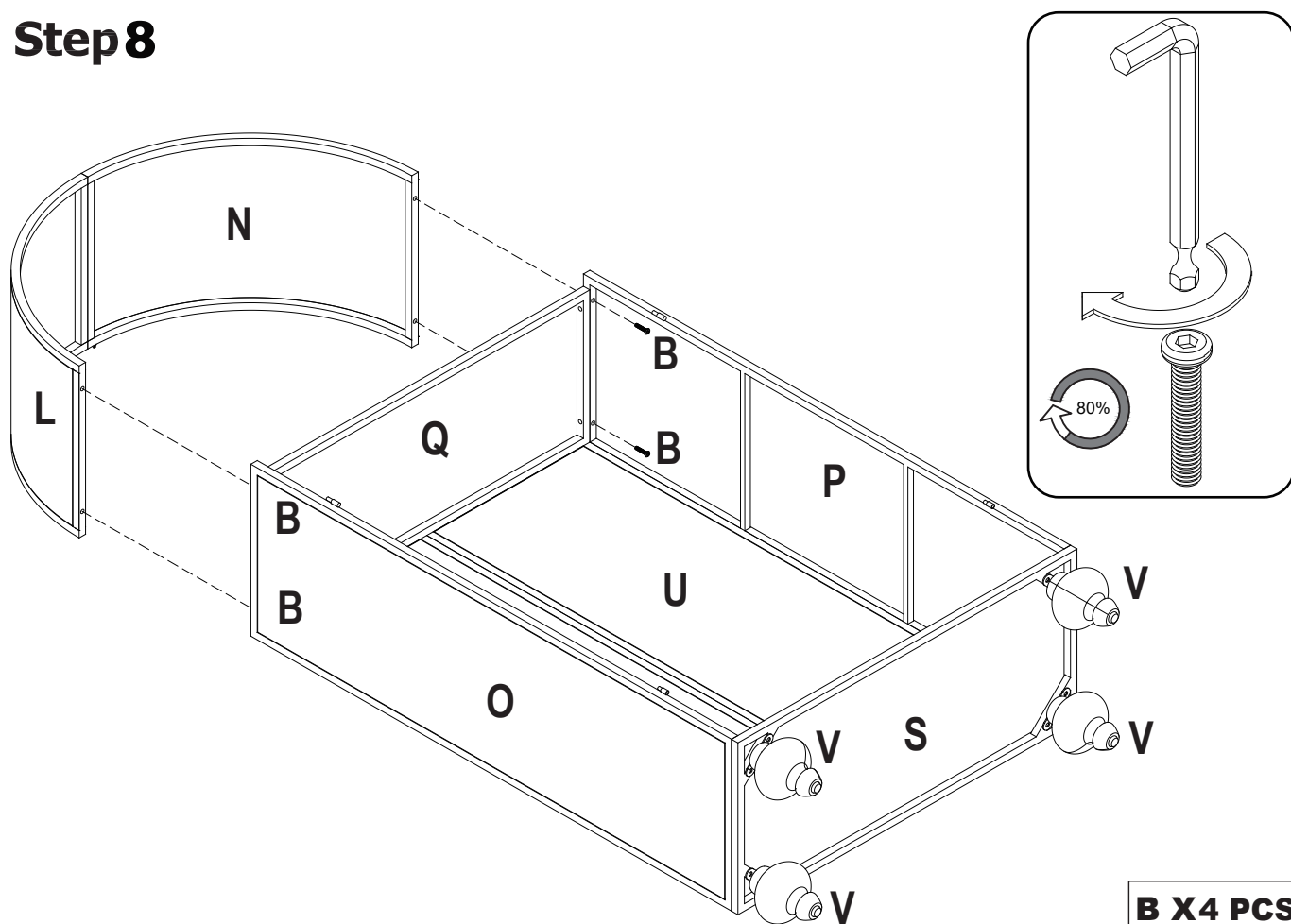
B X6 PCS

Step 7



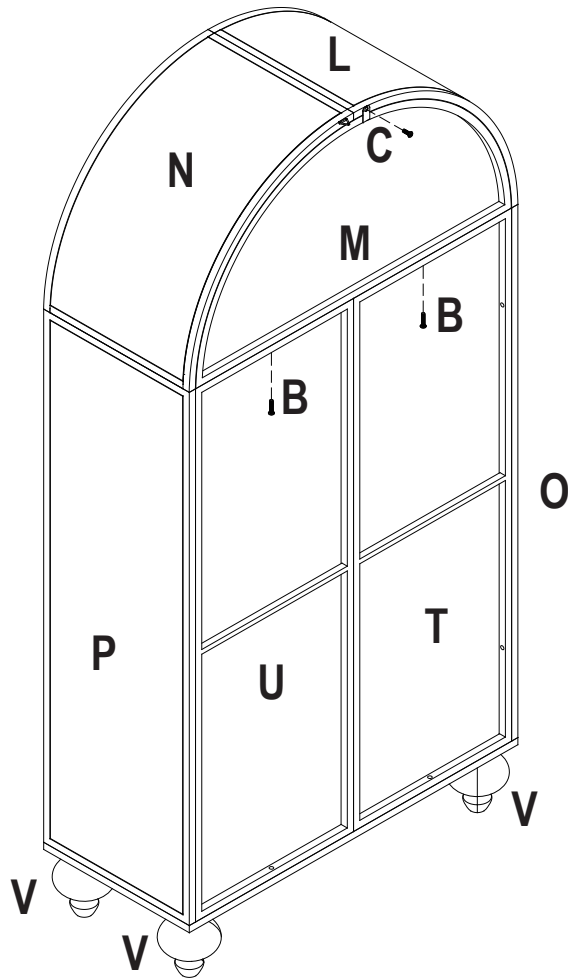
B X 2 PCS

Step 8



B X 4 PCS

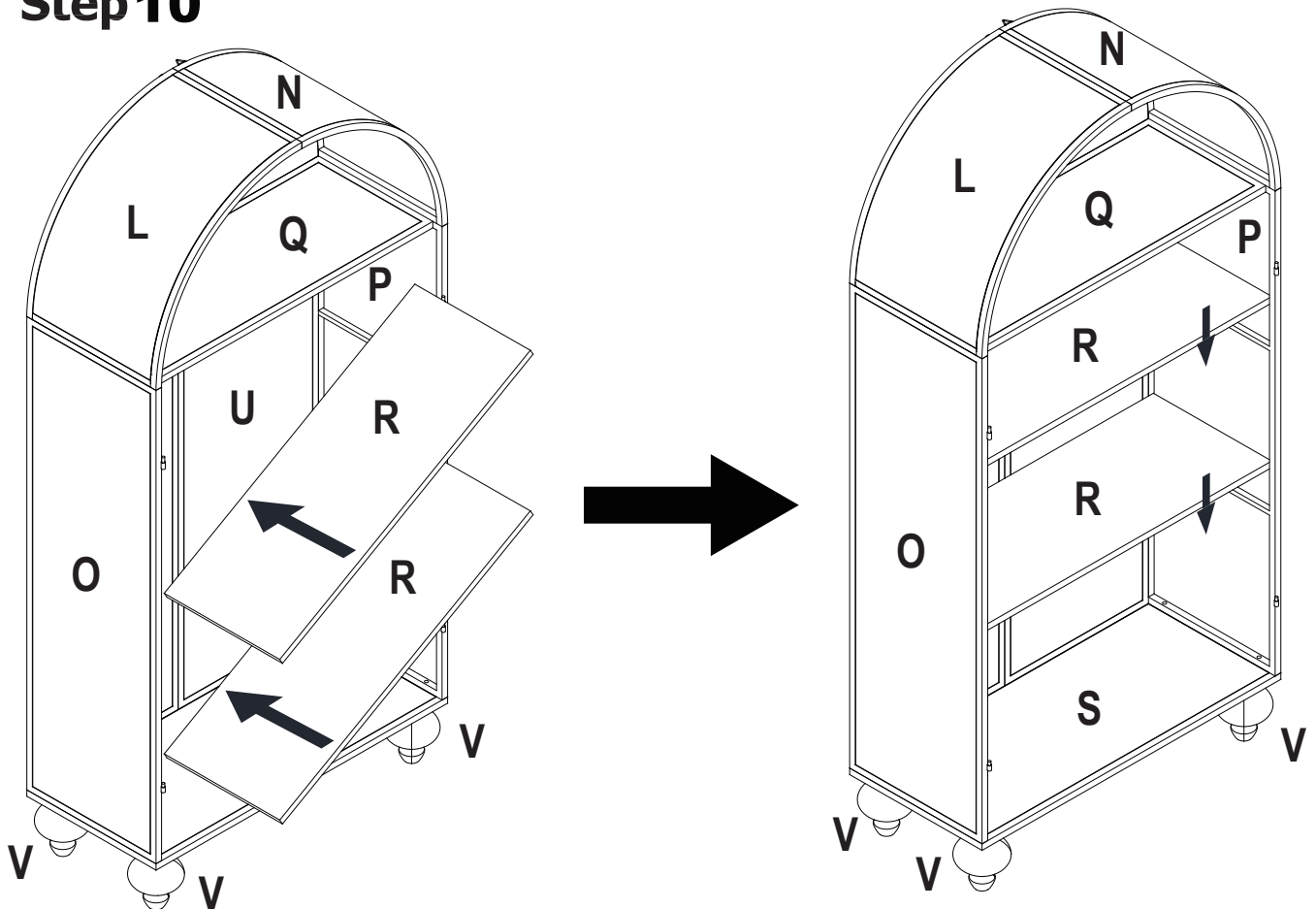
Step 9



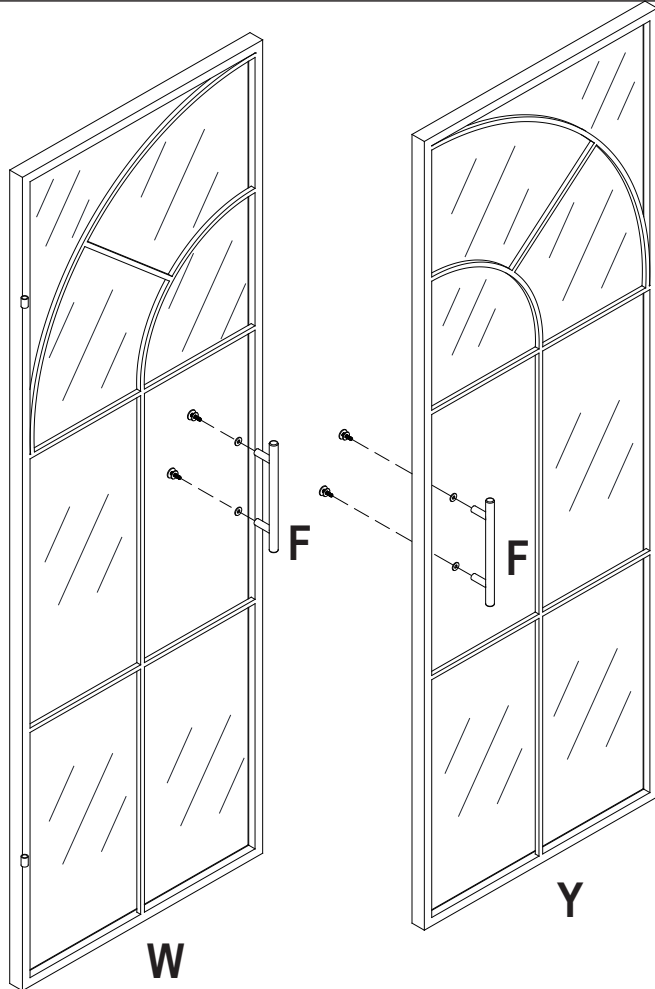
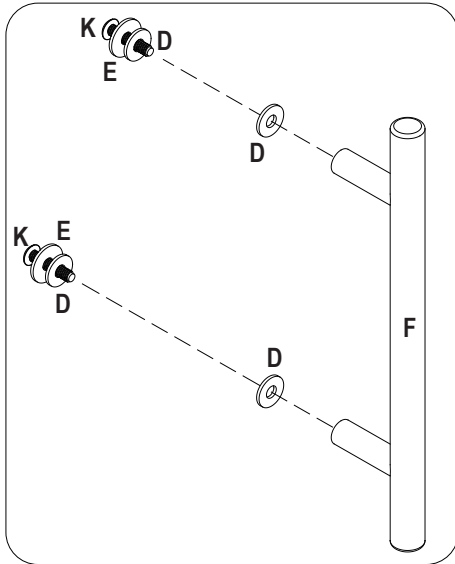
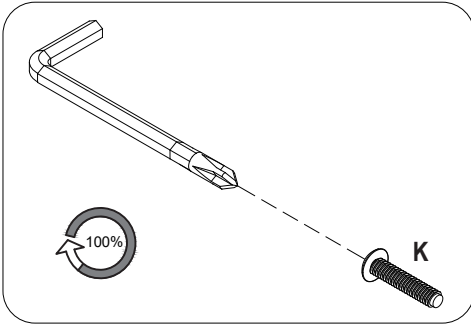
B X 2 PCS

C X 1 PC

Step 10

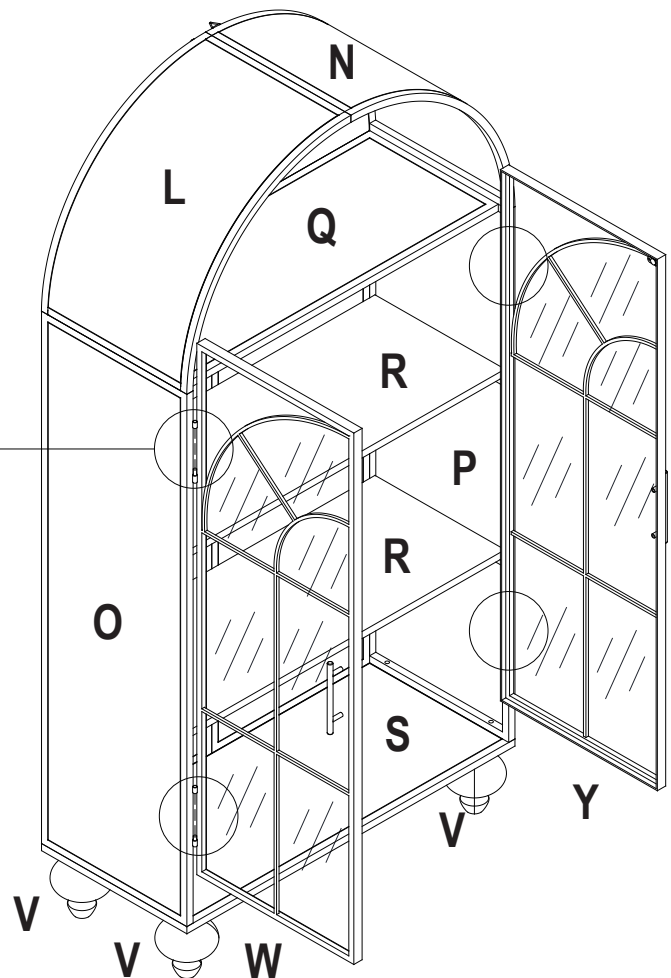
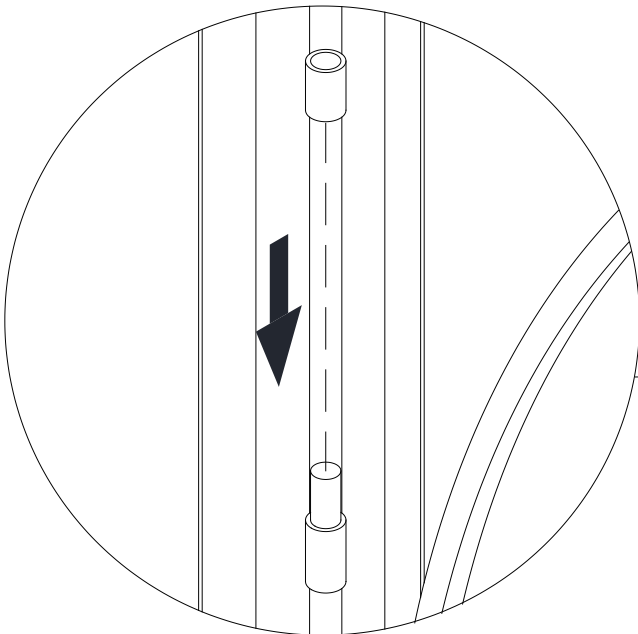


Step 11

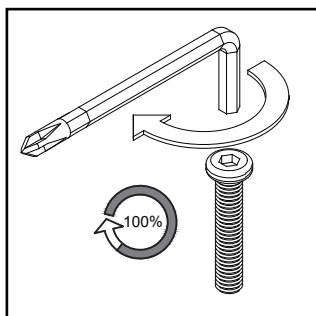
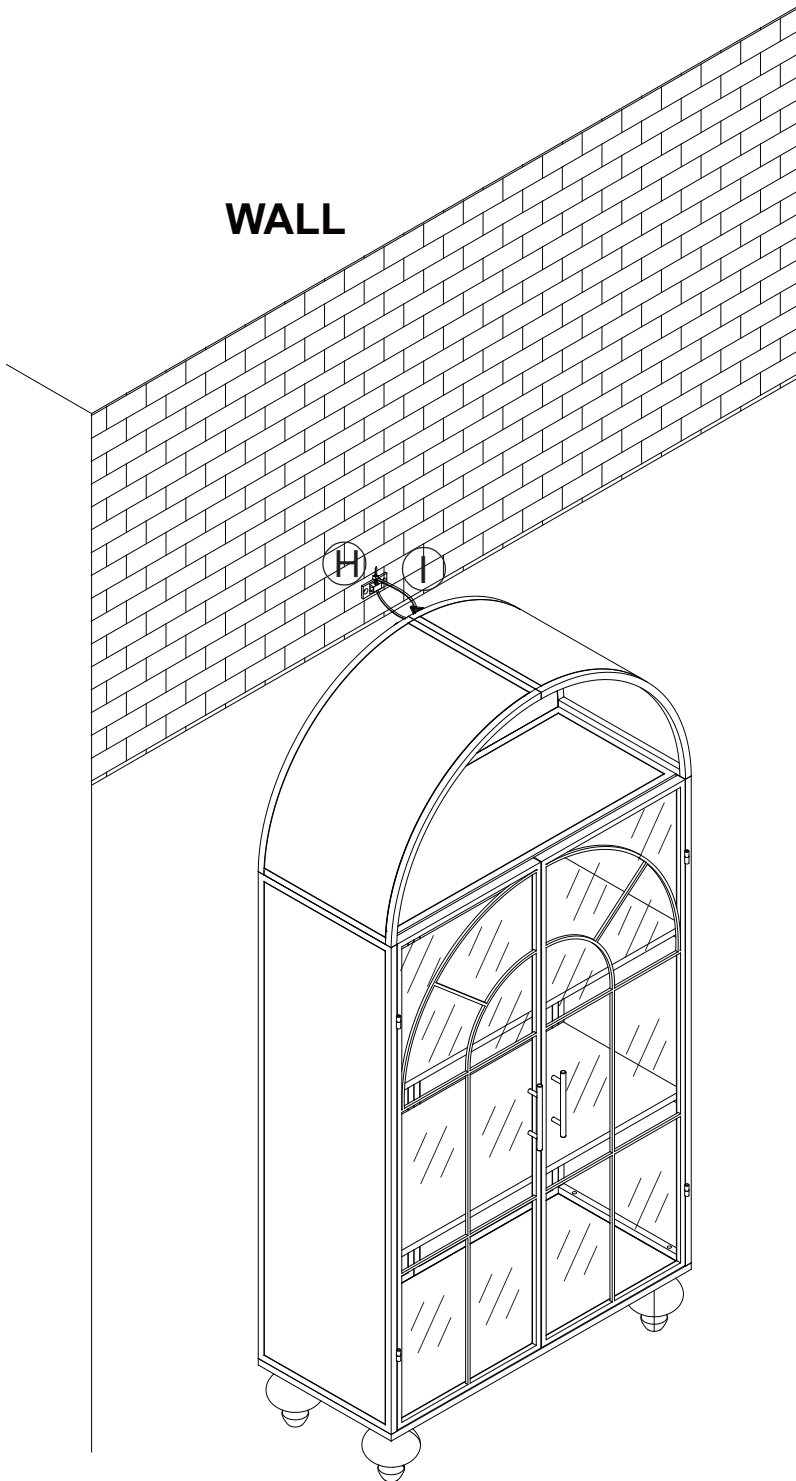


A1 X1 PC
D X8 PCS
E X4 PCS
F X2 PCS
K X4 PCS

Step 12



Step 13



NOTE:AFTER ASSEMBLY,PLEASE MAKE SURE THAT ALL SCREWS ARE 100% LOCKED

<p>WALL</p> <p>(1)</p>
<p>WALL</p> <p>drilling hole Ø6x30mm</p> <p>(2)</p>
<p>WALL</p> <p>(3)</p>
<p>WALL</p> <p>(4)</p>
<p>(5)</p>

G X 2 PCS

J X 2 PCS

H X 1 PC

I X 1 PC