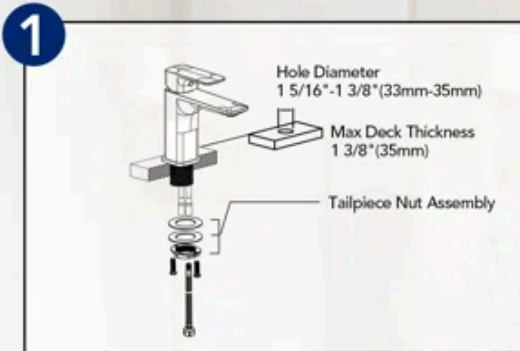
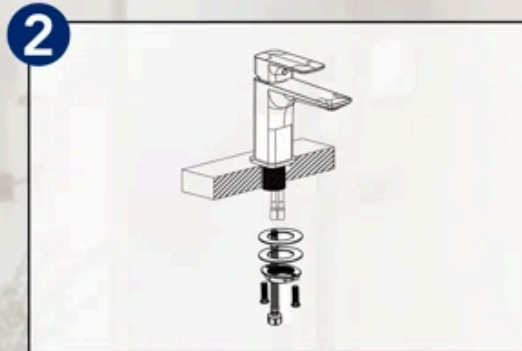


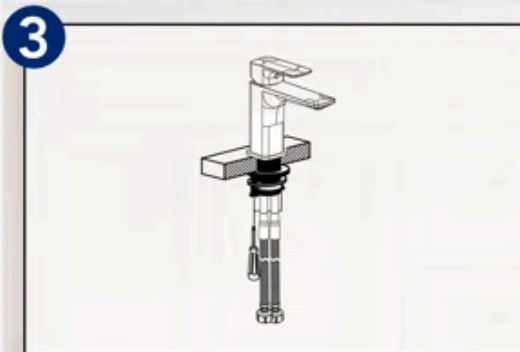
EASY 4-STEP INSTALLATION



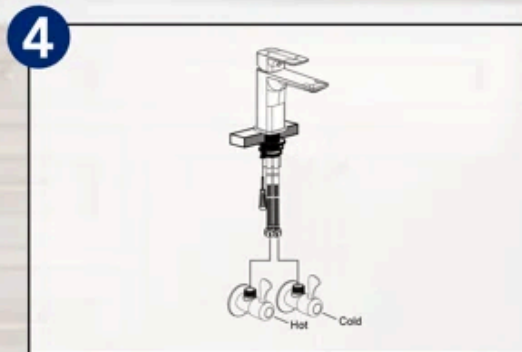
Insert the faucet, and thread the tailpiece nut assembly onto the shank.



Connect the cold water supply line (blue) to the right hole, and connect the hot water supply line (red) to the left hole.



Tighten the two screws with a Phillips screwdriver.



Connect the hot and cold supply lines to the angle valves.