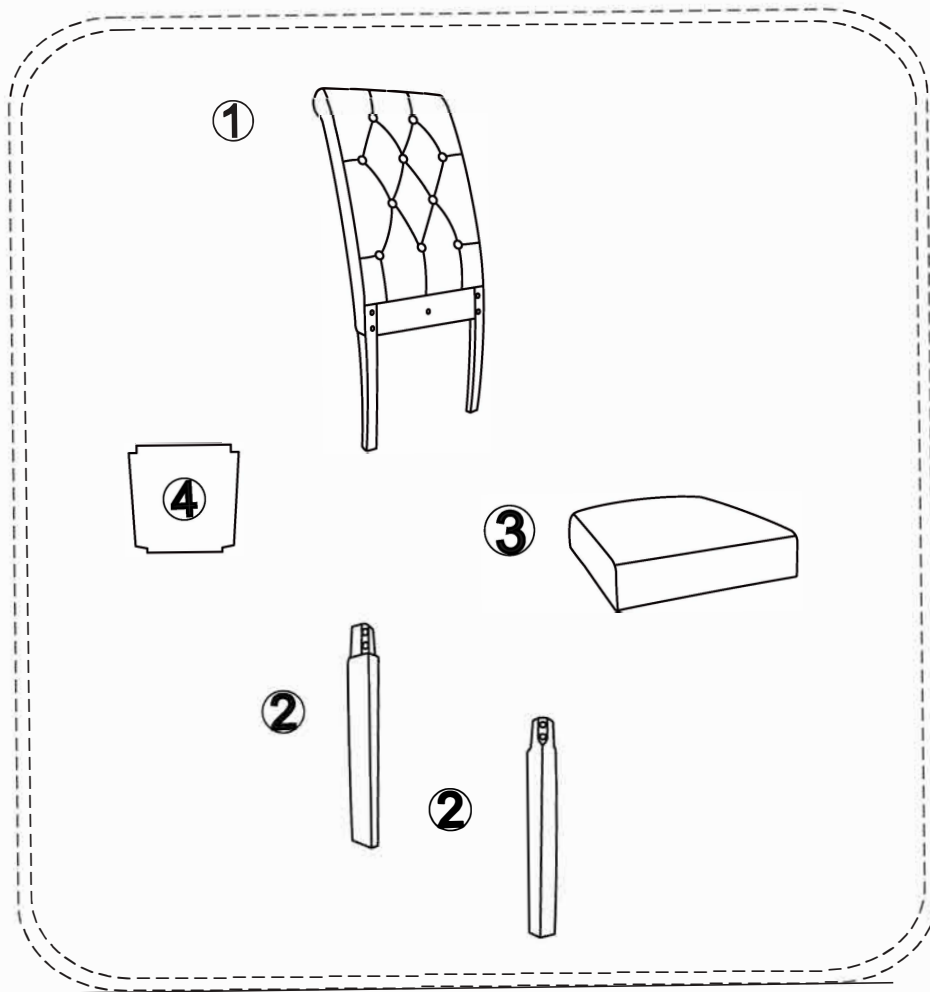
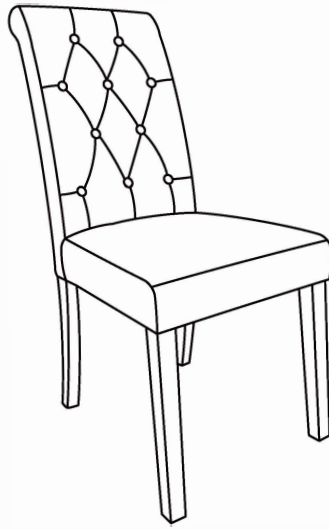


ASSEMBLY INSTRUCTIONS

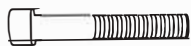


Ax5PCS



M6*55mm

Bx4PCS



M6*80mm



Cx9PCS



Dx9PCS

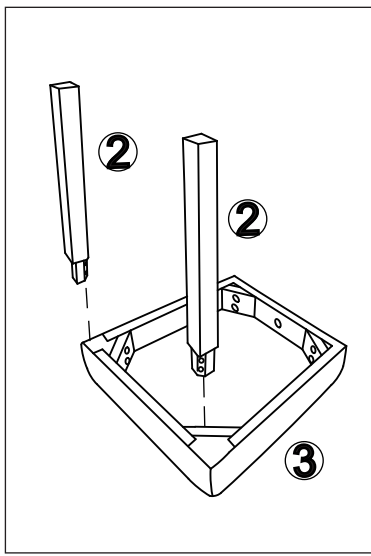


Ex1PC

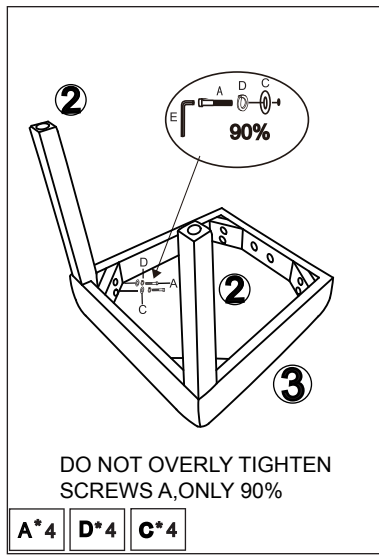


**DO NOT USE
EL DRILL**

1.



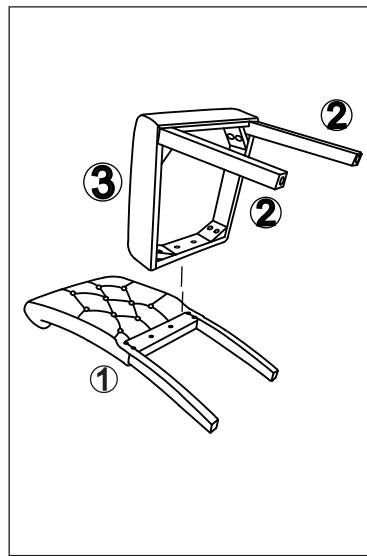
1



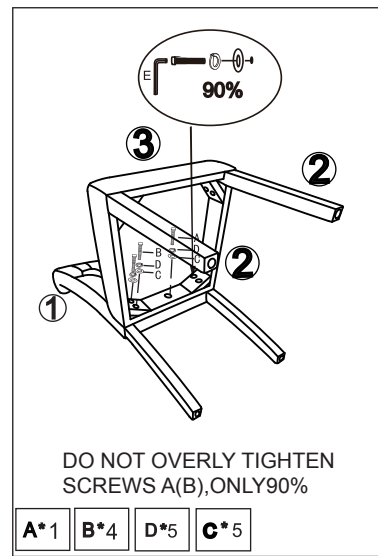
DO NOT OVERLY TIGHTEN
SCREWS A, ONLY 90%

A*4 D*4 C*4

2



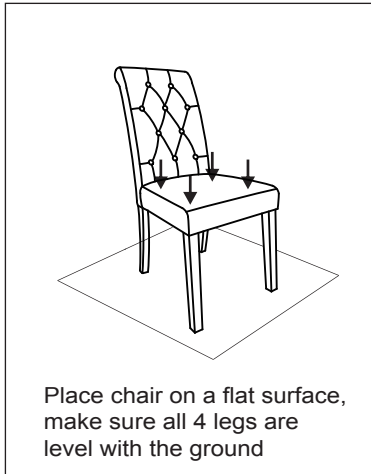
3



DO NOT OVERLY TIGHTEN
SCREWS A(B), ONLY 90%

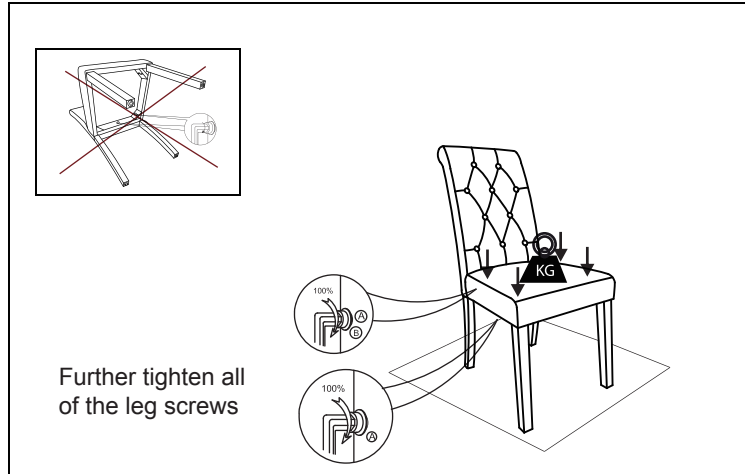
A*1 B*4 D*5 C*5

4



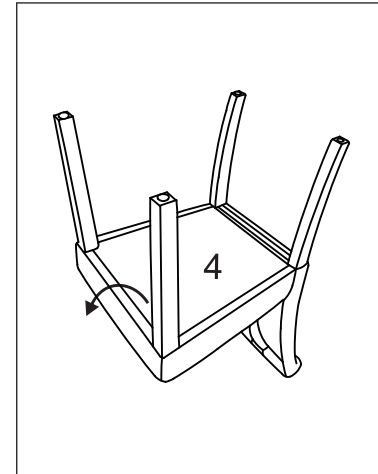
Place chair on a flat surface,
make sure all 4 legs are
level with the ground

5



Further tighten all
of the leg screws

6



7

