

ROCKING CHAIR ASSEMBLY INSTRUCTIONS

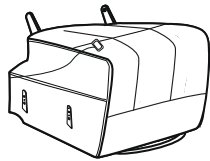


Accessories Display

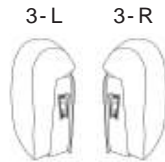
CAUTION: Please check and ensure all the things are in the package. You can contact us if something is not included. We will reply within 24 hours and try our best to solve it.



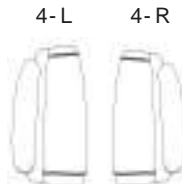
1. Back Cushion* 1pc



2. Seat* 1pc



3. Backrest Ear Part* 2pc



4. Armrest* 2pc



5. Allen wrench* 1pc



6. Sponge pad*1 pcs

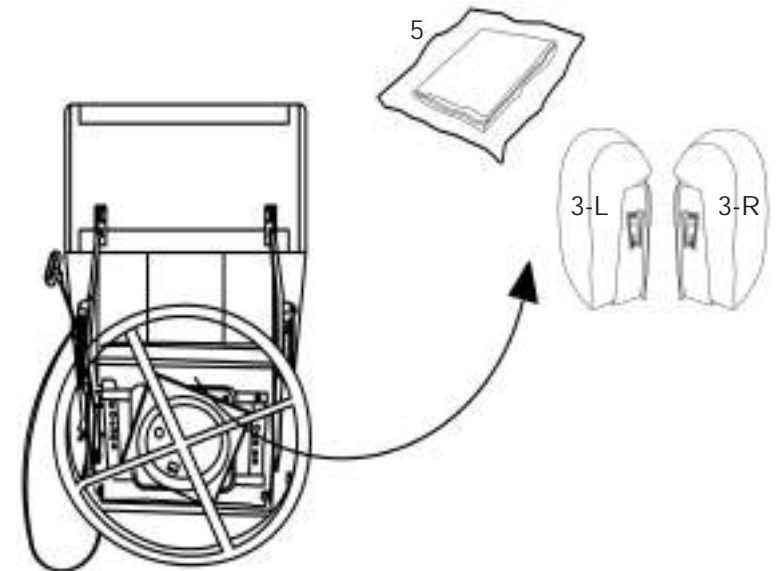
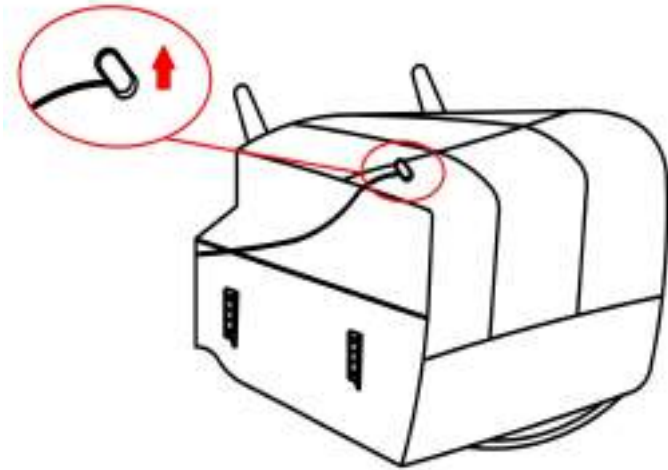


7. Hardware*4 pcs

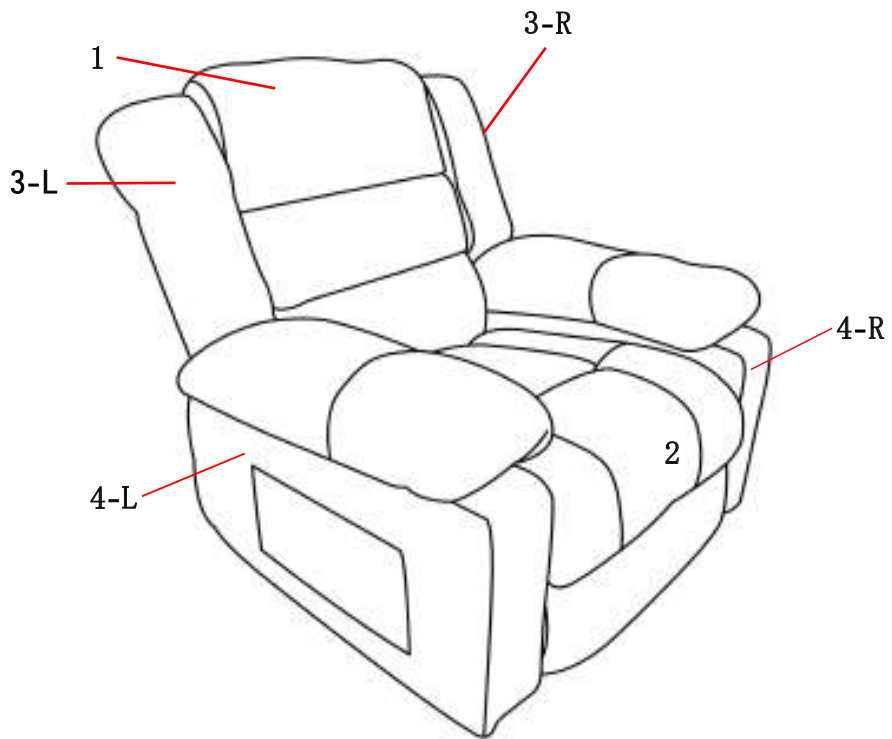


8. 6x16mm*8 pcs

PULL UP THE RING
AND OPEN THE FOOTPEDAL.

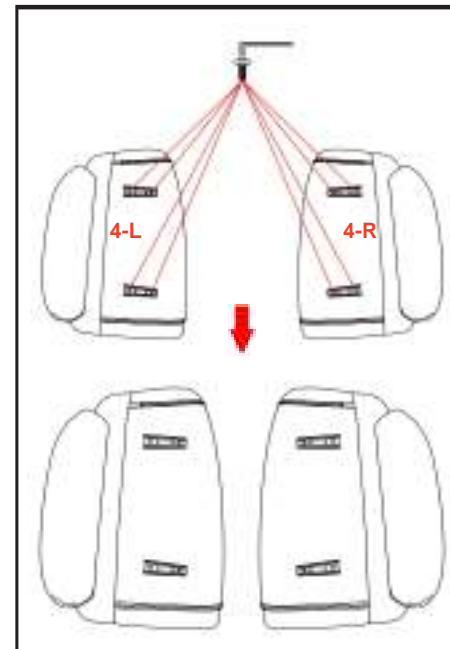


Please turn the seatbase over and Find the components: PART 5/3-R/3- L



Open the vacuum bags and let them sit for 20 minutes to allow them to return to their natural shape.
 Note: When using a knife or scissors to open the packaging, be careful not to damage the product.

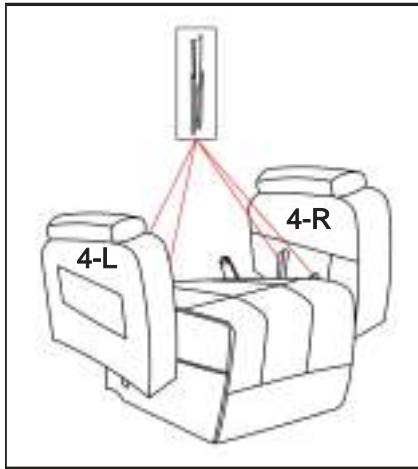
Armrest Assembly



01

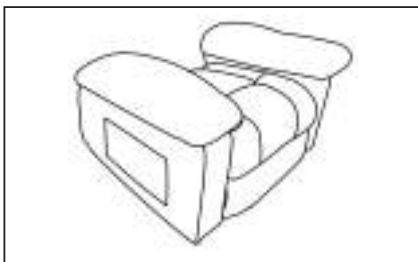
Use screws to secure the hardware(7) on the **4L/4R** armrest and tighten with a wrench.

Armrest Assembly



02

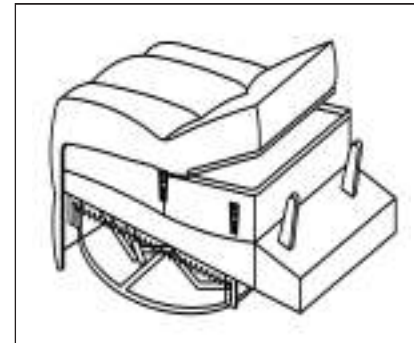
Align the hardware on the armrest with the pins on the seat, and push down to install the armrest on the seat;



03

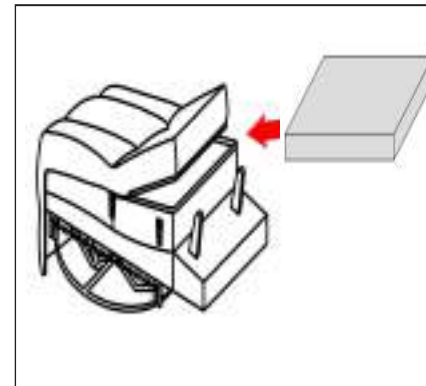
The installation operation is the same on the other side.

Seating Assembly



01

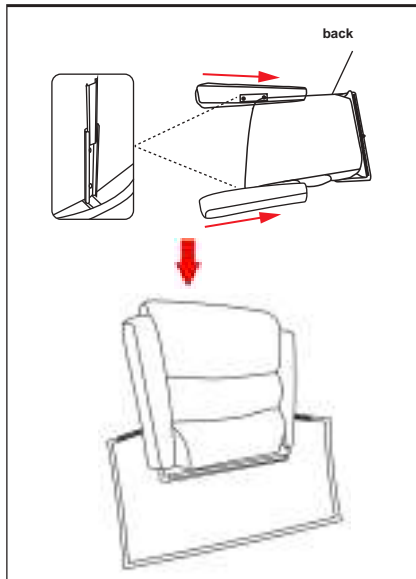
Unzip the zipper at the rear end of the seat cover.



02

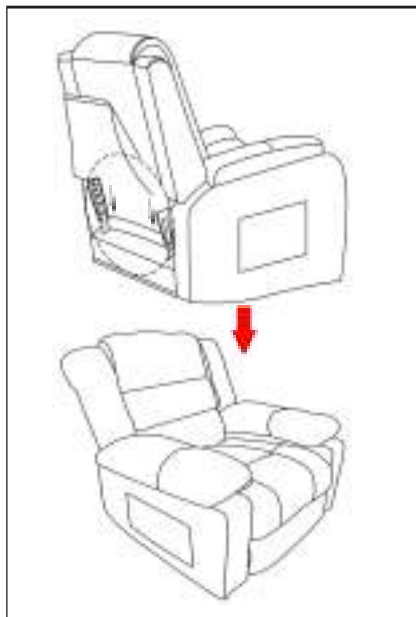
Place sponge bag 5 in sofa cushion soft pack 2 and sew the zipper together

Sofa Assembly



01 Align the hardware of part **3-R/3-L** with the pins on the back of the backrest to assemble;

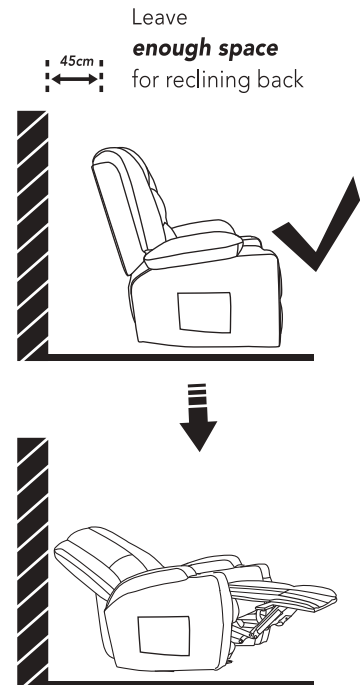
Assemble the other side in the same way;



02 Align the pins of the backrest with the pins of the seat, and press downward to assemble the backrest and seat; Try shaking the backrest after installation, if one side wobbles up and down, it is not fully assembled.

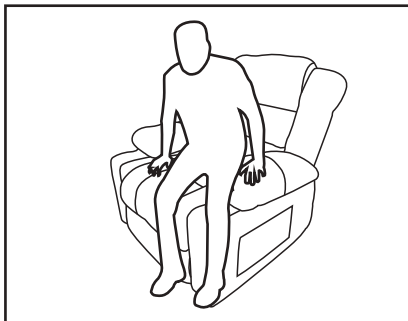
Please make sure to hear a 'click' sound

USAGE



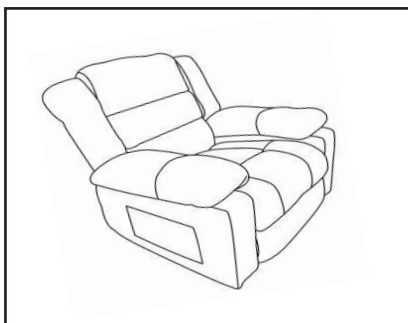
The recliner should be placed 45cm away from the wall, and the reclining function can be used normally.

PROPER USAGE



01 Steps to safely stand up from your Recliner Chair

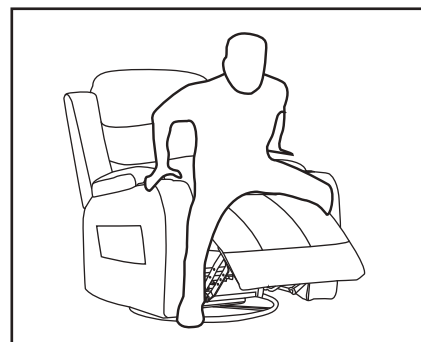
1. Place your feet firmly on the ground
2. Distribute the weight of the chair evenly between the arms
3. Stand up slowly from an upright position



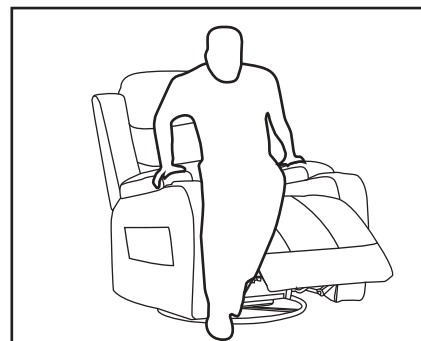
02 NOTE: AVOID EXCESSIVE SHAKING; IT POSES A DANGER

*Fabrics will fade or discolor in direct sunlight, please minimize direct sunlight to extend the life of the furniture.

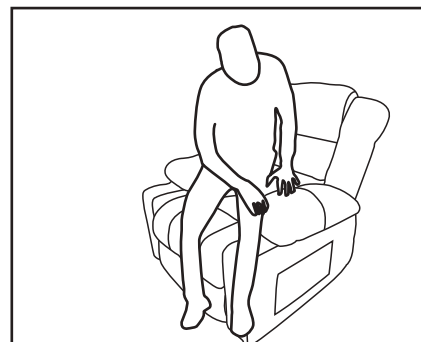
IMPROPER USAGE



01 DO NOT stand up when the footrest is in the upright position.

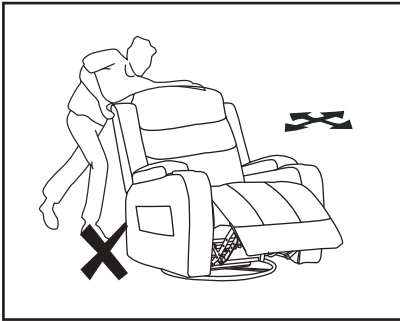


02 DO NOT stand up from your recliner chair with uneven weight.



03 DO NOT stand up from your recliner chair with only one arm.

IMPROPER USAGE



04 Please handle with care as the product contains moving parts.

* Only move the recliner when it is in the 'upright' or 'closed' position. Never attempt to move the recliner when it is in any of the reclining positions. Always use the arms to move the Recliner-DO NOT use the backrest or backrest ear parts.

WARRANTY

So glad you have completed the assembly and can enjoy it. If you are satisfied with our products, thank you for showing your favored massage recliner to your around.

Our products come with a 2-month warranty, you can feel free to contact us at any time.

Methods:

If you choose Amazon, going to your Amazon order detail page Order>sold by>contact seller (guaranteed response within 24 hours)

If you choose other platform, please contact us by:

Email:service@wyidaseat.com(Please indicate the shopping platform you are using and the platform order number, we will reply to you within 24 hours).

AFTER-SALE POLICY

1.For return reason:

Wrong purchase, bought by mistake, no longer needed, doesn't meet expectation, a size smaller than expectation, customer need to cover the return shipping fee.

2.For cancel order:

Customer needs to pay for shipping fee and carrier handle fee if the item has been shipped out. For change address: customer needs to pay for extra shippingfee and carrier handle fee if the item has been shipped out.

3.Customer Service:

Any problem with the product or shipping issue, please feel free to contac us, we will try our best to serve and help.

Dear Customer,

Thank you for choosing us.

For safe use, please read this manual before installation, and keep it for after use. Please feel free to email us if you have any concerns about our products. We'll reply within 24 hours.

The following are the things you need to pay attention to so that we can provide you with services when you encounter problems during the installation and use of the product:

- When the product is damaged due to courier problems, please contact our customer service in time for verification.
- We will rectify the issue as soon as possible;
- We provide a 7-day no-reason return service (note that the returned product will not affect the secondary sales);

We offer product explanations, installation instructions, product maintenance and maintenance methods.

If you feel satisfied with our product and service,

- Please set our store as your favorites;
- Please recommend our products to your friends;
- Please and leave us your purchase experience in our store or product page.

Feedback or reviews from you will greatly help us offer better services to players around the world.

Best regards

Avoid using sharp objects such as a knife to cut open packing as you may accidentally damage the upholstery.

E-mail: service@wyidaseat.com

www.wyidaseat.com