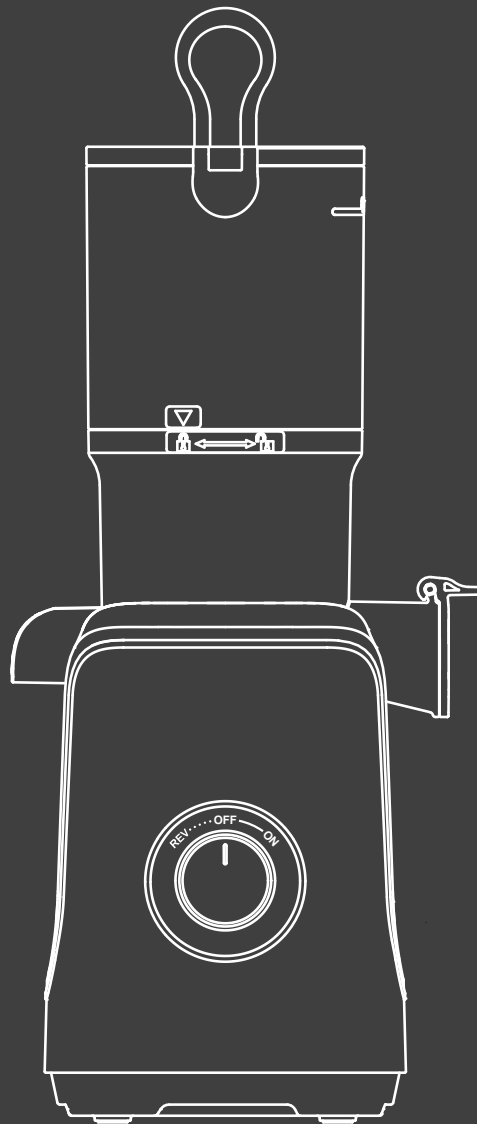


# Slow Masticating Juicer

## Instruction Manual



AM-ZZJ56MZ



✉ HJ-Customer-Service@outlook.com

☎ (909)637-7665 | (909)637-7593

EST 9:00AM--17:00PM

# TABLE OF CONTENTS

1. TECHNICAL SPECIFICATIONS .....	1
2. IMPORTANT PRECAUTIONS .....	1
3. PRODUCT DIAGRAM .....	2
4. USING FOR THE FIRST TIME .....	3
5. ASSEMBLY INSTRUCTION .....	3
6. OPERATION INSTRUCTION .....	4
7. DISASSEMBLY INSTRUCTION .....	5
8. CLEANING & MAINTENANCE .....	6
9. STORAGE .....	7
10. USEFUL TIPS .....	8
11. TROUBLESHOOTING .....	9

# 1. TECHNICAL SPECIFICATIONS

Rated Voltage/Frequency	120V~, 60Hz;
Rated Power	200W
Juice Cup Capacity	800ml
Pulp Cup Capacity	700ml
Dimensions	7.48*7.01*15.67 IN
Net Weight	6.58 LBS

## IMPORTANT:

1. The unit is designed for household use only.
2. Commercial users will not obtain the regular warranty as stated in the warranty card.
3. This is not a toy. Please do not let children play with it or use it.

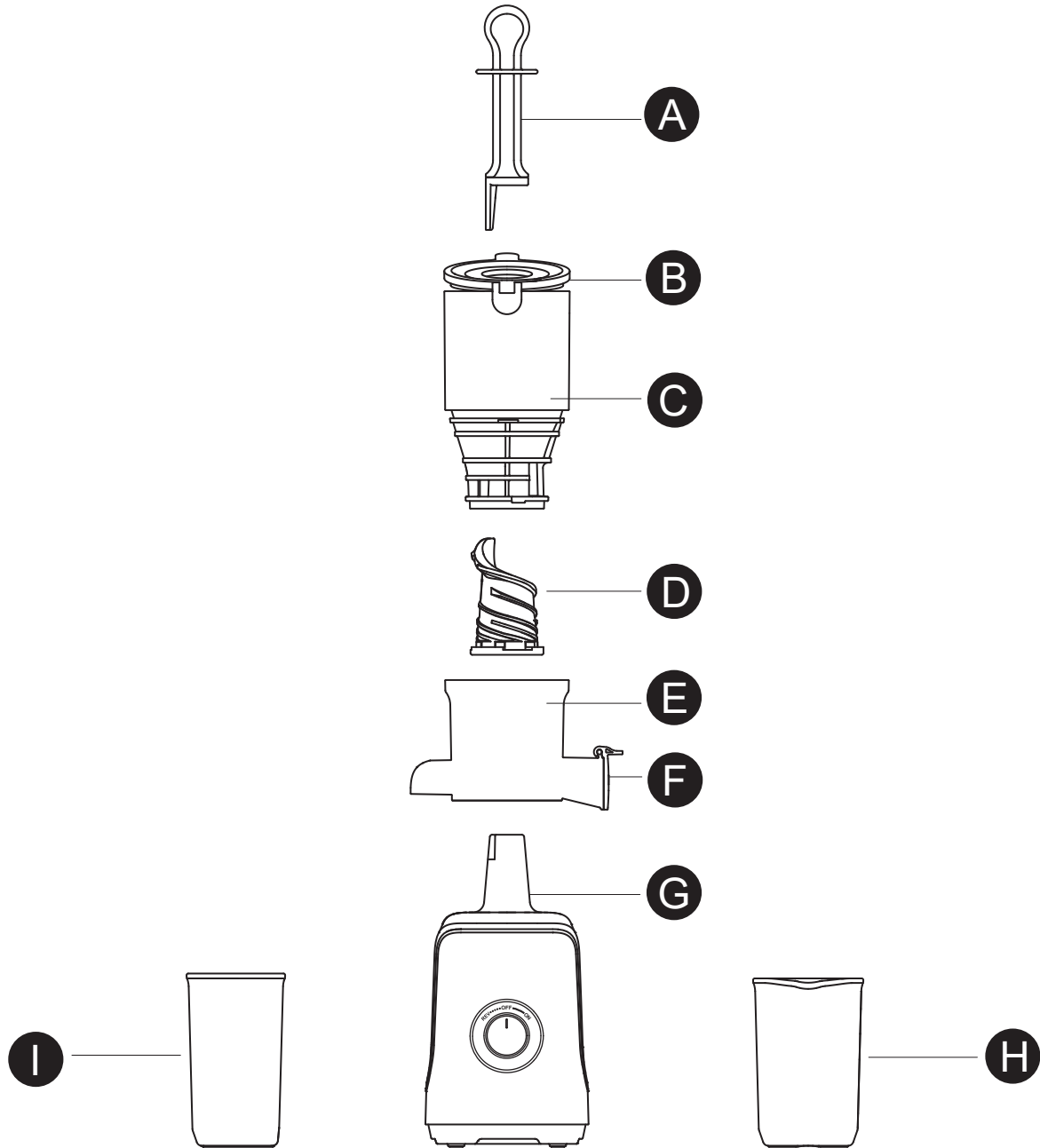
# 2. IMPORTANT PRECAUTIONS

1. Make sure the electricity supply is suitable for this unit.
2. This unit is intended for household use only. Do not use the unit outdoors or for any other purpose.
3. Use the unit only as described in this manual.
4. To prevent electric shock, do not immerse the unit, cord set or plug in water.
5. The unit is not a toy and is not to be used by children. Close supervision is required when it is used near children.
6. Always unplug the unit when not in use, during assembly or disassembly, and before cleaning.
7. Do not operate the unit continuously for more than 20 minutes.
8. Do not operate the unit when empty or overloaded.
9. Do not touch or move any moving parts during operation of the unit.
10. Do not use fingers, spoons or chopsticks, or any other objects to push fruits or vegetables into the chute. Use only the pusher provided.
11. Do not open the unit when it is operating.
12. Do not place the unit near heat sources (such as a heated oven or hot surfaces) or explosives.
13. Operate the unit only on a flat, stable surface.
14. Do not let the power cord hang over the edge of a table or any other surface.
15. Always grasp the plug firmly to disconnect it from the power outlet.
16. If any part of the product is damaged (especially the power cord), stop using immediately and contact our after-sales service.
17. This unit is not intended for use by persons (including children) with reduced physical, sensory, or mental capabilities, or lack of experience and knowledge, unless they have been given supervision or instruction concerning the use of the unit by a person responsible for their safety.

## NOTE:

To avoid hazard of electric shock, unplug the unit when not in use or before cleaning.  
If the power cord is damaged, stop using immediately and contact our after-sales service.

### 3. PRODUCT DIAGRAM



A	Pusher	F	Juice Outlet Cover
B	Cup Cover	G	Power Base
C	Feed Chute	H	Juice Cup
D	Squeezing Auger	I	Pulp Cup
E	Juicer Cup		

## 4. USING FOR THE FIRST TIME

1. Remove all packaging materials, plastic bags and labels.
2. Make sure the electricity supply is 120V~60Hz.
3. Clean the feed chute/squeezing auger/juice cup/pulp cup/ juicer cup/ pusher with soapy water. Then rinse and dry them thoroughly.

**NOTE : DO NOT IMMERSE THE POWER BASE IN WATER.**

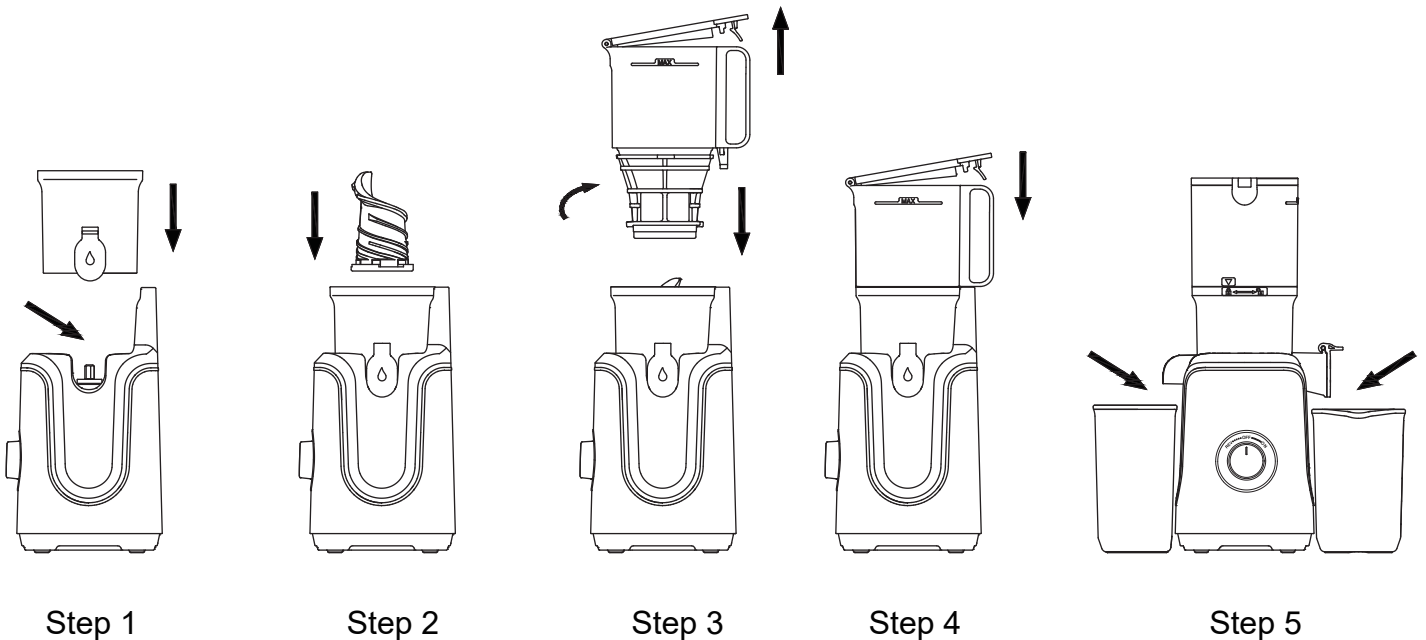
4. Assemble the parts according to the assembly instruction.
5. Connect the power cord to the power source.

**The unit is ready to use now.**

## 5. ASSEMBLY INSTRUCTION

Please make sure the unit is not plugged and the power button is turned to “OFF” before assembling.

1. Position the Juicer Cup on the Power Base aligning the position of the spouts and the axle.
2. Push the Squeezing Auger firmly into the center of the cup, making sure that it touches down the bottom, or else the cover cannot be closed.
3. Open the Cup Cover then position the Feed Chute on the cup to align the ▲ with the “🔒” and twist it clockwise until it clicks the safety lock. Please make sure that the ▲ is align with the “🔒”.
4. Close the cover.
5. Place the Juice Cup and the Pulp Cup under the relevant spouts.



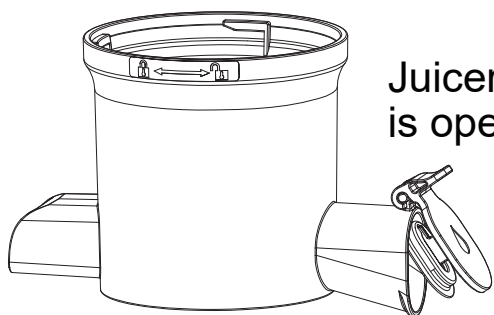
## 6. OPERATION INSTRUCTION

1. Connect the unit to power.
2. Check that all parts are assembled correctly.
3. Make sure the machine is in the “OFF” position.
4. Make sure the juice and pulp cups are in position.
5. Make sure the juice outlet cover is closed.
6. Prepare the fruits or vegetables by cutting them into strips (max. 5cm x 3cm) or cubes (max. 5cm x 5cm).
7. Place the fruit strips/cubes into the feed chute.
8. Rotate the power knob to the “ON” setting to start the juicer.
9. Push the food down with the pusher only.
10. If food stuck inside the cup, rotate the power knob to “REV” (reverse) function instantly.

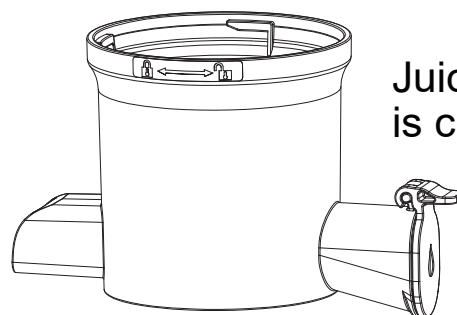
### NOTE:

Please do not use the juicer continuously longer than 20 minutes.

## Open & Close of Juice Outlet Cover



Juicer outlet  
is opened.



Juicer outlet  
is closed.

## BENEFITS OF JUICE OUTLET COVER :

1. To stop dripping at the end of juicing.
2. To mix the juice with different fruits and vegetables.

## USAGE TIPS :

1. Remove hard pits or seeds before operating to prevent damage to the squeezing auger.
2. For mixed juices, begin with harder fruit and then add softer ones.
3. Let the juicer run for 30 seconds after the last ingredient has been fed.

## ATTENTION :

The juicer is not suitable for processing very hard, fibrous or starchy fruits and vegetables. Examples include sugar cane, avocado, bananas, figs, mango, papaya, dragon fruit, strawberry, grape without seeds, etc. They will clog up the stainless steel sieve.

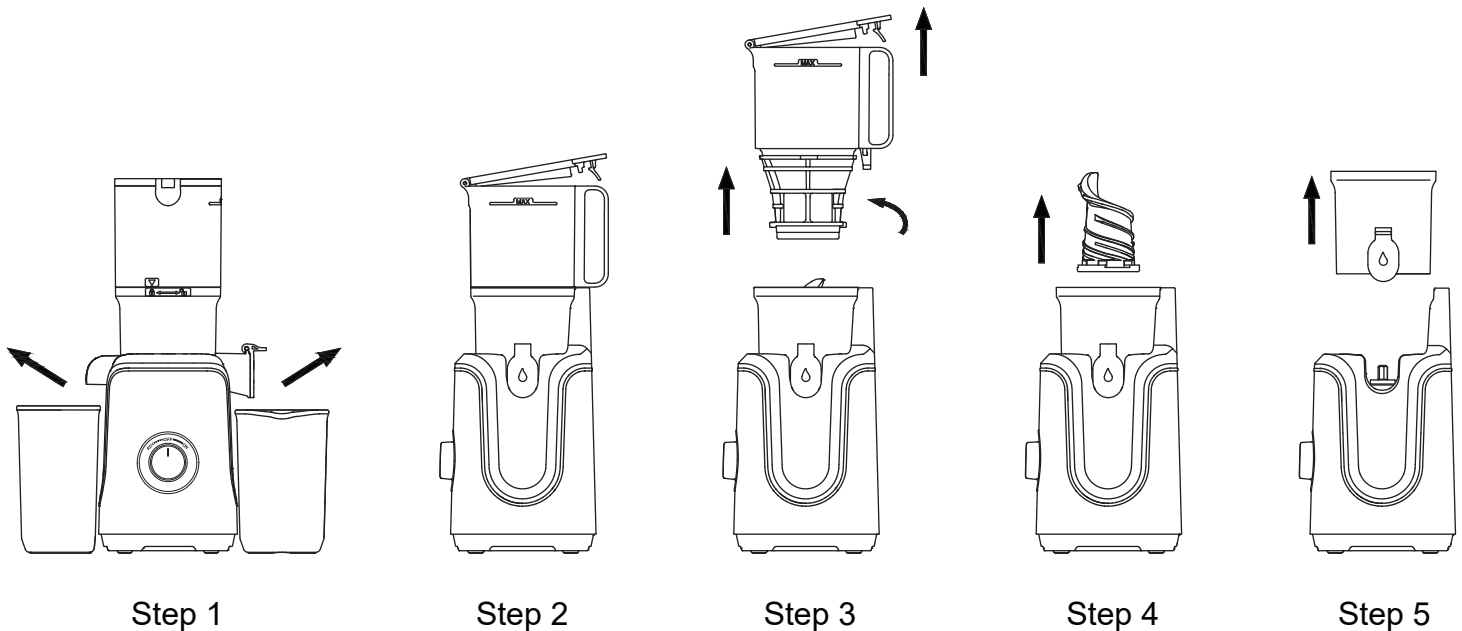
## 7. DISASSEMBLY INSTRUCTION

### NOTE:

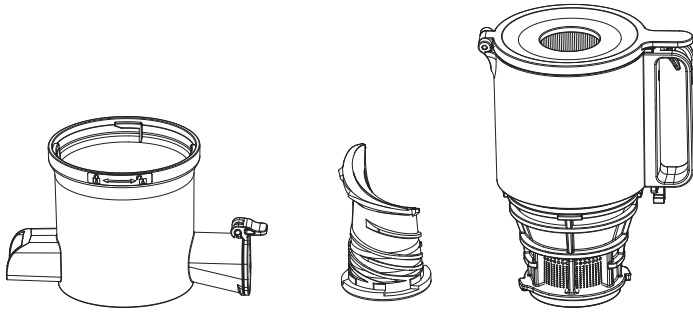
If the juicer gets overheated, it will turn off automatically to protect the machine.  
In this case, turn the juicer to "OFF". Wait 1 hour to let the juicer cool down before use.

To disassemble the unit after use and before cleaning, please turn the juicer to "OFF" and disconnect the juicer from power source. Then follow the steps below :

1. Remove the Juice and Pulp Cups.
2. Open the Cover.
3. Keep the cover open and remove the Feed Chute by anti-clockwise twist until the ▲ aligns with the "🔒".
4. Remove the Squeezing Auger by pulling it out upward. If it is hard to remove, swing gently and pull.
5. Remove the Juicer Cup by lifting it upward vertically.



## 8. CLEANING & MAINTENANCE



### IMPORTANT:

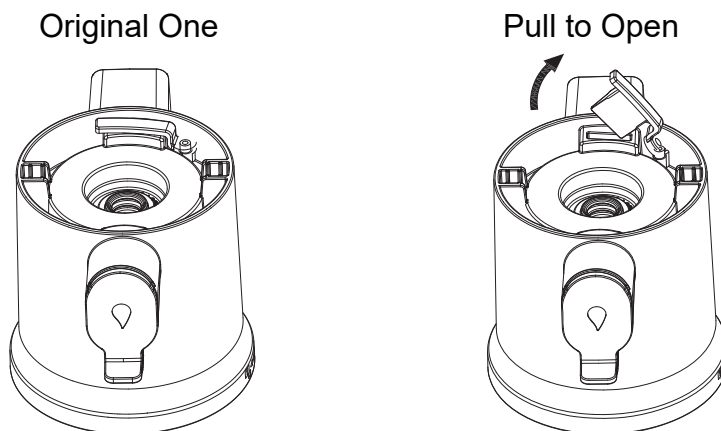
Please wash the juicing parts immediately after each use. Otherwise, the pulp might stick tightly on the Juicer Cup & Squeezing Auger, which will affect the disassembly, cleaning and juicing performance.

1. Switch off the machine and disassemble the juicer.
2. Wash the disassembled parts with water. If the meshes are clogged with pulp, please use the provided cleaning brush to remove it.

### Attention:

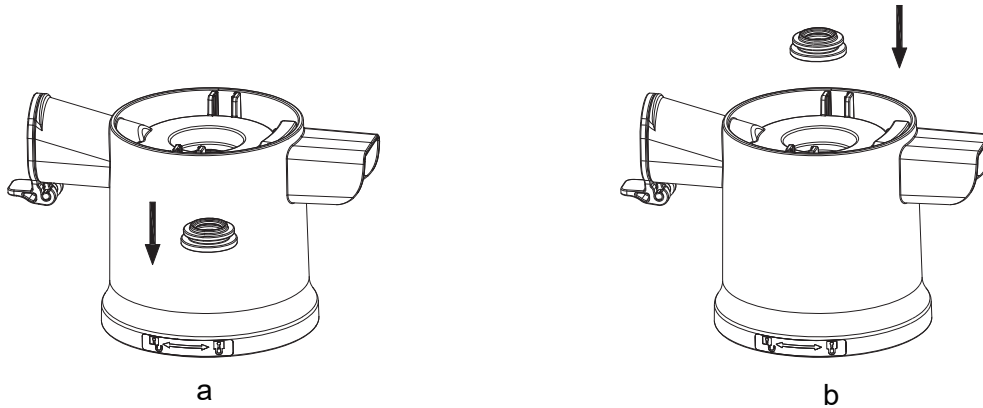
- Do not use iron wire brush, abrasive or sharp object tool to clean the unit.
- Please do not use water above 40°C.

3. If there are any residues remained in the mouth of the pulp spout, please pull out the silicone valve and clean it with running water.



**Note: Press the silicone valve to close it properly and tightly after cleaning.**

4. To clean the seal ring in the center of the Juicer Cup, please follow the steps as below:
  - a. Turn the Juicer Cup upside down for easier handling. Push the seal ring out with your thumb and clean it with water.
  - b. After Cleaning, please put it back to the center hole. The small ribbed surface should be face upward. Make sure the groove of the seal ring fit well in the Juicer Cup.



5. Do not put the Power Base into water for cleaning. Wipe it with damp cloth only.
6. After cleaning, please dry the parts thoroughly and store them in a dry, cool place.

## 9. STORAGE

1. Follow the cleaning and maintenance instructions before storage.
2. Coil the power cord set.
3. Keep the unit out of the reach of children.
4. Store the unit and its accessories in a dry, cool place.

### NOTE:

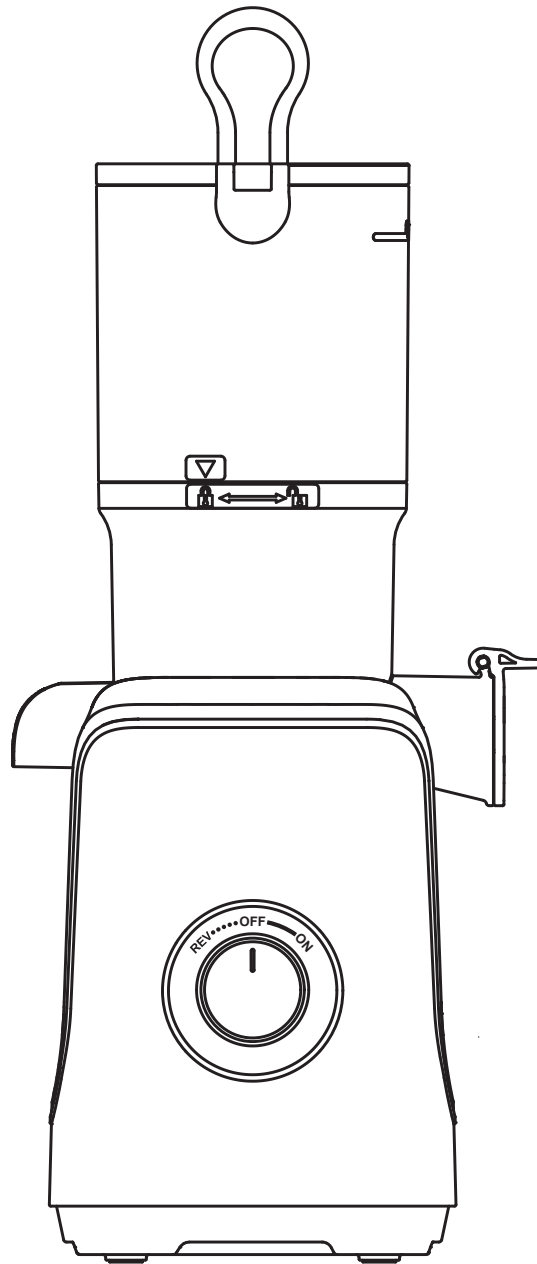
Please ensure the unit and its parts are dry before storage.

## 10. USEFUL TIPS

Item	Warning	Reason
1	Not for ice cube.	The ice cube is too hard. It may damage the squeezing parts.
2	Fibrous food must be cut into strips (5-10 cm long) or into small cubes (3 x 3 cm).	Fibrous food is easy to wind and block the spout.
3	The peel and pits/seeds must be removed from fruit before use.	The hard pits or seeds may damage the squeezing parts. The peel may block the spout.
4	Do not use other objects as a pusher.	It may damage the juicer and cause injury.
5	Each juicing cycle must be no longer than 20 minutes.	Working over time may damage the motor.
6	Never put the spoons, chopsticks into the opening of the Chute, the juice and pulp spouts.	It may damage the juicer.

# 11. TROUBLESHOOTING

Problem	Cause	Solution
The juicer stops running suddenly.	Too many ingredients put into the juicer.	Rotate the power knob to "REV" position instantly to make the ingredients return upwards. If the machine still stops running, please clean it before use.
	Hard fruits or vegetables have not been cut into small pieces.	Hard fruits and vegetables have not (such as carrots) cut into thin strips or small cubes before operating.
The juice yield is low or juice flows out of the main body.	The Cup and the silicone valve are not installed properly.	Please re-install the Cup and silicone valve according to the assembly instruction.
Abnormal noise.	Parts cause extrusion sound during squeezing.	The sound is caused by extrusion of fruits and vegetables, which is normal.
The Chute and Juicer Cup cannot be opened.	There is too much pulp inside the cup.	Rotate the power knob to "REV" to eject the pulp backward.
	Hard food is stuck inside.	Rotate the power knob to "REV" to eject the object backward .
	The pulp mess is stuck.	Pour water into the Chute overnight for easier handling.
The cup and its parts are dyed after use.	Parts are dyed by specific fruits or vegetables.	This is natural and unavoidable.



## Technical Support

(909)637-7665 | (909)637-7593

## Other Info

[HJ-Customer-Service@outlook.com](mailto:HJ-Customer-Service@outlook.com)

Thank you for choosing this product. We strive to provide you with the best quality products and services in the industry. Should you have any issues, please don't hesitate to contact us.