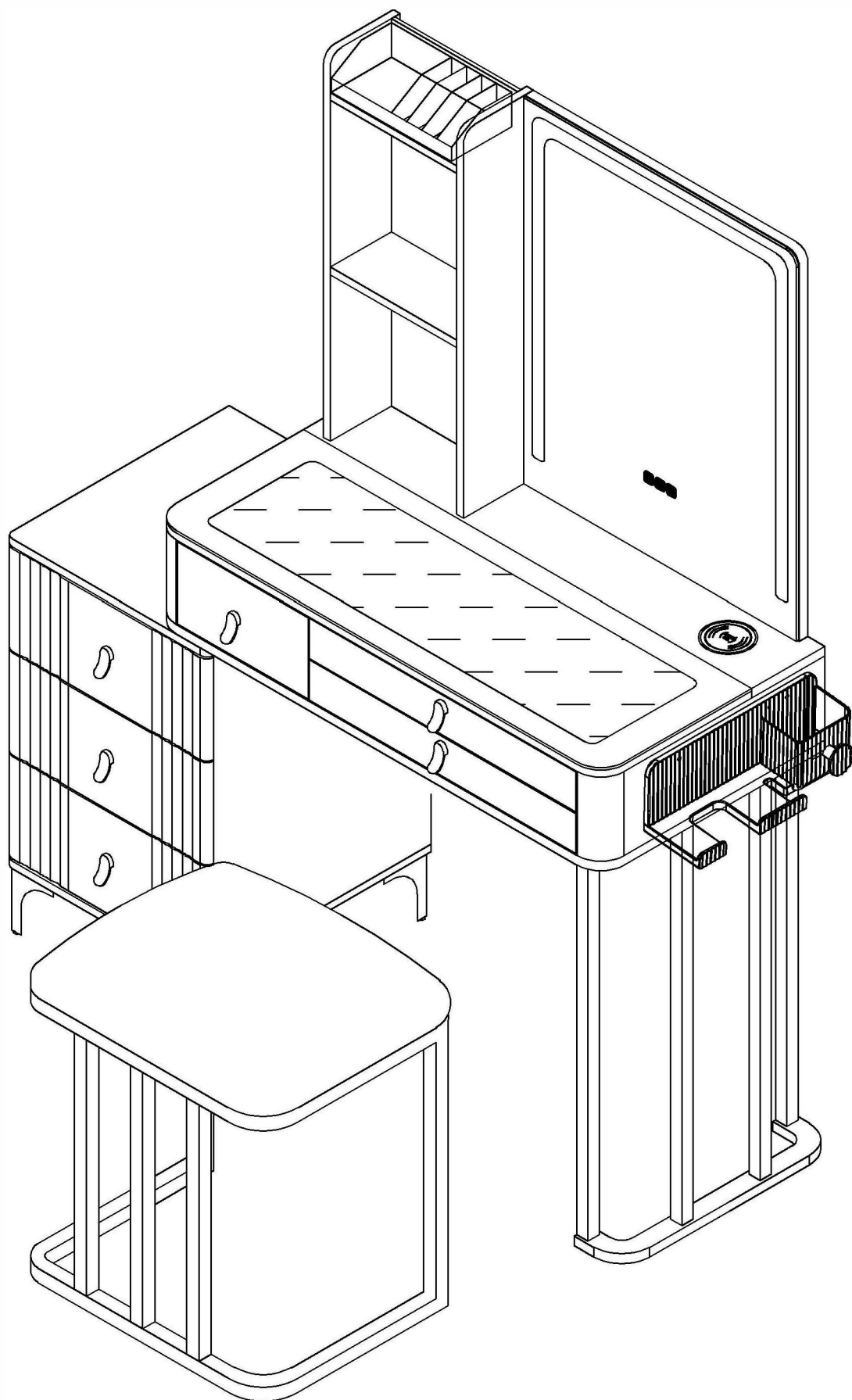
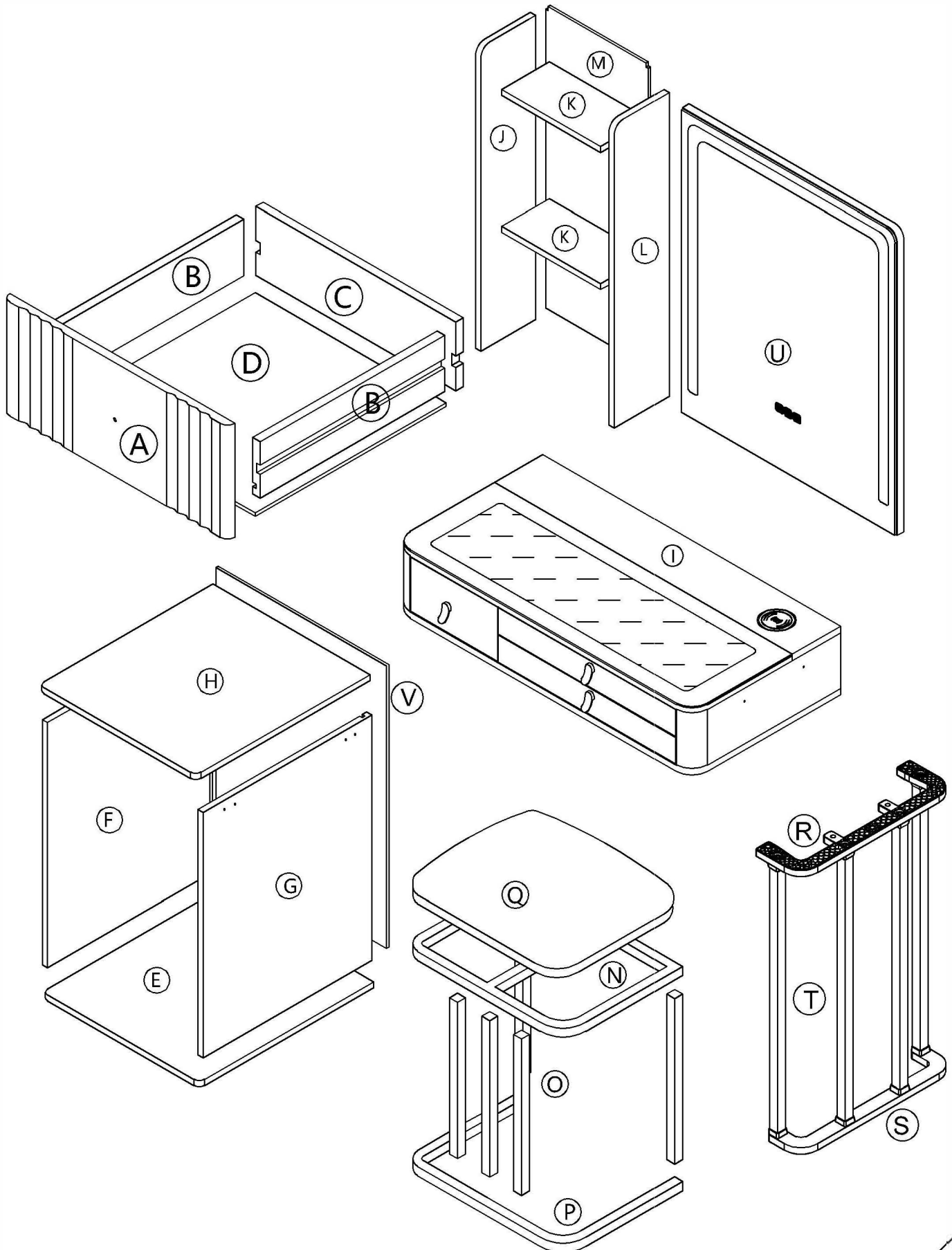


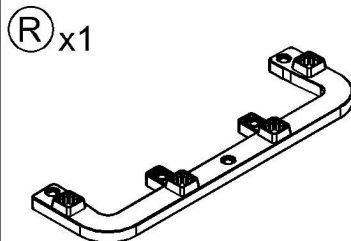
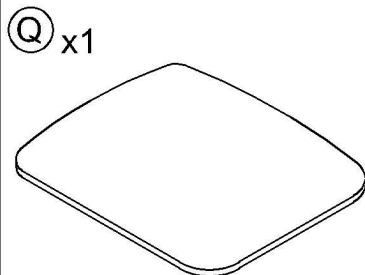
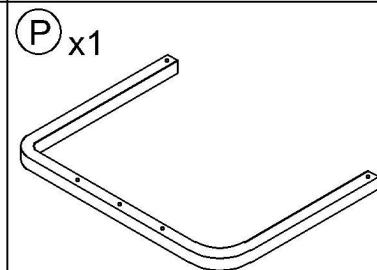
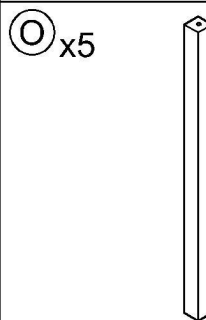
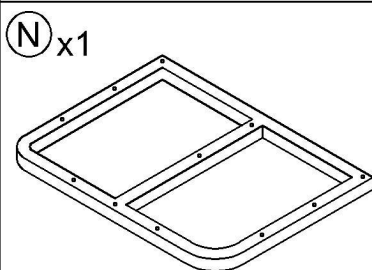
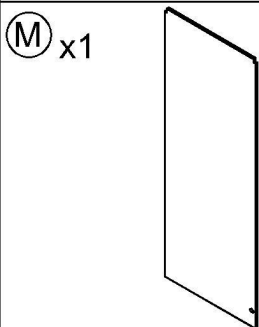
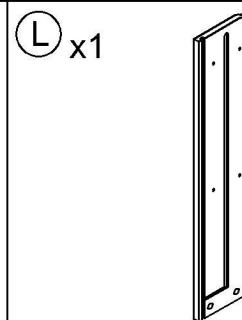
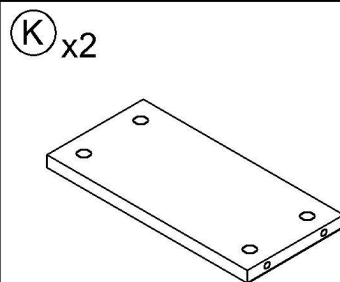
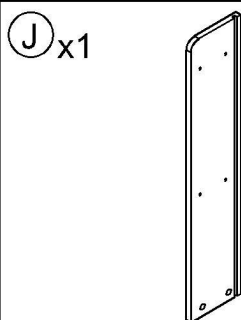
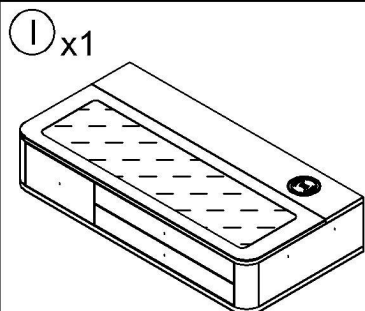
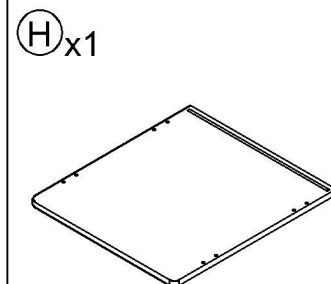
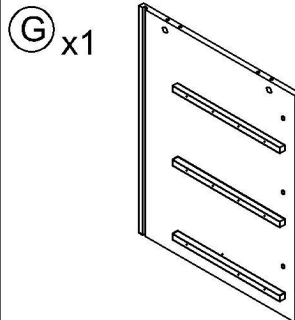
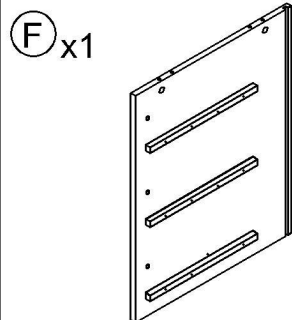
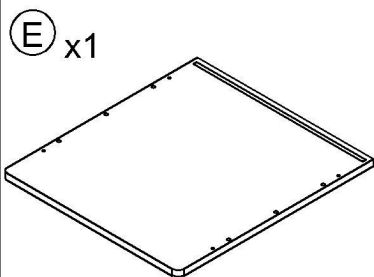
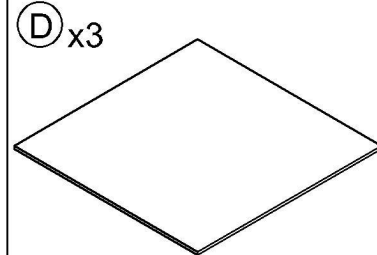
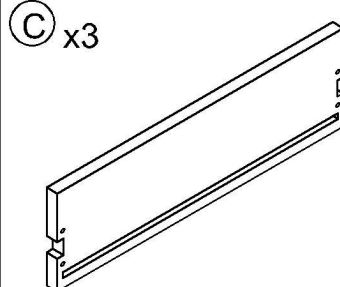
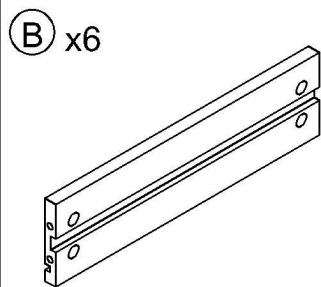
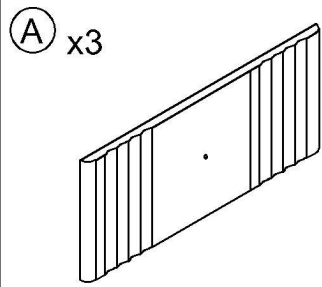
Vanity Table Manual



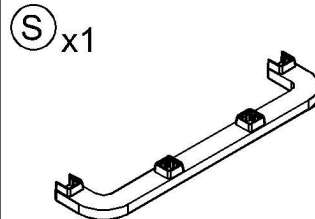
Vanity Table Manual



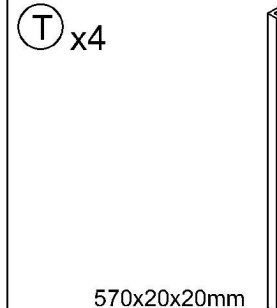
Hardware list



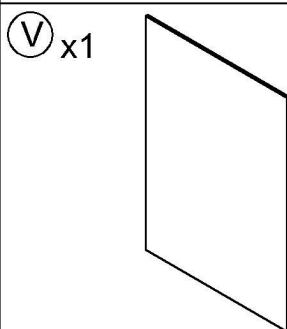
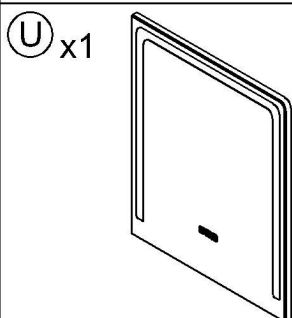
Upper bracket without rubber pad
















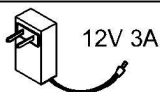




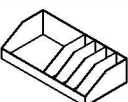




Lower bracket with rubber pad



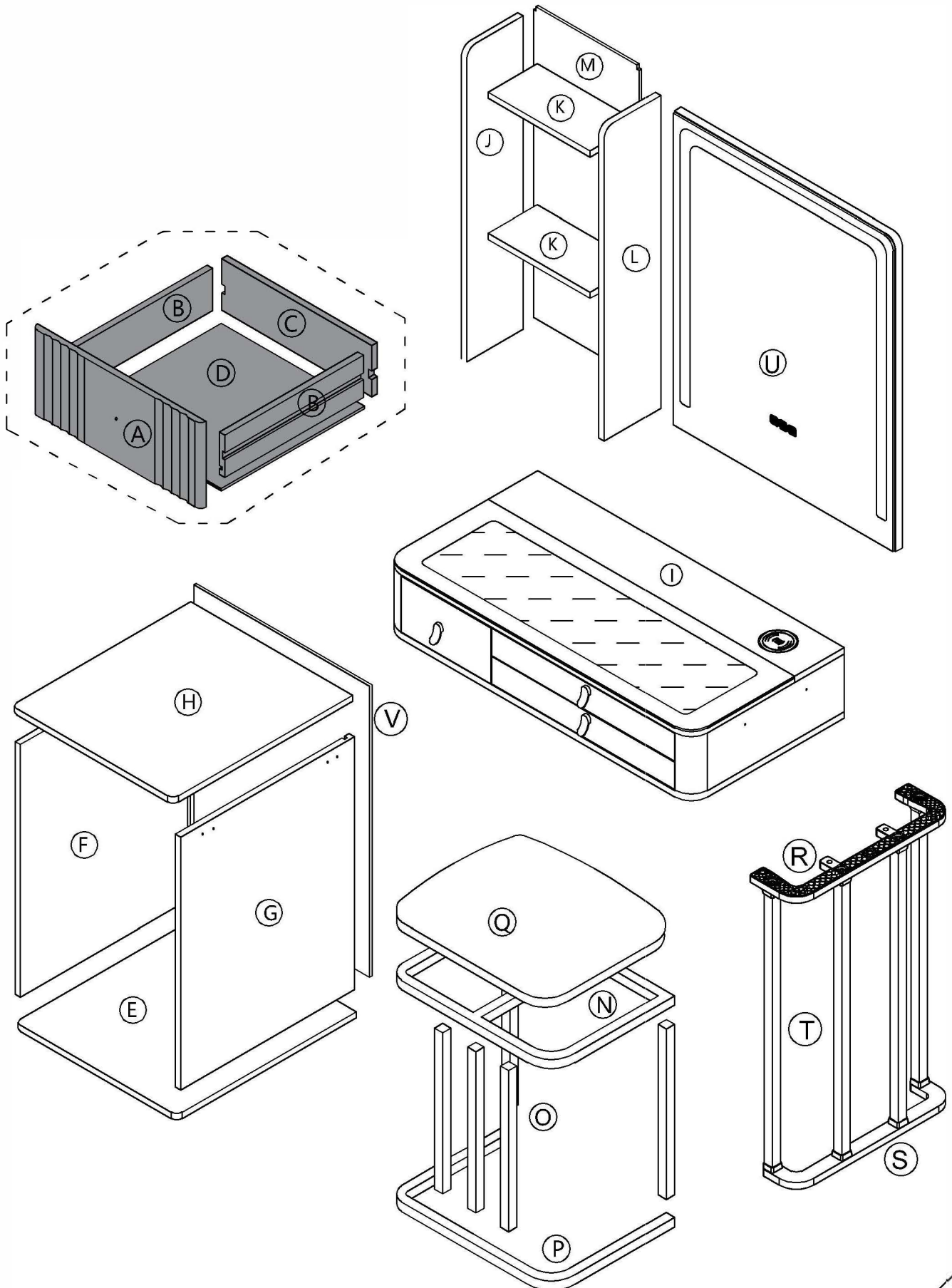
570x20x20mm



Accessories list

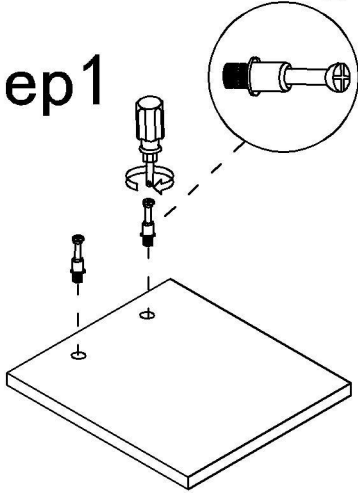
①		Two in one screw (6x28mm)	46 Pcs
②		Two in one nut (10x12mm)	46 Pcs
③		Drawer handles of metal & Hexagonal machine wire (4x16mm)	3 Pcs
④		Wood chipping (6x30mm)	10 Pcs
⑤		Countersunk head tapping screw (3.5x12mm)	20 Pcs
⑥		Iron gasket & Self tapping screw(3x10)	2 Pcs
⑧		Hexagonal machine wire (6x28mm)	25 Pcs
⑨		Protective sticker	4Pcs
⑩		Back plate buckle & Screw (3x16mm)	4 Pcs
⑪		Corner code(30x30x1.5)(3.5x12)	2 Pcs
⑫		Countersunk head tapping screw (4x45mm)	1 Pcs
⑬		anti-tipping tape	1 Pcs
⑭		Countersunk head tapping screw (4x16mm) & gasket	1 Pcs
⑮		The power adapter	1 Pcs
⑯		Cross screwdriver	1 Pcs
⑰		Cross machine wire (8x20mm)	6 Pcs
⑱		Hardware electroplating cabinet feet	4 Pcs
⑲		Acrylic hair dryer holder & Hexagonal machine wire (4x16mm)	1 Pcs
⑳		Brown acrylic lipstick grid	1 Pcs
㉑		power cord extension cord	1 Pcs
㉒		Drawer handles of metal & Hexagonal machine wire (4x25mm)	3 Pcs
㉓		Remote control	1 Pcs
㉔		Countersunk head tapping screw (4x25mm)	2 Pcs

Vanity Table Manual

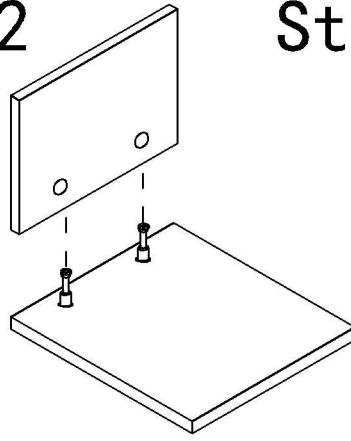


Use parts ① and ②

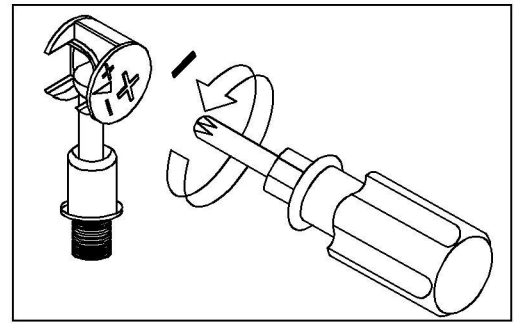
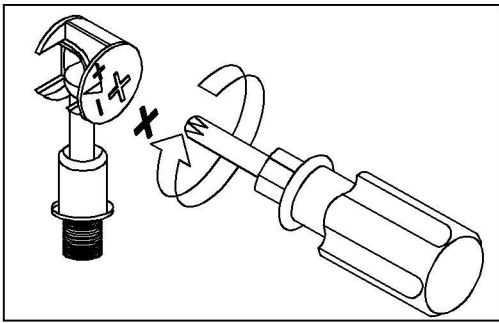
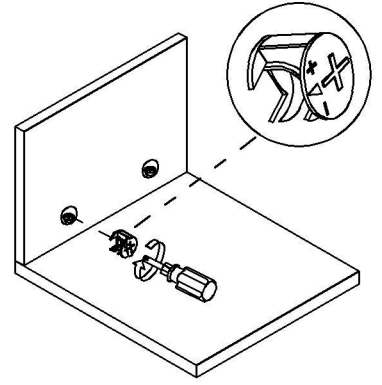
Step1



Step2



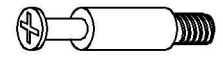
Step3



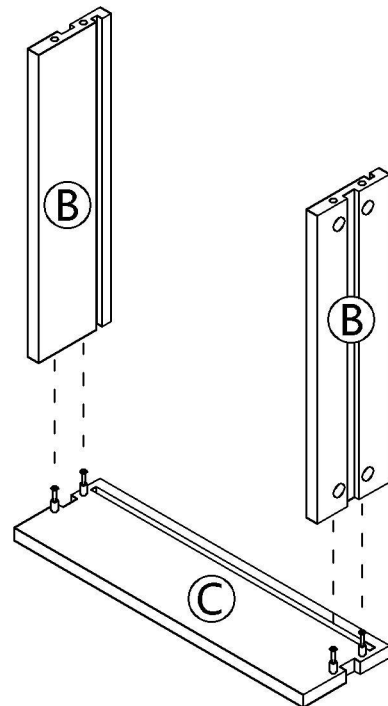
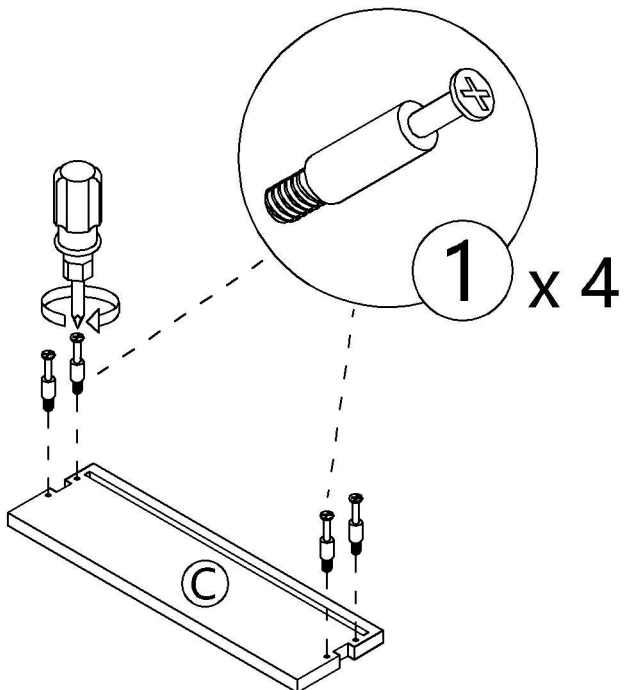
Use a screwdriver to lock in the direction of the "+" sign Disassemble along the direction of "-" sign

Step 1

1

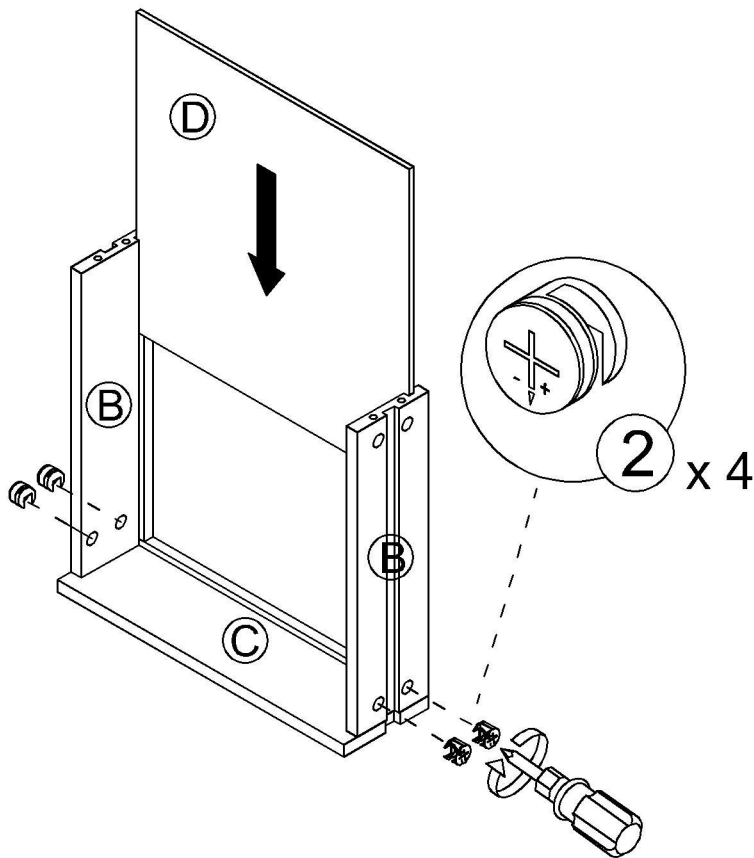


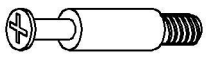

x 4

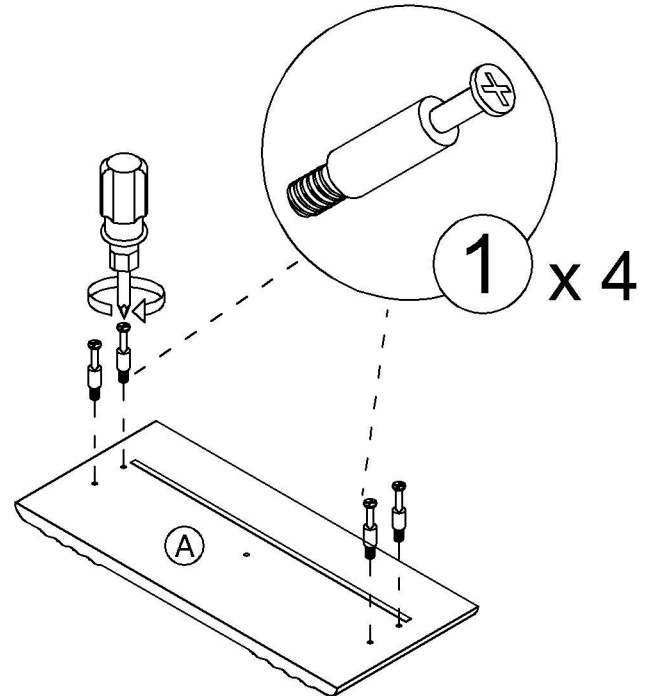


5

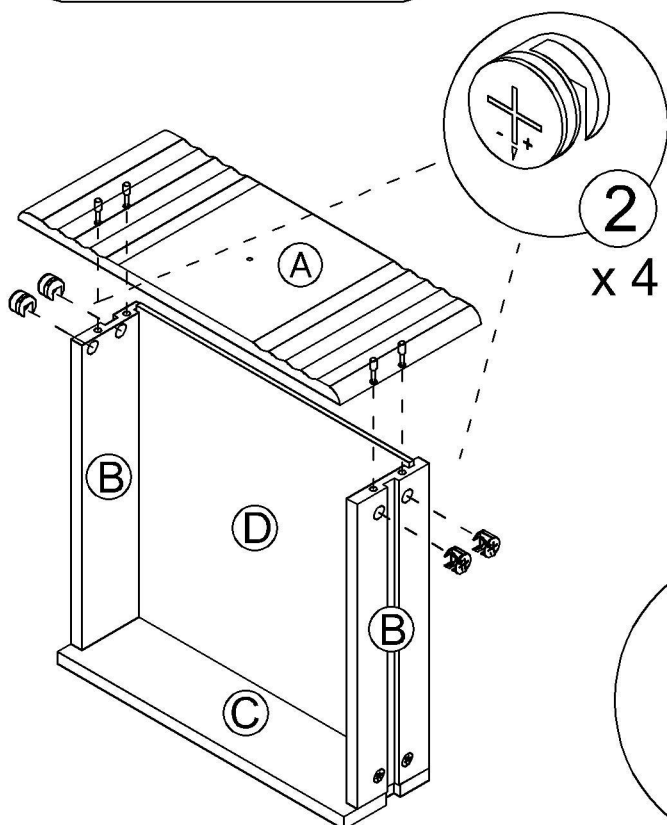
Step 2





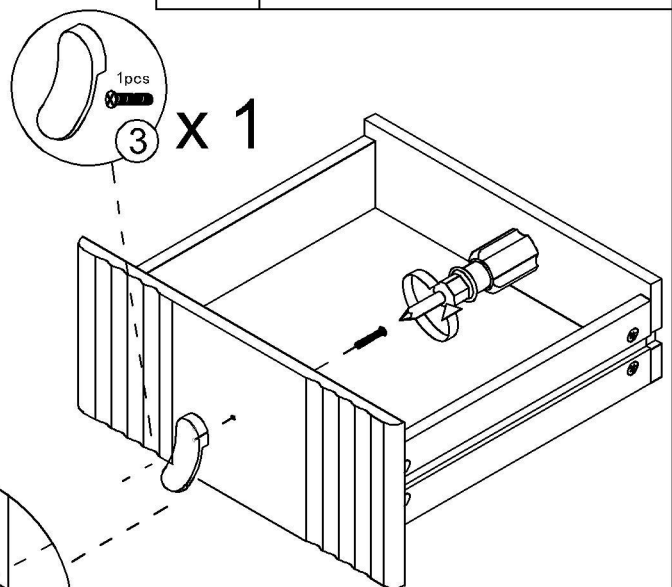
1		x 4
2		x 4



Step 3



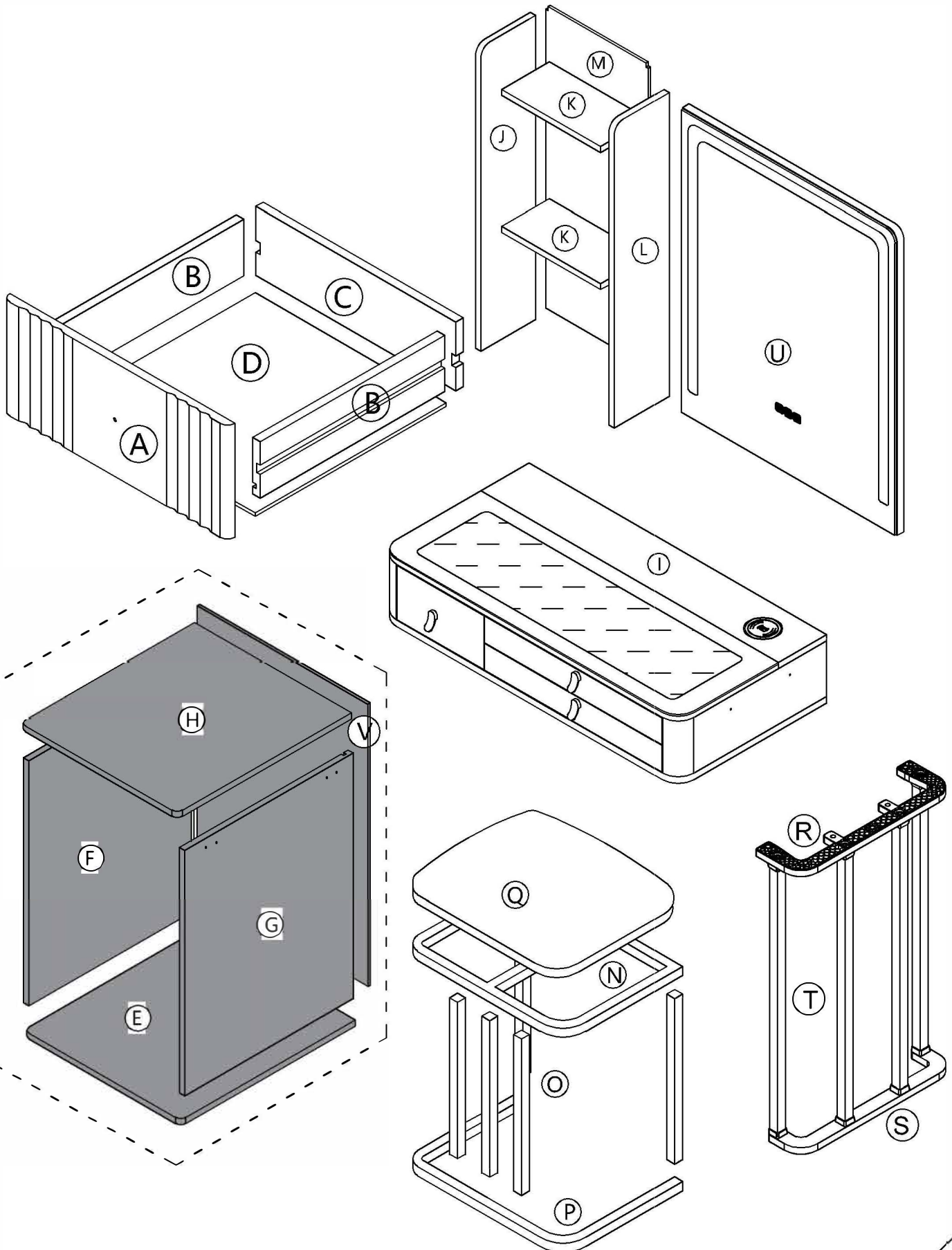
2		x 4
3		x 1



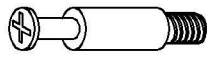
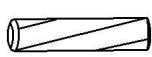
The second hole below the two drawer handles on the right is screwed

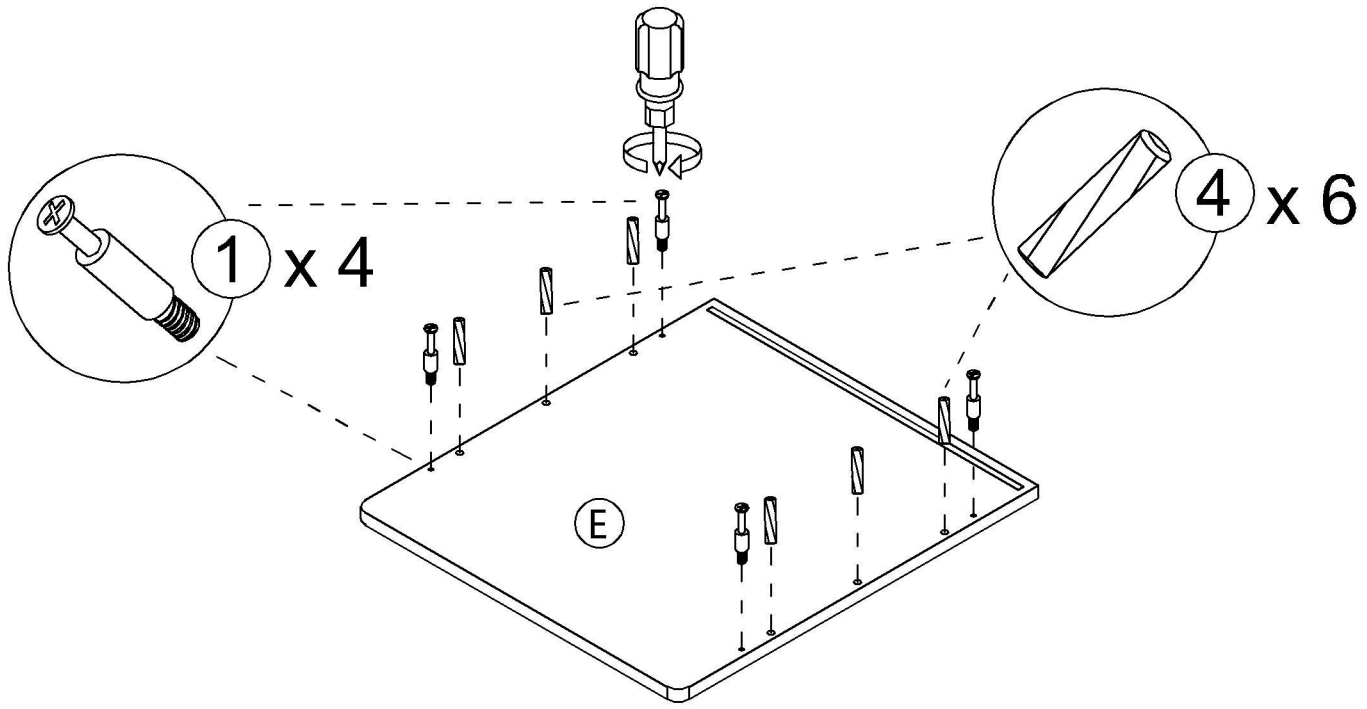
Repeat the first, second, and third steps three times.

Vanity Table Manual



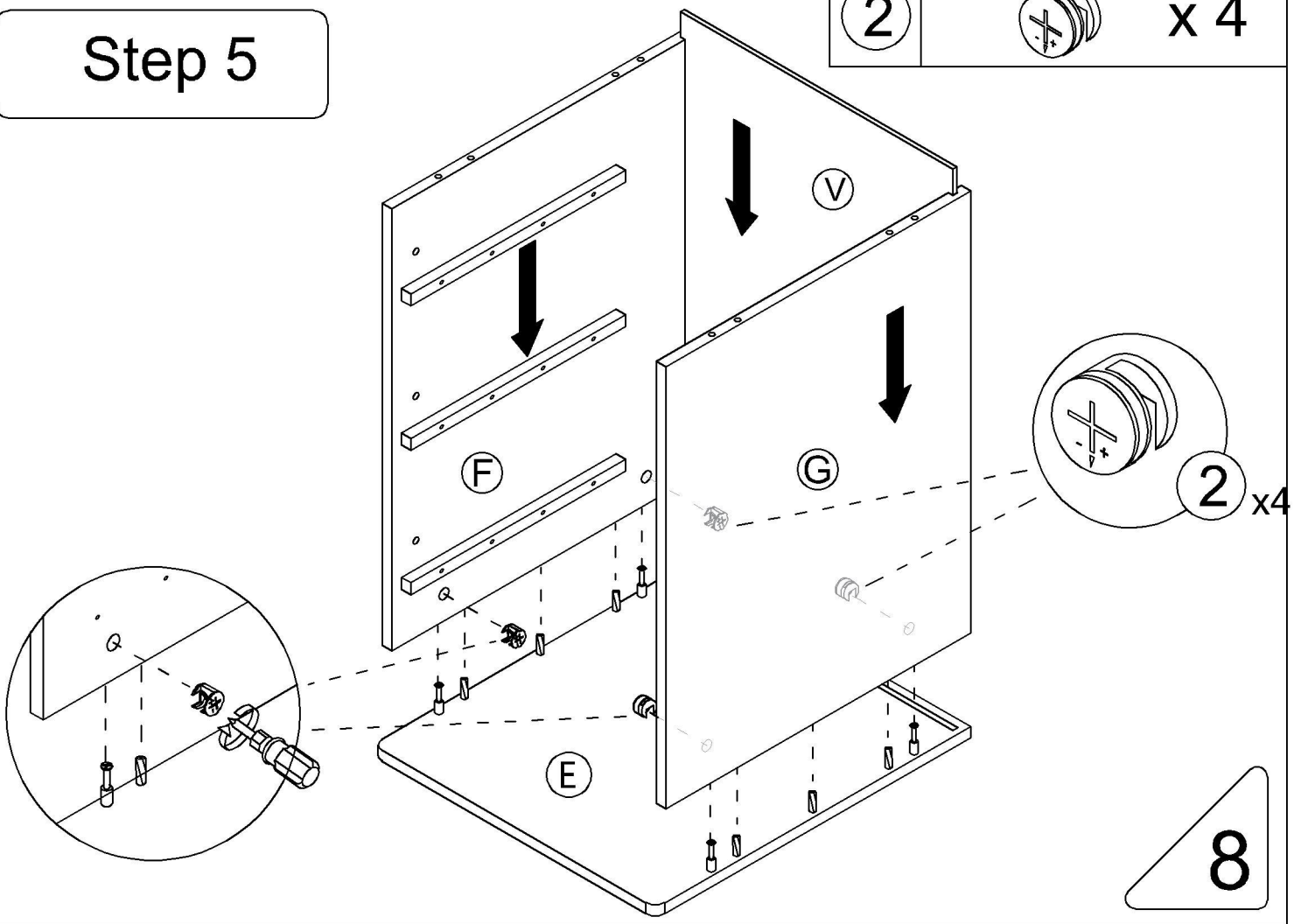
Step 4

1		x 4
4		x 6



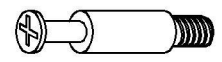
Step 5

2		x 4
---	---	-----

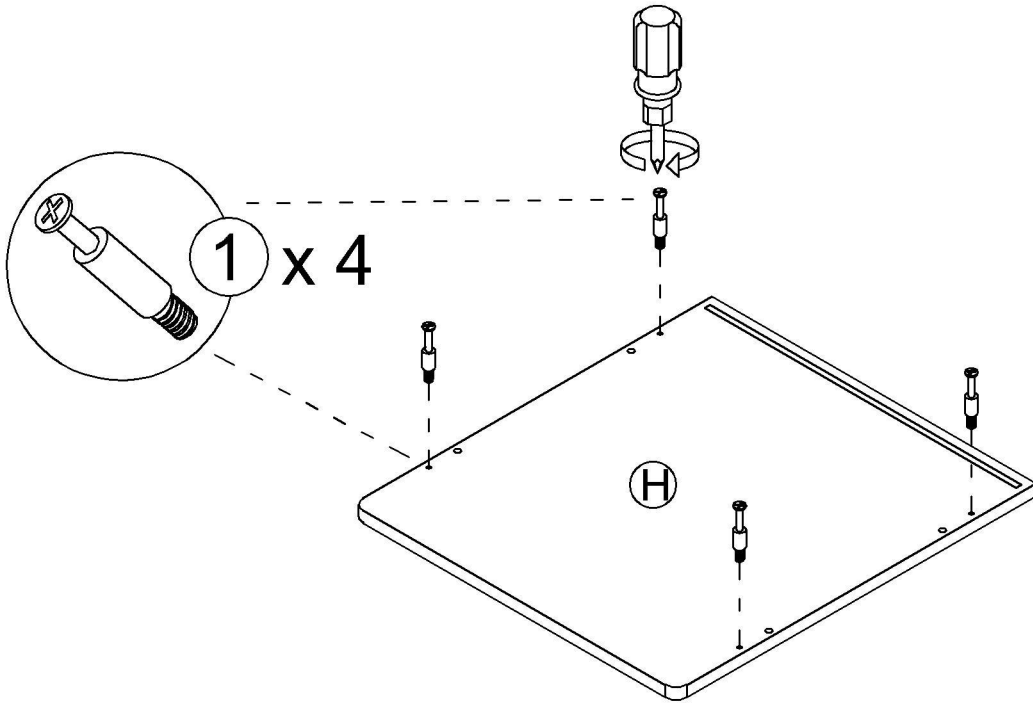


Step 6

1



x 4

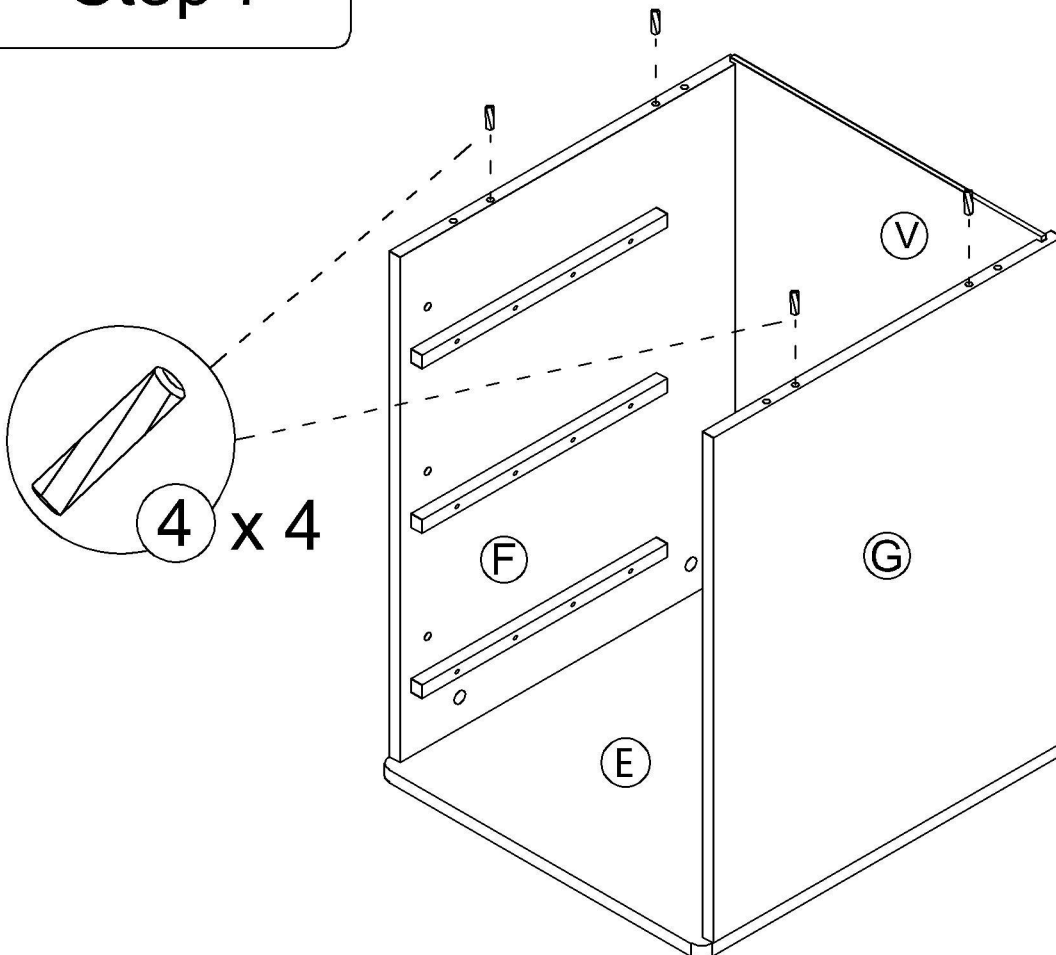


Step 7

4

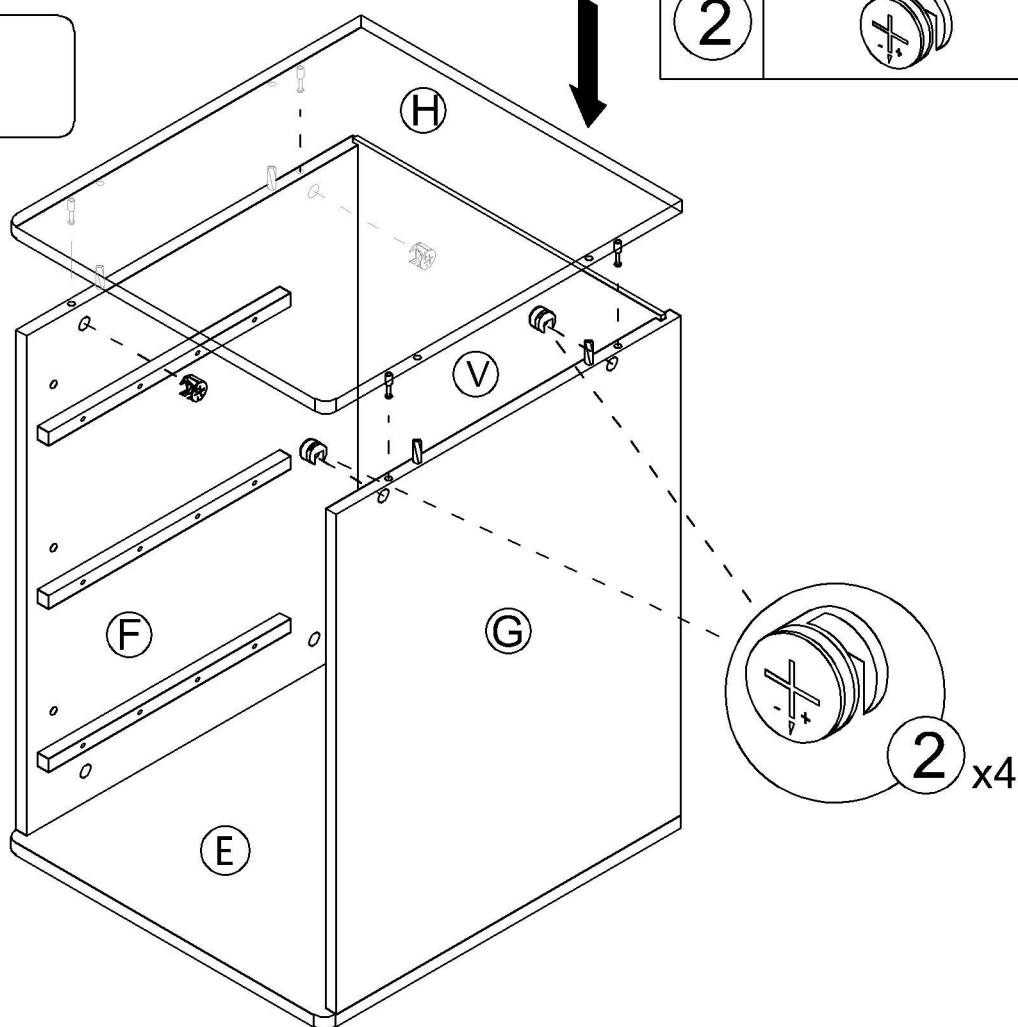


x 4



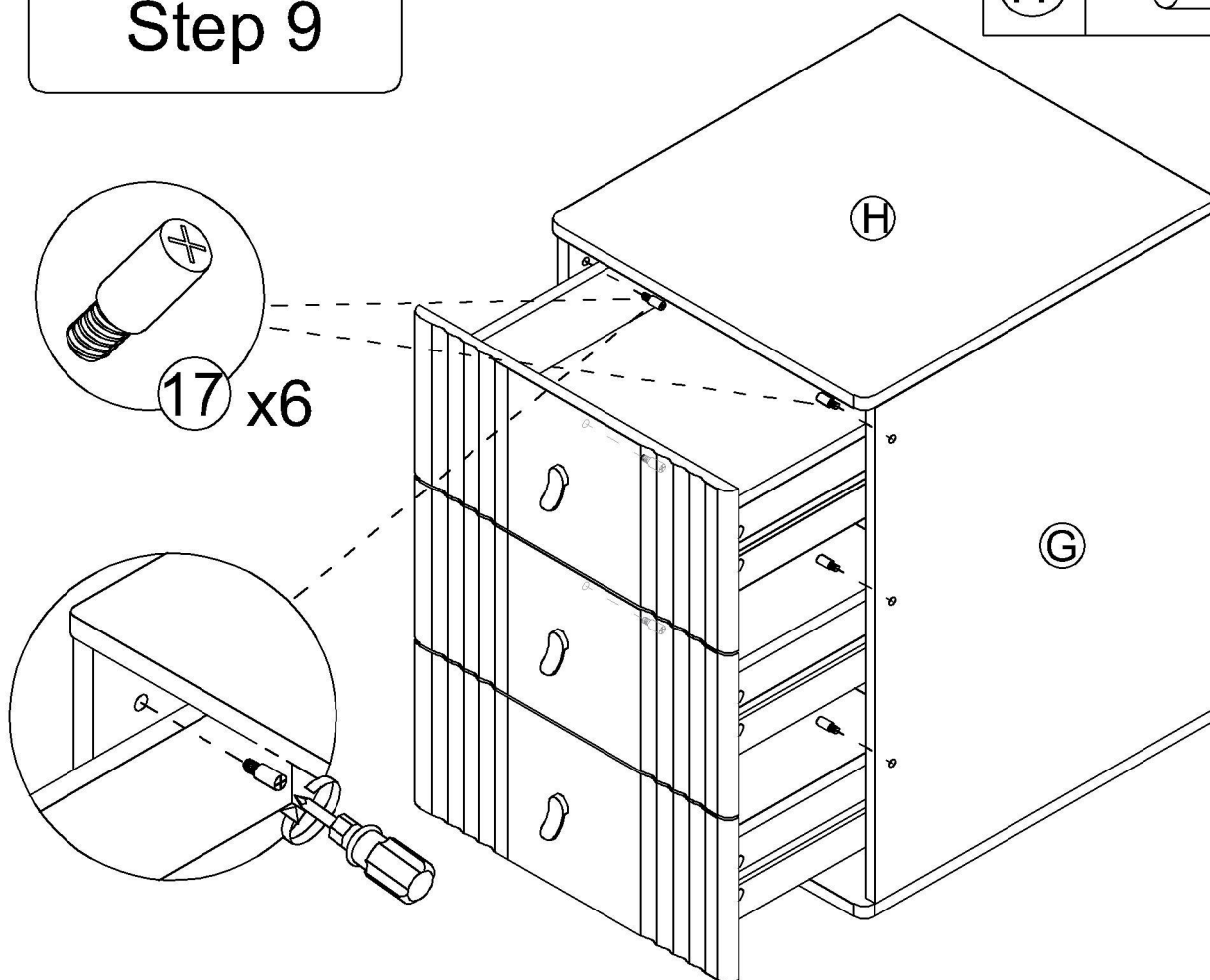
Step 8

2 x 4



Step 9

17 x 6

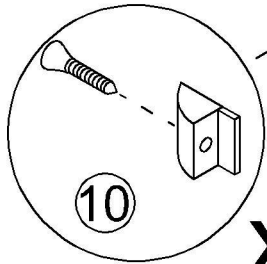


Step 10

10



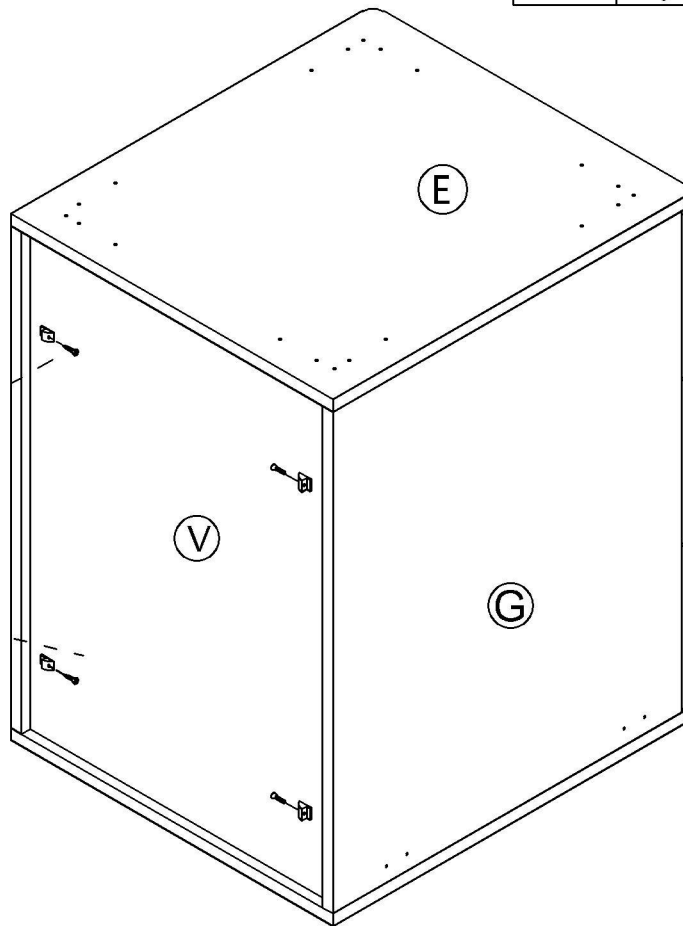
x 4



10

x4

3x16mm



Step 11

18

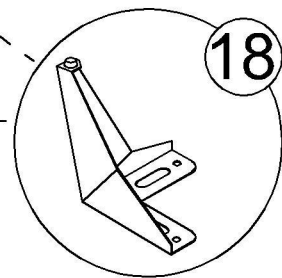
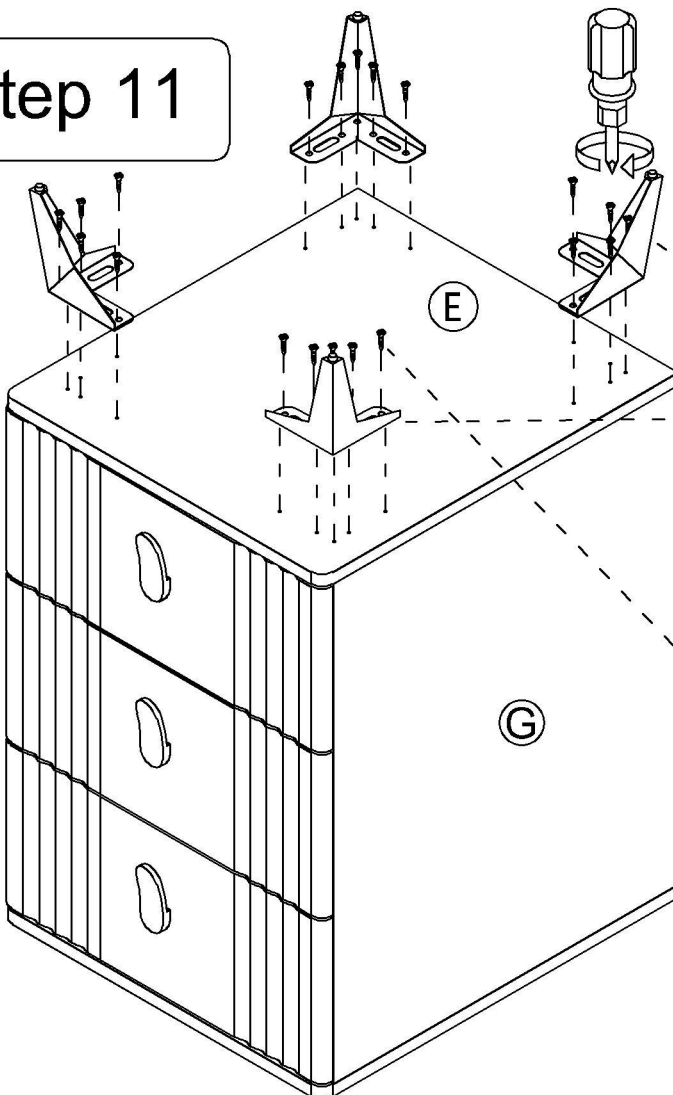


x 4

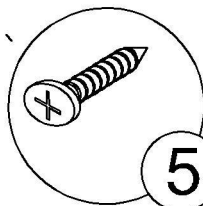
5



x 20

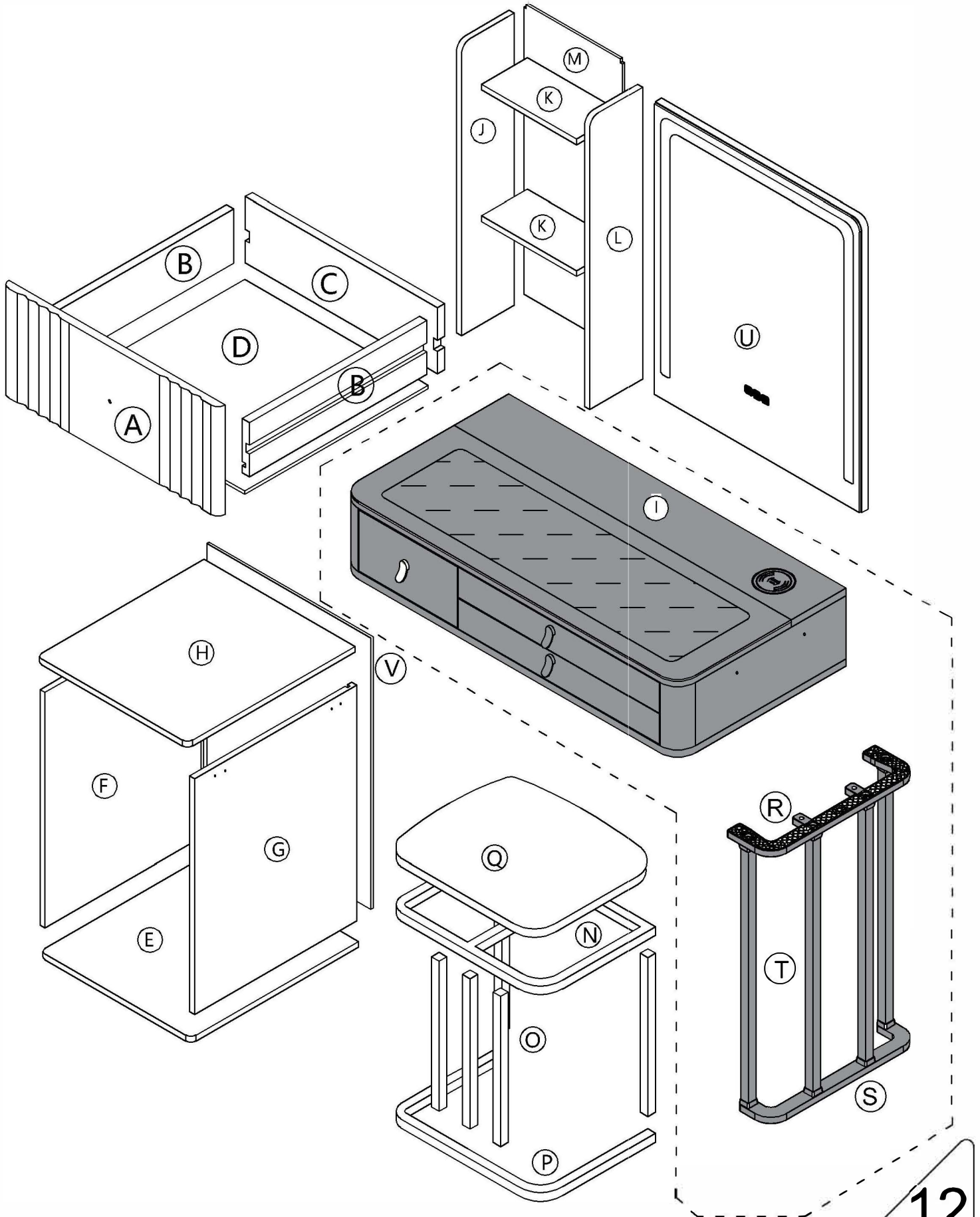


18 x 4




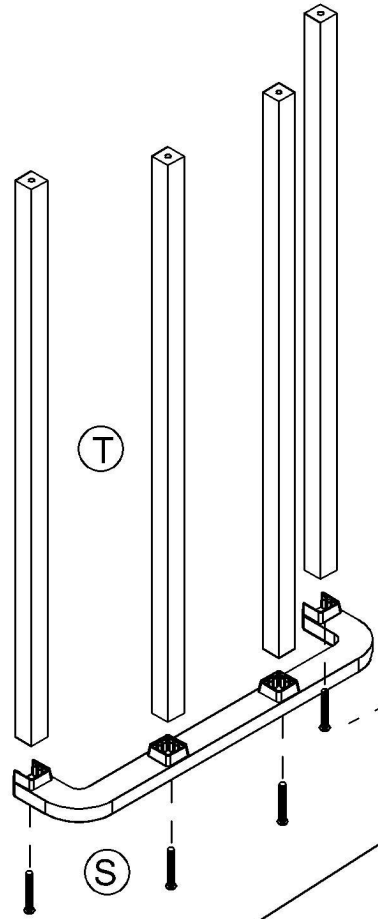
5 x 20

Vanity Table Manual

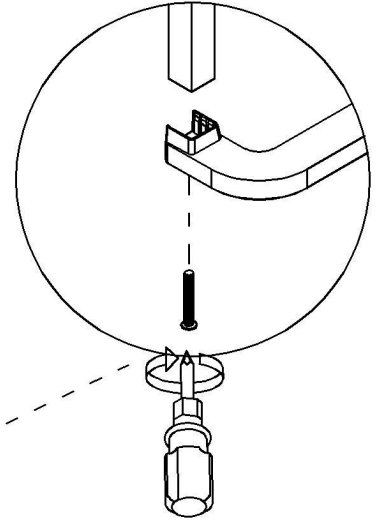


Step 12

8  x 4



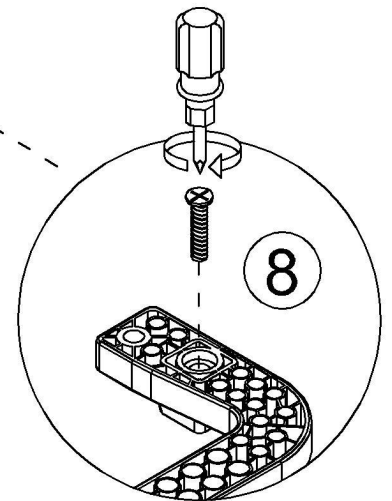
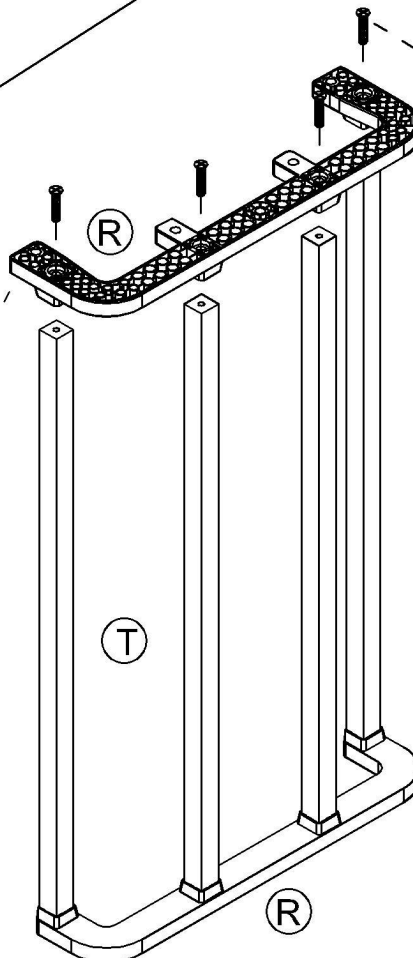
Install screws on the counterbore side



8  x 4



Step 13

The hole design is misaligned, after the screw is installed, if the screw is higher than the iron plate, it is wrong, and the R wrought iron strip needs to be reversed and reinstalled

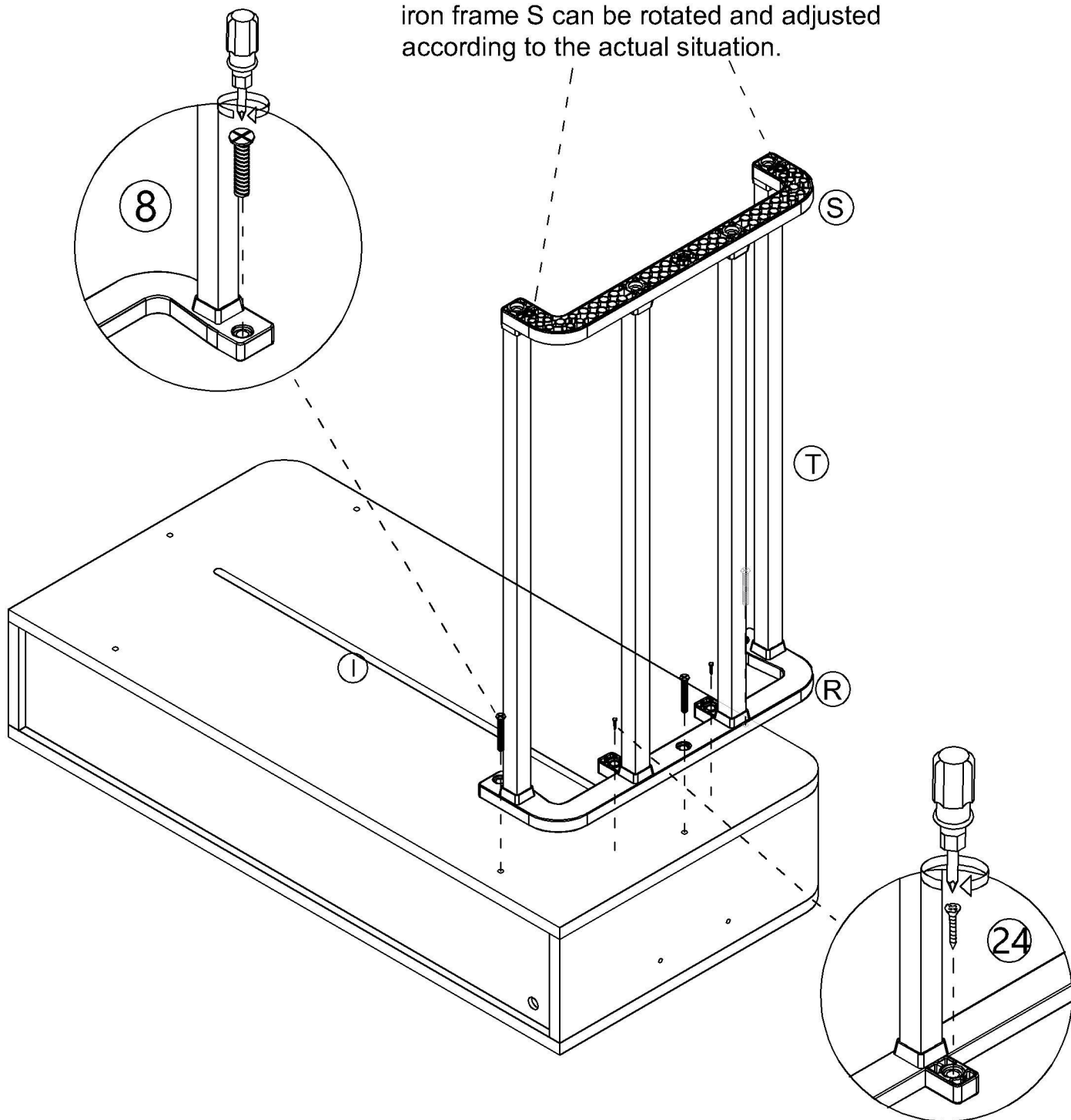


Install screws on the counterbore side

Step 14

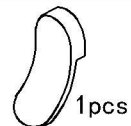
8		x 3
24		x 2

Note that the foot pad at the bottom of the iron frame S can be rotated and adjusted according to the actual situation.

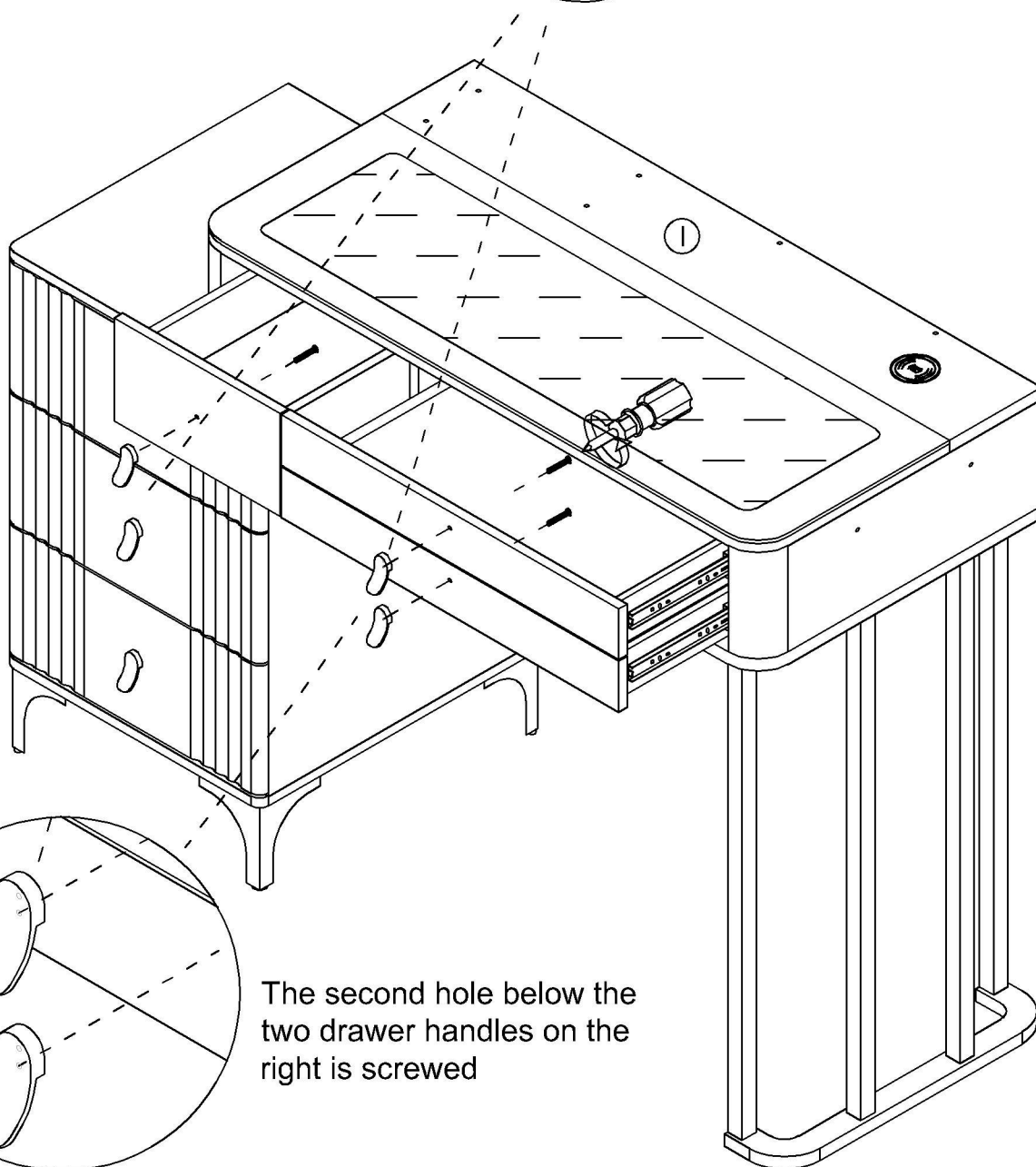
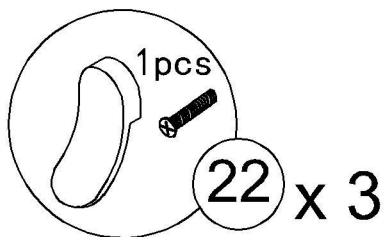


Step 15

22

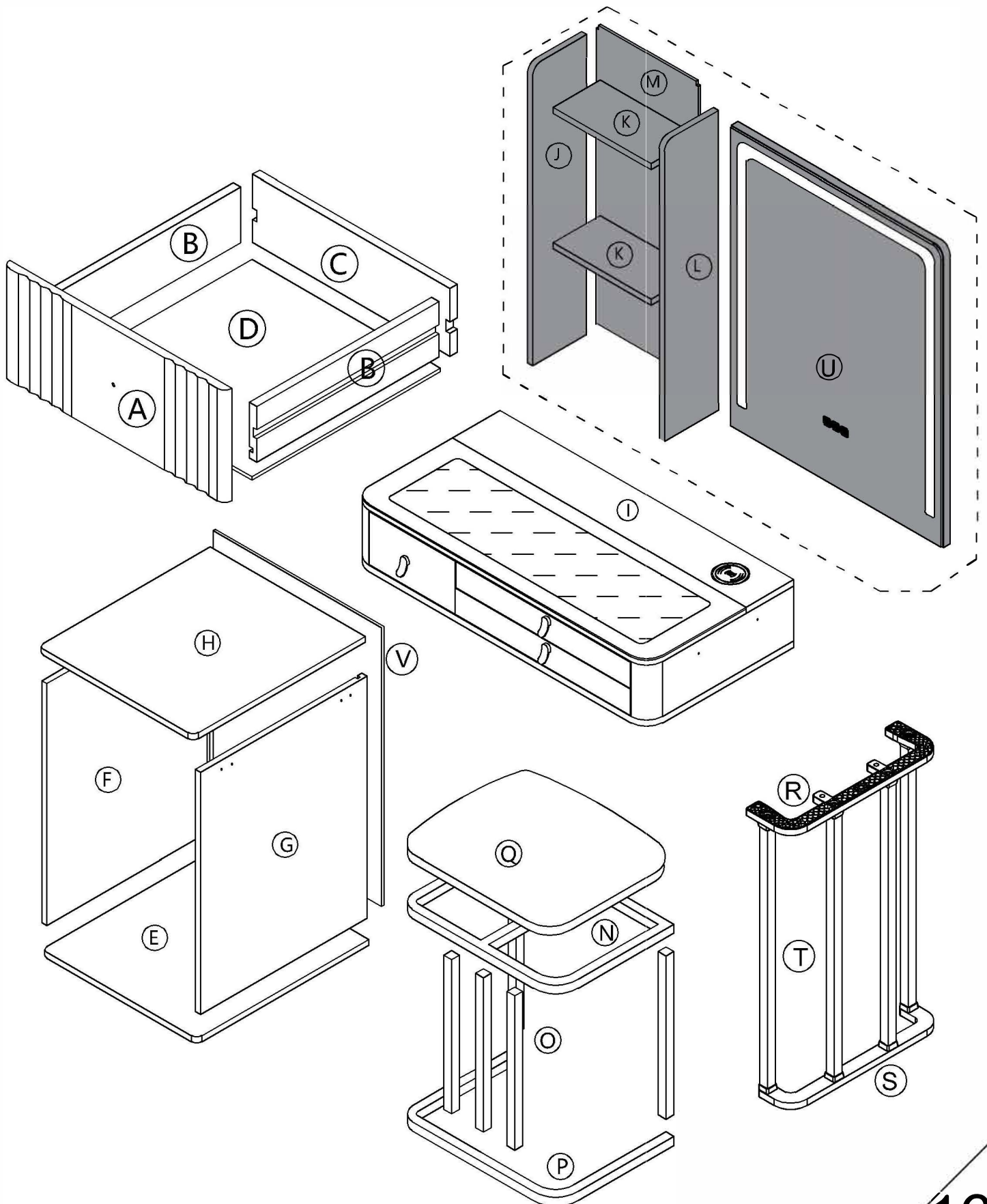


X 3

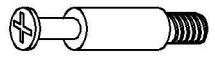


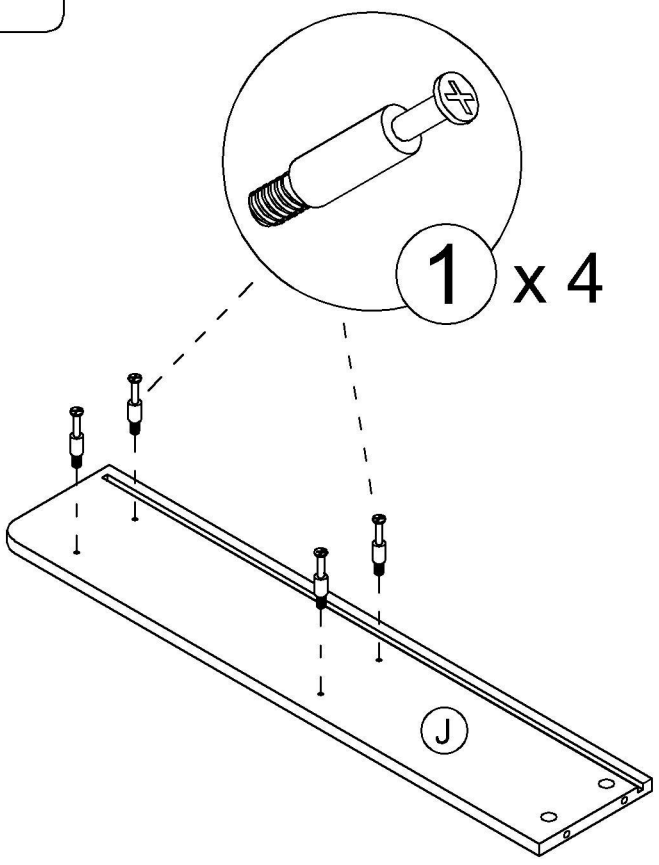
The second hole below the two drawer handles on the right is screwed

Vanity Table Manual



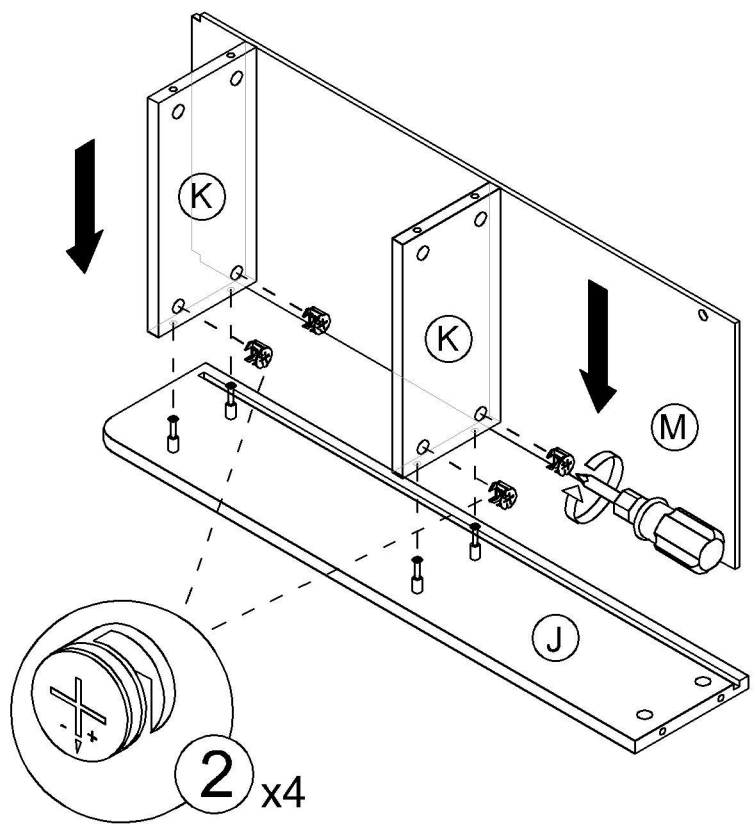
Step 16

1  x 4

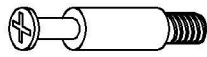



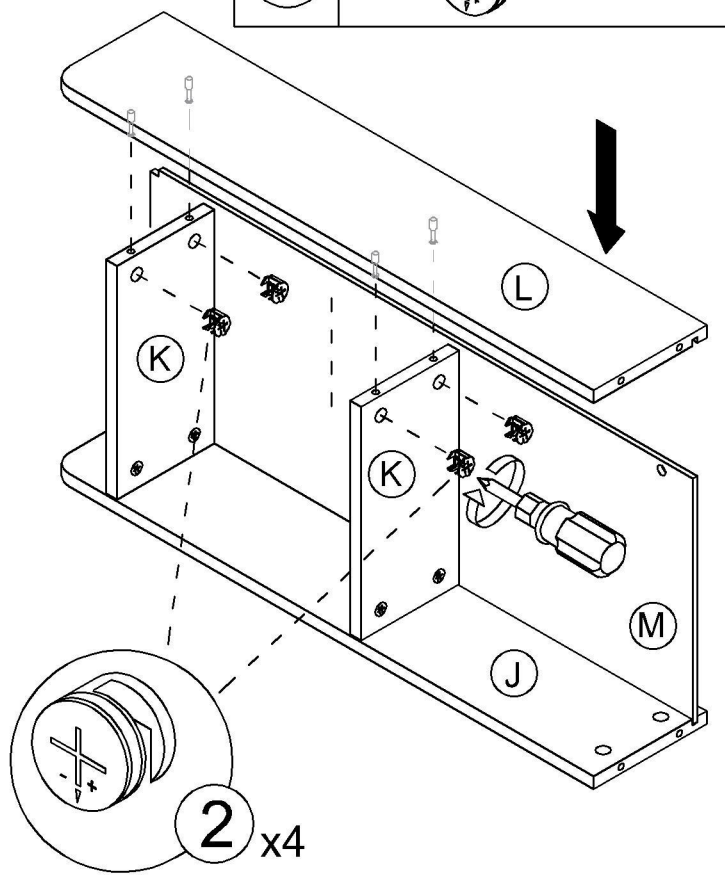
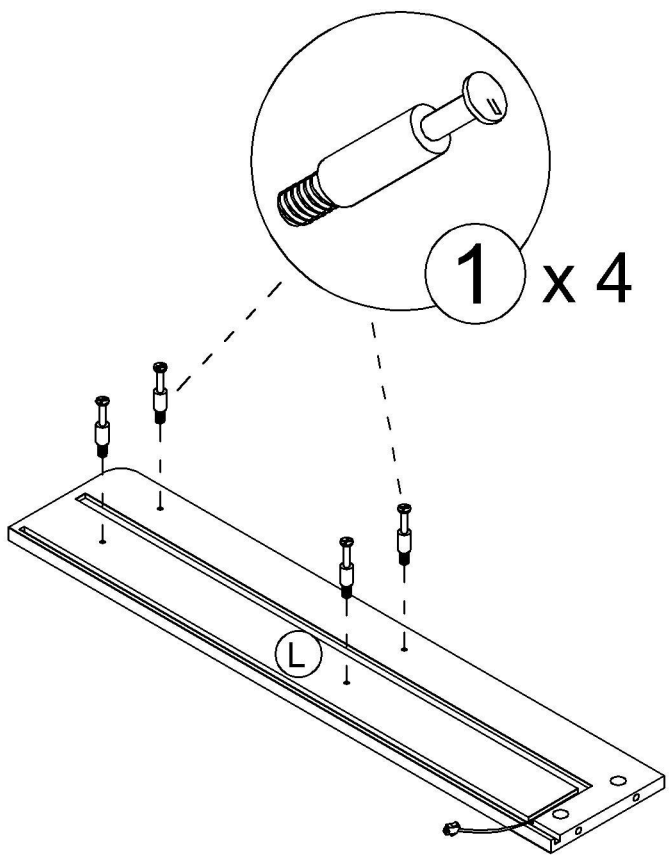
Step 17

2  x 4

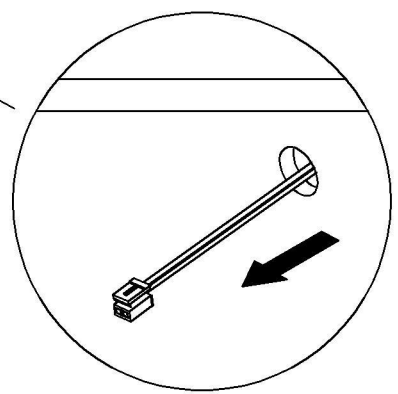
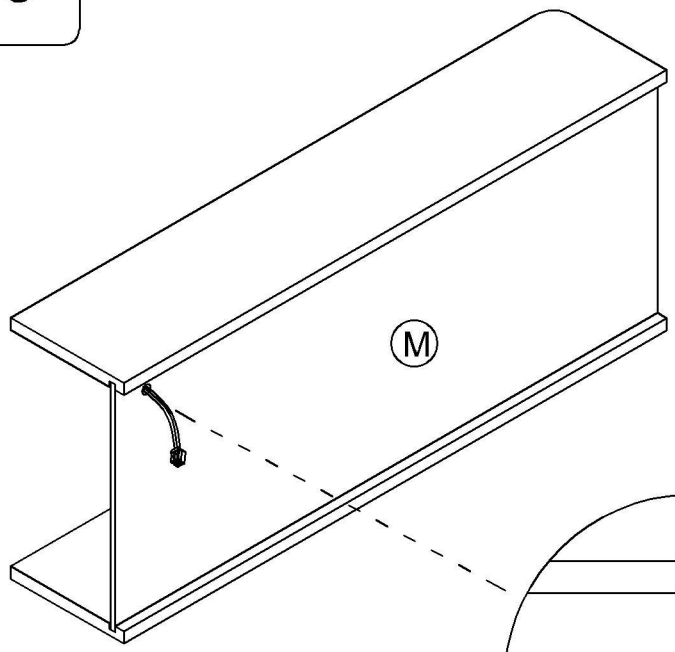


Step 18

1		x 4
2		x 4

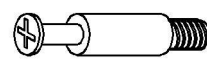


Step 19



Step 20

1 x 6



x6

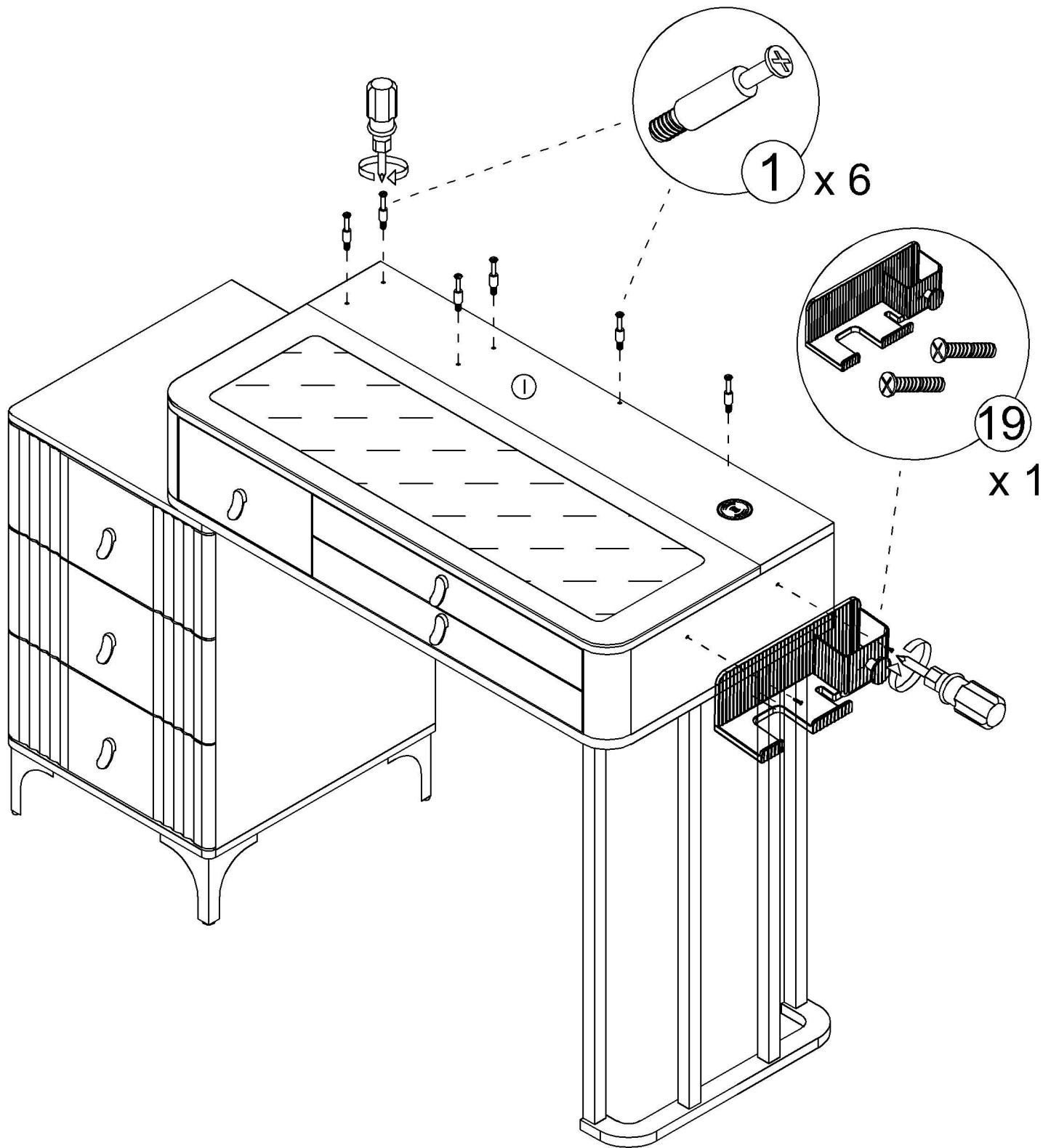
19



1 Pcs

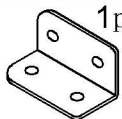
2 Pcs

x1



Step 21

11



1 pcs



4 pcs

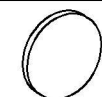
2 Pcs

2

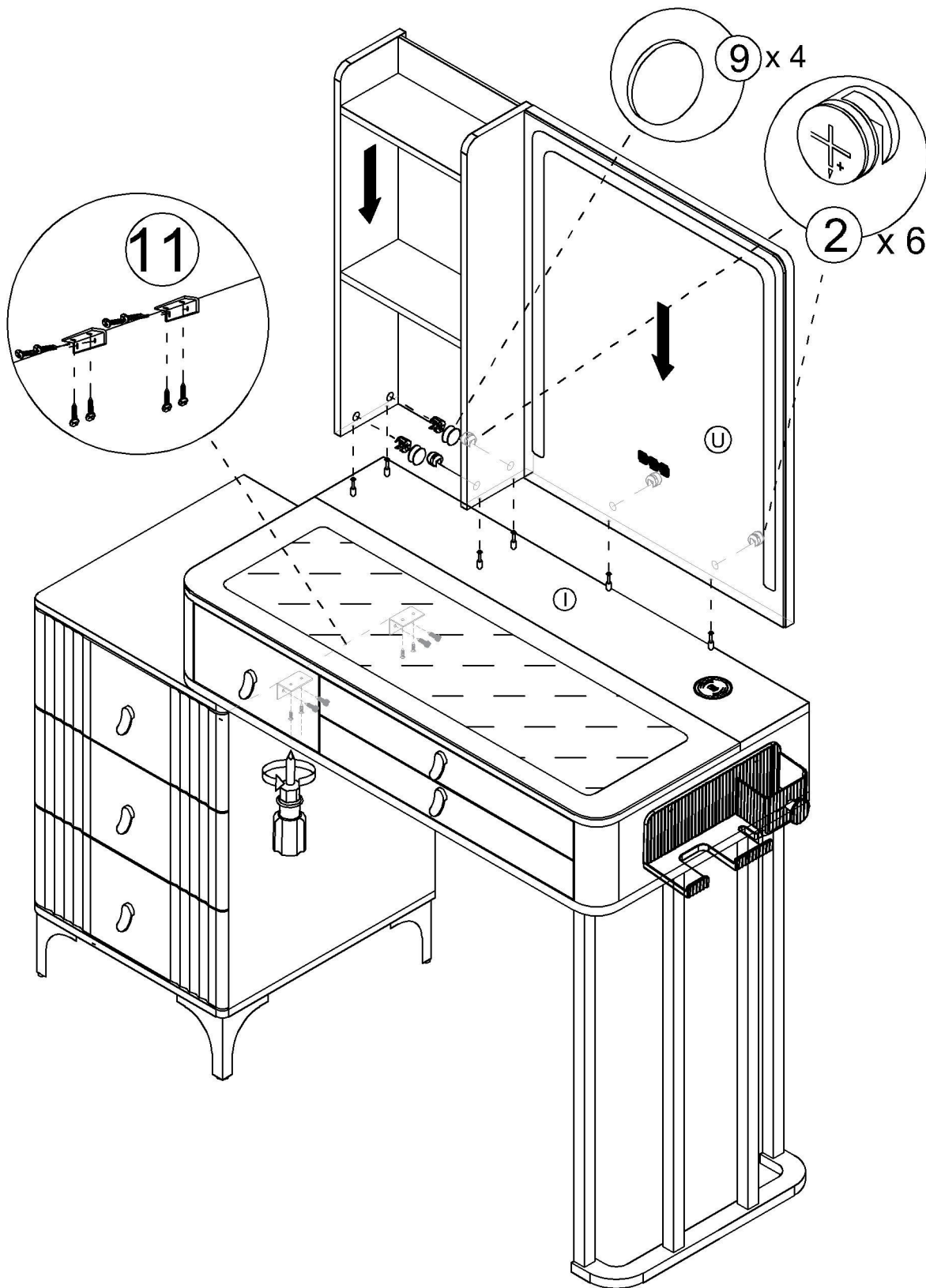


x 6





9

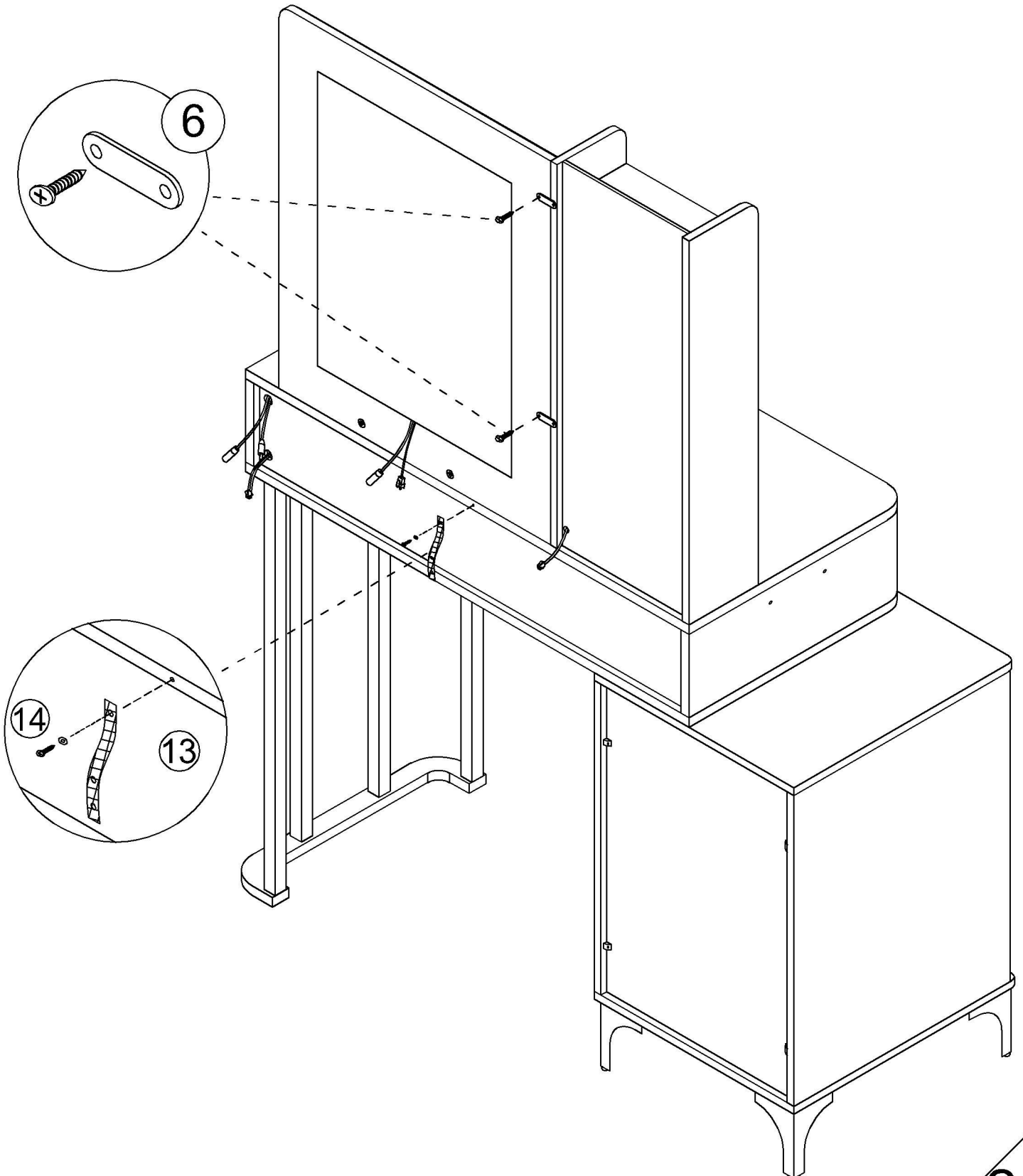


x 4




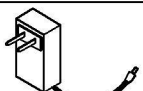


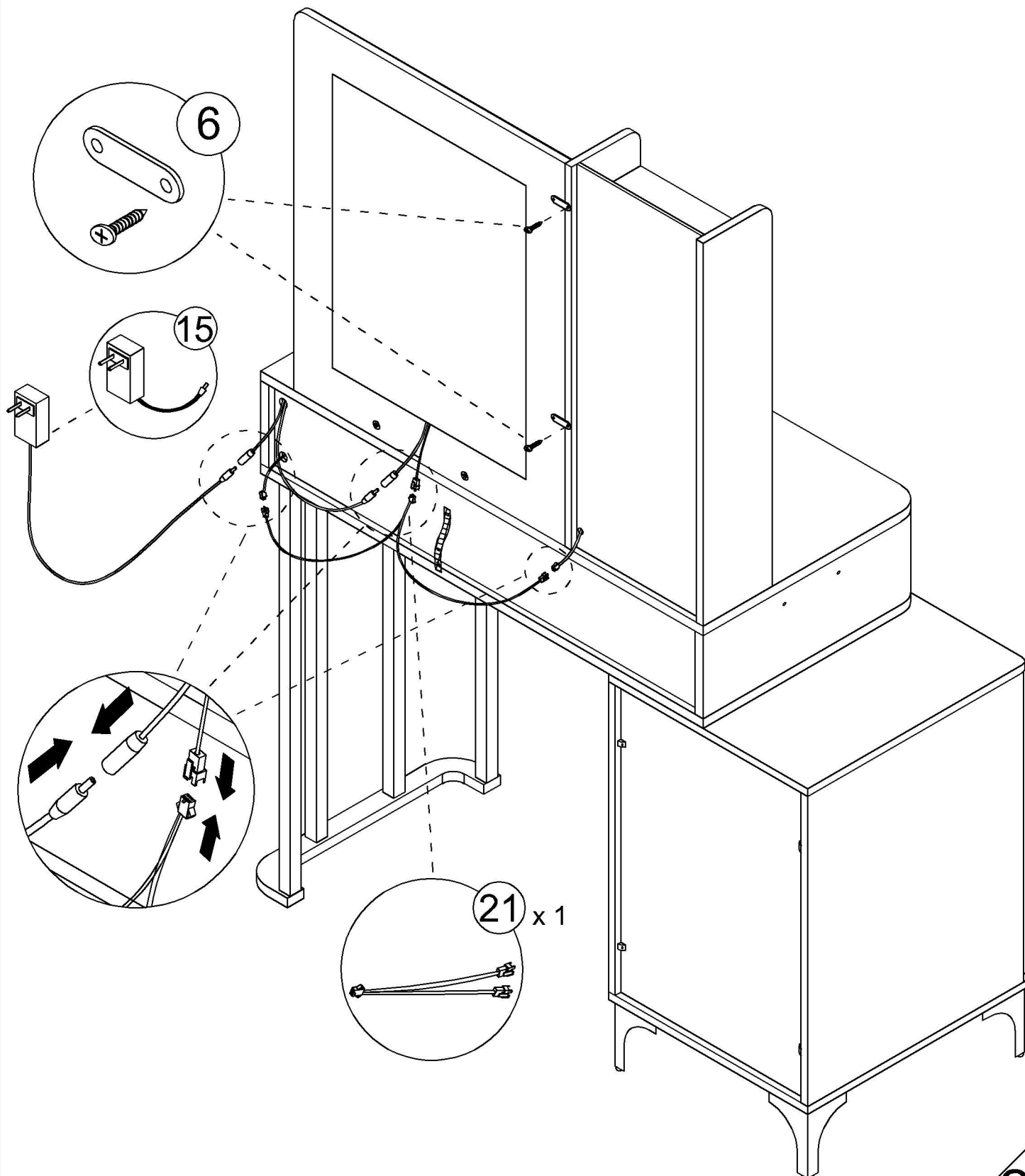
Step 22

6	 1pcs	 1pcs	x 2
14			x 1
13			x 1

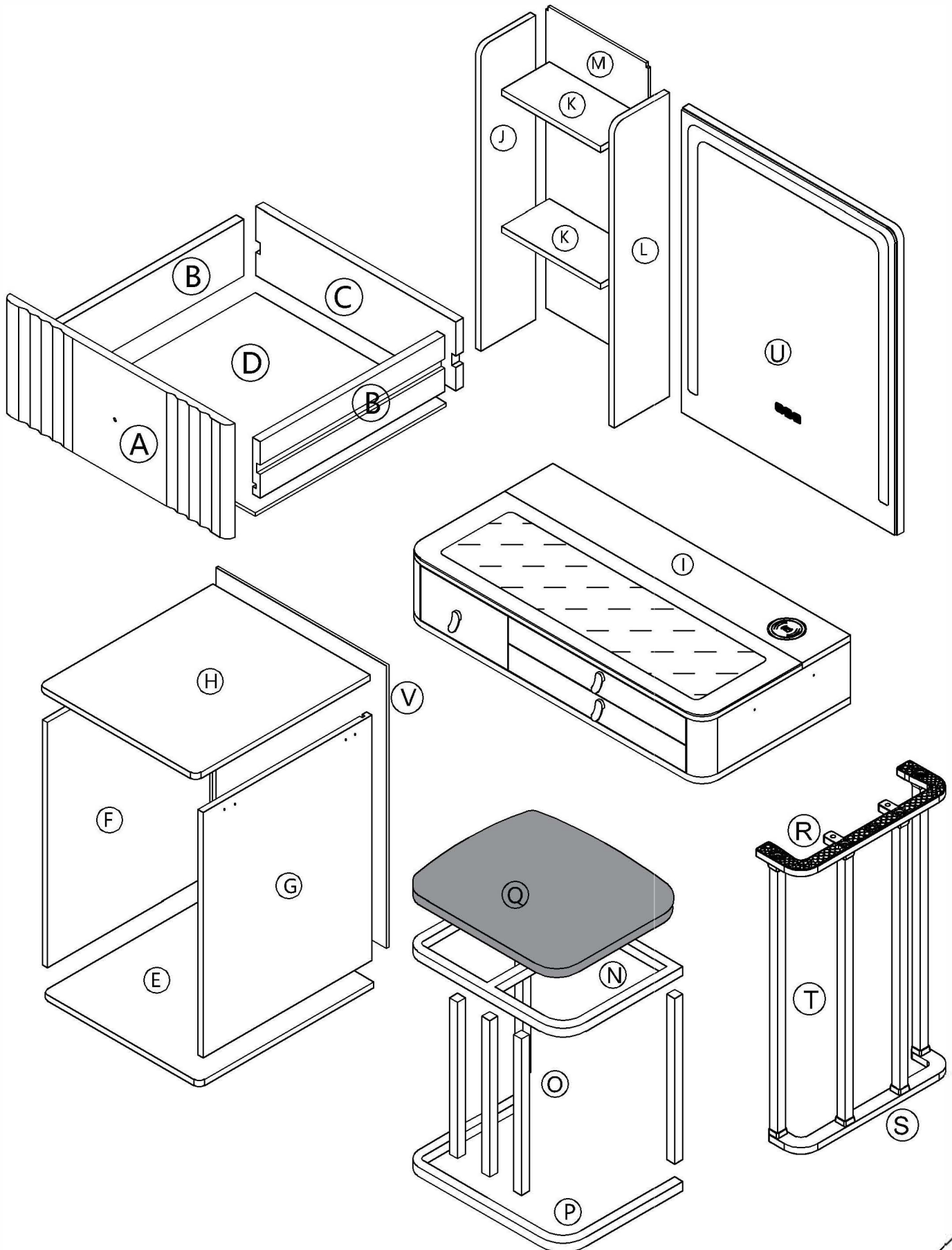


Step 23

6	 1pcs	 1pcs	x 2
21			x 1
15			1 Pcs

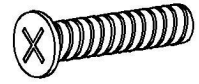


Vanity Table Manual

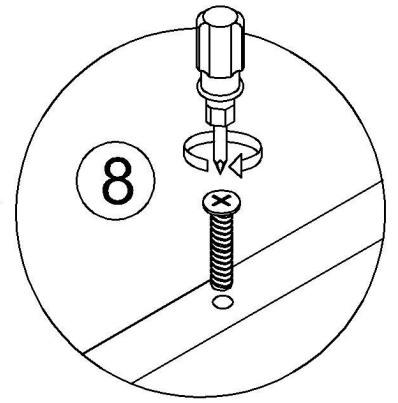
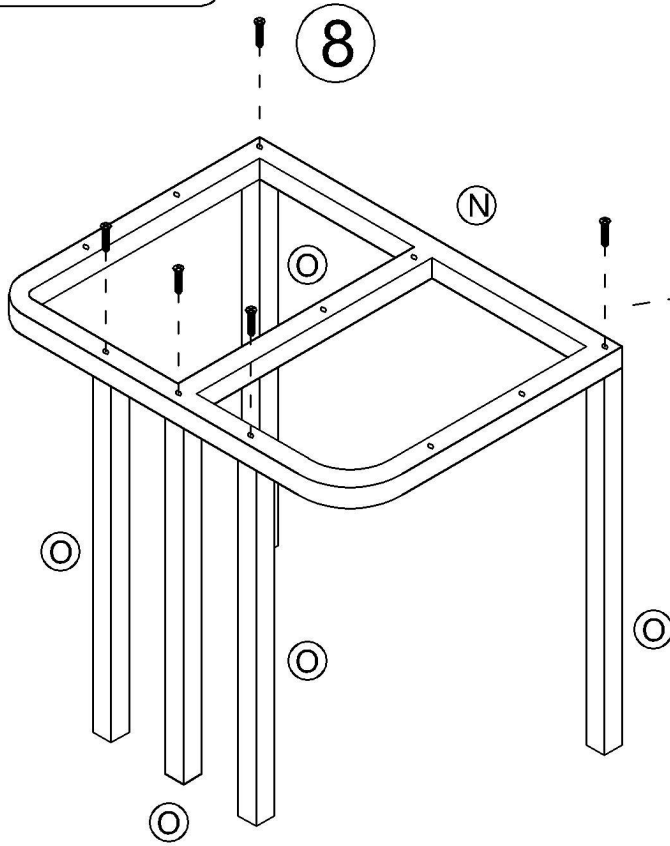


Step 24

8

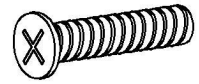


x 5

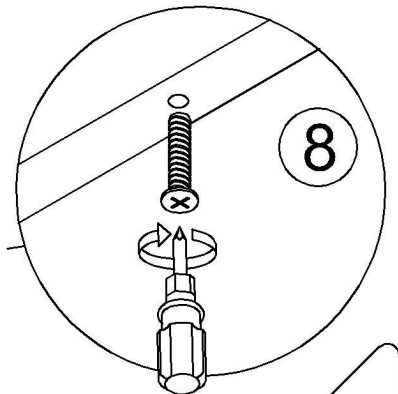
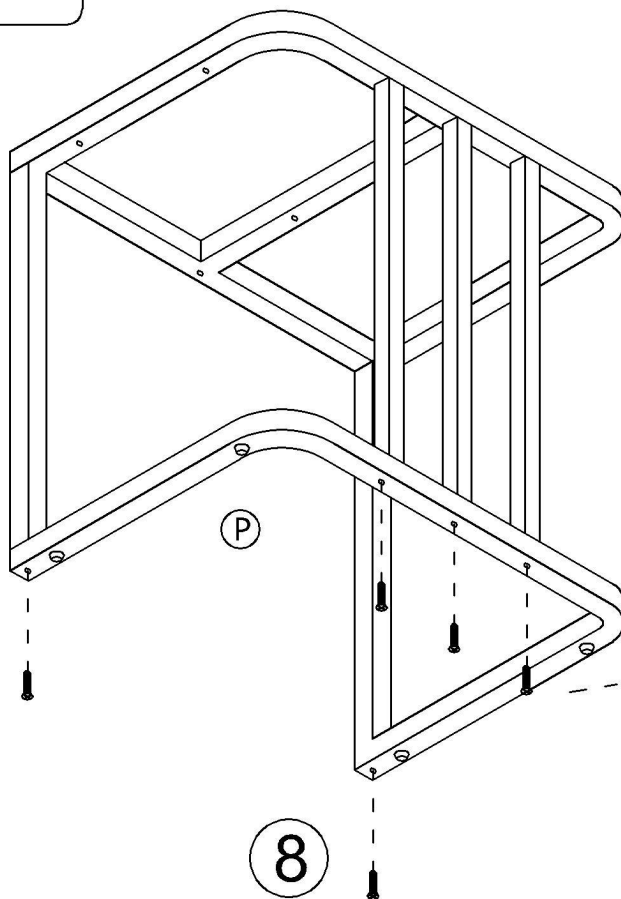


Step 25

8



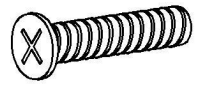
x 5



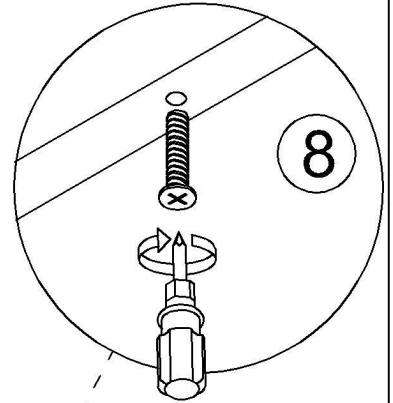
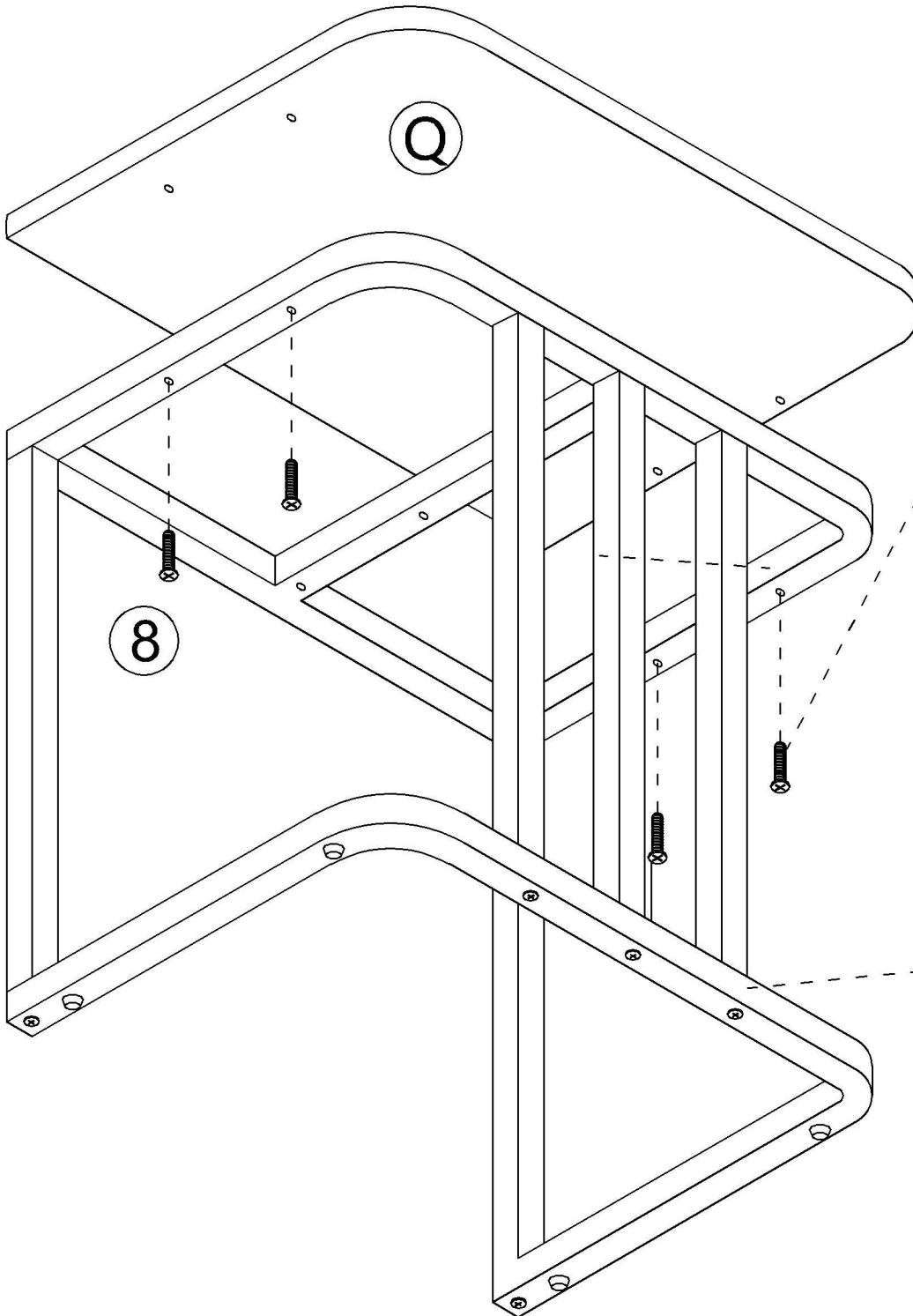
24

Step 26

8




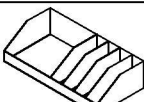
x 4

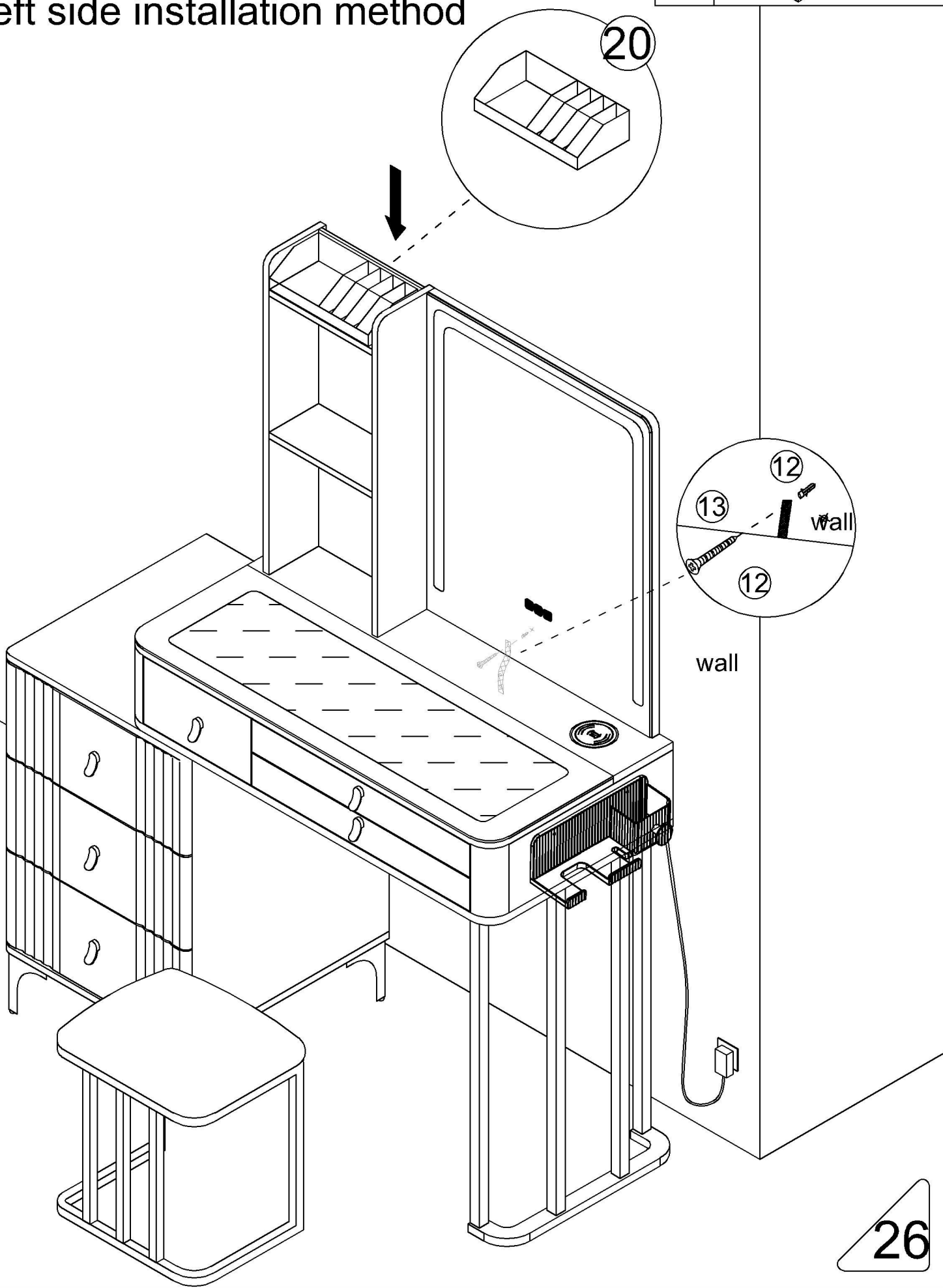


Note that the foot pad at the bottom of the iron frame R can be rotated and adjusted according to the actual situation.


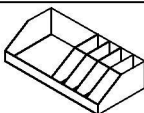
Step 27

Left side installation method

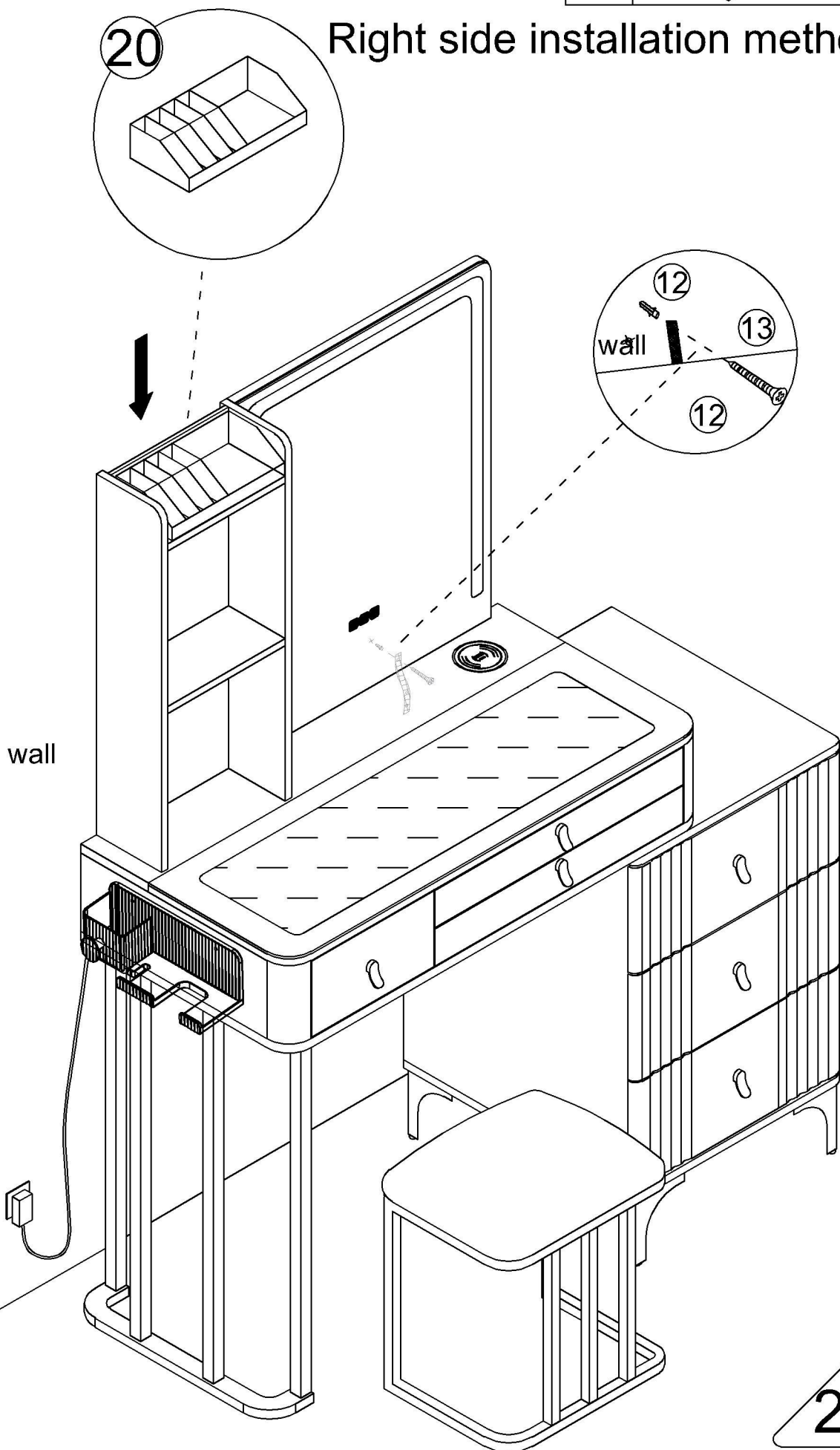
⑫		x 1
⑳		x 1



Step 28

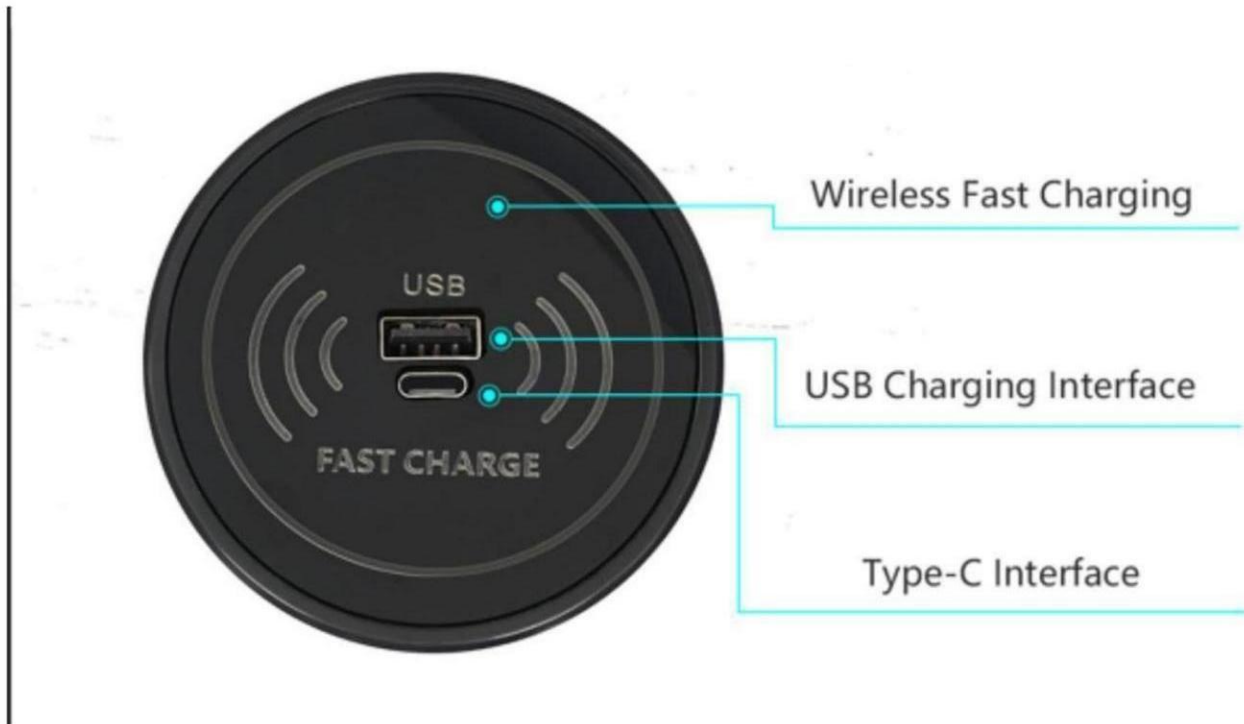
⑫		x 1
⑳		x 1

Right side installation method



15W CHARGING STATION

parameters and instructions:



Product model: 15W wireless charger

Wireless charging output: 15W/10W/7.5W/5W charging efficiency;

Wired charging output: 10W charging efficiency

Wireless charging standard: Compatible with **WPCv1.2.4** standard;

Wireless charging receiver: Support wireless-charging mobile phone and **Qi** standard receiver

Support 5W, Apple 7.5W, Samsung 10W charging

Input voltage and current: DC9-12V/2-3A

Wired USB /TYPE-C charging Power: 5V 2A, 10W

IF USB and TYPE-C charging at the same time, the charging power is 5V 1A

Working frequency: 100kHz-205kHz

Charging distance: When using wireless charging, it needs to be placed on the front of the charger. It is recommended to contact the charger at zero distance.

Safety protection: Built-in smart chip and software that effectively prevent from over-current, short-circuit, over-temperature etc.

NOTE:

1. This charging station should be kept away from high temperature ($>45^{\circ}\text{C}$) and low temperature ($<-20^{\circ}\text{C}$) environment and children.
2. Please use a soft, dry cloth to clean the surface. Chemicals, soaps or detergents are forbidden.

Touch button description



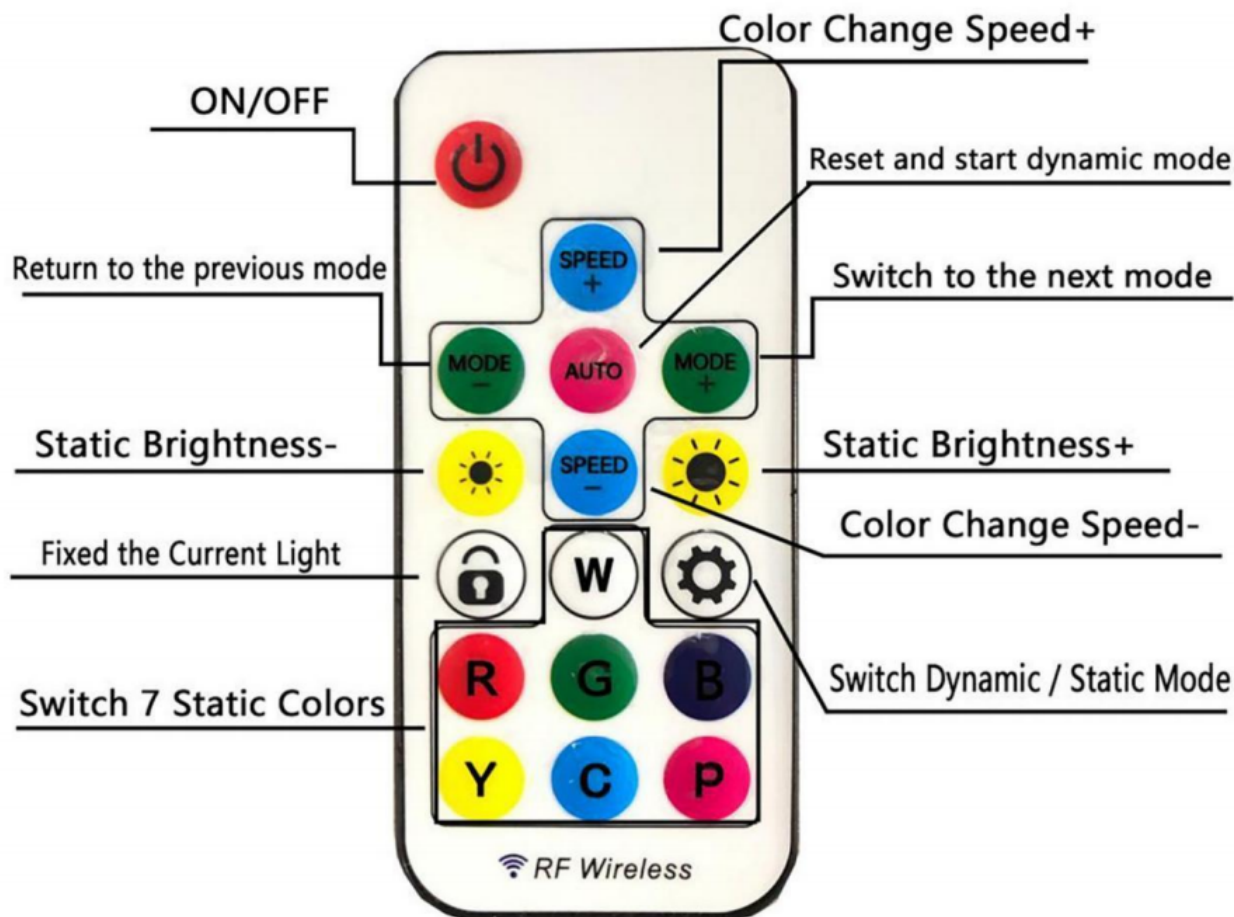
1. ON/OFF

2. Static Light Mode

3. Dynamic Mode

(Long press to adjust brightness)

(Long press to adjust speed)



LED Lights Controller-use instructions

Remote Battery: CR2025 3V

How to use the controller?

1. After inserting the DC power adapter, you can use the remote control to control the lamp. Press the "on/Off" button to turn on the light and enter the static light mode.

Long press the "on/Off" button to turn off the light.

2. There are 7 RGB Dynamic Modes. You can press the "MODE+/-" key to choose dynamic colors that you preferred and press the "Speed+/-" key to adjust color change speed.

3. There are 7 static colors: White / Red / Green/ Blue / yellow / ice blue/ pink light. You can press the "Brightness +/-" key to adjust the brightness.

4. You can press the "lock" key to fix the color you like. When you press the "Switch Dynamic /Static Mode" key, the light will change between dynamic mode and static mode.