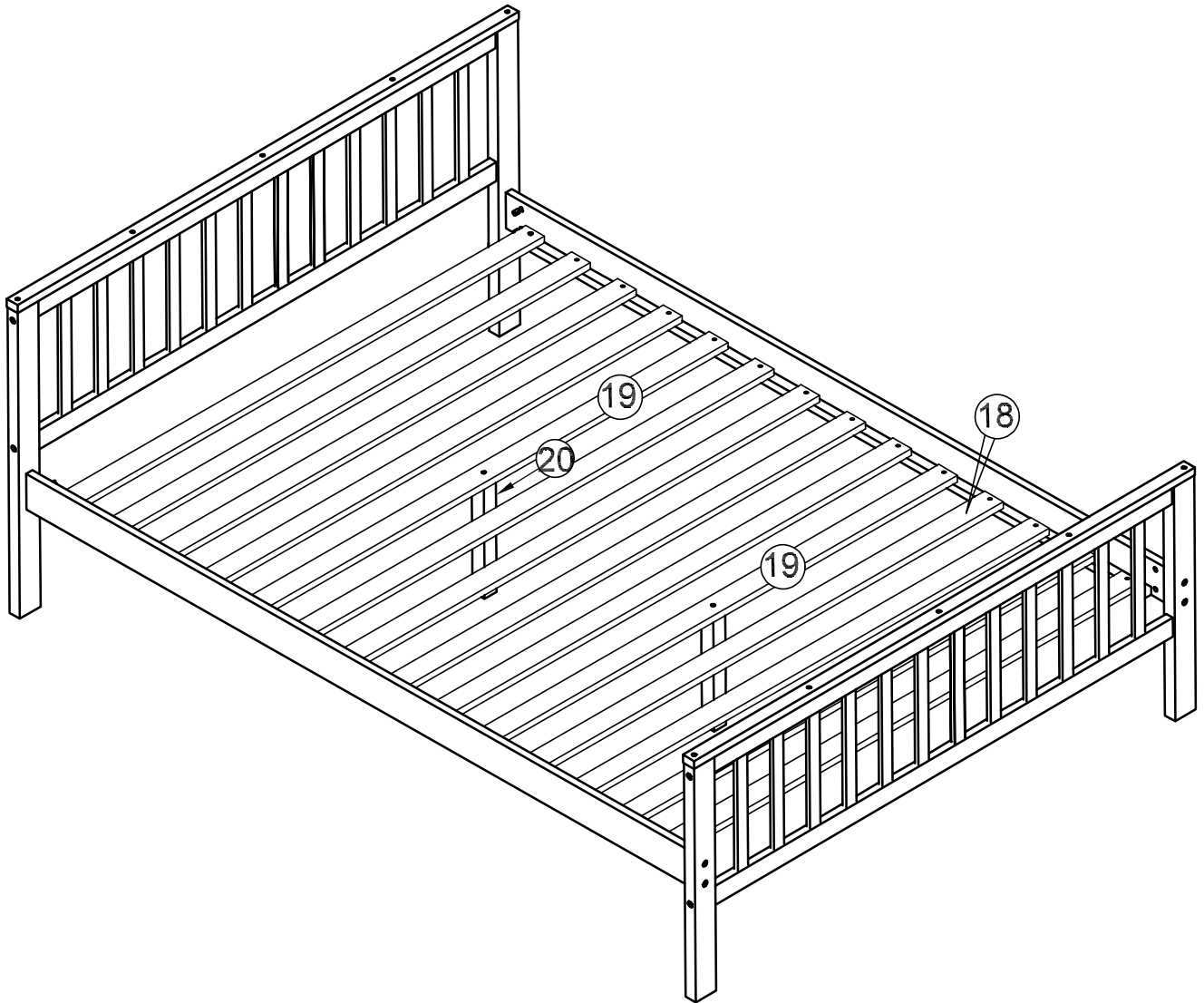


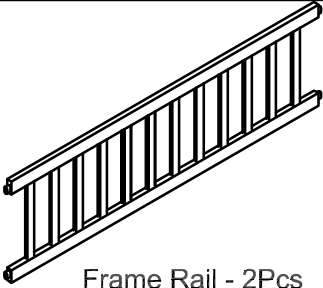
# Bottom Full Bed

**This set is included 3 boxex if do not receive full 3 boxex please contact our customer service team**



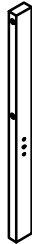
# PART LIST-

12



Frame Rail - 2Pcs

13



Legs headboard (L) - 1pc

14



Legs headboard (R) - 1pc

15



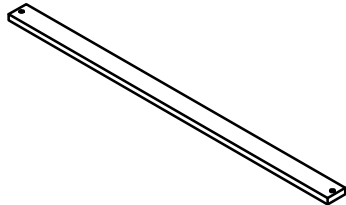
Legs footboard (L) - 1pc

16



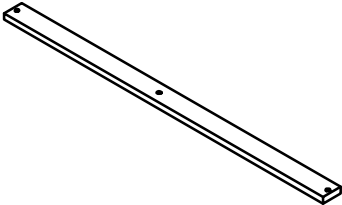
Legs footboard (R) - 1pc

18



**Long Slats-12pcs**

19



Long Slats with mid hole - 2Pcs

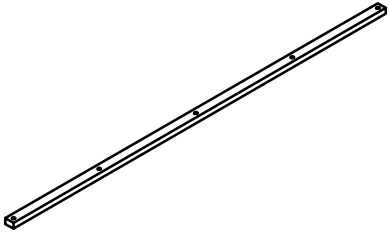
20



Center legs-2Pcs

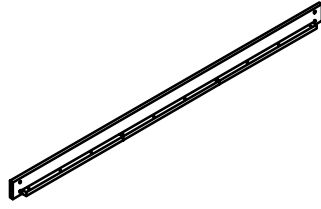
# PART LIST.

11



Top rail - 2Pcs

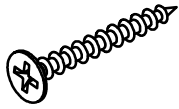
17



Side rails - 2Pcs

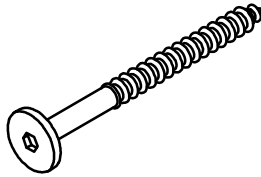
# HARDWARE LIST

A



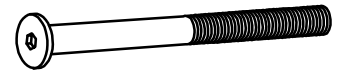
**M4x30**  
**Wood screws-38pcs**

B



$\text{\O}1/4 \times 70 \text{ mm}$   
Hexagonal bolts catch Wood - 8Pcs

C



$\text{\O}1/4 \times 80 \text{ mm}$   
Hex-Head bolts - 8Pcs

D



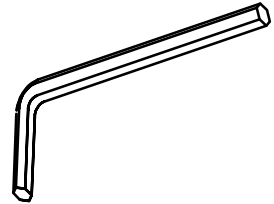
$\text{\O}10 \times 40\text{mm}$   
Dowles - 4Pcs

E



$\text{\O}1/4 \times 13\text{mm}$   
Cross nuts - 8Pcs

F

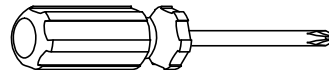


Allen Key - 1Pc

G

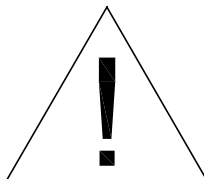


$\text{\O}1/4" \times 35 \text{ mm}$   
Hex-Head bolts-2pcs

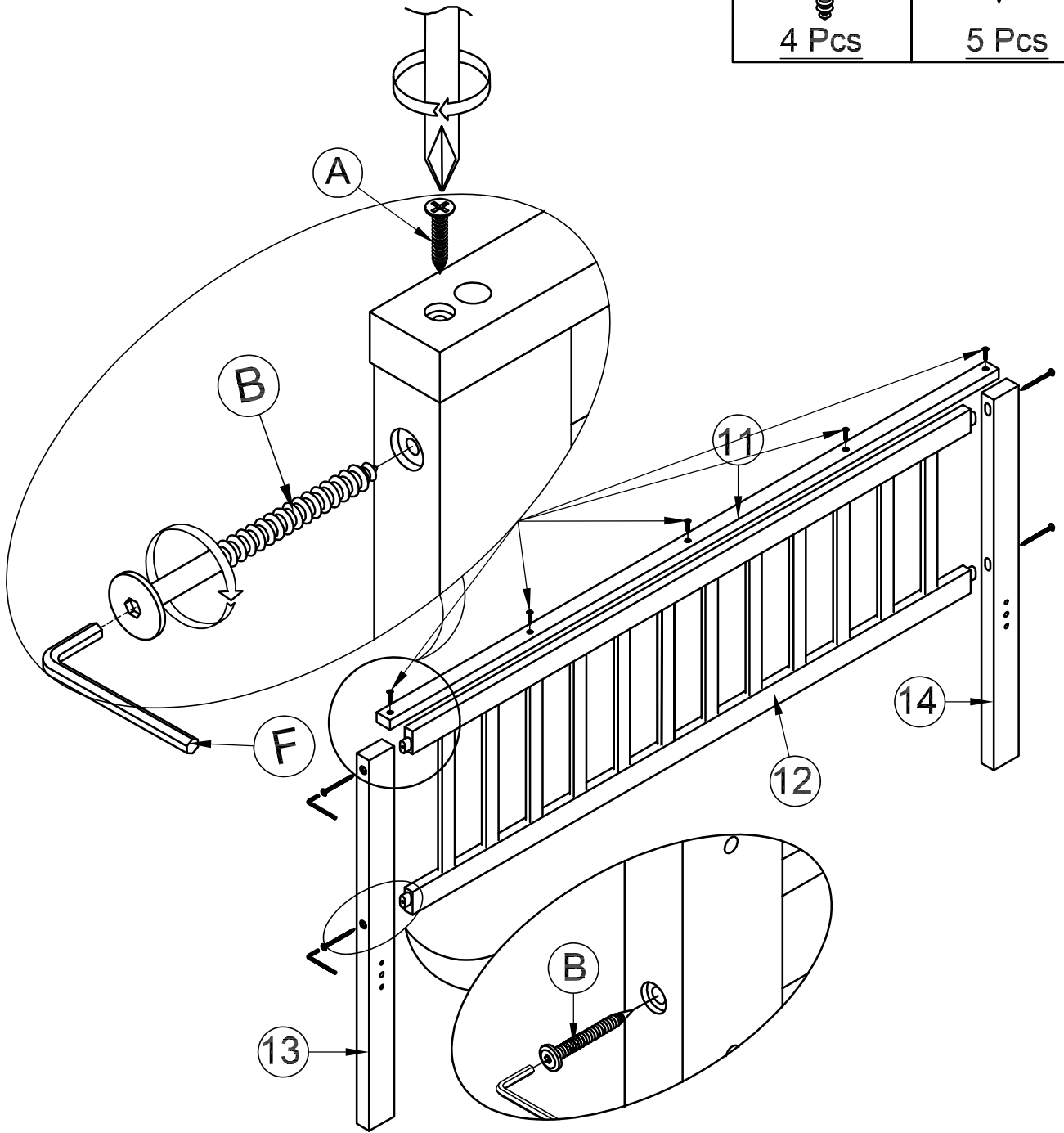
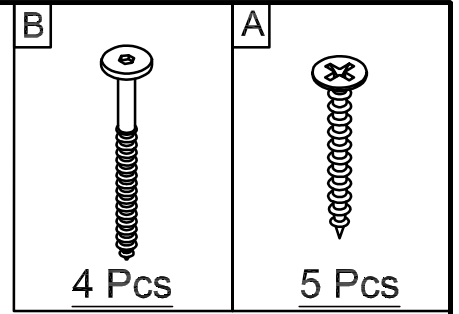


Assembly Tools Required (Not Included)

**PLEASE BE CAREFUL DO NOT DAMAGE THE HOLE  
POSITION WHEN YOU USE POWER TOOLS!**

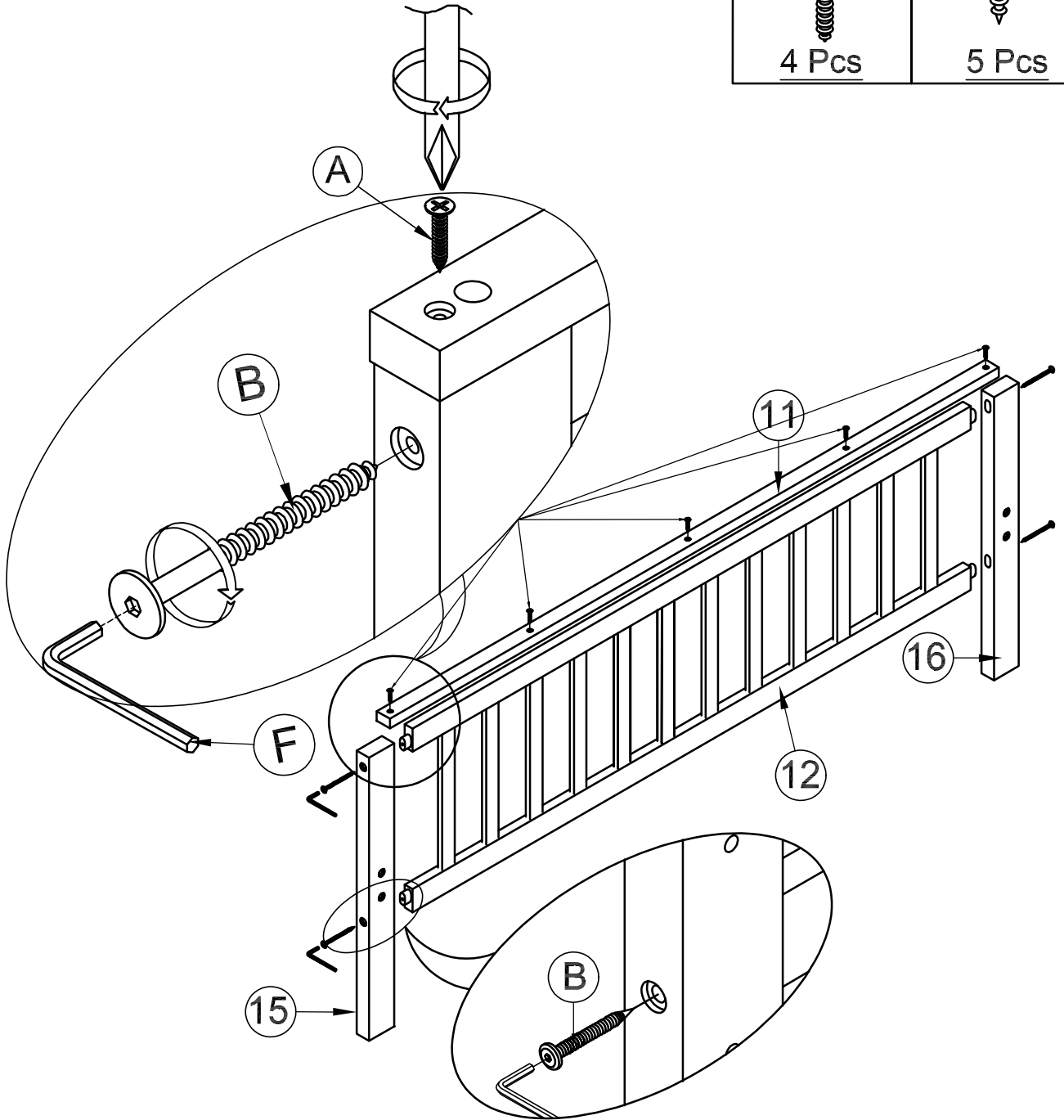
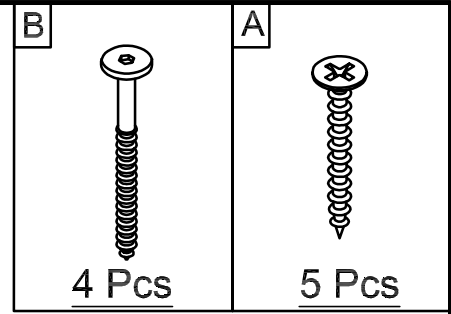


STEP 1






HEADBOARD

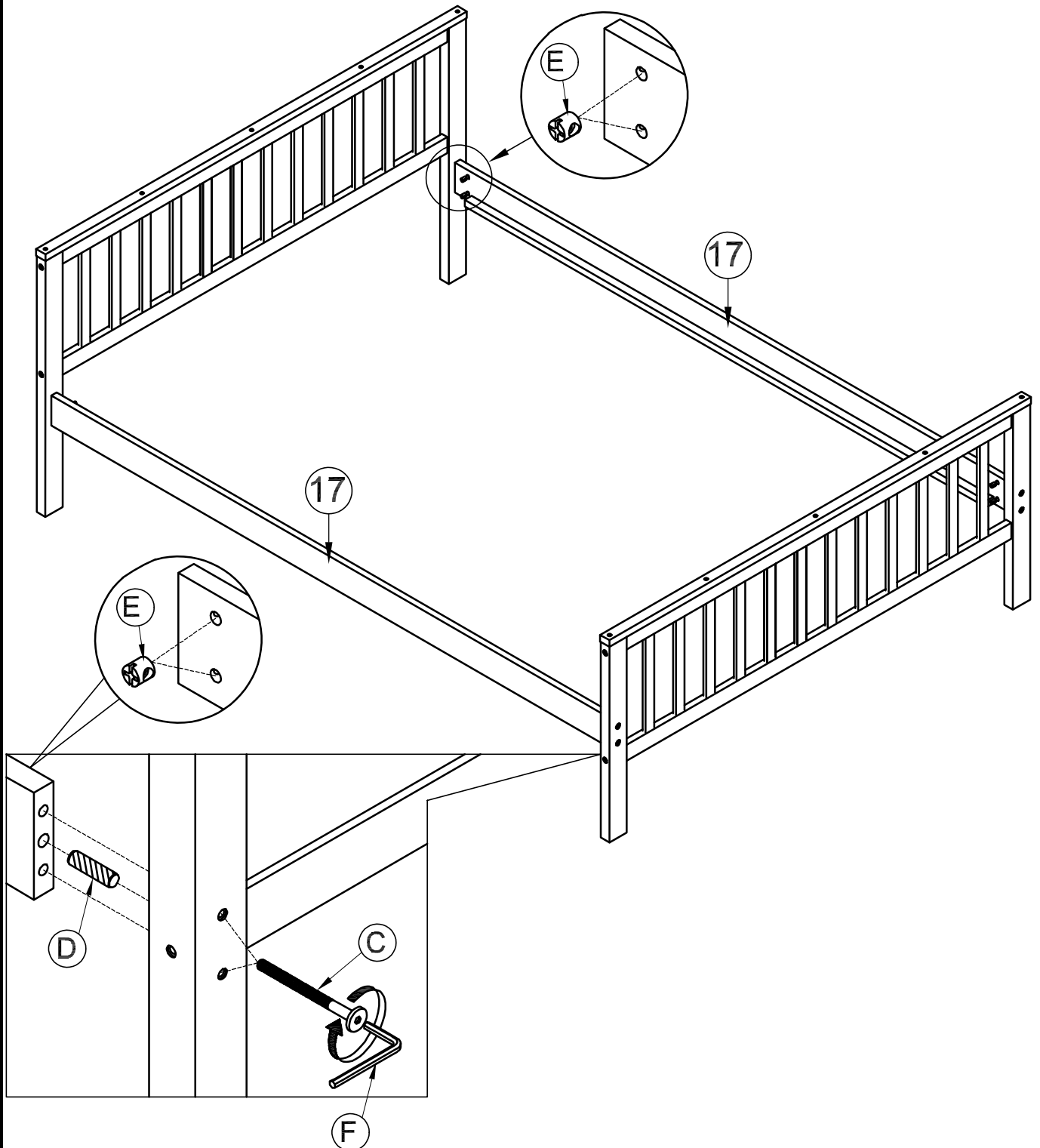
STEP 2



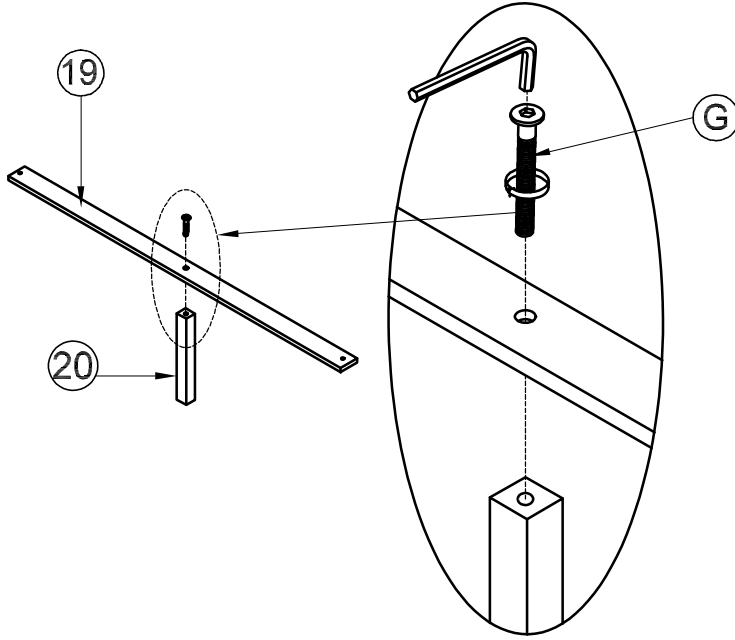
FOOTBOARD

**STEP 3**

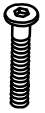
<b>C</b>		<b>E</b>		<b>D</b>	
	8pcs		8pcs		4pcs



**STEP 4**

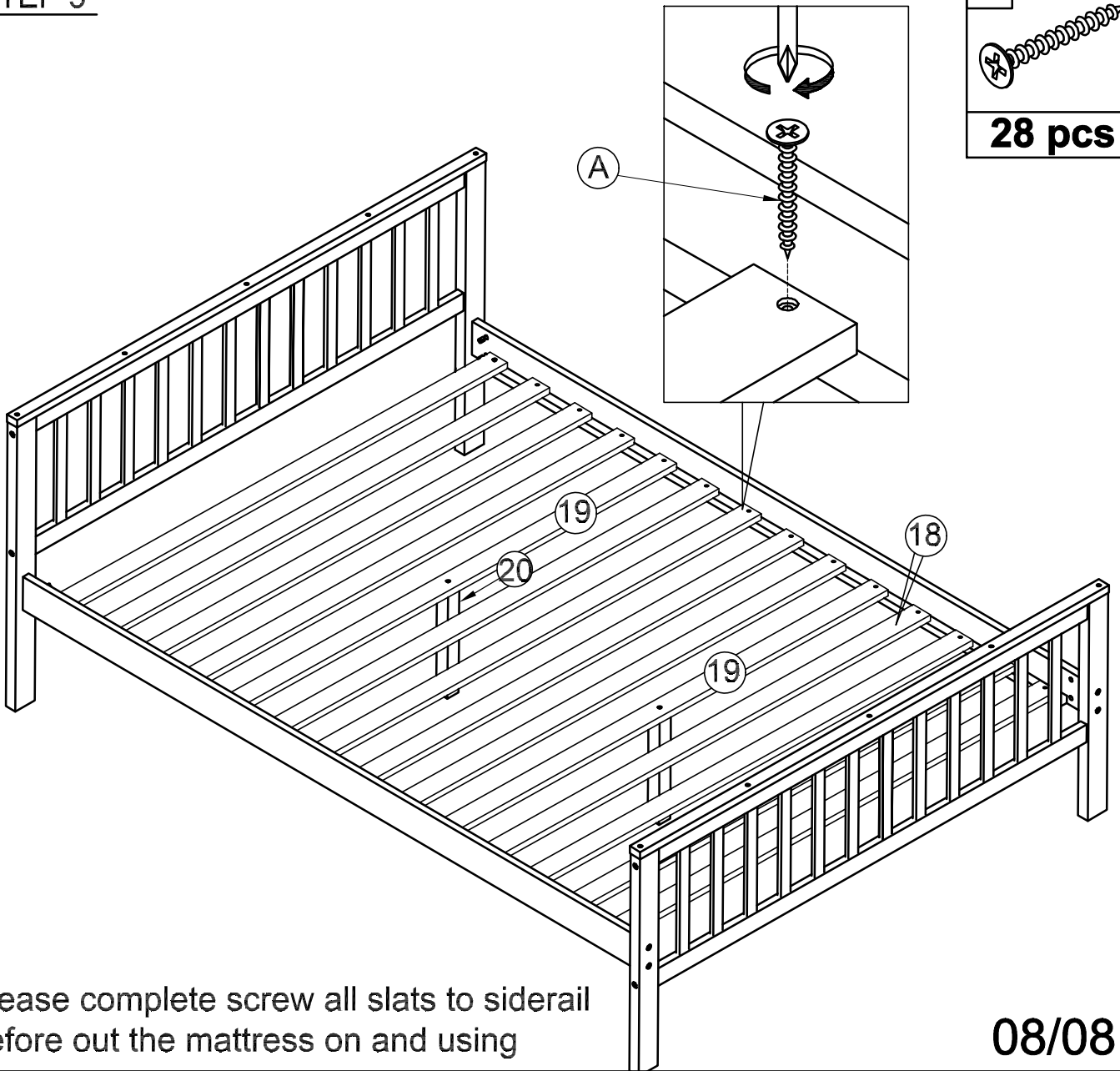


**G**

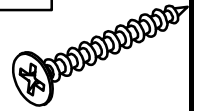


**2 pcs**

**STEP 5**



**A**



**28 pcs**

Please complete screw all slats to siderail before out the mattress on and using