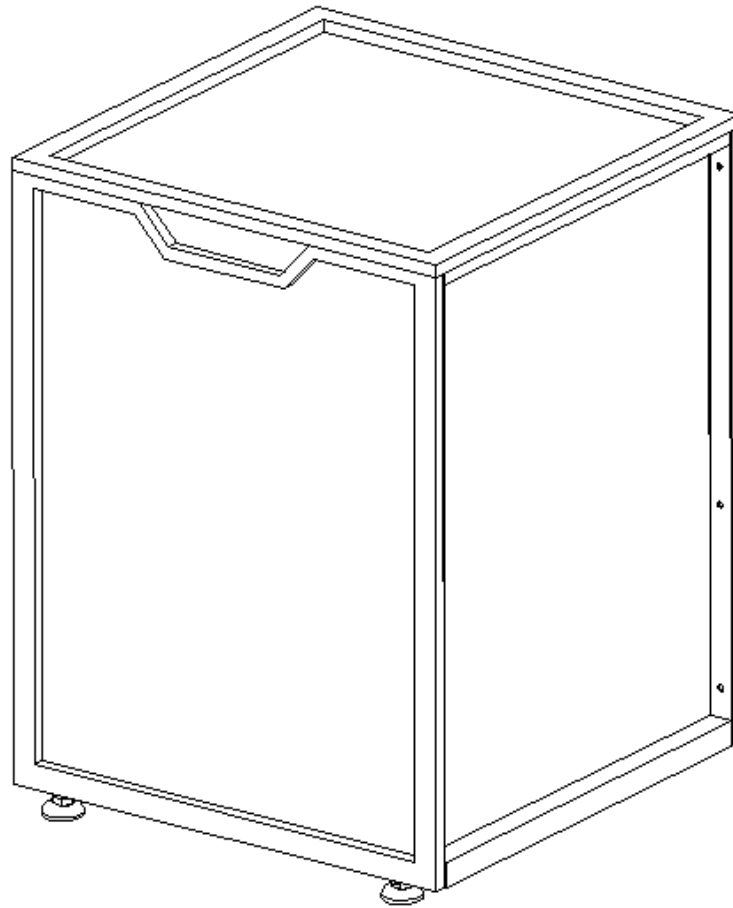


Assembly Instructions


Caution : You must read this before you proceed



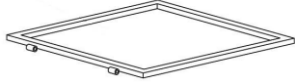
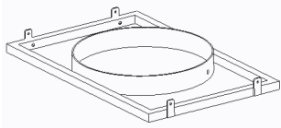
TANK HOLDER

Shall be used this TANK HOLDER Instruction with the Fire Table Instruction







Part List

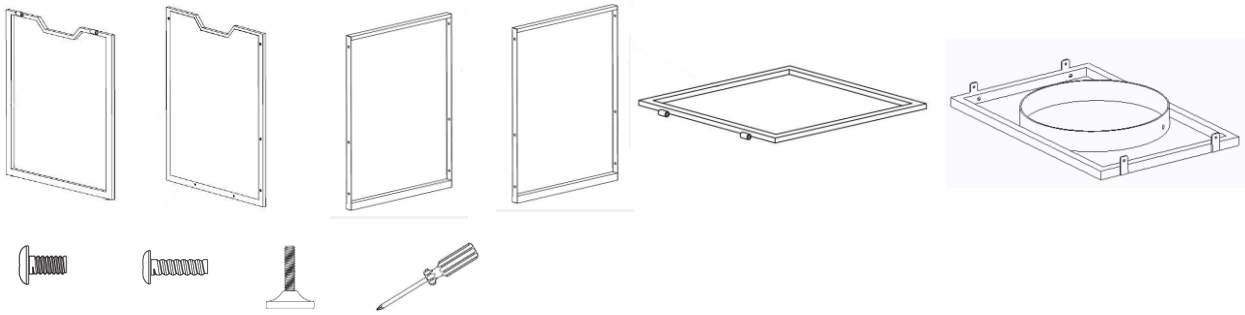
Label	Picture	Description	QTY
A		Front Panel	1

B		Back Panel	1
C		Side Panel	2
D		Top Panel	1
E		Stand (pre-assembled wing screw)	1

Hardware

Label	Picture	Description	QTY
①		Screw (M5 *10MM)	17
②		Screw (M6 *30MM)	3
③		Leveller	4
④		Screwdriver	1

Assembly Preparation



Before Beginning Assembly:

*Before beginning assembly of product, make sure all parts are present. Compare parts with package contents list. If any parts is missing or damaged, do not attempt to assemble the product.



- Read instructions, cover to cover-



- Have 2 adults on hand for assembly-



- Do not assemble on flooring or carpet-



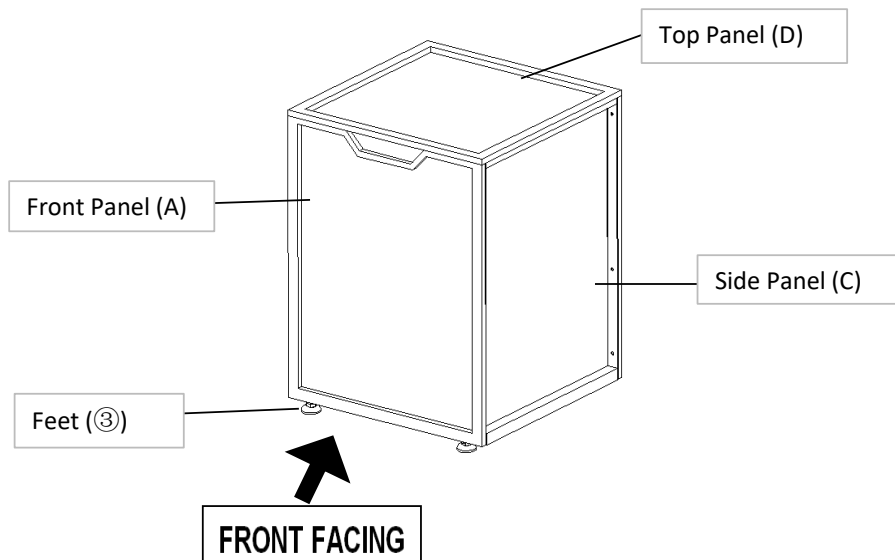
- Assemble on a clean non-marring surface (packing foam)-



- Save all packaging until finished-

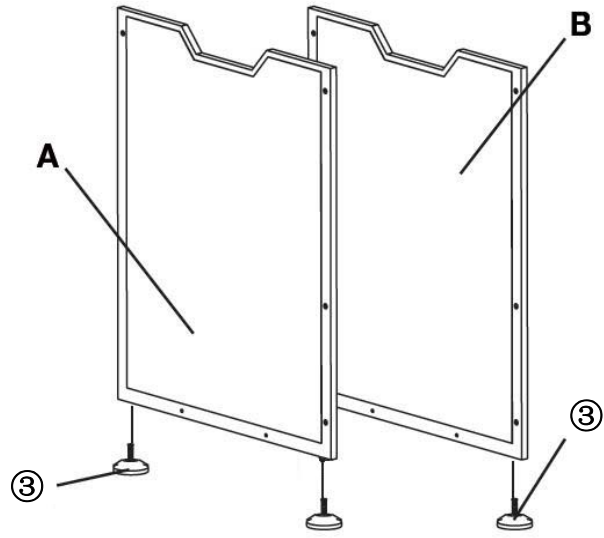
Assembly Steps

OVERVIEW



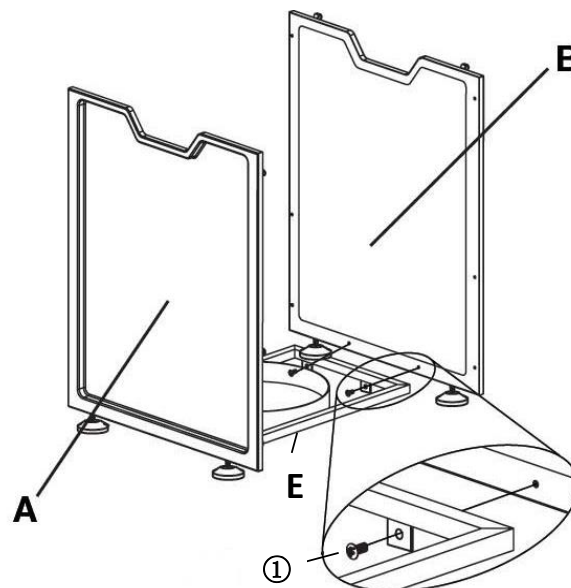
This Tank Holder has multiple parts and may require up to 30 minutes to assemble. To give you an overview of the Tank Holder parts, the above picture is to help you put the various Tank Holder parts into perspective. Please read through the instructions below to familiarise yourself with the parts and steps before assembly.

Step 1



Assemble the 4 Leveller (③) to the bottom of the Front Panel (A) and Back Panel (B).

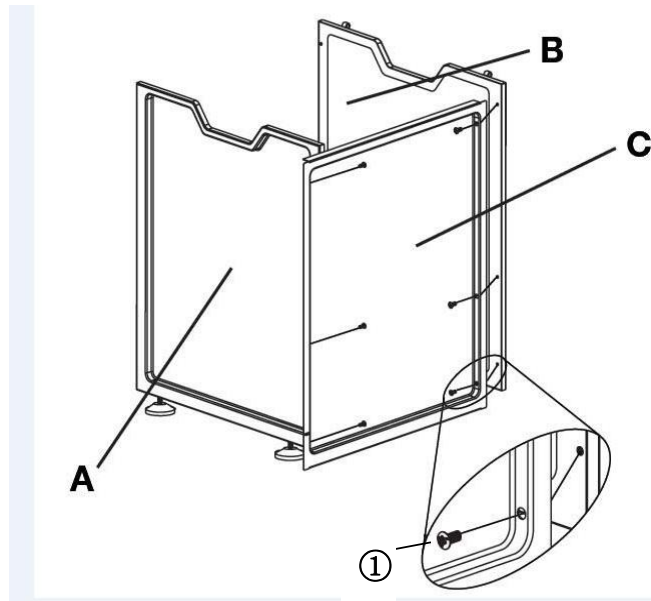
Step 2



Attach the Front Panel (A) and the Back Panel(B) to the Stand (E) using M5 Screw (①), with Screwdriver(④).

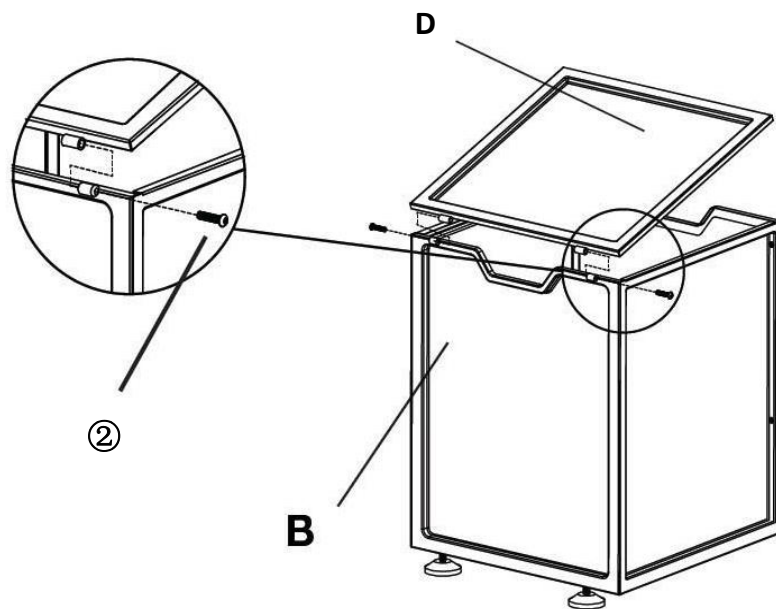
Do not over tighten Screw(①) while assembling the panels in order to adjust the panels as needed while assembling and make sure you follow the steps fully.

Step 3



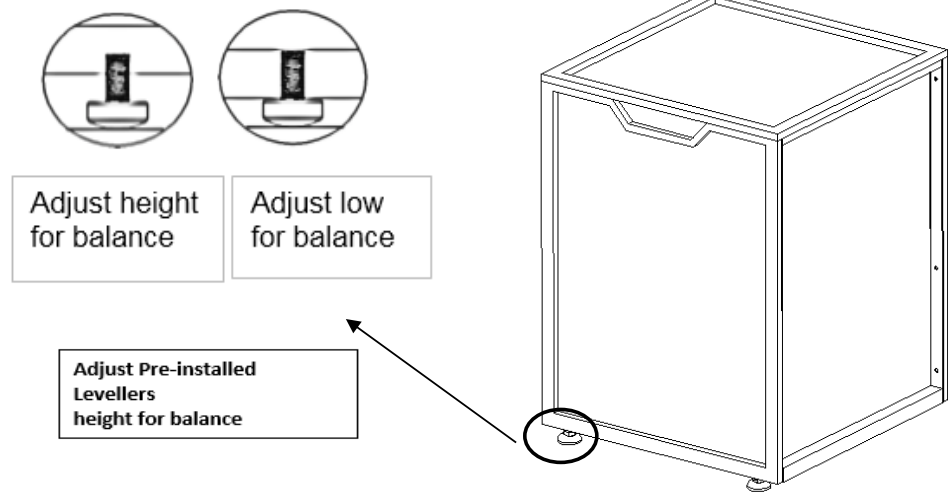
Attach the Side Panel (C) to the Front Panel (A) and Back Panel (B) using Screw(①), with Screwdriver(④).
Repeat the same process to install the other Side Panel.

Step 4



Attach the Top Panel (D) to the Back Panel (B) using M6 Screws (②) with Screwdriver(④).

Step 5



If the Tank Holder wobbles, adjust the Pre-installed Levellers at the bottom of the Panel (A) & Panel(B) until the Tank Holder is level.

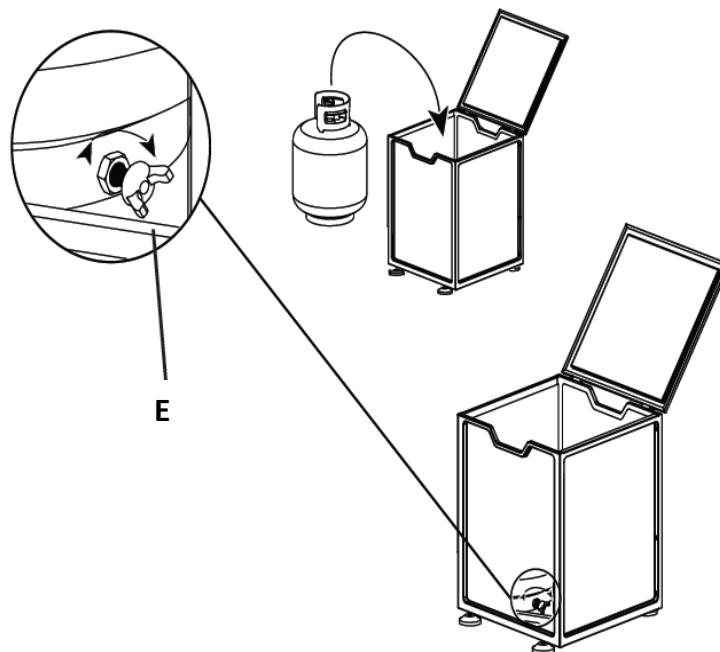
This Tank Holder can only be used on a flat, level surface.

Make sure all parts are connected and securely locked into position.

Your Tank Holder is ready for use.

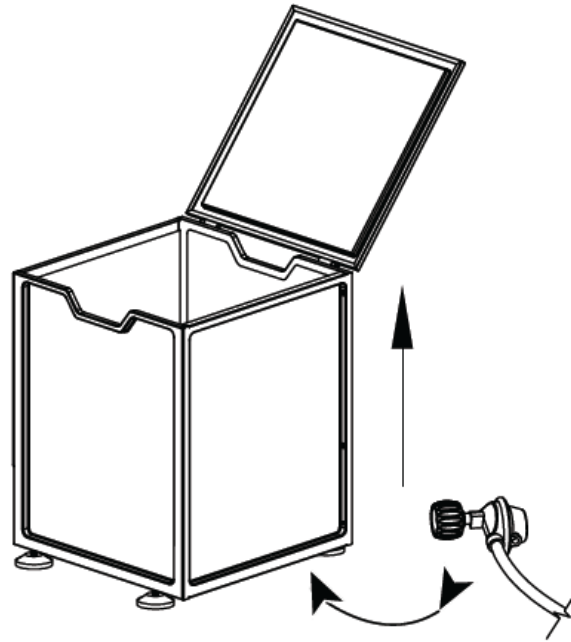
Instructions for use

Step 1



Place a 20 lb. Propane Gas Tank (not included) on top of Stand (E). Turn the Preassembled Wing Screw on the Stand (E) clockwise to secure the Gas Propane Tank.

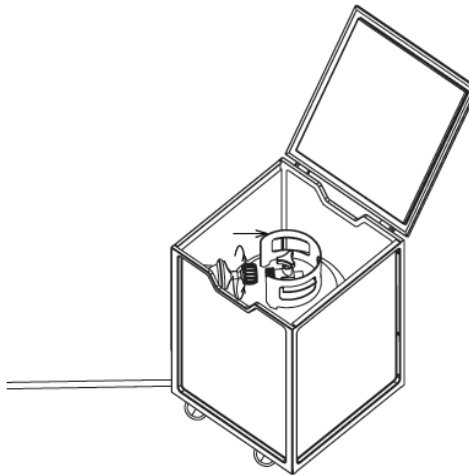
Step 2



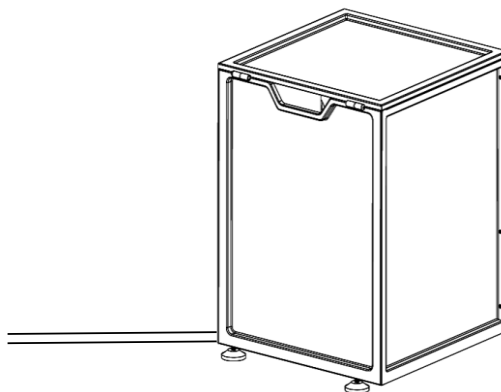
Feed the Regulator Hose (from your Gas Appliance) through the bottom of the item.

Step 3

Step 3.1



Step 3.2



Step 3.1 Connect the Regulator (from your Gas Appliance) to the Gas Propane Tank.
Step 3.2 Then close the Top Panel (D).

CAUTION! Open the cover to connect or disconnect your Regulator and to open or close the Gas Propane Tank Valve. Make sure that the Hose is not pressed underneath the item.



















MAXIMUM WEIGHT CAPACITY: This item can withstand an additional weight of 30 lbs.

- This item is intended for outdoor use only.
- Do not use near flammable or combustible objects.
- Storage of this item indoors is permissible only if the tank is disconnected and properly stored outdoors.
- Young children should be carefully supervised when in the vicinity of this item.
- Do not sit on this item.
- Always place this item on a hard, level non-combustible surface such as concrete, rock or stone.
- This item must be used **ONLY** outdoors in a well ventilated space and shall not be used inside a building, garage or any enclosed area.
- This item is designed for use with a 20 lb. liquid propane gas (LP) tank (not included).
- This item is not to be installed or used in or on any recreational vehicle or boat.
- Do not attempt to transport this item with a gas tank installed.

MAINTENANCE

- Store the item in a cool dry place away from direct sunlight.
- The propane gas tank must be disconnected and removed from the item before this item may be stored indoors.
- Use manufacturer approved or supplied replacement parts and accessories only. Otherwise may void the warranty of this product and result in a hazardous condition.
- Keep the item free and clear from combustible materials.

Care & Maintenance

-   ● Do not put hot items directly on furniture surface
 -   ● Do not clean furniture with harsh cleansers or polish.
 -   ● To obtain the longest lifespan of your outdoor products, minimizing exposure to direct sunlight is recommended.
 -   ● Children should not climb or jump on the furniture.
 -   ● Do not write on furniture without a padded barrier to protect the surface.
 -   ● To obtain the longest lifespan of your outdoor products, avoid extended and lengthy exposure to rain, snow, and direct sunshine. Whenever possible cover the product and /or place under patio or awnings.
 -   ● Not for commercial use. For residential use only .
 -   ● Stains may be removed with mild soap solution and damp cloth.
-
-   ● Dust and pick-up spills using a clean, non-colored, lint-free cloth .

Questions & Answers about Proposition 65

• What is Proposition 65?

Proposition 65 requires businesses to provide warnings to Californians about significant exposures to chemicals that cause cancer, birth defects or other reproductive harm. These chemicals can be in the products that Californians purchase, in their homes or workplaces, or that are released into the environment. By requiring that this information be provided, Proposition 65 enables Californians to make informed decisions about their exposures to these chemicals.

Proposition 65 also prohibits California businesses from knowingly discharging significant amounts of listed chemicals into sources of drinking water.

Proposition 65 requires California to publish a list of chemicals known to cause cancer, birth defects or other reproductive harm. This list, which must be updated at least once a year, has grown to include approximately 900 chemicals since it was first published in 1987.

• What types of chemicals are on the Proposition 65 list?

The list contains a wide range of naturally occurring and synthetic chemicals that include additives or ingredients in pesticides, common household products, food, drugs, dyes, or solvents. Listed chemicals may also be used in manufacturing and construction, or they may be byproducts of chemical processes, such as motor vehicle exhaust.

• What does a warning mean?

If a warning is placed on a product label or posted or distributed at a workplace, a business, or in rental housing, the business issuing the warning is aware or believes that it is exposing individuals to one or more listed chemicals.

By law, a warning must be given for listed chemicals unless the exposure is low enough to pose no significant risk of cancer or is significantly below levels observed to cause birth defects or other reproductive harm.

• Where can I get more information on Proposition 65?

If you have specific questions on the administration or implementation of Proposition 65, you can contact OEHHA's Proposition 65 program at P65.Questions@oehha.ca.gov, or by phone at (916) 445-6900.