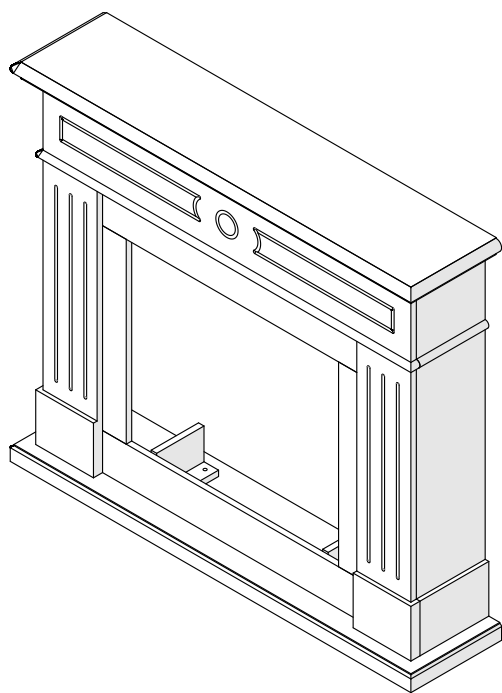
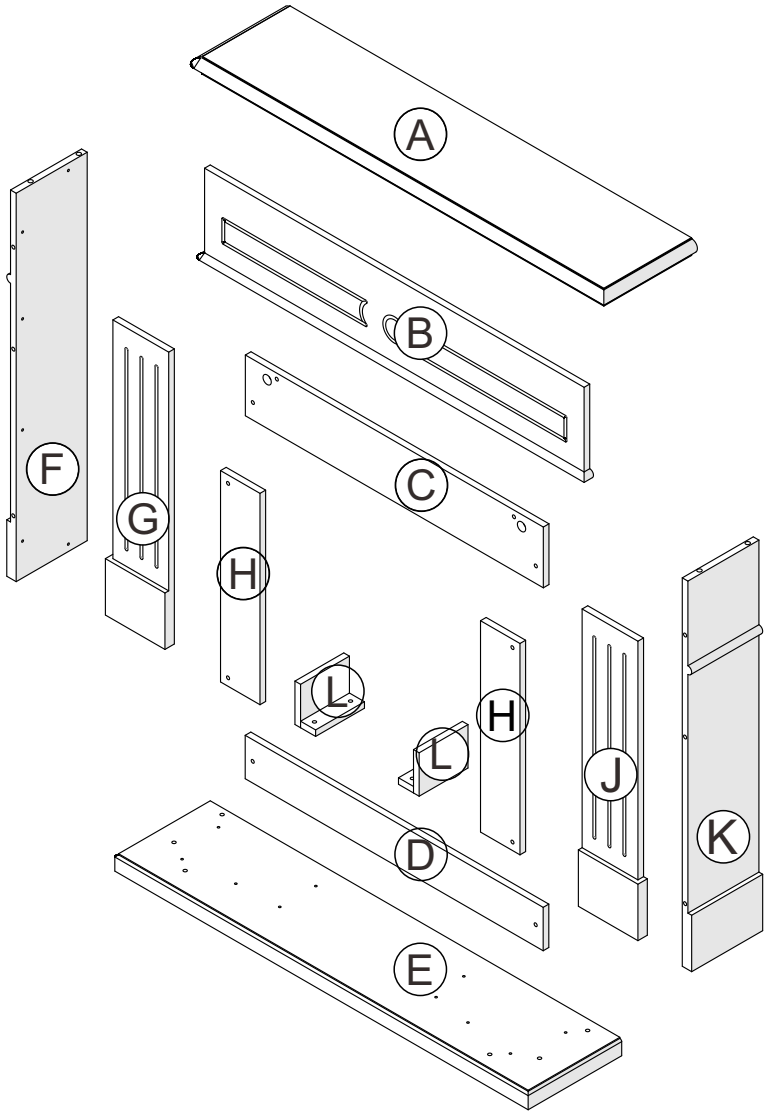


FIREPLACE MANTEL

ASSEMBLY INSTRUCTIONS



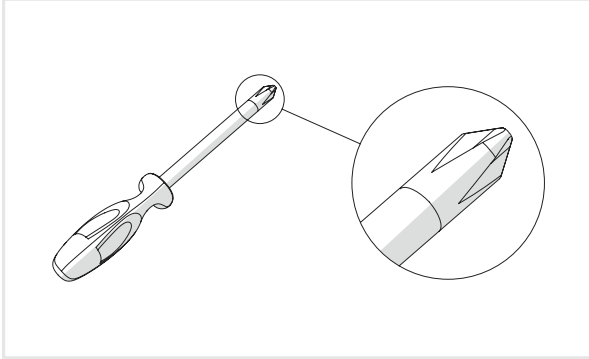
PARTS LIST


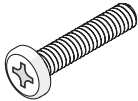
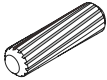

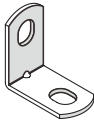
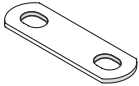



PARTS AND ACCESSORIES

Tools required:

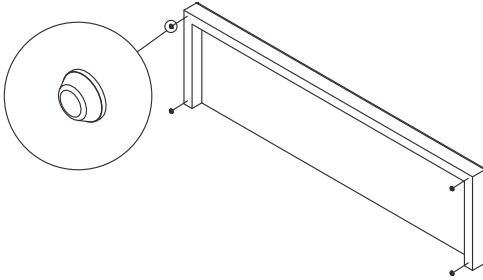
A screwdriver will be needed.



 43 x M6x12mm	 15 x M6x28mm	 17 x ø 8x30mm
 15 x	 20 x	 3 x
 6 x		

ASSEMBLY INSTRUCTIONS

01

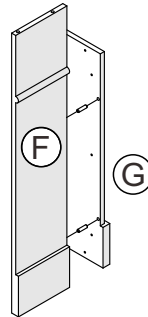
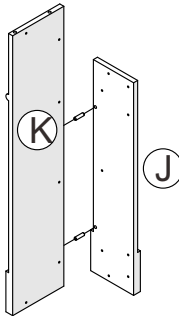


4x

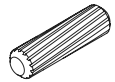


Carry out this assembly step on both sides

02



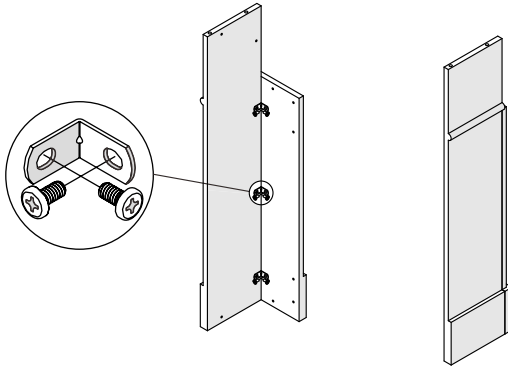
4x





ø 8x30mm

Carry out this assembly step on both sides

03

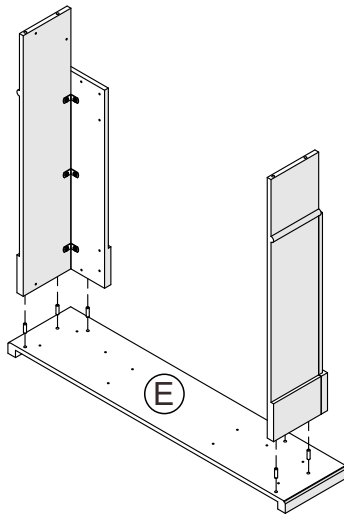


12 x 
M6x12mm

6 x 

Carry out this assembly step on both sides

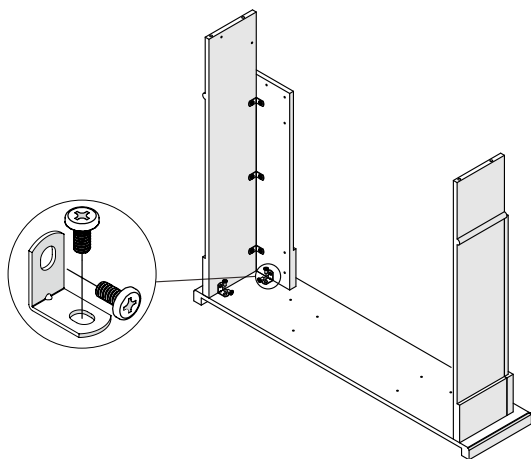
04



6 x 
ø 8x30mm

Carry out this assembly step on both sides

05



8 x



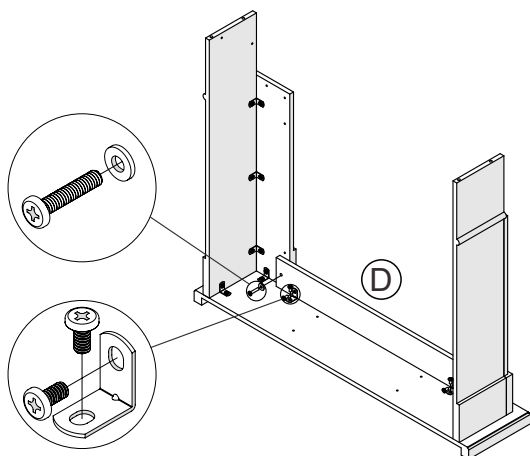
M6x12mm

4 x



Carry out this assembly step on both sides

06



4 x



M6x12mm

2 x



2 x



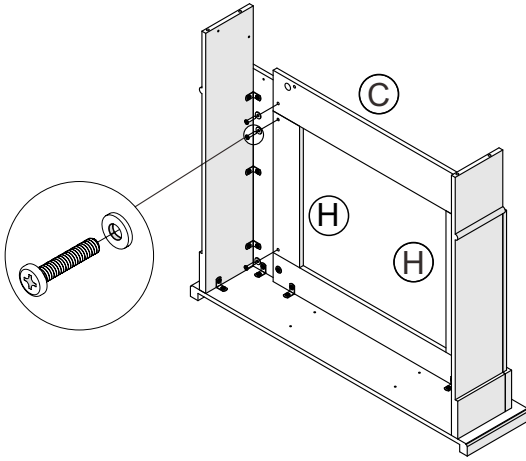
M6x28mm

2 x

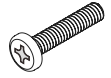


Carry out this assembly step on both sides

07



6x



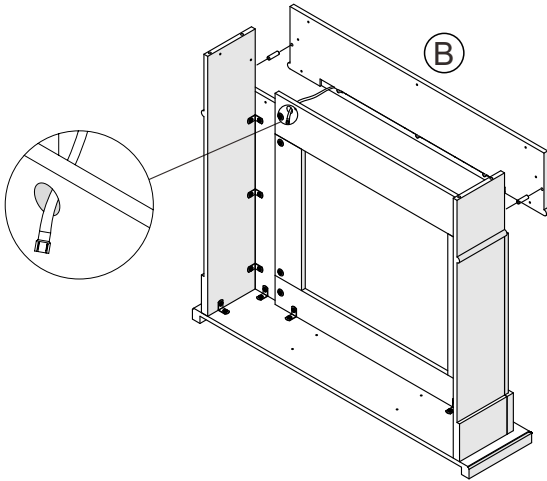
M6x28mm

6x

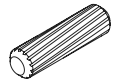


Carry out this assembly step on both sides

08

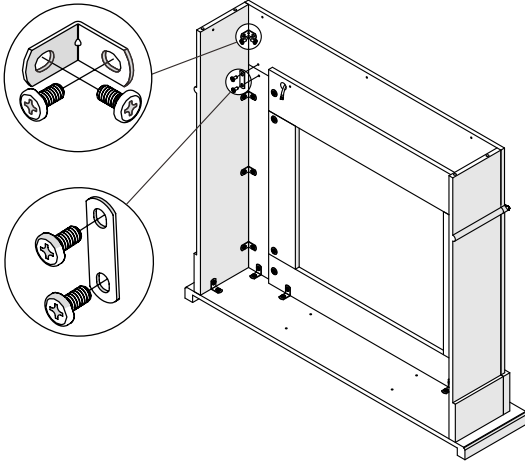


2x



∅ 8x30mm

09



8 x



M6x12mm

2 x

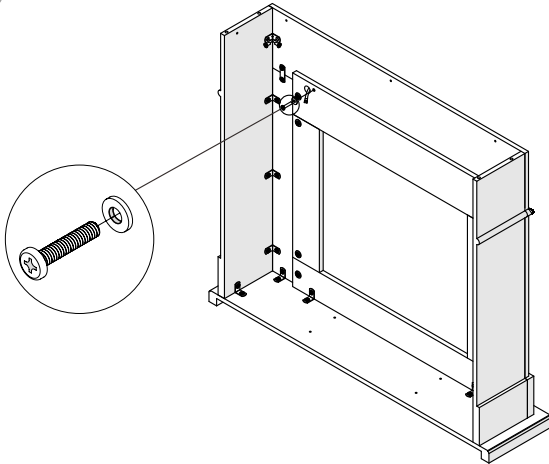


2 x

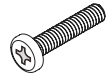


Carry out this assembly step on both sides

10



2 x



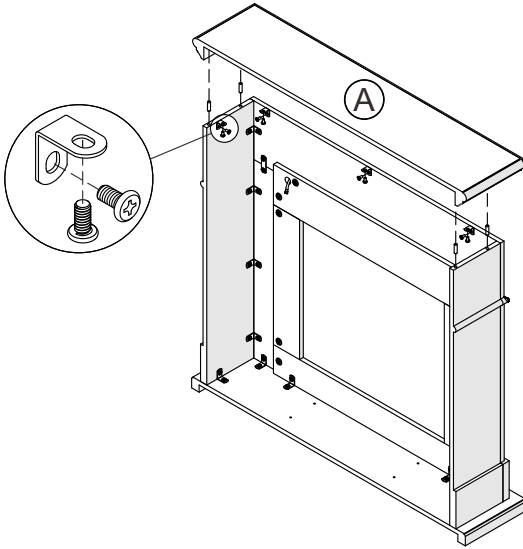
M6x28mm

2 x



Carry out this assembly step on both sides

11



10 x

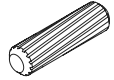


M6x12mm

5 x



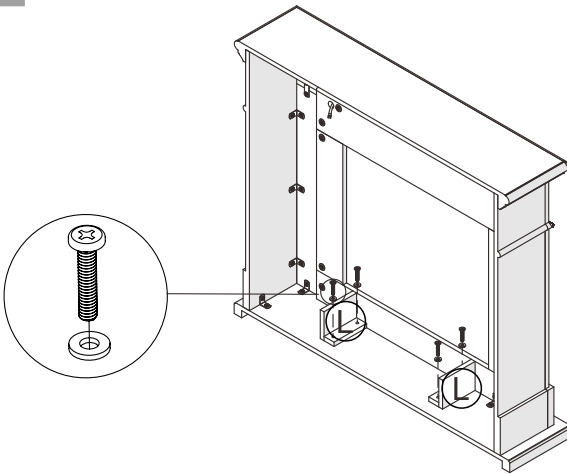
4 x



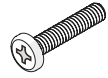
∅ 8x30mm

Carry out this assembly step on both sides

12



4 x



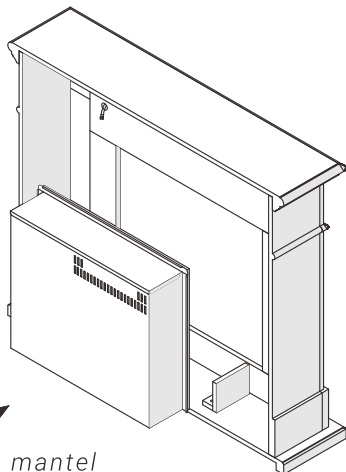
M6x28mm

4 x



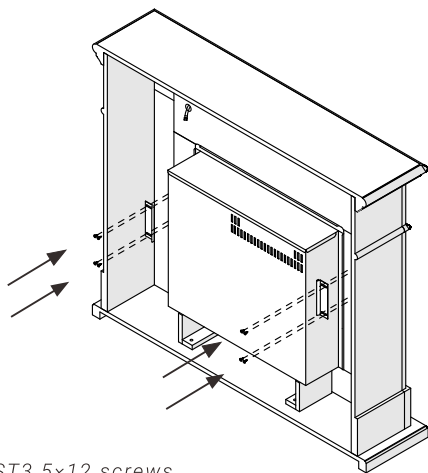
Carry out this assembly step on both sides

13



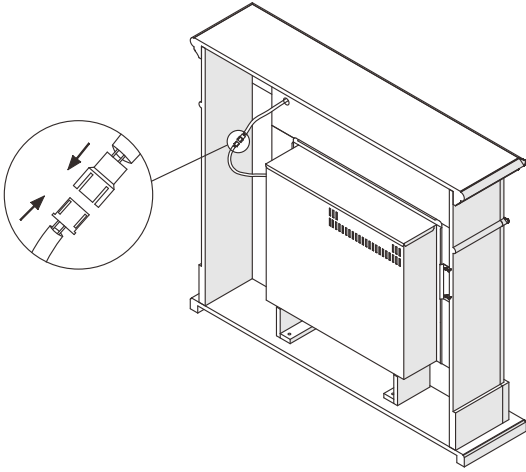
Rear side of the mantel

14



Use 8 pcs ST3.5x12 screws

15



Connect the Mood Light
