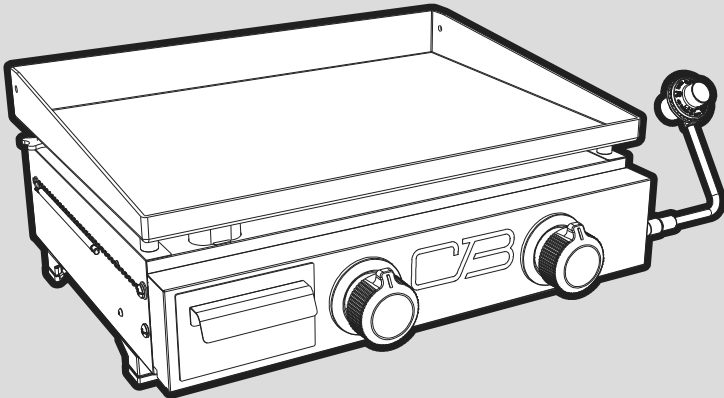




**PRODUCT GUIDE
GUIDES DES PRODUITS
GUÍA DEL PRODUCTO**

2-BURNER GAS GRIDDLE



**FOR OUTDOOR USE ONLY
POUR USAGE EN MILIEU EXTÉRIEUR UNIQUEMENT
ESTE JUEGO SÓLO SE PUEDE USAR EXTERIORS**

- This griddle is designed for use with LP gas only.
- Ce plaque de cuisson est conçu pour être utilisé avec du gaz propane seulement.
- Esta plancha está diseñada para usarse solo con gas LP.

**MODEL
MODÈLE
MODELO** **463614224**

**SERIAL NUMBER
NUMÉRO DE SÉRIE
NÚMERO DE SERIE**

- See rating Label on grill for serial number.
- Ce numéro se trouve sur l'étiquette signalétique sur l'appareil.
- El número de serie se encuentra en la etiqueta de especificaciones de la parrilla.

**DATE PURCHASED
DATE D'CHAT
FECHA DE COMPRA**

TOOLS REQUIRED FOR ASSEMBLY:

- Philips Screwdriver (not provided)

OUTILS REQUIS POUR L'ASSEMBLAGE:

- Tournevis cruciforme (non comprise)

HERRAMIENTAS NECESARIAS PARA EL MONTAJE:

- Destornillador Philips (no incluido)



If you have questions or need assistance during assembly, please call **1-800-241-7548**
Si vous avez des questions ou besoin d'aide pendant l'assemblage, S'il vous plaît appelez **1-800-241-7548**
Si tiene alguna pregunta o si Necesita ayuda durante el Ensamblado, llámenos Al **1-800-241-7548**

TABLE OF CONTENTS

For Your Safety	2-3
Use and Care	4-8
Limited Warranty	9
Parts Diagram	26
Parts List	26
Assembly	28-32
Troubleshooting	33-34
Registration Card	39

INSTALLER/ASSEMBLER:

Leave this manual with consumer.



WARNING

- This instruction manual contains important information necessary for the proper assembly and safe use of the appliance.
- Read and follow all warnings and instructions before assembling and using the appliance.
- Follow all warnings and instructions when using the appliance.
- Keep this manual for future reference.



DANGER

- Never operate this appliance unattended.
- Never operate this appliance within 10ft (3m) of any structure, combustible material or other gas cylinder.
- Never operate this appliance within 25 ft (7.5 m) of any flammable liquid.
- If a fire should occur, keep away from the appliance and immediately call your fire department. Do not attempt to extinguish an oil or grease fire with water.

Failure to follow these instructions could result in fire, explosion or burn hazard, which could cause property damage, personal injury or death.

IMPORTANT SAFETY INFORMATION

SAFETY SYMBOLS

The symbols and boxes shown below explain what each heading means. Read and follow all of the messages found throughout the manual.



CAUTION

CAUTION: Indicates a potentially hazardous situation or unsafe practice which, if not avoided, may result in minor or moderate injury.



WARNING

WARNING: Indicates a potentially hazardous situation which, if not avoided, could result in death or serious injury.



DANGER

DANGER: Indicates an imminently hazardous situation which, if not avoided, will result in death or serious injury.



DANGER

If you smell gas:

1. Shut off gas to the appliance
2. Extinguish any open flame.
3. If odor continues, keep away from the appliance and immediately call your gas supplier or your fire department.



WARNING

1. Do not store or use gasoline or other flammable liquids or vapors in the vicinity of this or any other appliance.
2. An LP cylinder not connected for use shall not be stored in the vicinity of this or any other appliance.



FOR YOUR SAFETY - INSTALLING YOUR GRILL



WARNING

Do not attempt to repair or alter the regulator/valve for any “assumed” defect. Any modification to this assembly will void your warranty and create the risk of a gas leak and fire. Use only authorized replacement parts supplied by manufacturer.

For Safe Use of Your Griddle and to Avoid Serious Injury:

- Do not let children operate or play near griddle.
- Keep griddle area clear and free from materials that burn (i.e. gasoline, propane, or any other flammable liquid or gas).
- Do not block holes in bottom or back of griddle.
- Check burner flames regularly.
- Never use regulator from this griddle with any other LP appliance.
- When cooking, the appliance must be on a level surface in an area clear of combustible material.
- Use griddle only in well-ventilated space. NEVER use in enclosed space such as carport, garage, porch, covered patio, or under an overhead structure of any kind.
- Do not use charcoal or ceramic briquets in a gas griddle. (Unless briquets are supplied with your griddle.)
- This appliance is not intended for and should never be used as a heater.
- **Use griddle at least 2 ft. from any wall or surface. Maintain 10 ft. clearance** to objects that can catch fire or sources of ignition such as pilot lights on water heaters, live electrical appliances, etc..
- **Apartment Dwellers:** Check with management to learn the requirements and fire codes for using an LP gas griddle in your apartment complex. If allowed, use outside on the ground floor with a two (2) foot clearance from walls or rails. Do not use on or under balconies.

This product can expose you to chemicals including Lead, which is known to the State of California to cause cancer and birth defects or other reproductive harm. For more information go to www.P65Warnings.ca.gov.



WARNING

- **The use of alcohol, prescription or non-prescription drugs may impair the consumer's ability to properly assemble or safely operate the appliance.**
- **When cooking with oil or grease, have a type BC or ABC fire extinguisher readily available.**
- **In the event of an oil or grease fire do not attempt to extinguish with water. Immediately call the fire department. A type BC or ABC fire extinguisher may, in some circumstances contain the fire.**
- **In the event of rain, snow, hail sleet, or other forms of precipitation while cooking with oil or grease, cover the cooking vessel immediately and turn off the appliance burners and gas supply. Do not attempt to move the appliance or cooking vessel.**
- **Do not move the appliance when in use. Allow the cooking vessel to cool to 115°F (45°C) before moving or storing.**
- **The cylinder should be disconnected when the appliance is not in use. Only cylinders marked “propane” shall be used.**



CAUTION

- For residential use only. Do not use for commercial cooking.
- Do not leave appliance unattended. Keep children and pets away from appliance at all times.
- Do not use water on a grease fire. Personal injury may result. If a grease fire develops, turn knobs OFF and remove LP cylinder.
- Do not leave griddle unattended while preheating or burning off food residue on HI. If griddle has not been regularly cleaned, a grease fire can occur that may damage the product.

Installation Safety Precautions

- Use griddle, as purchased, only with LP (propane) gas and the regulator/valve assembly supplied.
- Griddle installation must conform with local codes, or in their absence of local codes, with either the National Fuel Gas Code, ANSI Z223.1/ NFPA 54. Storage and handling of liquefied petroleum gasses must conform to LP Gas Code ANSI / NFPA 58. Griddle is not for use in or on recreational vehicles and/ or boats.
- This griddle is safety certified for use in the United States only. Do not modify for use in any other location. Modification will result in a safety hazard.
- Do not leave appliance unattended. Keep children and pets away from appliance at all times.



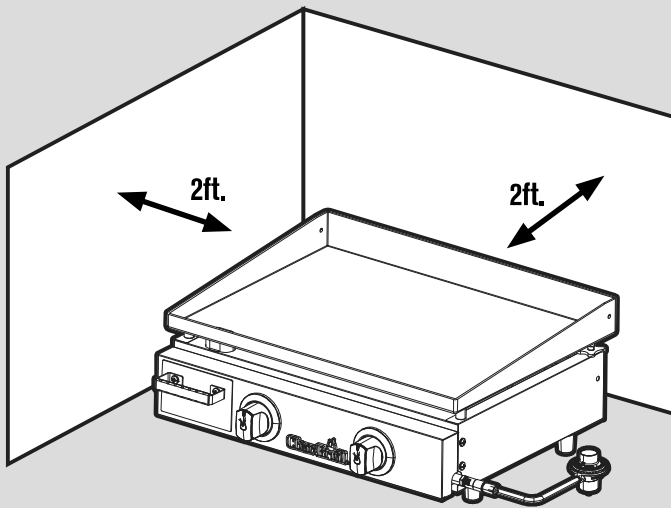
USE AND CARE



WARNING

For Safe Use of Your Grill and to Avoid Serious Injury:

- Do not let children operate or play near grill.
- Keep grill area clear and free from materials that burn.
- Do not block holes in sides or back of grill.
- Check burner flames regularly.
- Use grill only in well-ventilated space. NEVER use in enclosed space such as carport, garage, porch, covered patio, or under an overhead structure of any kind.
- Do not use charcoal or ceramic briquets in a gas grill.
- Do not cover grates with aluminum foil or any other material. This will block burner ventilation and create a potentially dangerous condition resulting in property damage and/or personal injury.
- **Use grill at least 2 ft. from any wall or surface.** Maintain 10 ft. clearance to objects that can catch fire or sources of ignition such as pilot lights on water heaters, live electrical appliances, etc.



- **NEVER attempt to light or re-light burner with lid closed.** A buildup of non-ignited gas inside a closed grill is hazardous.
- **Never operate grill with LP cylinder out of correct position specified in assembly instructions.**
- **Always close LP cylinder valve and remove coupling nut before moving LP cylinder from specified operation position.**
- Apartment Dwellers:
Check with management to learn the requirements and fire codes for using an LP gas grill in your apartment complex. If allowed, use outside on the ground floor with a three (3) foot clearance from walls or rails. Do not use on or under balconies.

LP (Liquefied Petroleum Gas)

- LP gas is nontoxic, odorless and colorless when produced. **For Your Safety**, LP gas has been given an odor (similar to rotten cabbage) so that it can be smelled.
- **LP gas is highly flammable and may ignite unexpectedly when mixed with air.**

Propane Cylinder Use (11lb. Disposable)

- Use only cylinder marked "Propane Fuel".
- Cylinder must be constructed and marked in accordance with the specifications for LP-gas cylinders of the U.S. Department of Transportation (DOT) or the National Standard of Canada, CAN/CSA-B339, Cylinders, Spheres and Tubes for the Transportation of Dangerous Goods.
- Save cylinder cap and reinstall when not in use.
- Cylinder supply system must be arranged for vapor withdrawal. Gas cylinder must be upright in use.

Propane Gas Cylinders

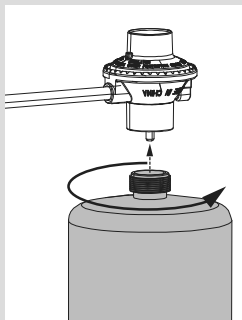
- Your grill is designed to operate with one 16.4 oz. disposable cylinder (DOT 39 Cylinder).
Do not attempt to refill any 16.4 oz. disposable fuel cylinders.
- The cylinder must be installed, transported and stored in an upright position and should not be dropped or handled roughly.
- When the appliance is to be stored indoors, the propane gas cylinder must be disconnected from the appliance.
- When the propane gas cylinder is not disconnected from the appliance, the appliance and cylinder must be stored outdoors in a well-ventilated space.
- The cylinder should never be transported or stored where temperature can reach 125 °F (51 °C).
- Cylinders must be stored outdoors out of the reach of children.
- A disconnected LP cylinder in storage or being transported must have a safety cap installed. Failure to use safety cap as directed may result in serious personal injury and/or property damage.
- Do not store an LP cylinder in enclosed spaces such as a carport, garage, porch, covered patio or other building.

USE AND CARE

Propane Cylinder Installation/Removal

Propane Cylinder Installation:

1. Remove cap from end of Propane cylinder (sold separately).
2. Cap should be kept on cylinder when not in use to prevent dirt and debris from entering Regulator/Valve.
3. Check end of cylinder attachment for dirt and debris. Clean out if necessary.
4. Insert threaded end of Propane Cylinder into Regulator/Valve and hand-tighten turning cylinder clockwise as shown below. **DO NOT USE TOOLS!** Over tightening can damage threads on Regulator/Valve.
5. Perform a leak test.



Propane Cylinder Removal:

1. Turn regulator OFF.
2. Allow Grill to cool.
3. Remove the propane cylinder by turning counter-clockwise until disengaged from the Regulator/Valve.
4. Install cap on cylinder. Cap should be kept on cylinder when not in use to prevent dirt and debris from entering Regulator/Valve.

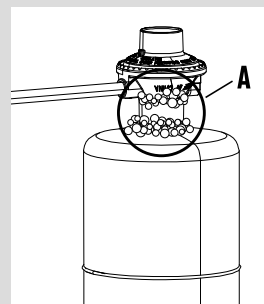
Leak Testing (1lb. Disposable)

- During leak test, keep grill away from open flames or sparks and do not smoke. Grill must be leak tested out doors in a well ventilated area.
- Leak test must be repeated each time gas cylinder is replaced or after storage.

Materials needed include clean paint brush and 50/50 soap and water solution. Use mild soap and water. **Do not use household cleaning agents.** Damage to components can result.

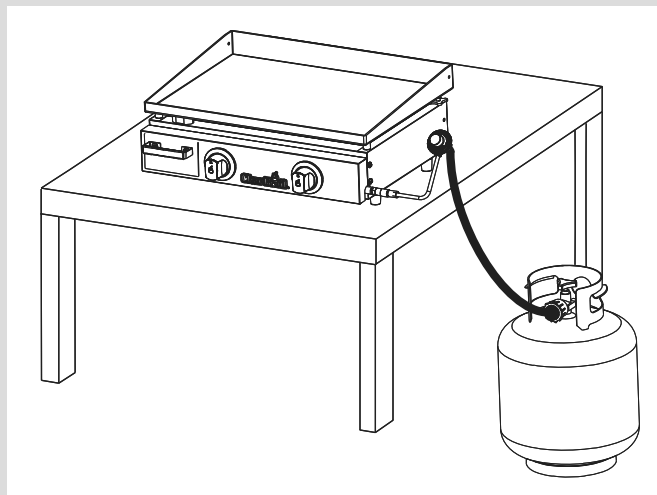
1. Be sure **control knob** on regulator is in "OFF" position.
2. Brush soapy solution onto **connection** between gas cylinder and regulator at **(A)**.

If growing bubbles appear, there is a leak. Retighten connection and repeat steps 1 and 2.

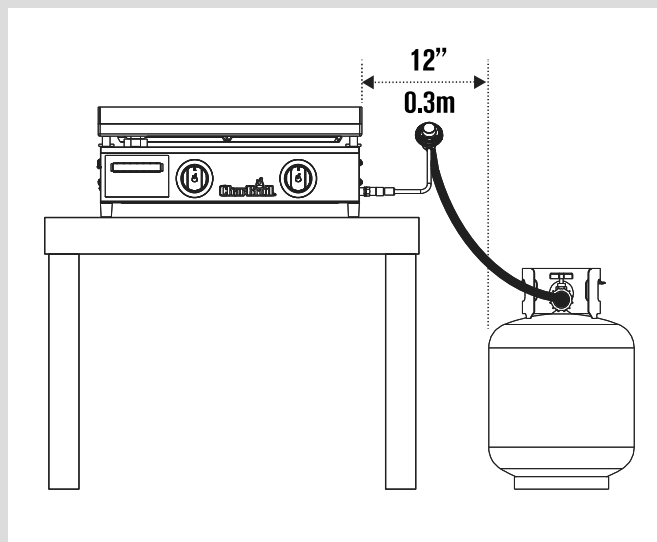


If you can not stop a leak, remove gas cylinder from regulator and check for damaged threads, dirt and debris on regulator and gas cylinder. Also check to see if anything is obstructing flow of gas at regulator and gas cylinder openings. Remove any obstruction that may be found and repeat leak test. **If threads are damaged on either regulator or gas cylinder, replace.** Order new parts by giving the serial, model number and name of items needed to the Grill Service Center at 1-800-232-3398.

For Use With 20lb LP Cylinder



WARNING



USE AND CARE

Ignitor Lighting

- **Do not lean over grill while lighting.**
1. To ignite, push and turn burner knob control knob slowly (2 to 3 seconds) to 🔥. You should hear the ignitor click.
 2. If ignition does NOT occur in 5 seconds, turn the burner control to ○, wait 5 minutes and repeat lighting procedure.
 3. If ignitor does not work, follow match lighting instructions.

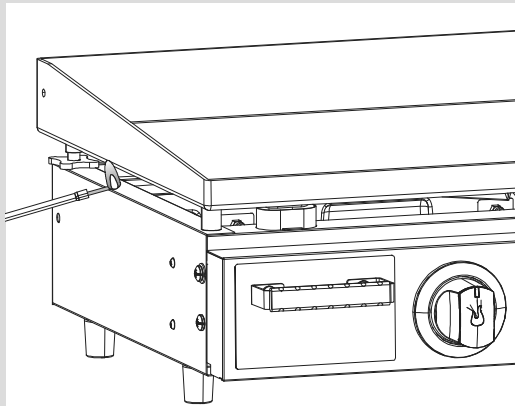


CAUTION

If ignition does NOT occur in 5 seconds, turn the burner controls ○ off, wait 5 minutes and repeat the lighting procedure. If the burner does not ignite with the valve open, gas will continue to flow out of the burner and could accidentally ignite with risk of injury.

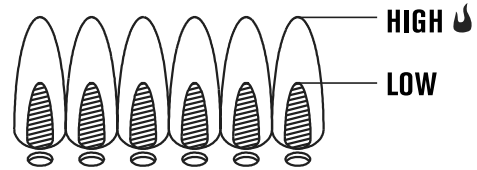
Match-Lighting

- **Do not lean over grill while lighting.**
1. Place match into match holder (hanging from side of grill). Light match; then light burner by placing match with match holder through the gap under griddle. Push and turn burner knob control knob slowly (2 to 3 seconds) to 🔥. Be sure burner lights and stays lit.



Burner Flame Check

- Remove griddle. Light burners, rotate knobs from HIGH to LOW. You should see a smaller flame in LOW position than seen on HIGH. Perform burner flame check on side burner, also. Always check flame prior to each use. If only low flame is seen refer to “Sudden drop or low flame” in the Troubleshooting Section.



Turning Grill Off

- Turn all knobs to the ○ off position.

Valve Check

- Important: Knobs lock in off position. To check valves, first push in knobs and release, knobs should spring back. If knobs do not spring back, replace valve assembly before using grill. Turn knobs to LOW position then turn back to off position. Valves should turn smoothly.

Storing Your Grill

- Allow grill to cool completely.
- Remove Propane cylinder and install protective cap over outlet threads.
- Clean griddle.
- Store in dry location.
- Cover grill if stored outdoors. Choose from a variety of grill covers offered by Char-Broil at charbroil.com.
- When removing grill from storage, follow “Cleaning the Burner Assembly” instructions before starting grill.

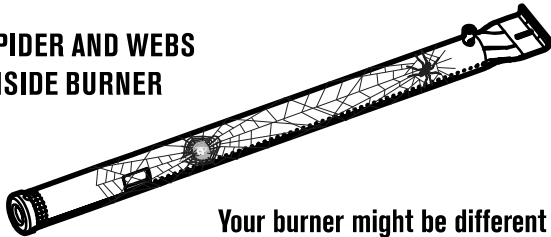
USE AND CARE



CAUTION

SPIDER ALERT!

SPIDER AND WEBS INSIDE BURNER



Your burner might be different

If your grill is getting hard to light or the flame is weak, check and clean the venturis and burners.

Spiders or small insects are known to create “flashback” problems by building nests and laying eggs in the grill’s venturi or burner, obstructing the flow of gas. The back-up gas can ignite behind the control panel. This flashback can damage your grill and cause injury. To prevent flashbacks and ensure good performance the burner and venturi tube assembly should be removed and cleaned when ever the grill has been idle for an extended period of time.

General Grill Cleaning

- Plastic parts: Wash with warm soapy water and wipe dry.
 - Do not use citrisol, abrasive cleaners, degreasers or a concentrated grill cleaner on plastic parts. Damage to and failure of parts can result.
- Porcelain surfaces: Because of glass-like composition, most residue can be wiped away with baking soda/water solution or specially formulated cleaner. Use nonabrasive scouring powder for stubborn stains.
- Painted surfaces: Wash with mild detergent or nonabrasive cleaner and warm soapy water. Wipe dry with a soft nonabrasive cloth.
- Stainless steel surfaces: To maintain your grill’s high quality appearance, wash with mild detergent and warm soapy water and wipe dry with a soft cloth after each use. Baked-on grease deposits may require the use of an abrasive plastic cleaning pad. Use only in direction of brushed finish to avoid damage. Do not use abrasive pad on areas with graphics.
- Cooking surfaces: If a bristle brush is used to clean any of the grill cooking surfaces, ensure no loose bristles remain on cooking surfaces prior to grilling. It is NOT recommended to clean cooking surfaces while grill is hot.

Griddle Care

- First Time Use
 - Before using your griddle, wash it thoroughly with a mild dishwashing liquid to remove the protective coating applied for shipping. Rinse with hot water and dry completely with a soft cloth or paper towel. NEVER ALLOW TO DRAIN DRY. Now season the griddle to prevent rust and sticking.
- Seasoning
 - A cooking oil with a high smoke point (such as avocado, olive, or canola oil) is recommended for the initial seasoning. Spread a thin coating of oil over the entire surface, including walls and corners, with a paper towel. Turn on the griddle and allow to heat on high for 20-30 minutes with the lid closed. Turn off the burners and allow the griddle to cool. Your griddle should have a smooth, glossy black surface. Your griddle is now ready to use.
- To Prevent Rusting
 - Re-season your griddle frequently, particularly when new. If rust occurs, it is an indication that the griddle has not been seasoned enough or the seasoning has been burned off. Scour the rust spot with a heavy brush or steel wool. Reapply a coating of your cooking oil, and season the griddle again.
- Maintenance
 - Do not do a burn-off after you grill. For any excess food particles and oil, wipe/brush towards the grease drain. Leaving some oil on the griddle surface is okay, and will help to provide a protective coating on the griddle. The more you use your griddle, the easier maintenance will be. For the least amount of maintenance, store your unit in a dry place. If you store your griddle for an extended period of time, apply a thin coating of cooking oil to your griddle, and wipe dry with a paper towel.

USE AND CARE

Cleaning the Burner Assembly

Follow these instructions to clean and/or replace parts of burner assembly or if you have trouble igniting grill.

1. Turn gas off at control knobs.
2. Remove griddle and grease cup.
3. Remove hardware securing burners and control panel (Figure A).
4. Unplug electrode wires (Figure B).
5. Detach electrode from burner.

NOTE: Removal/Detachment method will depend on the burner configuration. See different configurations in illustrations below.

6. Carefully lift each burner up and away from valve openings. We suggest three ways to clean the burner tubes. Use the one easiest for you.
(A) Bend a stiff wire (a light weight coat hanger works well) into a small hook.



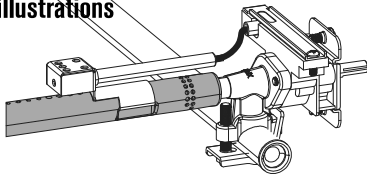
(B) Use a narrow bottle brush with a flexible handle (do not use a brass wire brush). Run the brush through each burner tube several times.

(C) Wear eye protection: Use an air hose to force air into the burner tube and out the burner ports. Check each port to make sure air comes out each hole.

7. Wire brush entire outer surface of burner to remove food residue and dirt.
8. Clean any blocked ports with a stiff wire such as an open paper clip.
9. Check burner for damage due to normal wear and corrosion, some holes may become enlarged. If any large cracks or holes are found, replace burner.

VERY IMPORTANT: Burner tubes must reengage valve openings. See illustrations at right.

Correct burner-to-valve engagement



10. Attach electrode to burner.
11. Carefully replace and secure burners.
12. Connect electrode wires.
13. Replace griddle and grease cup.
14. Before cooking again on grill, perform a "Leak Test" and "Burner Flame Check".

FIGURE A

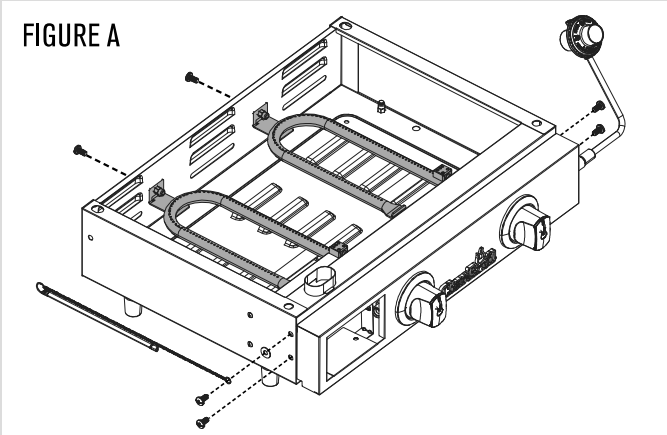
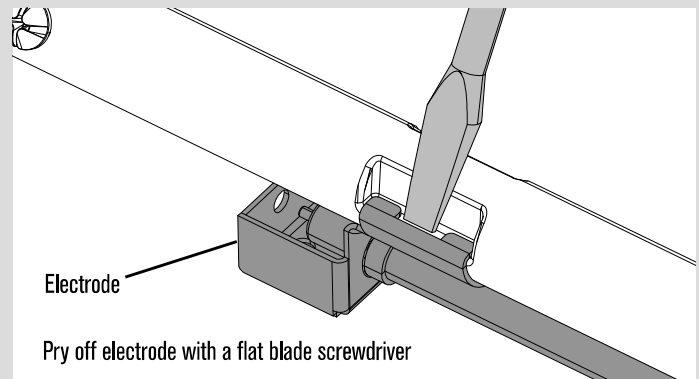
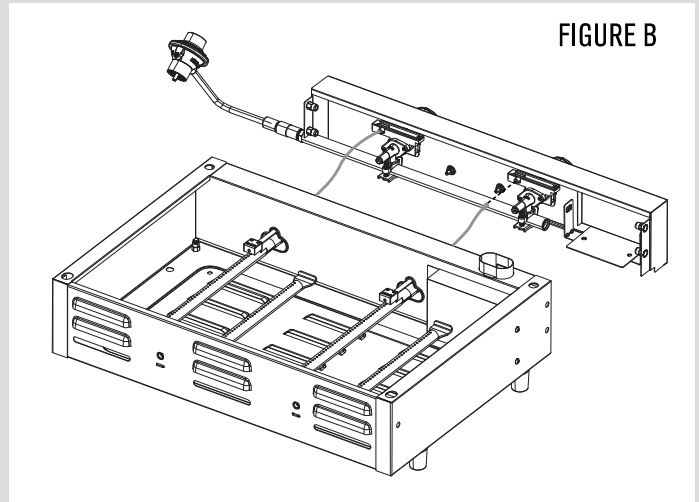


FIGURE B



LIMITED WARRANTY

This warranty only applies to units purchased from an authorized retailer. Manufacturer warrants to the **original consumer-purchaser** only that this product shall be free from defects in workmanship and materials after correct assembly and under normal and reasonable home use for the periods indicated below beginning on the date of purchase*. The manufacturer reserves the right to require that defective parts be returned, postage and or freight pre-paid by the consumer for review and examination.

SCOPE OF COVERAGE	PERIOD OF COVERAGE	TYPE OF FAILURE COVERAGE
All Parts	2 year from date of purchase*	PERFORATION, MANUFACTURING, AND MATERIAL DEFECTS ONLY

*Note: A dated sales receipt WILL be required for warranty service.

The original consumer-purchaser will be responsible for all shipping charges for parts replaced under the terms of this limited warranty.

This limited warranty is applicable in the United States and Canada only, is only available to the original owner of the product and is not transferable. **Manufacturer requires proof of your date of purchase. Therefore, you should retain your sales slip or invoice.** Registering your product is not a substitute for proof of purchase and the manufacturer is not responsible for or required to retain proof of purchase records.

This limited warranty applies to the functionality of the product **ONLY** and does not cover cosmetic issues such as scratches, dents, corrosions or discoloring by heat, abrasive and chemical cleaners or any tools used in the assembly or installation of the appliance, surface rust, or the discoloration of stainless steel surfaces. Paint is not warranted and will require touch up. **RUST is not considered a manufacturing or materials defect.**

This limited warranty will not reimburse you for the cost of any inconvenience, food, personal injury or property damage.

ITEMS MANUFACTURER WILL NOT PAY FOR:

1. Shipping cost, standard or expedited, for warranty and replacement parts.
2. Service calls to your home.
3. Repairs when your product is used for other than normal, single-family household or residential use.
4. Damage, failures, or operating difficulties resulting from accident, alteration, careless handling, misuse, abuse, fire, flood, acts of God, improper installation or maintenance, installation not in accordance with electrical or plumbing codes, or use of products not approved by the manufacturer.
5. Any food loss due to product failures or operating difficulties.
6. Replacement parts or repair labor costs for units operated outside the United States or Canada.
7. Pickup and delivery of your product.
8. Repairs to parts or systems resulting from unauthorized modifications made to the product.
9. The removal and/or reinstallation of your product.

DISCLAIMER OF IMPLIED WARRANTIES and LIMITATION OF REMEDIES

Repair or replacement of defective parts is your exclusive remedy under the terms of this limited warranty. In the event of parts availability issues, the manufacturer reserves the right to substitute like or similar parts that are equally functional.

Manufacturer will not be responsible for any consequential or incidental damages arising from the breach of either this limited warranty or any applicable implied warranty, or for failure or damage resulting from acts of God, improper care and maintenance, grease fire, accident, alteration, replacement of parts by anyone other than Manufacturer, misuse, transportation, commercial use, abuse, hostile environments (inclement weather, acts of nature, animal tampering), improper installation or installation not in accordance with local codes or printed manufacturer instructions.

THIS LIMITED WARRANTY IS THE SOLE EXPRESS WARRANTY GIVEN BY THE MANUFACTURER. NO PRODUCT PERFORMANCE SPECIFICATION OR DESCRIPTION WHEREVER APPEARING IS WARRANTED BY MANUFACTURER EXCEPT TO THE EXTENT SET FORTH IN THIS LIMITED WARRANTY. ANY IMPLIED WARRANTY PROTECTION ARISING UNDER THE LAWS OF ANY STATE, INCLUDING IMPLIED WARRANTY OF MERCHANTABILITY OR FITNESS FOR A PARTICULAR PURPOSE OR USE, IS HEREBY LIMITED IN DURATION TO THE DURATION OF THIS LIMITED WARRANTY.

Neither dealers nor the retail establishment selling this product has any authority to make any additional warranties or to promise remedies in addition to or inconsistent with those stated above. Manufacturer's **maximum liability**, in any event, shall not exceed the purchase price of the product paid by the original consumer.

NOTE: Some states do not allow an exclusion or limitation of incidental or consequential damages, so some of the above limitations or exclusions may not apply to you. This limited warranty gives you specific legal rights as set forth herein. You may also have other rights which vary from state to state. In the state of California only, if refinishing or replacement of the product is not commercially practicable, the retailer selling this product or the Manufacturer will refund the purchase price paid for the product, less the amount directly attributable to use by the original consumer-purchaser prior to discovery of the nonconformity. In addition, in the state of California only, you may take the product to the retail establishment selling this product in order to obtain performance under this limited warranty.

If you wish to obtain performance of any obligation under this limited warranty, you should write to:

**Consumer Relations
P. O. Box 1240
Columbus, GA 31904-1240**

Consumer returns will not be accepted unless a valid Return Authorization is first acquired. Authorized returns are clearly marked on the outside of the package with an RA number and the package is shipped freight/postage pre-paid. Consumer returns that do not meet these standards will be refused.



TABLE DES MATIÈRES

Pour votre sécurité	10-11
Utilisation et entretien	12-16
Garantie limitée	17
Schéma des pièces	26
Nomenclature des pièces	27
Assemblage	28-32
Dépannage	35-36
Fiche d'enregistrement	39

INSTALLATEUR / ASSEMBLEUR :

Vous devez laisser le présent manuel au client.

AVERTISSEMENT

- Ce manuel d'instructions contient des renseignements importants et nécessaires au bon assemblage et à l'utilisation sécuritaire de l'appareil.
- Lisez et suivez la totalité des avertissements et des instructions fournis avant d'assembler et d'utiliser l'appareil.
- Suivez la totalité des avertissements et des instructions lors de l'utilisation de l'appareil.
- Conservez ce manuel pour consultation future.

DANGER

- Ne laissez jamais fonctionner cet appareil sans surveillance.
- Ne faites jamais fonctionner cet appareil à moins de 3 m (10 pi) de toute structure, matière combustible ou d'une autre bonbonne de gaz.
- Ne faites jamais fonctionner cet appareil à moins de 7,5 m (25 pieds) de tout liquide inflammable.
- Si un incendie se déclare, éloignez-vous de l'appareil et appelez immédiatement votre service d'incendie. Ne tentez pas d'éteindre un feu de graisse ou d'huile avec de l'eau.

Le non respect de ces instructions pourrait provoquer un incendie, une explosion ou un risque de brûlure, ce qui pourrait causer des dommages à la propriété, des blessures corporelles ou la mort.

RENSEIGNEMENTS DE SÉCURITÉ IMPORTANTS

SYMBOLES DE SÉCURITÉ

Vous trouverez ci-dessous une explication du sens de chaque symbole. Lisez et respectez toutes les consignes qui apparaissent partout dans ce guide.



ATTENTION

ATTENTION : indique une situation potentiellement dangereuse ou une pratique à risque qui, si elle n'est pas évitée, pourrait entraîner des blessures mineures ou modérément graves.



AVERTISSEMENT

AVERTISSEMENT : indique des conditions qui représentent un risque d'accident; à défaut de prendre les mesures correctives appropriées, la mort ou de graves blessures s'ensuivront.



DANGER

DANGER : indique des conditions qui représentent un danger imminent; à défaut de prendre les mesures correctives appropriées, la mort ou de graves blessures s'ensuivront.



DANGER

S'il y a une odeur de gaz :

1. Coupez l'admission de gaz de l'appareil.
2. Éteindre toute flamme nue.
3. Ouvrir le couvercle.
4. Si l'odeur persiste, éloignez-vous de l'appareil et appelez immédiatement le fournisseur de gaz ou le service d'incendie.



AVERTISSEMENT

1. Ne pas entreposer ni utiliser de l'essence ni d'autres vapeurs ou liquides inflammables dans le voisinage de l'appareil, ni de tout autre appareil.
2. Une bouteille de propane qui n'est pas raccordée en vue son utilisation, ne doit pas être entreposée dans le voisinage de cet appareil ou de tout autre appareil.

POUR VOTRE SÉCURITÉ – INSTALLATION DE VOTRE GRIL



AVERTISSEMENT

Ne tentez pas de réparer ou de modifier le régulateur ou le robinet à cause d'une défectuosité présumée. Toute modification de cet assemblage annulera votre garantie et générera un risque de fuite de gaz et d'incendie. N'utilisez que les pièces de remplacement autorisées fournies par le fabricant.

Pour un usage sécuritaire de votre gril et afin d'éviter une blessure grave :

- Ne laissez pas les enfants utiliser l'appareil ou jouer à proximité.
- Maintenez la zone avoisinant le gril libre de toute matière combustible (par ex., l'essence, le gaz propane ou tout autre liquide ou gaz inflammable).
- Ne bloquez pas les orifices qui se trouvent à la base ou à l'arrière du gril.
- Vérifiez régulièrement les flammes du brûleur.
- N'utilisez jamais le régulateur de ce gril sur un autre appareil au gaz propane.
- L'appareil doit être sur une surface plane et libre de toute matière combustible pendant la cuisson.
- N'utilisez le gril que dans un endroit bien ventilé. N'UTILISEZ JAMAIS le gril dans un endroit clos, comme un abri d'auto, un garage, une véranda, une terrasse couverte ou toute autre structure aérienne.
- N'utilisez pas de charbon de bois ou de briquettes de céramique dans un gril au gaz (à moins que celles-ci aient été fournies avec votre gril).
- Cet appareil n'est pas conçu pour être utilisé comme appareil de chauffage et ne devrait jamais être utilisé comme tel.
- **Utilisez-le à au moins 60 cm (2 pi) de toute paroi ou surface.** Maintenez un dégagement de 3 m à partir de tout objet pouvant s'enflammer ou être une source d'inflammation comme le voyant lumineux d'un chauffe-eau, un appareil électrique branché, etc..
- **Si vous habitez un appartement :** Communiquez avec les responsables du bâtiment pour connaître les exigences et codes de prévention des incendies liés à l'utilisation d'un gril au gaz propane dans votre complexe résidentiel. Si son usage est permis, utilisez-le sur le terrain, au rez-de-chaussée, en conservant une distance d'un 60 cm (2 pi) des murs ou mains courantes. Ne l'utilisez pas sur ou sous les balcons.

Ce produit peut vous exposer à des produits chimiques, y compris plomb que l'État de Californie connaît causer le cancer et les malformations congénitales ou autres problèmes de reproduction. Pour plus d'informations, visitez www.P65Warnings.ca.gov.



AVERTISSEMENT

- **La consommation d'alcool, de médicaments avec ou sans ordonnance peut nuire à la capacité de l'utilisateur d'assembler correctement et d'utiliser l'appareil en toute sécurité.**
- **Lorsque vous préparez des aliments avec de l'huile ou de la graisse, conservez un extincteur de type BC ou ABC à portée de la main.**
- **Ne tentez pas d'éteindre un feu d'huile ou de graisse avec de l'eau. Appelez immédiatement les pompiers. Un extincteur de type BC ou ABC peut parfois confiner l'incendie.**
- **En cas de pluie, de neige, de grêle, de grésil ou d'une autre forme de précipitation pendant la cuisson à l'huile ou à la graisse, mettez immédiatement le couvercle sur le contenant de cuisson et éteignez les brûleurs et l'alimentation en gaz de l'appareil. N'essayez pas de déplacer l'appareil ou le contenant de cuisson.**
- **Ne déplacez pas l'appareil pendant l'utilisation. Attendez que le contenant de cuisson ait refroidi suffisamment pour atteindre une température inférieure à 45 °C (115 °F) avant de le déplacer ou de l'entreposer.**
- **La bouteille doit être déconnectée quand l'appareil n'est pas utilisé. Seules les bouteilles portant la mention « Propane » doivent être utilisées.**



ATTENTION

- Pour usage résidentiel seulement. Ne pas utiliser pour une cuisine commerciale
- Ne laissez pas l'appareil sans surveillance. Gardez les enfants et animaux de compagnie à distance de l'appareil en tout temps.
- N'utilisez pas d'eau sur un feu de graisse. Cela pourrait entraîner des blessures corporelles. Si un feu de graisse se déclare, mettez les boutons à OFF et débranchez la bonbonne de gaz.
- Ne laissez pas le gril sans surveillance lorsque vous préchauffez ou brûlez les résidus de nourriture à haute température (HI). Si le gril n'a pas été nettoyé régulièrement, un feu de graisse

Mesures de sécurité pour l'installation

- N'utilisez le gril qu'avec des bonbonnes de gaz propane et avec l'assemblage de régulateur et valves fournis avec l'appareil.
- L'installation du gril doit respecter la réglementation locale et, en l'absence de celle-ci, le National Fuel Gas Code, ANSI Z223,1/ NFPA 54. L'entreposage et la manutention de gaz de pétrole liquéfiés doit respecter le Code ANSI / NFPA 58 sur le gaz propane. Ce gril n'est pas conçu pour être utilisé dans des véhicules récréatifs ou sur un bateau.
- Ce gril n'est certifié pour un usage sécuritaire qu'aux États-Unis. Il est interdit de le modifier pour un usage à un autre endroit. Toute modification entraînera un risque pour la sécurité.
- Ne laissez pas l'appareil sans surveillance. Gardez les enfants et animaux de compagnie à distance de l'appareil en tout temps.



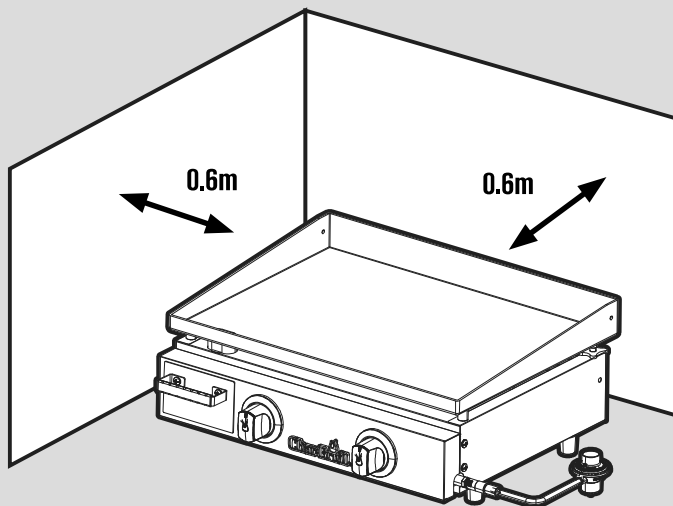
UTILISATION ET ENTRETIEN



AVERTISSEMENT

Pour utiliser votre gril en toute sécurité et pour éviter des blessures graves :

- Ne laissez pas les enfants utiliser le gril ou jouer à proximité de celui-ci.
- Gardez l'espace autour du gril propre et libre de tout matériel inflammable.
- Ne bouchez pas les trous situés sur les côtés ou à l'arrière du gril.
- Vérifiez périodiquement les flammes du brûleur.
- Ne vous servez du gril que dans un endroit bien aéré. Ne l'utilisez JAMAIS dans un endroit fermé comme un abri d'auto, un garage, un porche, un patio couvert ou sous toute surface surplombante quelle qu'elle soit.
- N'utilisez pas de charbon ni de briquettes en céramique dans un gril à gaz.
- Ne couvrez pas les grilles avec des feuilles d'aluminium ou tout autre matériau. Cela empêchera la ventilation du brûleur et sera à l'origine de conditions potentiellement dangereuses pouvant entraîner des dommages matériels ou des blessures graves.
- Gardez une distance d'au moins 0,6 m (2 pieds) entre le gril et tout mur ou surface. Gardez une distance de 3 m (10 pi) entre le gril et tout objet inflammable ou toute source d'ignition telle que la veilleuse d'un chauffe-eau, un appareil électroménager sous tension, etc.



- N'essayez JAMAIS d'allumer un brûleur lorsque le couvercle du gril est fermé. Une accumulation de gaz non brûlé à l'intérieur d'un gril fermé constitue un danger.
- N'utilisez pas le gril lorsque le réservoir de GPL n'est pas dans la position appropriée telle que spécifiée dans les instructions d'assemblage.
- Refermez toujours la valve du réservoir et enlevez l'écrou de raccord avant de déplacer le réservoir de GPL de sa position de fonctionnement.
- Résidents d'appartements:
 - Renseignez-vous auprès de l'administration pour connaître quelles sont les exigences et les codes d'incendie applicables à l'utilisation d'un gril à gaz dans votre immeuble. Si l'utilisation du gril est permise, utilisez-le à l'extérieur au rez-de-chaussée à une distance de 1 m (3 pi) des murs ou des rampes. Ne l'utilisez pas sur un balcon ou en dessous de celui-ci.

GPL (Gaz de pétrole liquéfié, ou gaz propane liquide)

- Le GPL n'est pas toxique; il est incolore et inodore lorsqu'il est produit. Pour votre propre protection, une odeur est ajoutée au GPL (semblable à l'odeur de chou pourri) afin que vous puissiez le sentir.
- Le GPL est très inflammable et peut s'allumer de manière inattendue.

Utilisation d'une bouteille de propane (bouteille jetable de 1 lb)

- N'utilisez que des bouteilles portant la mention « Propane ».
- La bouteille doit être fabriquée et marquée conformément aux spécifications du département des Transports des États-Unis (DOT) pour les bouteilles de propane ou à la norme nationale CAN/CSA B339 de Transport Canada relative aux bouteilles, sphères et tuyaux pour le transport des marchandises dangereuses.
- Conservez le bouchon de la bouteille et remettez-le en place lorsque celle-ci ne sert pas.
- Le système d'alimentation de la bouteille doit être disposé pour permettre l'évacuation des vapeurs. La bouteille de gaz doit rester en position verticale pendant l'utilisation.

Bouteilles de propane

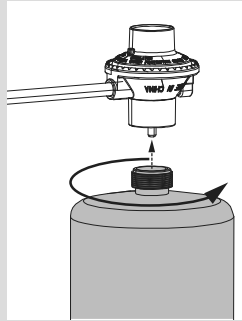
- Votre gril est conçu pour fonctionner avec une bouteille jetable de 16,4 oz (bouteille DOT 39).
N'essayez pas de remplir les bouteilles jetables de 16,4 oz.
- Il faut installer, transporter et entreposer la bouteille en position verticale et éviter de la laisser tomber ou de la manipuler sans précaution.
- Lorsque l'appareil est entreposé à l'intérieur, il faut débrancher la bouteille de propane de l'appareil.
- Lorsque la bouteille de propane n'est pas raccordée à l'appareil, ce dernier et la bouteille doivent être entreposés à l'intérieur dans un espace bien aéré.
- Il ne faut jamais transporter ou entreposer la bonbonne si la température peut atteindre 51 °C (125 °F).
- Il faut entreposer les bouteilles à l'extérieur, hors de la portée des enfants.
- Le capuchon de sécurité doit être installé sur toute bonbonne de gaz propane débranchée qui est entreposée ou transportée. Tout manquement à utiliser le capuchon de sécurité selon les instructions pourrait entraîner des blessures ou des dommages matériels graves.
- N'entreposez jamais une bouteille de GPL dans un endroit clos, comme un abri d'auto, un garage, une véranda, une terrasse couverte ou un autre bâtiment.

UTILISATION ET ENTRETIEN

Installation et retrait de la bouteille de propane

Installation de la bouteille de propane :

1. Retirez le bouchon de l'extrémité de la bouteille de propane (vendue séparément).
2. Le bouchon doit rester sur la bouteille lorsqu'elle n'est pas utilisée pour empêcher la saleté et les débris de pénétrer dans le régulateur/la valve.
3. Vérifiez que l'extrémité de l'attache du cylindre n'est pas encrassée et est libre de débris. Nettoyez-la si nécessaire.
4. Insérez l'extrémité fileté de la bouteille de propane dans le régulateur/la valve et serrez-la à la main en tournant la bouteille dans le sens des aiguilles d'une montre comme indiqué ci-dessous. **N'UTILISEZ PAS D'OUTILS!** Un serrage excessif peut endommager les filets du régulateur/de la valve.
5. Effectuez un essai d'étanchéité.



Retrait de la bouteille de propane :

1. Éteignez le régulateur.
2. Laissez le gril refroidir.
3. Retirez la bouteille de propane en la tournant dans le sens inverse des aiguilles d'une montre jusqu'à ce qu'elle se détache du régulateur/de la valve.
4. Installez le bouchon sur la bouteille. Le bouchon doit rester sur la bouteille lorsqu'elle n'est pas utilisée pour empêcher la saleté et les débris de pénétrer dans le régulateur/la valve.

Essai d'étanchéité (bouteille jetable de 1 lb)

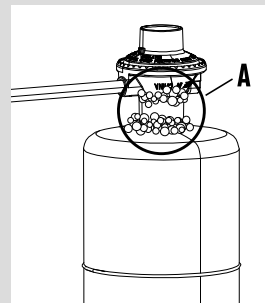
- Pendant l'essai d'étanchéité, gardez le gril à l'écart des flammes nues ou des étincelles, et ne fumez pas. Il faut effectuer l'essai d'étanchéité dehors, dans un endroit bien ventilé.
- Il faut effectuer l'essai d'étanchéité après chaque remplacement de la bouteille de gaz ou après l'entreposage.

Les matériaux nécessaires comprennent un pinceau propre et une solution d'eau savonneuse à 50/50. Utilisez un savon doux et de l'eau. N'utilisez pas de produits de nettoyage domestique. Cela pourrait endommager les composants.

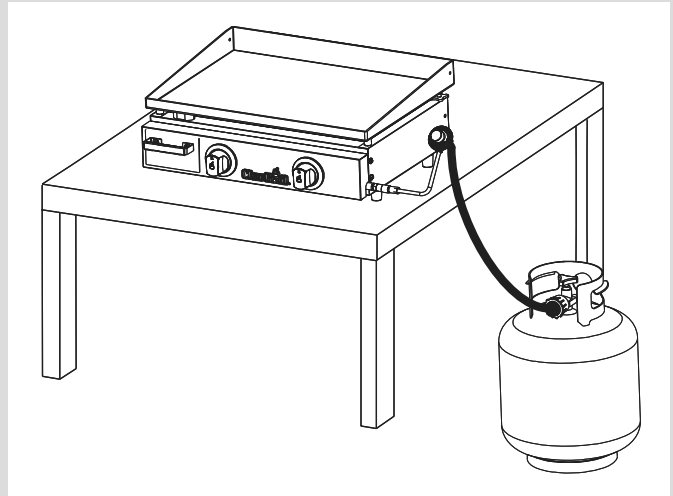
1. Assurez-vous que le OFF du régulateur est sur la position « OFF » (ARRÊT).
2. Brossez la solution savonneuse sur le raccord entre la bouteille de gaz et le régulateur en (A).

Si des bulles qui « grossissent » apparaissent, il y a une fuite. Resserrez le raccord, et répétez les étapes 1 et 2.

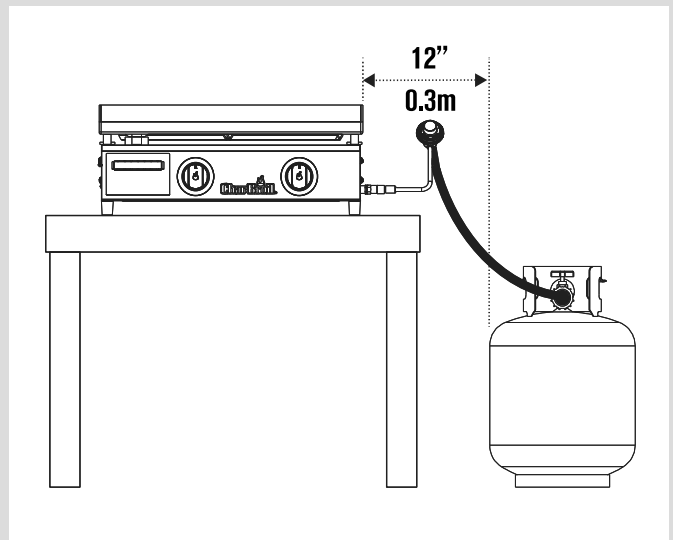
Si vous ne pouvez pas faire cesser une fuite, retirez la bouteille de gaz du régulateur et vérifiez si le filetage est endommagé ou si le régulateur et la bouteille de gaz sont sales ou présentent des débris. Vérifiez également que rien n'entrave l'écoulement du gaz à l'orifice du régulateur et de la bouteille de gaz. Retirez toute obstruction éventuelle et répétez l'essai d'étanchéité. Si le filetage du régulateur ou de la bouteille de gaz est endommagé, remplacez-le. Commandez de nouvelles pièces en indiquant le numéro de série, le numéro de modèle et le nom des articles nécessaires au centre d'entretien des grils, au numéro 1 800 232-3398.



À utiliser avec une bouteille de GPL de 20 lb



AVERTISSEMENT



UTILISATION ET ENTRETIEN

Allumage

- **Ne pas se pencher sur le grill au moment de l'allumage.**
1. Pour allumer, appuyez sur le bouton de commande du brûleur et faites-le tourner doucement (2 à 3 secondes) vers 🔥. Le dispositif d'allumage devrait émettre plusieurs clics.
 2. Si l'allumage ne se fait pas après 5 secondes, éteignez le brûleur en le mettant en position ⏻, attendez 5 minutes et répétez la procédure d'allumage.
 3. Si le dispositif d'allumage ne fonctionne pas, suivez les instructions relatives à l'allumage avec des allumettes.

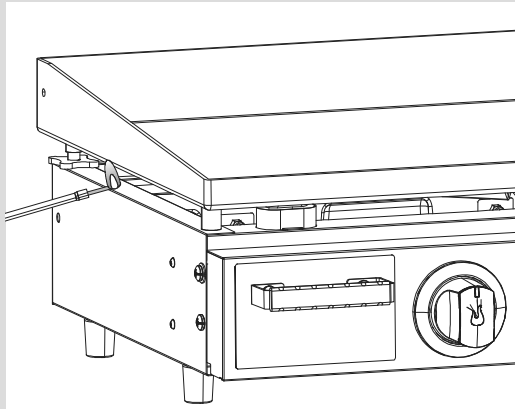


ATTENTION

Si le brûleur ne s'allume PAS dans les 5 secondes, mettez tous les boutons de contrôle des brûleurs en position ⏻ d'arrêt, attendez 5 minutes, puis répétez la procédure d'allumage. Si le brûleur ne s'allume pas lorsque la valve est ouverte, le gaz continuera de s'échapper du brûleur et pourrait s'enflammer accidentellement et causer des blessures.

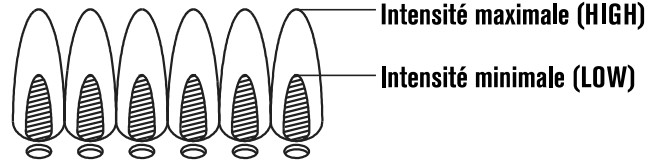
Allumage avec une allumette

- **Ne pas se pencher sur le grill au moment de l'allumage.**
1. Placez l'allumette dans le support d'allumette (pendant du panneau latéral du grill). Allumez l'allumette, puis allumez le brûleur en introduisant l'allumette et le porte-allumettes dans l'espace situé sous la plaque, pousser et tourner lentement (2 à 3 secondes) le bouton BRÛLEUR D'ALLUMAGE vers HAUTE 🔥. Assurez-vous que le brûleur s'est allumé et qu'il le reste.



Vérification du réglage de la flamme

- Enlevez les grilles. Allumez les brûleurs et tournez les boutons de la position maximale à la position minimale. La flamme doit être plus petite en position minimale qu'en position maximale. Effectuez également une vérification de la flamme sur le brûleur latéral. Effectuez toujours une vérification du réglage de la flamme avant chaque utilisation. Si vous ne voyez que de petites flammes, consultez le paragraphe « Baisse soudaine ou faible flamme » de la section Dépannage.



Pour éteindre le grill

- Tournez tous les boutons en position ⏻ d'arrêt.

Vérification du système de valve

- **Important : Mettez les boutons en position d'arrêt.** Pour vérifier les valves, poussez et relâchez les boutons de commande. Ces derniers devraient revenir en position initiale par effet de ressort. Si ce n'est pas le cas, remplacez l'assemblage de valve avant d'utiliser le grill. Tournez les boutons en position minimale, puis de nouveau en position d'arrêt. Les valves doivent tourner facilement.

Entreposage de votre grill

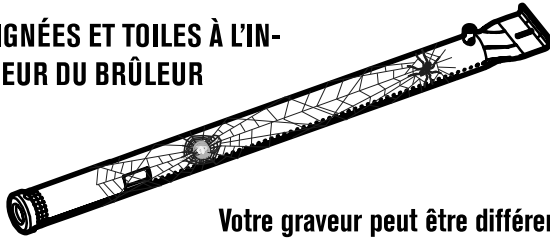
- Laissez le grill refroidir complètement.
- Retirez le réservoir de propane et posez le capuchon protecteur sur la soupape de sortie fileté.
- Nettoyez les grilles de cuisson.
- Entrepochez le grill dans un endroit sec.
- Couvrez le grill s'il est entreposé à l'extérieur. Le fabricant offre un choix complet de couvertures de grill à charbroil.com.
- Lorsque vous voulez réutiliser le grill après une période d'entreposage, suivez les instructions de « Nettoyage du brûleur » avant d'allumer le grill.



ATTENTION

ATTENTION AUX ARAIGNÉES!

ARAIGNÉES ET TOILES À L'INTÉRIEUR DU BRÛLEUR



Votre graveur peut être différent

Si votre gril devient difficile à allumer ou que la flamme est faible, vérifiez et nettoyez les tubes venturi et les brûleurs.

Des araignées ou de petits insectes peuvent créer des problèmes de « retour de flamme » en construisant des nids et en pondant dans les tubes venturi ou les brûleurs et en obstruant ainsi l'écoulement de gaz. Le gaz refoulé peut s'enflammer derrière le tableau de commande. Ce retour de flamme peut endommager le gril et causer des blessures. Afin de prévenir les retours de flamme et de garantir le bon fonctionnement du brûleur et du tube venturi, il faut retirer et nettoyer l'assemblage lorsque l'appareil n'a pas été utilisé depuis longtemps.

Nettoyage général du gril

- Pièces de plastique : lavez à l'eau savonneuse chaude et séchez en essuyant.
 - N'utilisez pas de Citrisol, de produits de nettoyage abrasifs, d'agents de dégraissage ou de produits de nettoyage de gril concentré sur les pièces en plastique. Cela pourrait les endommager et causer des défaillances dans leur fonctionnement.
- Surfaces en porcelaine : la composition de ces surfaces étant semblable au verre, la plupart des résidus peuvent être nettoyés avec un chiffon à l'aide d'une solution de bicarbonate de sodium et d'eau ou d'un nettoyant spécialement formulé. Utilisez de la poudre à récurer non abrasive pour les taches tenaces.
- Surfaces peintes : lavez avec un détergent doux ou avec un nettoyant non abrasif et de l'eau chaude savonneuse, puis essuyez avec un chiffon doux non abrasif.
- Surfaces d'acier inoxydable : afin de conserver l'apparence de qualité supérieure de votre gril, lavez les surfaces d'acier inoxydable au moyen de détergent doux et d'eau chaude savonneuse puis essuyez-les au moyen d'un chiffon doux après chaque utilisation. Les dépôts de graisse cuits sur la surface peuvent nécessiter l'utilisation d'un tampon nettoyeur en plastique abrasif. Frottez dans le sens du fini afin d'éviter d'endommager les surfaces. N'utilisez pas de tampon abrasif sur les endroits comportant des éléments graphiques.
- Surfaces de cuisson : Si une brosse avec soies est employée pour nettoyer les surfaces de cuisson du gril, assurez-vous qu'aucune soie ne reste sur les surfaces avant de procéder à la cuisson. Il est déconseillé de nettoyer les surfaces de cuisson alors que le gril est chaud.

Entretien de la plaque de cuisson

- Première utilisation
 - Avant d'utiliser votre plaque de cuisson, lavez-la soigneusement avec un liquide vaisselle doux pour enlever le revêtement de protection appliqué pour l'expédition. Rincez-la à l'eau chaude et séchez-la complètement avec un chiffon doux ou un essuie-tout. **NE LA LAISSEZ JAMAIS SÉCHER À L'AIR.** Apprêtez maintenant la plaque de cuisson pour prévenir la rouille et éviter que les aliments collent.
- Apprêt
 - Une huile de cuisson à point de fumée élevé (comme l'huile d'avocat, d'olive ou de canola) est recommandée pour l'apprêt initial. Étendez une fine couche d'huile sur toute la surface, y compris les parois et les coins, avec un essuie-tout. Allumez la plaque de cuisson et laissez-la chauffer à feu vif pendant 20 à 30 minutes, couvercle fermé. Éteignez les brûleurs et laissez la plaque de cuisson refroidir. Votre plaque de cuisson devrait présenter une surface noire, lisse et brillante. Votre plaque de cuisson est maintenant prête à l'emploi.
- Prévention de la rouille
 - Renouvelez fréquemment l'apprêt de votre plaque de cuisson, surtout si elle est neuve. Si de la rouille se forme, cela signifie que la plaque de cuisson n'a pas été suffisamment apprêtée ou que l'apprêt a brûlé. Frottez la tache de rouille avec une brosse dure ou de la laine d'acier. Appliquez à nouveau une couche d'huile de cuisson et apprêtez à nouveau la plaque.
- Entretien
 - Ne brûlez pas les restes d'aliments après les avoir grillés. Si des particules alimentaires ou de l'huile restent sur la plaque de cuisson, essuyez-les ou brossez-les vers le bac de récupération des graisses. Il n'y a pas de mal à laisser un peu d'huile sur la surface de la plaque de cuisson, cela permet de la recouvrir d'une couche protectrice. Plus vous utilisez votre plaque de cuisson, plus l'entretien sera facile. Pour devoir effectuer l'entretien minimum seulement, rangez votre appareil dans un endroit sec. Si vous stockez votre plaque de cuisson pendant une période prolongée, appliquez une fine couche d'huile de cuisson sur votre plaque, puis essuyez-la avec un essuie-tout.

UTILISATION ET ENTRETIEN

Nettoyage de l'assemblage du brûleur

Suivez ces instructions pour nettoyer ou remplacer des pièces du brûleur ou si vous éprouvez de la difficulté à allumer le grill.

1. Fermez tous les boutons de réglage, ainsi que la valve du réservoir de gaz.
2. Retirez la plaque de cuisson et le récipient à graisse.
3. Retirez les éléments de fixation des brûleurs et du panneau de commande (figure A).
4. Débranchez les fils de l'électrode (figure B).
5. Détachez électrode de brûleur.

REMARQUE: la suppression / Détachement de la méthode dépend de la configuration du brûleur. Voir les différentes configurations dans les illustrations ci-dessous.

6. Soulevez chaque brûleur avec soin en l'éloignant des ouvertures du système de valve.
- Nous recommandons trois façons de nettoyer les tubes des brûleurs. Choisissez celle qui vous semble la plus facile.

(A) Faites un petit crochet à l'aide d'un fil raide (un cintre léger fait très bien l'affaire). Passez le crochet à plusieurs reprises dans chaque tube de brûleur.



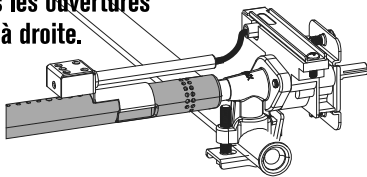
(B) En utilisant un goupillon étroit à manche souple (ne vous servez pas d'une brosse métallique en laiton), passez-en les poils plusieurs fois dans chaque tube de brûleur.

(C) Portez des lunettes de sécurité : servez-vous d'un tuyau à air pour forcer un jet d'air dans le tube du brûleur qui sortira par les orifices de combustion. Examinez chaque orifice afin de vous assurer que de l'air sort par chacun des trous.

7. Passez une brosse métallique sur toute la surface extérieure du brûleur pour enlever les résidus de nourriture et les saletés.
8. Nettoyez tout orifice bouché avec un fil raide tel qu'un trombone déplié.
9. Vérifiez si les brûleurs ne sont pas endommagés. En raison de l'usure normale et de la corrosion, certains trous peuvent s'être agrandis. Si vous notez de larges fissures ou de grands trous, remplacez le brûleur.

TRÈS IMPORTANT : les tubes de brûleur doivent entrer à nouveau dans les ouvertures de la valve. Voir les schémas à droite.

Manière correcte de fixer le brûleur au système de valve



10. Fixez l'électrode au brûleur.
11. Remplacez soigneusement les brûleurs.
12. Branchez les fils de l'électrode.
13. Remettez la plaque de cuisson et le récipient à graisse en place.
14. Avant d'utiliser à nouveau le grill pour la cuisson, faites un « essai d'étanchéité » et une « vérification du réglage de la flamme ».

FIGURE A

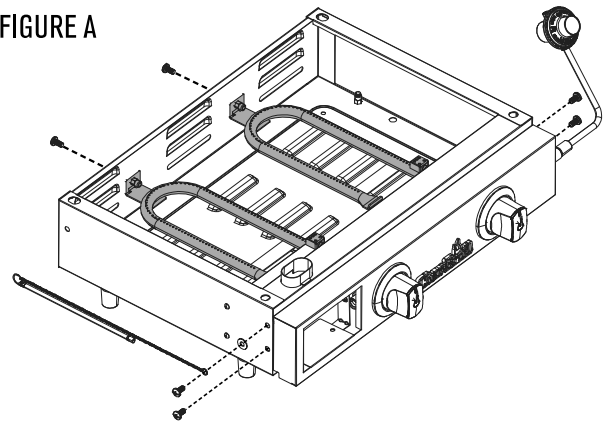
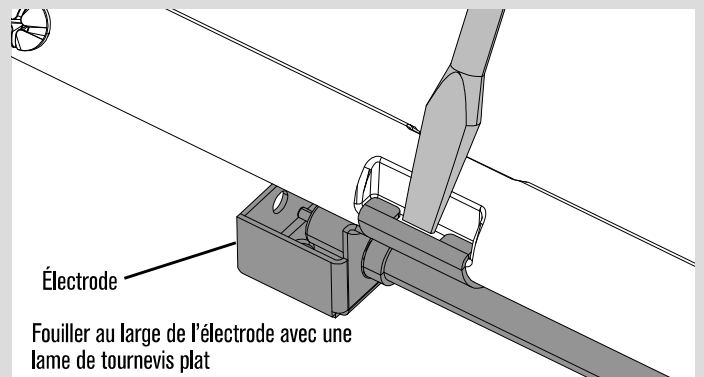
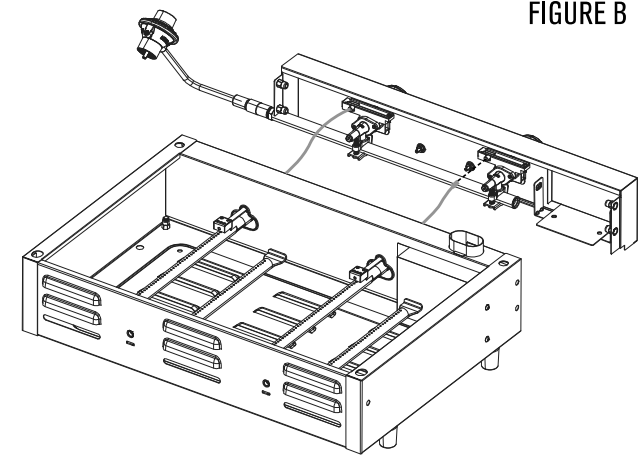


FIGURE B



GARANTIE LIMITÉE

La présente garantie n'est valide que pour les appareils achetés auprès d'un détaillant autorisé. Le fabricant garantit à l'acheteur initial, et uniquement celui-ci, que le produit est exempt de tout défaut de matériel et de main-d'œuvre, dans la mesure où il a été assemblé correctement, qu'il est utilisé de façon normale et raisonnable à des fins personnelles, et ce, pendant la durée de la période indiquée ci-dessous et commençant le jour de la d'achat du produit*. Le fabricant se réserve le droit de demander au client que les pièces défectueuses lui soient expédiées, port ou fret prépayé, pour fins d'examen.

PORTÉE DE LA COUVERTURE	PÉRIODE DE COUVERTURE	TYPE DE DÉFAILLANCES COUVERTES
Toutes les parties	2 ans à compter de la date d'achat *	Perforation, Défauts de fabrication et de matériel Uniquement

*Remarque : dans la mesure où le client inscrit le produit et fournit un exemplaire du reçu de caisse ou de la facture portant la date de l'achat, la période de couverture de la garantie sera étendue de façon à commencer à la date d'achat du produit.

L'acheteur initial assume la responsabilité de l'ensemble des frais d'expédition pour le remplacement de pièces en vertu des modalités de la présente garantie limitée.

Cette garantie limitée n'est valide qu'aux États-Unis et au Canada; elle n'est en vigueur que pour l'acheteur initial du produit et n'est pas transférable. **Le fabricant exigera une preuve de la date d'achat. Par conséquent, vous devez conserver votre reçu de caisse ou votre facture.** L'enregistrement du produit ne constitue pas une preuve d'achat. Il n'appartient pas au fabricant de tenir un dossier des achats des clients.

La présente garantie limitée vise UNIQUEMENT le fonctionnement du produit et elle ne touche donc pas les questions esthétiques, telles les égratignures, les bosses, la corrosion ou la décoloration causée par la chaleur, des nettoyants abrasifs ou chimiques, quelque outil que ce soit employé lors de l'assemblage ou de l'installation de l'appareil, la rouille en surface, ni la décoloration des surfaces en acier inoxydable. La peinture n'est pas garantie et requiert des retouches. **Rouille n'est pas considéré comme un matériel de fabrication ou de défaut.**

La présente garantie limitée ne couvre pas le remboursement de frais associés à un inconvénient, à une perte de nourriture, à des blessures personnelles ou au bris de biens matériels.

ÉLÉMENTS NON REMBOURSÉS PAR LE FABRICANT :

1. Frais d'expédition, service régulier ou accéléré, tant pour une pièce couverte par la garantie que pour une pièce de rechange.
2. Visite d'un réparateur à votre domicile.
3. Les réparations lorsque le produit est employé à des fins autres qu'un usage normal résidentiel pour une seule famille.
4. Des dommages, des défaillances ou des difficultés de fonctionnement découlant d'un accident, d'une modification, d'une manipulation négligente, d'une mauvaise utilisation, d'un usage abusif, d'un incendie, d'une inondation, d'une catastrophe naturelle, d'une installation ou d'un entretien inadéquats, d'un montage non conforme aux codes de l'électricité et de plomberie en vigueur, ou de l'utilisation de produits non approuvés par le fabricant.
5. Toute perte de nourriture causée par une défaillance du produit ou des difficultés de fonctionnement.
6. Les pièces de rechange ou les coûts de la main-d'œuvre pour un appareil ayant fonctionné hors des États-Unis ou du Canada.
7. Le ramassage et la livraison du produit.
8. La réparation de pièces ou de systèmes suite à des modifications non autorisées apportées au produit.
9. Le démontage ou la réinstallation de l'appareil.

STIPULATION D'EXONÉRATION DE GARANTIES et LIMITATION DES RECOURS

La réparation ou le remplacement d'une pièce défectueuse constitue votre seul recours en vertu des modalités de la présente garantie limitée. En cas de problèmes de disponibilité des pièces, le constructeur se réserve le droit de remplacer des pièces similaires qui sont également fonctionnels. Le fabricant n'assume aucune responsabilité pour tout dommage consécutif ou accessoire découlant d'une violation soit de la présente garantie soit de toute autre garantie tacite, ou pour une défaillance ou des dommages résultant d'une calamité naturelle, d'un entretien inadéquat, d'un incendie de graisse, d'un accident, d'une modification apportée à l'appareil, du remplacement de pièces par une personne autre que le fabricant, d'un mauvais usage, du transport, d'une utilisation commerciale, d'un usage abusif, de la présence d'environnements hostiles (temps non clément, catastrophes naturelles, altération par les animaux), d'une installation inadéquate ou non conforme aux codes locaux, ou des instructions imprimées du fabricant.

LA PRÉSENTE GARANTIE LIMITÉE CONSTITUE L'UNIQUE GARANTIE EXPLICITE ÉMISE PAR LE FABRICANT. LE FABRICANT NE FORMULE AUCUNE DÉCLARATION NI DESCRIPTION DE RENDEMENT ASSOCIÉE AU PRODUIT, PEU IMPORTE OÙ CELLE-CI POURRAIT FIGURER, SAUF DANS LES ÉNONCÉS DE LA PRÉSENTE GARANTIE LIMITÉE. TOUTE PROTECTION DE GARANTIE TACITE DÉCOULANT DES LOIS D'UN ÉTAT OU D'UNE PROVINCE, Y COMPRIS LES GARANTIES IMPLICITES DE QUALITÉ MARCHANDE OU D'ADAPTATION À UN USAGE OU OBJECTIF PARTICULIER, SE LIMITE À LA DURÉE DE LA PRÉSENTE GARANTIE LIMITÉE.

Ni les représentants commerciaux ni les détaillants vendant l'appareil n'ont l'autorisation de produire une garantie supplémentaire ni de promettre des recours s'ajoutant à ceux mentionnés ci-dessus, qu'ils soient ou non compatibles avec ceux-ci. Dans tous les cas, la responsabilité maximale du fabricant ne pourra dépasser le prix d'achat de l'appareil payé par l'acheteur initial.

REMARQUE : certains États ou certaines provinces n'autorisent pas les exclusions ou les restrictions de dommages consécutifs ou accessoires, de sorte qu'il est possible que certaines des restrictions ou exclusions ci-dessus ne s'appliquent pas à vous. La présente garantie limitée vous donne des droits juridiques spécifiques qui sont exposés aux présentes. Il est possible que vous disposiez d'autres droits qui peuvent varier d'un État et d'une province à l'autre. Dans l'État de Californie uniquement, si la remise en état ou le remplacement du produit n'est pas commercialement possible, le détaillant ayant vendu l'appareil ou le fabricant rembourseront le montant payé par l'acheteur, et déduiront une somme directement proportionnelle à l'utilisation par l'acheteur initial avant la découverte de la non-conformité. De plus, dans l'état de Californie uniquement, vous pouvez rapporter l'appareil au détaillant qui vous a vendu le produit afin de bénéficier des privilèges que vous donne la présente garantie limitée.

Si vous désirez qu'une obligation, quelle qu'elle soit, soit exécutée en vertu de la présente garantie limitée, vous devez écrire à :

**Consumer Relations
P. O. Box 1240
Columbus, GA 31904-1240**

Les retours de marchandise des clients ne seront acceptés que si une autorisation de retour (Return Authorization) valide a été obtenue au préalable. Les retours autorisés doivent être clairement identifiés par leur numéro sur l'extérieur de l'emballage. De plus, le fret ou les frais d'expédition doivent être prépayés. Tout retour de marchandise d'un client qui ne satisfait pas à ces critères sera refusé.



ÍNDICE DE MATERIAS

Por su propia seguridad	18-19
Uso y mantenimiento	20-24
Garantía limitada	25
Vista esquemática de las piezas	26
Lista de piezas	27
Armado	28-32
Resolución de problemas	37-38
Tarjeta de inscripción	39

A LA PERSONA QUE INSTALE O ENSAMBLE ESTA PARRILLA:

Deje este manual al cliente.



ADVERTENCIA

- Este manual de instrucciones contiene información importante necesaria para el montaje adecuado y uso seguro del aparato.
- Lea y siga todas las advertencias e instrucciones antes de ensamblar y utilizar el aparato.
- Siga todas las advertencias e instrucciones cuando utilice el aparato.
- Conserve este manual para que lo pueda consultar en el futuro.



PELIGRO

- Nunca opere este artefacto sin supervisión.
- Nunca opere este artefacto a menos de 10 pies (3 m) de cualquier estructura, material combustible u otro cilindro de gas.
- Nunca opere este artefacto a menos de 25 pies (7.5m) de cualquier líquido inflamable.
- Si se produce un fuego, manténgase alejado del aparato y llame inmediatamente a su departamento de bomberos. No intente extinguir un fuego de aceite o grasa con agua.

El incumplimiento de estas instrucciones puede ocasionar incendios, explosiones o peligro de quemaduras, que pueden causar daños a la propiedad, lesiones personales o la muerte.

INFORMACIÓN IMPORTANTES DE SEGURIDAD

SÍMBOLOS DE SEGURIDAD

Los símbolos y las casillas ilustradas más adelante explican lo que significa cada encabezado. Lea y cumpla lo indicado en los mensajes que se encuentran en todo el manual.



ADVERTENCIA

ADVERTENCIA: Indica una situación potencialmente peligrosa o una práctica insegura que, de no evitarse, podría causar lesiones leves o menores.



ADVERTENCIA

ADVERTENCIA: Indica una situación potencialmente peligrosa que, de no evitarse, podría causar la muerte o lesiones graves.



PELIGRO

PELIGRO: Indica una situación peligrosa inminente que, de no evitarse, ocasionará la muerte o lesiones graves.



PELIGRO

Si siente olor a gas:

1. Cierre el paso de gas al aparato.
2. Apague toda llama al descubierto.
3. Abra la tapa.
4. Si el olor continúa, guarde lejos de la aplicación y llame inmediatamente su surtidor del gas o su cuerpo de bomberos.



ADVERTENCIA

1. No guarde ni use gasolina ni otros gases o líquidos inflamables cerca de éste ni de cualquier otro aparato.
2. No guarde un tanque de gas propano, que no esté conectado, cerca de éste ni de cualquier otro aparato.



PARA SU SEGURIDAD - INSTALACIÓN DE SU PARRILLA



ADVERTENCIA

No intente reparar o alterar el regulador/válvula por ningún defecto "asumido". Cualquier modificación a este montaje anulará su garantía y creará un riesgo de fuga de gas e incendio. Use solo repuestos autorizados suministrados por el fabricante.

Para un uso seguro de su plancha y para evitar lesiones graves:

- No permita que los niños operen o jueguen cerca de la plancha.
- Mantenga el área de la plancha despejada y libre de materiales combustibles (es decir, gasolina, propano o cualquier otro líquido o gas inflamable).
- No bloquee los agujeros en la parte inferior o trasera de la plancha.
- Compruebe las llamas del quemador regularmente.
- Nunca use el regulador de esta plancha con ningún otro aparato de gas LP.
- Al cocinar, el aparato debe estar en una superficie nivelada en un área libre de material combustible.
- Use la plancha solo en espacios bien ventilados. NUNCA lo use en espacios cerrados tales como garaje, porche, patio cubierto o debajo de una estructura aérea de ningún tipo.
- No use briquetas de carbón o cerámica en una plancha de gas (a menos que se suministren briquetas con su plancha).
- Este aparato no está diseñado ni debe usarse nunca como un calentador.
- Use la plancha al menos a 2 pies de cualquier pared o superficie. Mantenga un espacio libre de 10 pies sobre los objetos que puedan incendiarse o sobre las fuentes de ignición, como luces piloto en los calentadores de agua, electrodomésticos, etc.
- Para quienes viven en apartamento: Consulte con la administración para conocer los requisitos y códigos de incendios para usar una plancha de gas LP en su complejo de apartamentos. Si está permitido, úsela afuera en la planta baja con una separación de dos (2) pies de las paredes o rieles. No lo use sobre o debajo de los balcones.

Este producto puede exponerlo a sustancias químicas, incluido plom, que es conocida por el Estado de California para causar cáncer y defectos de nacimiento u otros daños reproductivos. Para obtener más información, vaya a www.P65Warnings.ca.gov.



ADVERTENCIA

- El uso de alcohol, medicamentos recetados o no recetados puede afectar la capacidad del consumidor para montar correctamente o operar con seguridad el aparato.
- Cuando cocine con aceite o grasa, tenga a mano un extintor de incendios tipo BC o ABC.
- En caso de incendio de aceite o grasa, no intente extinguirlo con agua. Inmediatamente llame al departamento de bomberos. Un extintor tipo BC o ABC puede, en algunas circunstancias, contener el fuego.
- En caso de lluvia, nieve, granizo, aguanieve u otras formas de precipitación mientras cocina con aceite o grasa, cubra el recipiente de cocción inmediatamente, y apague los quemadores del aparato y el suministro de gas. No intente mover el aparato o el recipiente de cocina.
- No mueva el aparato cuando esté en uso. Deje que el recipiente de cocción se enfríe a 115 °F (45 °C) antes de moverlo o guardarlo.
- El cilindro debe desconectarse cuando el aparato no esté en uso. Solo se utilizarán cilindros marcados como "propano".



PRECAUCIÓN

- Solo para uso residencial. No usar para cocinar comercial
- No deje el aparato desatendido. Mantenga a los niños y las mascotas alejados del aparato en todo momento.
- No use agua en caso de un incendio de grasa. Podrían producirse lesiones personales. Si se produce un incendio de grasa, apague las perillas y retire el cilindro de LP.
- No deje desatendida la plancha mientras precalienta o quema los residuos de comida en HI (alto). Si la plancha no se ha limpiado regularmente, puede producirse un incendio por grasa que puede dañar el producto.

Precauciones de seguridad de instalación

- Use la plancha, tal como se compró, solo con gas LP (propano) y el conjunto de regulador/válvula suministrado.
- La instalación de la plancha debe cumplir con los códigos locales, o en ausencia de códigos locales, con el Código Nacional de Gas Combustible, ANSI Z223.1/NFPA 54. El almacenamiento y la manipulación de los gases de petróleo licuados deben cumplir con el Código de Gas LP ANSI/NFPA 58. La plancha no es para usarse dentro o sobre vehículos recreativos y/o botes.
- Esta plancha cuenta con un certificado de seguridad solo para su uso en los Estados Unidos. No la modifique para usarla en ninguna otra ubicación. La modificación dará lugar a un riesgo de seguridad.
- No deje el aparato desatendido. Mantenga a los niños y las mascotas alejados del aparato en todo momento.



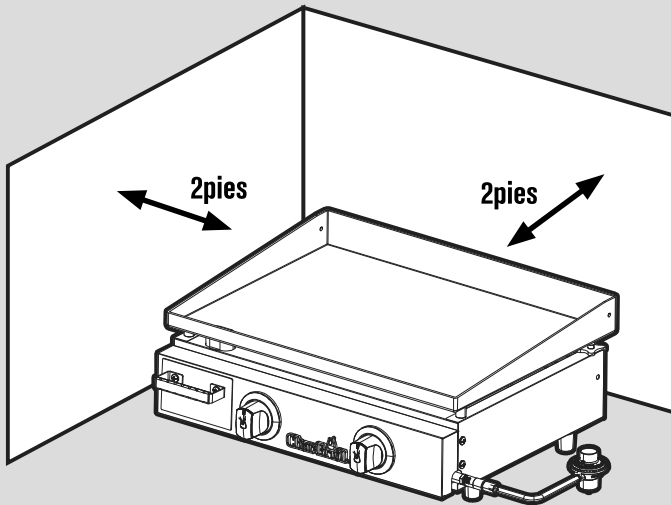
USO Y MANTENIMIENTO



ADVERTENCIA

Para usar su parrilla en forma segura y para evitar lesiones graves:

- No deje que los niños usen la parrilla ni que jueguen cerca de la misma.
- Mantenga el área de la parrilla limpia y sin materiales combustibles.
- No obstruya los orificios laterales ni los de la parte posterior de la parrilla.
- Revise periódicamente las llamas del quemador.
- Use la parrilla sólo en lugares bien ventilados. NUNCA la use en lugares cerrados tales como cocheras, garajes, porches, patios techados o debajo de superficies de ningún tipo.
- No use carbón ni briquetas de cerámica en una parrilla a gas.
- No cubra las rejillas con papel aluminio ni con ningún otro material. Este bloqueará la ventilación del quemador y creará situaciones peligrosas que podrían provocar daños materiales o lesiones corporales.
- Use la parrilla al menos a 2 pies de distancia de cualquier pared o superficie. Deje un espacio de 10 pies entre la parrilla y los objetos que puedan incendiarse o que sean fuentes de ignición, tal como las llamas piloto de calentadores de agua, aparatos eléctricos conectados, etc.



- NUNCA trate de encender el quemador con la tapa cerrada. Las acumulaciones de gas no encendido en las parrillas tapadas son peligrosas.
- Nunca use la parrilla si el tanque de gas no está en la posición correcta que se especifica en las instrucciones de armado.
- Siempre cierre la válvula del tanque de gas y retire la tuerca de unión antes de mover el tanque del sitio específico de uso.
- Para personas que viven en apartamentos:
- Pídale al administrador que le indique los requisitos y los códigos contra incendios que corresponden al uso de parrillas de gas propano en un edificio de apartamentos. Si se le permite usarla, hágalo al aire libre, en la planta baja, dejando un espacio libre de tres (3) pies entre la parrilla y las paredes o las barandillas. No la use en balcones o debajo de los mismos.

El gas propano (GLP)

- Es atóxico, inodoro e incoloro en el momento en que se produce. Para su seguridad, al gas propano se le ha incorporado un olor (parecido al de la col podrida), de modo que se pueda oler.
- El gas propano es sumamente inflamable y se puede encender en forma inesperada al mezclarse con el aire.

Uso de cilindros de propano (1 lb. desechable)

- Utilice únicamente cilindros marcados como "combustible de propano".
- El cilindro debe estar construido y marcado de acuerdo con las especificaciones de los cilindros de gas LP del Departamento de Transporte de los EE. UU. (DOT) o del Estándar Nacional de Canadá, CAN/CSA-B339, cilindros, esferas y tubos para el transporte de mercancías peligrosas.
- Guarde la tapa del cilindro y vuelva a instalarla cuando no esté en uso.
- El sistema de suministro del cilindro debe estar preparado para la extracción de vapor. El cilindro de gas debe estar en posición vertical durante el uso.

Cilindros de gas propano

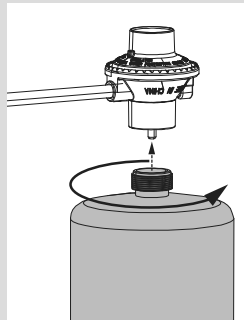
- Su parrilla está diseñada para funcionar con una botella de 16,4 oz. Cilindro desechable (cilindro DOT 39).
- **No intente rellenar ningún cilindro de 16,4 oz. de combustible desechables.**
- El cilindro debe instalarse, transportarse y almacenarse en posición vertical y no debe dejarse caer ni manipularse bruscamente.
- Cuando el aparato se vaya a almacenar en el interior, el cilindro de gas propano debe desconectarse del aparato.
- Cuando el cilindro de gas propano no esté desconectado del aparato, el aparato y el cilindro deben almacenarse al aire libre en un espacio bien ventilado.
- El cilindro nunca debe transportarse ni almacenarse donde la temperatura pueda alcanzar los 125 °F (51 °C).
- Los cilindros deben almacenarse al aire libre fuera del alcance de los niños.
- Un cilindro de LP desconectado en almacenamiento o transporte debe tener una tapa de seguridad instalada. No usar el tapón de seguridad según las instrucciones puede resultar en lesiones personales graves y/o daños a la propiedad.
- No guarde el cilindro de gas LP en lugares cerrados tales como cocheras, garajes, pórticos, patios cubiertos u otras construcciones.

USO Y MANTENIMIENTO

Instalación/extracción de cilindros de propano

Instalación del cilindro de propano:

1. Retire la tapa del extremo del cilindro de propano (se vende por separado).
2. La tapa debe mantenerse en el cilindro cuando no esté en uso para evitar que la suciedad y los residuos entren en el regulador/válvula.
3. Compruebe el extremo del accesorio del cilindro en busca de suciedad y residuos. Limpie si es necesario.
4. Inserte el extremo roscado del cilindro de propano en el regulador/válvula y apriete manualmente girando el cilindro en el sentido de las agujas del reloj como se muestra a continuación. ¡NO UTILICE HERRAMIENTAS! Apretar demasiado puede dañar las roscas del regulador/válvula.
5. Realice una prueba de fugas.



Extracción del cilindro de propano:

1. Apague el regulador.
2. Deje que la parrilla se enfríe.
3. Retire el cilindro de propano girándolo en sentido antihorario hasta que se desenganche del regulador/válvula.
4. Instale la tapa en el cilindro. La tapa debe mantenerse en el cilindro cuando no esté en uso para evitar que la suciedad y los residuos entren en el regulador/válvula.

Prueba de fugas (1 lb. desechable)

- Durante la prueba de fugas, mantenga la parrilla alejada de llamas abiertas o chispas y no fume. La parrilla debe someterse a prueba de fugas al aire libre en un área bien ventilada.
- La prueba de fugas debe repetirse cada vez que se reemplaza el cilindro de gas o después del almacenamiento.

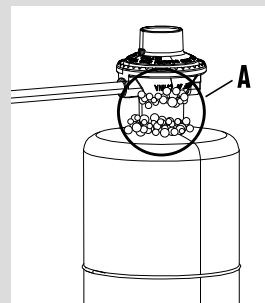
Los materiales necesarios incluyen una brocha limpia y una solución de agua y jabón al 50/50. Use un jabón suave y agua. No utilice agentes de limpieza doméstica. Se pueden producir daños en los componentes.

1. Asegúrese de que la perilla de control del regulador esté en la posición "OFF".
2. Cepille la solución jabonosa en la conexión entre el cilindro de gas y el regulador en (A).

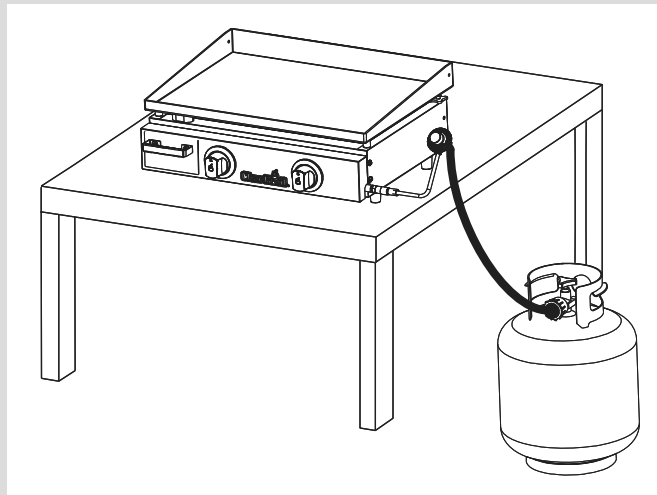
Si aparecen burbujas que aumentan de tamaño, existe una fuga. Vuelva a apretar la conexión y repita los pasos 1 y 2.

Si no puede detener una fuga, retire el cilindro de gas del regulador y verifique si

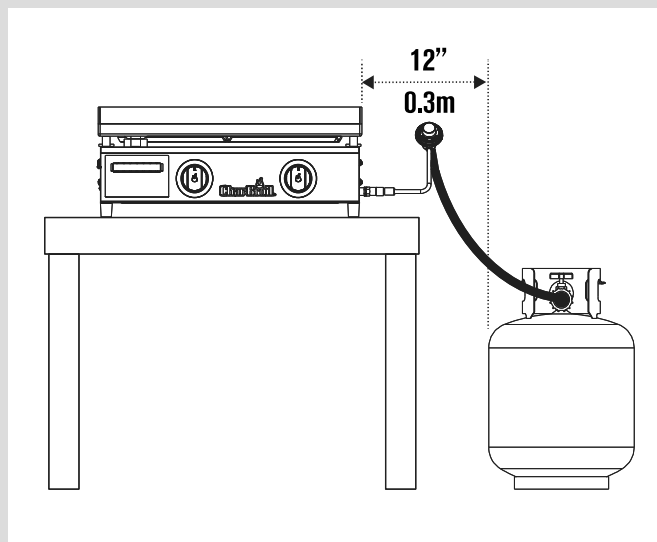
hay roscas dañadas, suciedad y residuos en el regulador y el cilindro de gas. También revise para ver si algo obstruye el flujo de gas en las aberturas del regulador y del cilindro de gas. Retire cualquier obstrucción que pueda encontrarse y repita la prueba de fugas. Si las roscas están dañadas en el regulador o en el cilindro de gas, reemplazar. Pida piezas nuevas dando el número de serie, modelo y nombre de los artículos necesarios al Centro de servicio de parrillas al 1-800-232-3398.



Para uso con cilindro LP de 20 lb





ADVERTENCIA




USO Y MANTENIMIENTO

Cómo usar el encendedor


- **No se incline sobre la parrilla al encenderla.**
1. Para encender, presione y gire lentamente el mando del quemador (de 2 a 3 segundos) a . Debería oír el clic del encendedor.
 2. Si NO se enciende en 5 segundos, gire el control del quemador a , espere 5 minutos y repita el procedimiento de encendido.
 3. Si el encendedor no funciona, siga las instrucciones de encendido con fósforos.

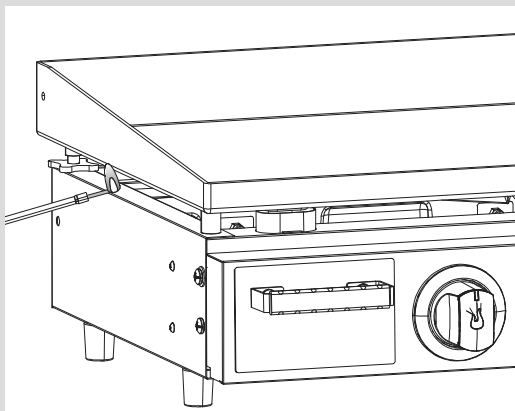


ADVERTENCIA

Si NO se enciende en 5 segundos, gire los controles del quemador a la posición de  apagado, espere 5 minutos y repita el proceso de encendido. Si el quemador no se enciende con la válvula abierta, el gas continuará saliendo por el mismo y puede encenderse accidentalmente, con el riesgo de ocasionar lesiones.

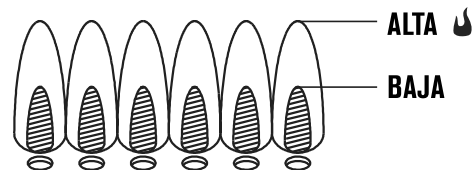
Encendido con fósforos de los quemadores de la plancha

- **No se incline sobre la parrilla al encenderla.**
1. Coloque el fósforo en el portafósforos (colgando de izquierda panel lateral de la parrilla). Encienda el fósforo; luego encienda el quemador colocando un fósforo con un portafósforo a través del espacio debajo de la plancha. presione y gire lentamente el mando del quemador (de 2 a 3 segundos) a . Verifique que el quemador se encienda y que permanezca encendido.



Control de la llama del quemador

- Retire la plancha. Encienda los quemadores y gire las perillas, de la graduación ALTA a la graduación BAJA. Deberá ver una llama más reducida en la graduación BAJA que en la graduación ALTA. Haga un control de la llama en el quemador lateral. Controle siempre las llamas antes de cada uso. Si sólo se observan llamas bajas, lea lo referente a la Caída repentina de las llamas o llamas bajas en la sección de Resolución de problemas.



Cómo apagar la parrilla

- Gire todas las perillas de control a la posición de  apagado.

Control de la válvula

- **Importante:** Cerciórese de haber cerrado el paso de gas desde el tanque antes de revisar las válvulas. Las perillas se traban al llegar a la posición de apagado. Para revisar las válvulas, primero presione las perillas y luego suéltelas; las perillas deben regresar a su posición original. De lo contrario, cambie la unidad de la válvula antes de usar la parrilla. Gire las perillas a la graduación BAJA y luego regréselas a la posición de apagado. Las válvulas deben girar suavemente.

Cómo guardar su parrilla

- Deje que la parrilla se enfríe por completo.
- Retire el tanque de gas e instale la tapa protectora sobre las roscas de la salida.
- Limpie la plancha.
- Guárdela en un lugar seco.
- Cubra la parrilla si la guarda al aire libre. El fabricante tiene a su disposición una variedad de cubiertas para parrillas en charbroil.com.
- Siga las instrucciones sobre Cómo limpiar la unidad del quemador antes de encender la parrilla, cuando la misma haya estado guardada.



ADVERTENCIA

¡ALERTA CONTRA LAS ARAÑAS!

ARAÑAS Y TELARAÑAS DENTRO DEL QUEMADOR



Su quemador puede ser diferente

Si está experimentando dificultades para encender su parrilla, o si la llama es débil, inspeccione y limpie los quemadores y los tubos Venturi.

Se ha comprobado que las arañas y los pequeños insectos generan problemas de "fognazos" al construir sus nidos y poner huevos en los quemadores o los tubos Venturi puesto que obstruyen el flujo de gas. El gas que se acumula puede encenderse en la parte posterior del tablero de control. Estos fognazos pueden dañar su parrilla y causar lesiones. Para evitar los fognazos y garantizar un buen funcionamiento, retire y limpie la unidad de quemador y tubo Venturi si no ha usado la parrilla durante un tiempo prolongado.

Limpieza general de la parrilla

- Piezas plásticas: Lávelas con agua jabonosa tibia y séquelas con un paño.
 - No use citrisol, productos de limpieza abrasivos, desgrasadores ni productos de limpieza de parrillas concentrados para las piezas plásticas. Las mismas se pueden dañar y causar fallas.
- Superficies porcelanizadas: Debido a su composición vítrea, la mayoría de los residuos se puede eliminar con un paño empapado en una solución de bicarbonato de soda y agua, o con un limpiador especialmente formulado. Use un polvo limpiador no abrasivo para las manchas difíciles de eliminar.
- Superficies pintadas: Lávelas con un detergente suave o un limpiador no abrasivo y agua tibia jabonosa. Séquelas con un paño suave, no abrasivo.
- Superficies de acero inoxidable: Para conservar el aspecto de alta calidad de su parrilla, lávela con un detergente suave y con agua jabonosa tibia y frótela con un paño suave para secarla, cada vez después de usarla. Es posible que para los depósitos de grasa quemada deba usar una almohadilla de limpieza abrasiva de plástico. Para evitar que se dañe, úsela únicamente en la dirección de pulido del acabado. No use almohadillas abrasivas en las áreas donde hayan dibujos.
- Superficies para cocinar: Si utiliza un cepillo de cerdas para limpiar las superficies para cocinar, antes de usar la parrilla verifique que no queden cerdas sueltas sobre éstas. Se recomienda no limpiar las superficies para cocinar cuando la parrilla esté aún caliente.

Cuidado de la plancha

- Uso por primera vez
 - Antes de usar su plancha, lávela bien con un líquido lavavajillas suave para quitar la capa protectora aplicada para el envío. Enjuague con agua caliente y seque completamente con un paño suave o una toalla de papel. **NUNCA DEJE QUE SE DRENE HASTA SECARSE.** Ahora sazone la plancha para evitar que se oxide y se peguen los restos de comida.
- Sazonado
 - Se recomienda un aceite de cocina con un alto punto de ahumado (como el aceite de aguacate, oliva o canola) para el sazonado inicial. Extienda una fina capa de aceite sobre toda la superficie, incluidas las paredes y las esquinas, con una toalla de papel. Encienda la plancha y deje que se caliente a temperatura alta durante 20-30 minutos con la tapa cerrada. Apague los quemadores y deje que la plancha se enfríe. Su plancha deberá presentar una superficie negra lisa y brillante. Su plancha ahora está lista para usar.
- Para evitar la oxidación
 - Vuelva a sazonar su plancha con frecuencia, especialmente cuando es nueva. Si se oxida, es una indicación de que la plancha no se ha curado lo suficiente o que el curado se ha quemado. Frote la mancha de óxido con un cepillo pesado o lana de acero. Vuelva a aplicar una capa de aceite de cocina y sazone la plancha nuevamente.
- Mantenimiento
 - No realice una quema después de asar alimentos en la plancha. Para cualquier exceso de partículas de comida y aceite, limpie o cepille hacia el drenaje de grasa. Dejar un poco de aceite en la superficie de la plancha está bien y ayudará a proporcionar una capa protectora sobre la plancha. Cuanto más use su plancha, más fácil será el mantenimiento. Para reducir al máximo la cantidad de mantenimiento, almacene su unidad en un lugar seco. Si guarda su plancha durante un período de tiempo prolongado, aplique una fina capa de aceite de cocina a la plancha y séquela con una toalla de papel.

USO Y MANTENIMIENTO

Cómo limpiar la unidad del quemador

Siga estas instrucciones para limpiar o cambiar piezas de la unidad del quemador, o si tiene problemas para encender la parrilla.

1. Cierre el paso de gas en las perillas de control y desde el tanque de gas.
2. Retire la plancha y la taza de grasa.
3. Retire los accesorios que sujetan los quemadores y el panel de control (Figura A).
4. Desconecte los cables de los electrodos (Figura B).
5. Separar electrodo de lesión del plexo braquial.

NOTA: La eliminación / Destacamento método dependerá de la configuración del quemador. Véase diferentes configuraciones en las ilustraciones a continuación.

6. Levante y retire cuidadosamente cada quemador de las aberturas de la válvula. Sugerimos tres maneras de limpiar los tubos del quemador. Siga la que le sea más fácil.

(A) Doble un alambre rígido (un gancho de alambre para ropa sirve bien) para formar un gancho pequeño. Pase varias veces el gancho a través del tubo de cada quemador.

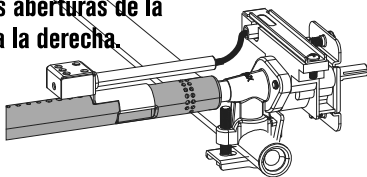


(B) Use un cepillo delgado de botella, de mango flexible (no use un cepillo de alambre de latón), páselo varias veces a través del tubo de cada quemador.

(C) Use protectores para la vista: Con una manguera neumática, fuerce el paso del aire a través del tubo y de los puertos del quemador. Examine cada puerto para verificar que el aire salga a través de cada orificio.

7. Cepille con un cepillo de alambre toda la superficie exterior del quemador para eliminar los residuos de comida y la suciedad.
8. Limpie todo puerto que esté atascado con un alambre rígido, tal como un sujetapapeles.
9. Examine el quemador para detectar daños; algunos orificios pueden alargarse debido al desgaste normal y a la corrosión. Si observa grietas u orificios grandes, cambie el quemador.

MUY IMPORTANTE: Los tubos del quemador se deben volver a conectar en las aberturas de la válvula. Vea las ilustraciones a la derecha.



Conexión correcta del quemador y la válvula

10. Fije el electrodo en el quemador.
11. Vuelva a colocar cuidadosamente los quemadores.
12. Conecte los cables de los electrodos.
13. Vuelva a colocar la plancha y la taza de grasa.
14. Efectúe un control de la llama del quemador y una prueba para detectar fugas, antes de volver a cocinar en la parrilla.

FIGURA A

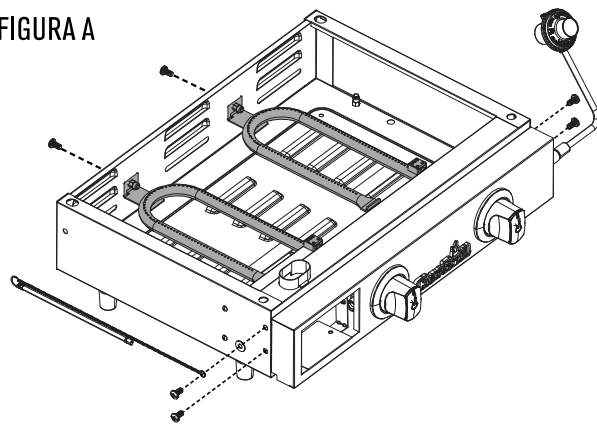
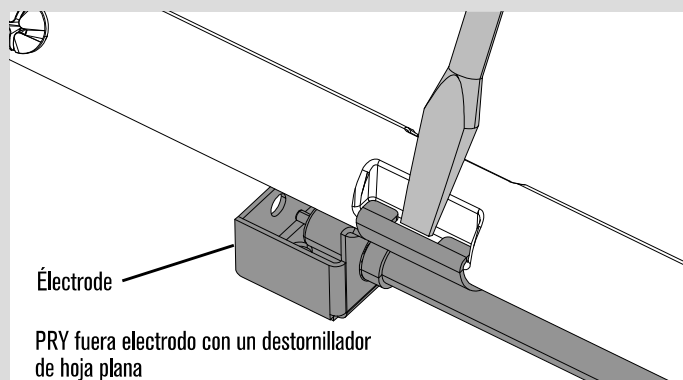
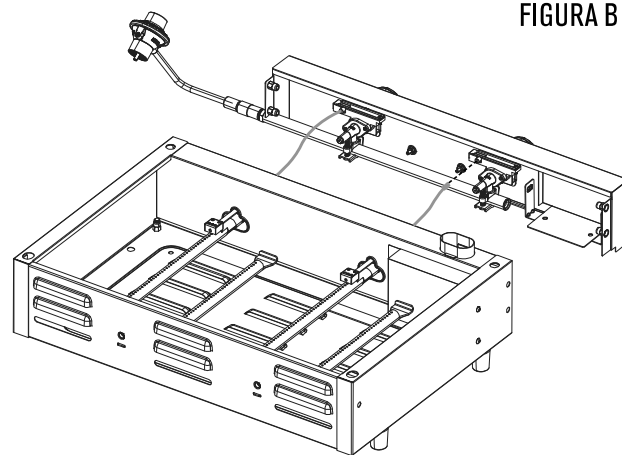


FIGURA B



GARANTÍA LIMITADA

Esta garantía es válida únicamente para las unidades adquiridas de los distribuidores autorizados. El fabricante le garantiza únicamente **al consumidor-comprador original**, que este producto no presentará defectos de mano de obra ni de materiales por el período indicado a continuación, contado desde la fecha de compra*, si se arma correctamente y se usa en el hogar, en condiciones normales y razonables. El fabricante se reserva el derecho de exigir la devolución de las piezas defectuosas, enviadas con el porte o el flete pagado por el consumidor, para ser revisadas y examinadas.

ALCANCE DE LA COBERTURA	PLAZO DE COBERTURA	TIPO DE FALLA AMPARADA
Todas las piezas	2 Año de fecha de compra *	SOLO DEFECTOS DE PERFORACIÓN, DE FABRICACIÓN Y DE MATERIALES

*Nota: A fecha de recibo de compra serán necesarios para el servicio de garantía.

Son de responsabilidad del consumidor-comprador original todos los gastos de envío de las piezas cambiadas en virtud de las condiciones de esta garantía limitada.

Esta garantía limitada es válida únicamente en Estados Unidos y en Canadá, se ofrece únicamente al propietario original del producto y es intransferible. **El fabricante exige la presentación de evidencia de la fecha de la compra.** Por tanto, debe conservar el recibo o la factura de la compra. La inscripción del producto no reemplaza al comprobante de compra, y el fabricante no se hace responsable ni está obligado a llevar un registro de dichos comprobantes.

Esta garantía limitada atañe ÚNICAMENTE al funcionamiento del producto y no ampara rayones, abolladuras, corrosión ni decoloración ocasionada por el calor, los productos de limpieza abrasivos y químicos, ni por las herramientas usadas en el armado o en la instalación del aparato, oxidación de las superficies ni decoloración de las superficies de acero inoxidable. La pintura no esta garantizada y requiera retoques. **RUST no se considera una de fabricación o materiales defecto.**

Esta garantía limitada no ampara el costo en el que se incurra por inconvenientes, alimentos, lesiones ni daños a la propiedad.

EL FABRICANTE NO PAGARÁ LOS SIGUIENTES RUBROS:

1. El costo de envío normal o acelerado de piezas y repuestos amparados por la garantía
2. Las llamadas de servicio técnico a domicilio.
3. Reparaciones de productos que hayan sido usados para fines distintos a los normales, en casas de más de una familia o no domésticos.
4. Daños, fallas, o dificultades para hacerlo funcionar, ocasionadas por accidentes, modificaciones, manipulación descuidada, uso indebido, abuso, incendio, inundación, casos fortuitos, instalación o mantenimiento inadecuados o que no se realicen de conformidad con las disposiciones de los códigos de instalaciones eléctricas o sanitarias, o uso de productos no autorizados por el fabricante.
5. Pérdida de alimentos debidos a fallas del producto o a la dificultad para hacerlo funcionar.
6. El costo de las piezas de repuesto ni de la mano de obra para la reparación de unidades instaladas fuera de Estados Unidos o de Canadá.
7. La recogida y el envío de su producto.
8. Las reparaciones de piezas o de sistemas que hayan sufrido daños por alteraciones no autorizadas hechas en el producto.
9. La remoción y/o la reinstalación de su producto.

ESTIPULACIONES DE EXONERACIÓN DE GARANTÍAS IMPLÍCITAS; LIMITACIÓN DE LOS RECURSOS

El único recurso del que usted dispone en virtud de esta garantía limitada es la reparación o el cambio de las piezas defectuosas. En cas de problèmes de disponibilité des pièces, le constructeur se réserve le droit de remplacer des pièces similaires qui sont également fonctionnels. El fabricante no será responsable por ningún tipo de daño accesorio o indirecto ocasionado por el incumplimiento de lo estipulado ya sea en esta garantía limitada o en alguna garantía implícita pertinente, ni por las fallas o los daños ocasionados por actos fortuitos, cuidado y mantenimiento inadecuados, fuego provocado por la grasa, accidentes, modificaciones, cambio de piezas por cualquier persona que no sea el fabricante, uso indebido, transporte, uso con fines comerciales, abuso, ambientes hostiles (condiciones inclementes del tiempo, fenómenos naturales, acción de los animales), instalación inadecuada o instalación que no se realice de conformidad con las disposiciones de los códigos locales o las instrucciones impresas del fabricante.

ESTA GARANTÍA LIMITADA ES LA ÚNICA GARANTÍA EXPLÍCITA OFRECIDA POR EL FABRICANTE. EL FABRICANTE NO GARANTIZA NINGUNA ESPECIFICACIÓN O DESCRIPCIÓN DE RENDIMIENTO DEL PRODUCTO, INDEPENDIEMENTE DEL LUGAR DONDE APAREZCAN, SALVO EN LA MEDIDA SEÑALADA EN ESTA GARANTÍA LIMITADA. POR EL PRESENTE, EL PLAZO DE VIGENCIA DE LA PROTECCIÓN QUE OTORGAN LAS GARANTÍAS IMPLÍCITAS, EN VIRTUD DE LAS LEYES DE CUALQUIER ESTADO, INCLUYENDO LA GARANTÍA IMPLÍCITA ACERCA DE LA IDONEIDAD DEL PRODUCTO PARA SU COMERCIALIZACIÓN O PARA ALGÚN PROPÓSITO DETERMINADO, QUEDA LIMITADO AL PLAZO DE VIGENCIA DE ESTA GARANTÍA LIMITADA.

Ni los distribuidores, ni el negocio minorista que vende este producto, están autorizados para ofrecer ninguna garantía ni para prometer recursos adicionales o incongruentes con los arriba indicados. En todo caso, el límite máximo de responsabilidad del fabricante no será mayor que el precio de compra pagado por el consumidor original.

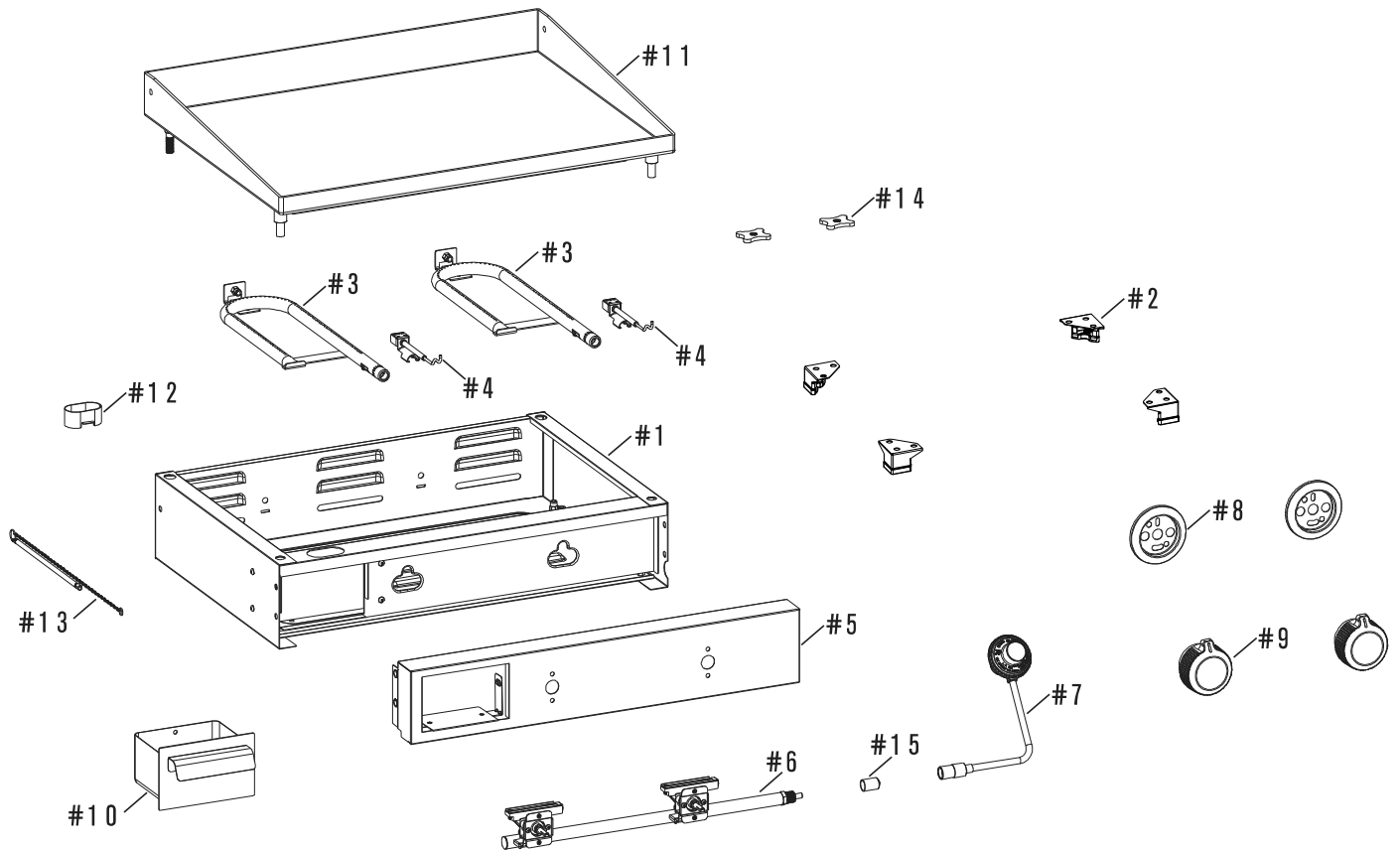
NOTA: Algunos estados no permiten la exclusión ni la limitación de daños accesorios o indirectos, de manera que es posible que las limitaciones o exclusiones arriba señaladas no correspondan en su caso. Esta garantía le otorga derechos específicos, señalados aquí. Es posible que usted tenga otros derechos que pueden variar de un estado a otro. Sólo en el estado de California, en el caso en que no sea comercialmente viable reparar o cambiar el acabado del producto, el minorista que vende este producto o el fabricante le reembolsarán el precio de compra pagado por el mismo, menos la cantidad directamente atribuible al uso dado por el consumidor-comprador original, antes de haber descubierto la falla. Además, y únicamente en el estado de California, usted podrá llevar el producto al negocio minorista que venda este producto para solicitar servicios en virtud de esta garantía limitada.

Si desea obtener algún servicio en virtud de esta garantía limitada, debe dirigir su correspondencia a:
Consumer Relations
P. O. Box 1240
Columbus, GA 31904-1240

No se aceptarán las devoluciones por parte del consumidor a menos que haya obtenido primero una autorización válida de devolución. Debe rotular de manera legible la parte exterior del paquete de devolución autorizada con su número de autorización de devolución y remitir dicho paquete con el flete o el porte pagado. Se rechazará toda devolución del consumidor que no cumpla con las reglas anteriores.



PARTS DIAGRAM / SCHÉMA DES PIÈCES / VISTA ESQUEMÁTICA DE PIEZAS



PARTS LIST

KEY	QTY	DESCRIPTION
1	1	FIREBOX
2	4	LEG
3	2	MAIN BURNER
4	2	ELECTRODE, F/ MAIN BURNER
5	1	CONTROL PANEL, MAIN
6	1	VALVE MANIFOLD ASSEMBLY
7	1	REGULATOR ASSEMBLY
8	2	BEZEL F/ CONTROL KNOB
9	2	CONTROL KNOB
10	1	GREASE TRAY

KEY	QTY	DESCRIPTION
11	1	GRIDDLE
12	1	GREASE CHANNEL
13	1	MATCH HOLDER
14	2	LEVEL NUT
15	1	CAP F/ MANIFOLD

NOT Pictured

...	1	PRODUCT GUIDE
...	1	HARDWARE PACK



LISTE DES PIÈCES

Réf.	Qté	Description
1	1	FOYER
2	4	PIED
3	2	BRÔLEUR PRINCIPAL
4	2	ÉLECTRODE, BRÔLEUR PRINCIPAL
5	1	PANNEAU DE CONTRÔLE PRINCIPAL
6	1	ENSEMBLE VALVE RAMPE
7	1	RÉGULATEUR
8	2	COLLERETTE D'ENCASTREMENT DU BOUTON
9	2	BOUTON DE RÉGLAGE
10	1	PLATEAU À GRAISSE

Réf.	Qté	Description
11	1	PLAQUE DE CUISSON
12	1	CANAL À GRAISSE
13	1	PORTE-ALLUMETTES
14	2	ÉCROU DE NIVEAU
15	1	BOUCHON AVEC COLLECTEUR

NON illustré

...	1	MANUEL D'ASSEMBLAGE
...	1	SAC DE FERRURES

LISTA DE PARTES

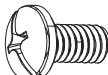
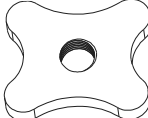
Clave	Cant.	Descripción
1	1	CÁMARA DE COMBUSTIÓN
2	4	PATA
3	2	QUEMADOR PRINCIPAL
4	2	ELECTRODO, QUEMADOR PRINCIPAL
5	1	TABLERO DE CONTROL PRINCIPAL
6	1	CONJUNTO DE COLECTOR DE VÁLVULAS
7	1	REGULADOR
8	2	MARCO, PERILLA DE CONTROL
9	2	PERILLA DE CONTROL

Clave	Cant.	Descripción
10	1	BANDEJA PARA LA GRASA
11	1	PLANCHA
12	1	CANAL DE GRASA
13	1	PORTAFÓSFOROS
14	2	TUERCA DE NIVELACIÓN
15	1	TAPA P/ COLECTOR

No se ilustra

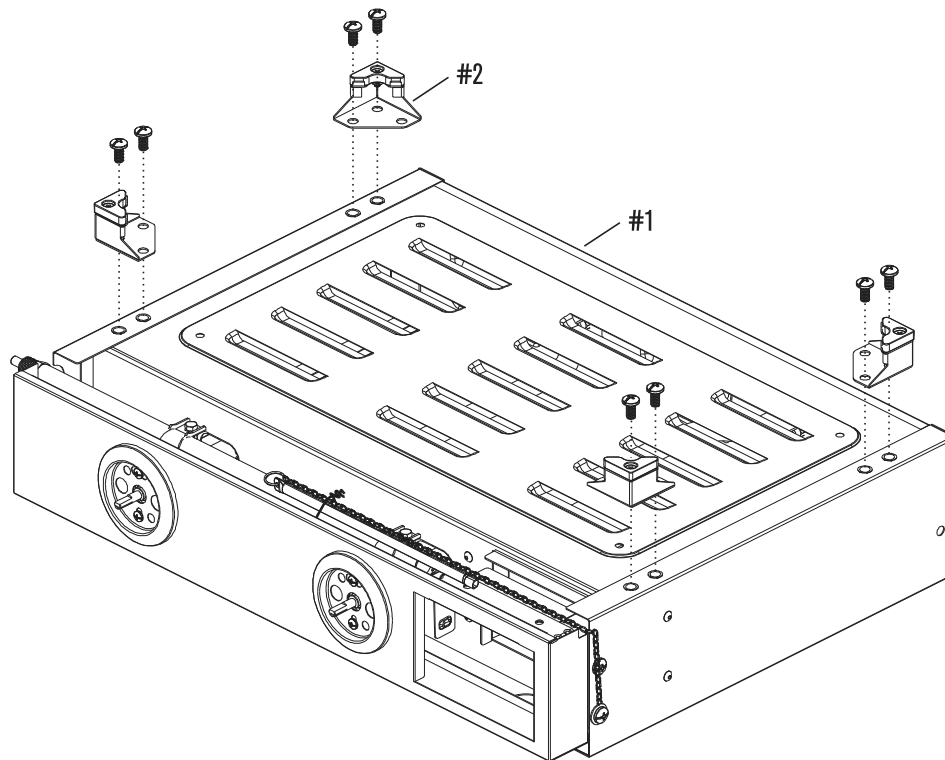
...	1	MANUAL DEL PRODUCTO
...	1	PAQUETE DE TORNILLERÍA

HARDWARE LIST / LISTA DE HERRAJES / LISTE DES FERRURES

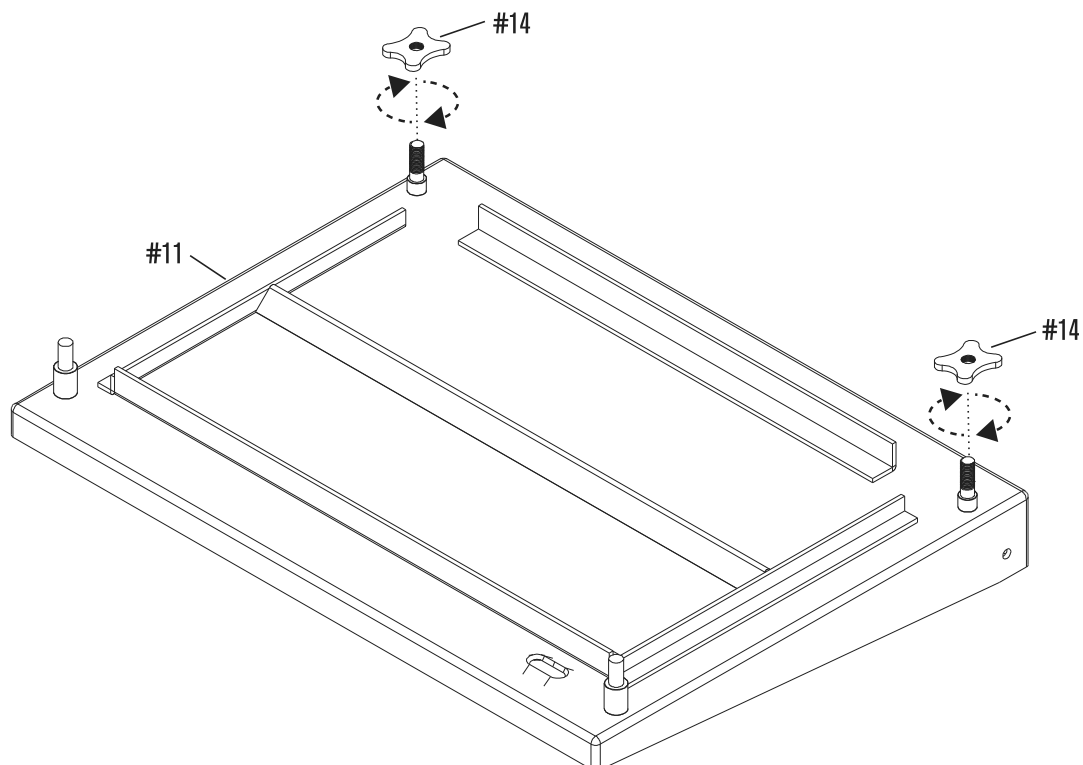
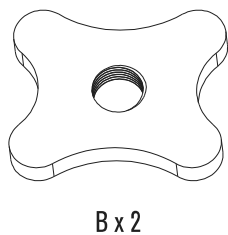
Key/ Réf./ Clave	Description/ Description/ Descripción	Picture/ Illustré/ Ilustra	Qty/ Qté/ Cant
A	1/4-20 x1/2" Screw Vis 1/4-20 x 1/2 po Tornillo de 1/4 -20 x 1/2"		8
B	Hexagon Flange Nut Écrou à bride hexagonale Tuerca de brida hexagonal		2

ASSEMBLY / ASSEMBLAGE / ASAMBLEA

1

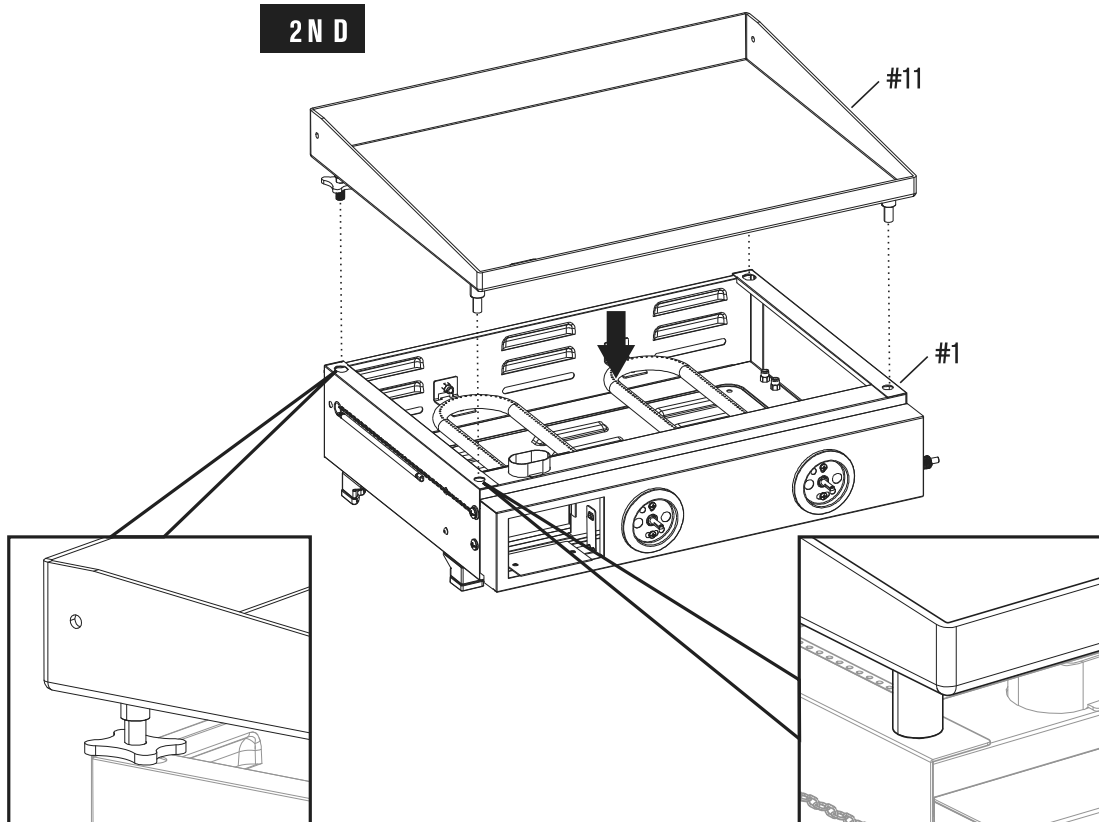
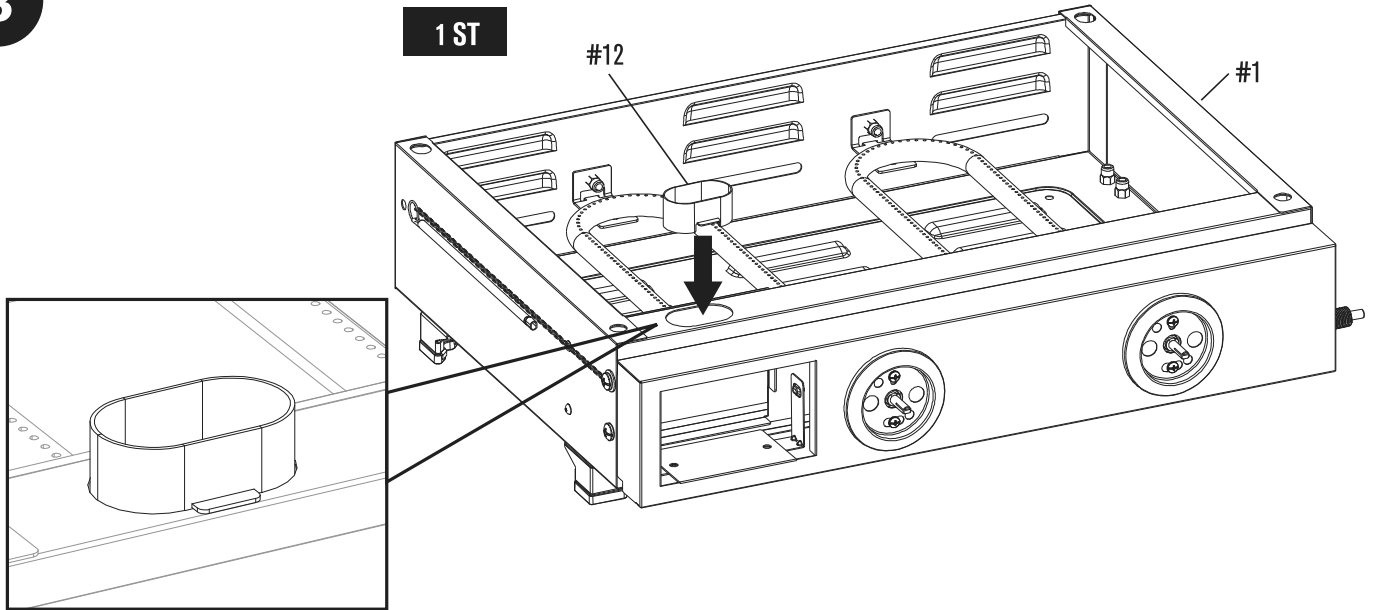


2



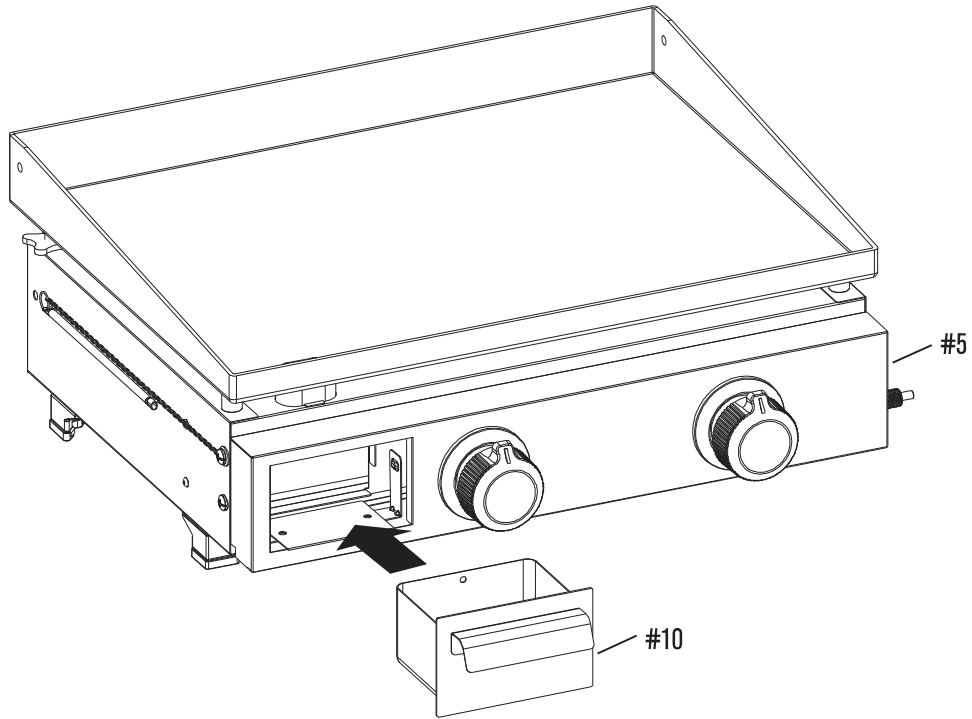
ASSEMBLY / ASSEMBLAGE / ASAMBLEA

3

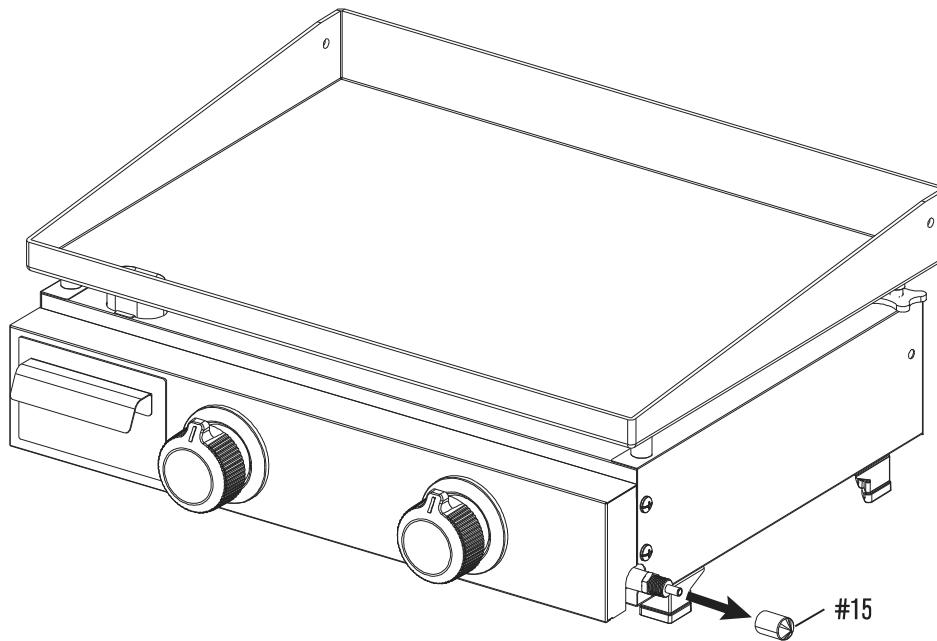


ASSEMBLY / ASSEMBLAGE / ASAMBLEA

4



5

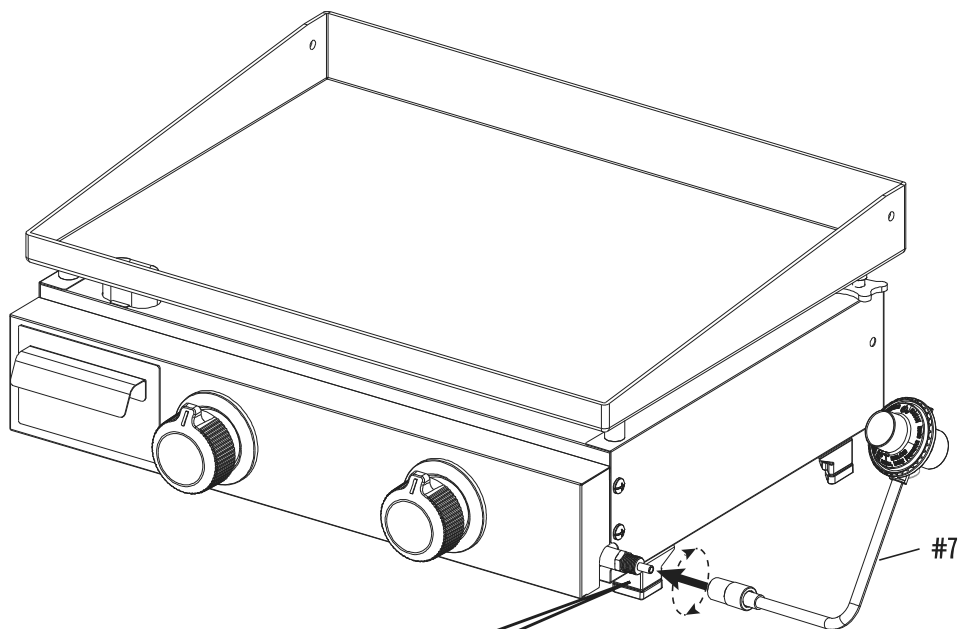


IMPORTANT: Do not discard the Safety cover.
IMPORTANT : Ne jetez pas le couvercle de sécurité.
IMPORTANTE: No deseche la cubierta de seguridad.

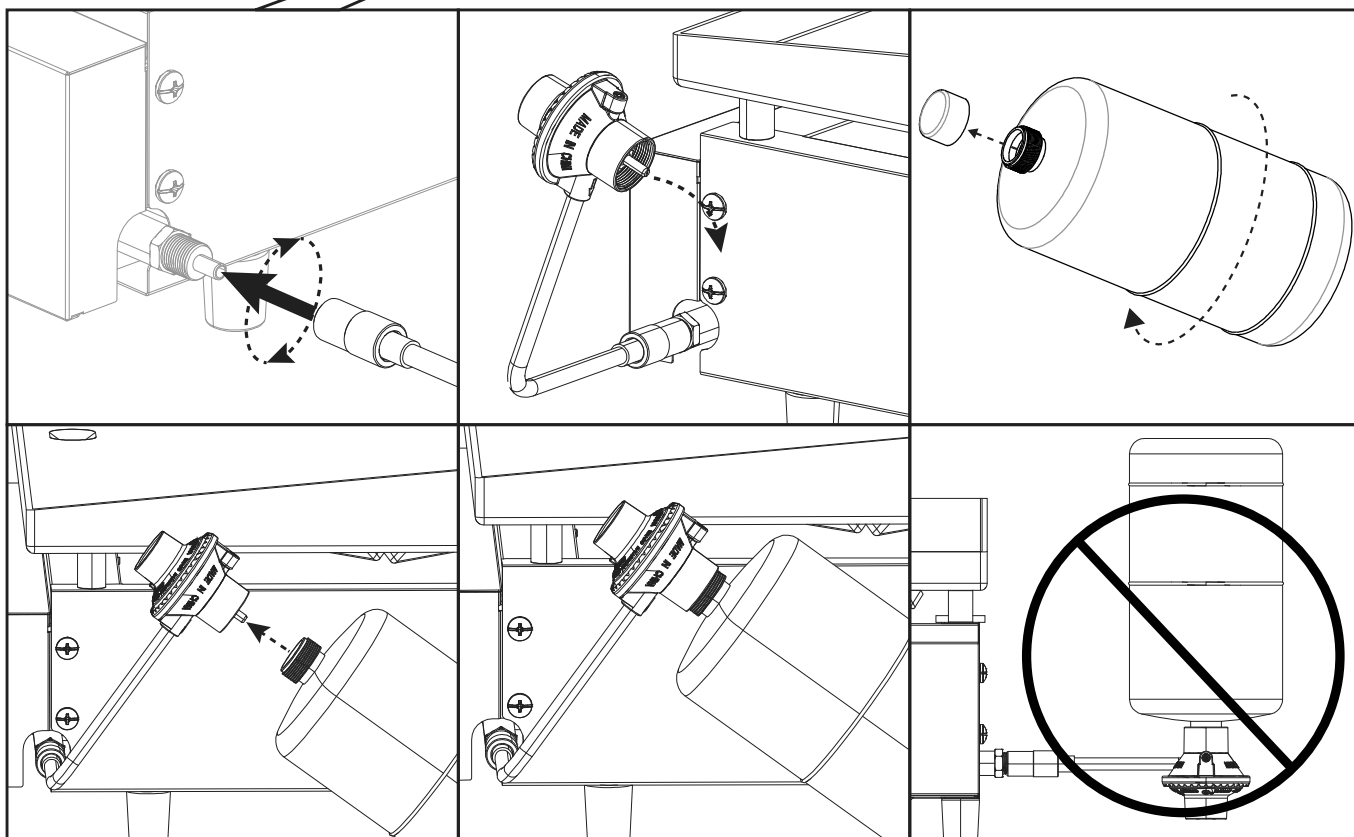


ASSEMBLY / ASSEMBLAGE / ASAMBLEA

6

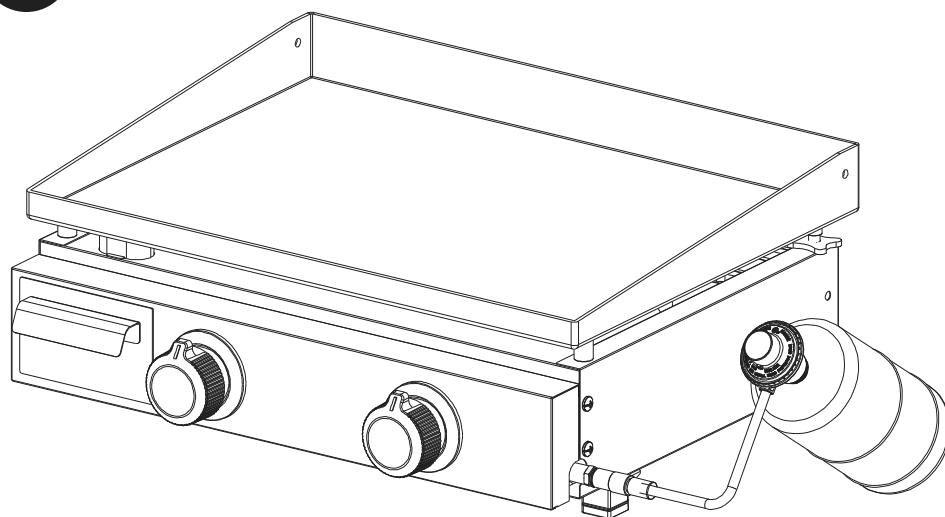


NOTE: The 1 lb propane cylinder is sold separately.
REMARQUE : La bouteille de propane de 1 lb est vendue séparément.
NOTA: El cilindro de propano de 1 lb se vende por separado.



ASSEMBLY / ASSEMBLAGE / ASAMBLEA

7



WARNING: NEVER OPERATE GRIDDLE WITH PROPANE CYLINDER IN AN INVERTED POSITION.
AVERTISSEMENT : NE JAMAIS UTILISER DE PLAQUE CHAUFFANTE AVEC UNE BOUTEILLE DE PROPANE EN POSITION INVERSÉE.
ADVERTENCIA: NUNCA OPERE LA PLANCHA CON CILINDRO DE PROPANO EN POSICIÓN INVERTIDA.

TROUBLESHOOTING

EMERGENCIES: If a gas leak cannot be stopped, or a fire occurs due to gas leakage, call the fire department.

EMERGENCIES	POSSIBLE CAUSE	PREVENTION/SOLUTION
Gas leaking from LP cylinder.	<ul style="list-style-type: none"> Mechanical failure due to rusting or mishandling. 	<ul style="list-style-type: none"> Replace LP cylinder.
Gas leaking from LP cylinder valve regulator control valve connection.	<ul style="list-style-type: none"> Improper installation, connection not tight, failure of rubber seal. 	<ul style="list-style-type: none"> Remove regulator control valve from cylinder and visually inspect for damage. See LP Cylinder Leak Test and Connecting Regulator control valve to the LP Cylinder.
Fire coming through at burner control valve connection	<ul style="list-style-type: none"> Fire in burner tube section of burner due to blockage. 	<ul style="list-style-type: none"> Turn off control knob. After fire is out and grill is cold, remove burner and inspect for spider nests or rust. See Natural Hazard and Cleaning the Burner Assembly pages.
Fire coming below control panel.	<ul style="list-style-type: none"> Fire in burner tube section of burner due to blockage. 	<ul style="list-style-type: none"> Turn off control knobs and LP cylinder valve. After fire is out and grill is cold, remove burner and inspect for spider nests or rust. See Natural Hazard and Cleaning the Burner Assembly pages.
Grease fire or continuous excessiv flames above cooking surface.	<ul style="list-style-type: none"> Too much grease buildup in cooking area. 	<ul style="list-style-type: none"> Turn off control knobs and LP cylinder valve. After cooling, clean food particles and excess grease from griddle surface, grease cup, and other surfaces.

TROUBLESHOOTING

PROBLEM	POSSIBLE CAUSE	PREVENTION/SOLUTION
Burner(s) will not light using ignitor.	GAS ISSUES: <ul style="list-style-type: none"> Burner not engaged with control valve. Obstruction in burner. No gas flow. Regulator and LP cylinder valve not fully connected. Control Valve knob does NOT pop up in the OFF position. 	<ul style="list-style-type: none"> Make sure control valve is positioned inside of burner tube. Ensure burner tube is not obstructed with spider webs or other matter. See cleaning section of Use and Care. Make sure LP cylinder is not empty. Remove LP cylinder. Clean threads on LP cylinder and regulator control valve. Replace regulator. Replace valve/manifold assembly.
	ELECTRICAL ISSUES: <ul style="list-style-type: none"> Electrode cracked or broken; "sparks at crack." Electrode and burner are wet Wire and/or electrode covered with cooking residue. Wires are loose or disconnected. Wires are shorting (sparking) between ignitor and electrode. 	<ul style="list-style-type: none"> Replace electrode(s). Wipe dry with a cloth. Clean wire and/or electrode with rubbing alcohol and clean swab. Reconnect wires or replace electrode/wire assembly. Replace ignitor wire/electrode assembly



TROUBLESHOOTING

PROBLEM	POSSIBLE CAUSE	PREVENTION/SOLUTION
Burner(s) will not match light.	<ul style="list-style-type: none"> • See "GAS ISSUES:" • Match will not reach. • Improper method of match-lighting. 	<ul style="list-style-type: none"> • Use long-stem match (fireplace match). • See "Match-Lighting" section of Lighting Your Griddle.
Sudden drop in gas flow or low flame.	<ul style="list-style-type: none"> • Out of gas. 	<ul style="list-style-type: none"> • Check for gas in LP cylinder.
Flames blow out.	<ul style="list-style-type: none"> • High or gusting winds. • Low on LP gas. 	<ul style="list-style-type: none"> • Turn front of griddle to face wind or increase flame height by turning gas valve to a higher position. • Replace LP cylinder.
Flare-up.	<ul style="list-style-type: none"> • Grease buildup. • Excessive fat in meat. • Excessive cooking temperature. 	<ul style="list-style-type: none"> • Clean burners and griddle cooking surface. • Trim fat from meat before cooking. • Adjust (lower) temperature accordingly.
Persistent grease fire.	<ul style="list-style-type: none"> • Grease trapped by food buildup. 	<ul style="list-style-type: none"> • Turn knobs to OFF. Let fire burn out. After griddle cools, remove and clean all parts.
Flashback (fire in burner tube(s)).	<ul style="list-style-type: none"> • Burner and/or burner tubes are blocked. 	<ul style="list-style-type: none"> • Turn knobs to OFF. Clean burner and/or burner tubes. See burner cleaning Care and Maintenance Section of this guide.

DÉPANNAGE

URGENCES : si une fuite de gaz ne peut pas être arrêtée, ou si un incendie se propage en raison d'une fuite de gaz, appelez le service d'incendie.

URGENCES	CAUSE POSSIBLE	PRÉVENTION/SOLUTION
Du gaz fuit de la bonbonne de gaz.	<ul style="list-style-type: none"> Problème mécanique dû à la rouille ou à un mauvais usage. 	<ul style="list-style-type: none"> Remplacez la bonbonne de gaz.
Du gaz fuit au branchement de la valve du régulateur de la bonbonne de gaz	<ul style="list-style-type: none"> Mauvaise installation, branchement trop peu serré, défaut de joint d'étanchéité en caoutchouc. 	<ul style="list-style-type: none"> Retirez la valve de contrôle du régulateur de la bonbonne et inspectez-la visuellement à la recherche de tout dommage. Voir Test de fuite de la bonbonne de gaz propane et Branchement de la valve de contrôle du régulateur à la bonbonne de gaz.
Flammes qui sortent de la connexion du bouton de contrôle du brûleur.	<ul style="list-style-type: none"> Flammes causées par un blocage dans une section du tuyau du brûleur. 	<ul style="list-style-type: none"> Éteindre le bouton de contrôle. Une fois les flammes éteintes et le grill refroidi, enlevez le brûleur et inspectez-le à la recherche de toiles d'araignées ou de rouille. Voir les pages traitant des risques naturels et du nettoyage de l'assemblage du brûleur.
Flammes sous le panneau de contrôle.	<ul style="list-style-type: none"> Flammes causées par un blocage dans une section du tuyau du brûleur. 	<ul style="list-style-type: none"> Mettez tous les boutons de commande et la valve de la bonbonne en position OFF. Une fois les flammes éteintes et le grill refroidi, enlevez le brûleur et inspectez-le à la recherche de toiles d'araignées ou de rouille. Voir les pages traitant des risques naturels et du nettoyage de l'assemblage du brûleur.
Feu de graisse ou flammes excessives qui persistent au-dessus de la surface de cuisson.	<ul style="list-style-type: none"> Accumulation de graisse dans la zone de cuisson. 	<ul style="list-style-type: none"> Mettez tous les boutons de commande et la valve de la bonbonne en position OFF. Après refroidissement, enlevez les particules de nourriture et la graisse excédentaire de la surface du grill, du récipient à graisse et des autres surfaces.

DÉPANNAGE

PROBLÈME	CAUSE POSSIBLE	PRÉVENTION/SOLUTION
Le ou les brûleur(s) ne s'allument pas à l'aide du bouton d'allumage.	PROBLÈMES DE GAZ : <ul style="list-style-type: none"> Le brûleur ne répond pas au bouton de contrôle. Obstruction dans le brûleur. Aucun flux de gaz. Le régulateur et la valve de la bonbonne de gaz sont mal connectés. Le bouton de contrôle ne rebondit pas en position OFF. 	<ul style="list-style-type: none"> Assurez-vous que le bouton de contrôle est bien en place dans le tuyau du brûleur. Assurez-vous que le tuyau du brûleur n'est pas obstrué par des toiles d'araignée ou d'autres matières. Voyez les instructions de nettoyage à la section Utilisation et entretien. Assurez-vous que la bonbonne de gaz n'est pas vide. Enlevez la bonbonne de gaz. Nettoyez le filetage de la bonbonne de gaz et de la vanne du régulateur. Remplacez le régulateur. Remplacez l'assemblage de valve et de régulateur.
	QUESTIONS LIÉES À L'ÉLECTRICITÉ : <ul style="list-style-type: none"> Électrode fissurée ou brisée; « étincelles à la fissure ». L'électrode et le brûleur sont humides. Le câble ou l'électrode sont couverts de résidus de cuisson. Les câbles sont débranchés ou mal branchés. Un court-circuit se produit (étincelles) entre le bouton d'allumage et l'électrode. 	

DÉPANNAGE

PROBLÈME	CAUSE POSSIBLE	PRÉVENTION/SOLUTION
Le/les brûleur(s) ne s'allume(nt) pas avec une allumette.	<ul style="list-style-type: none"> • Voyez « PROBLÈMES LIÉS AU GAZ : » • L'allumette ne se rend pas assez loin. • La méthode d'allumage à l'allumette n'est pas appropriée. 	<ul style="list-style-type: none"> • Utilisez une allumette longue (comme pour les foyers). • Voir la section « Allumage avec une allumette » de l'Allumage de votre gril.
Diminution brutale du flux de gaz ou flamme faible.	<ul style="list-style-type: none"> • La bonbonne de gaz est vide. 	<ul style="list-style-type: none"> • Vérifiez la bonbonne de gaz.
Les flammes s'éteignent.	<ul style="list-style-type: none"> • Vents forts ou rafales. • Quantité de gaz insuffisante. 	<ul style="list-style-type: none"> • Tournez le devant du gril face au vent ou augmentez la hauteur de la flamme à l'aide du bouton de contrôle. • Remplacez la bonbonne de gaz.
Flambée.	<ul style="list-style-type: none"> • Accumulation de graisse. • Viande trop grasse. • Température de cuisson trop élevée. 	<ul style="list-style-type: none"> • Nettoyez les brûleurs et la surface de cuisson du gril. • Parez la viande avant de la cuire. • Ajustez la température à la baisse en conséquence.
Feu de graisse persistant.	<ul style="list-style-type: none"> • Graisse retenue par la nourriture accumulée. 	<ul style="list-style-type: none"> • Tournez les boutons en position OFF. Laissez les flammes s'éteindre. Après le refroidissement du gril, enlevez et nettoyez toutes les pièces.
Retour de flamme (dans le tuyau du brûleur).	<ul style="list-style-type: none"> • Le brûleur ou les tuyaux du brûleur sont bouchés. 	<ul style="list-style-type: none"> • Tournez les boutons en position OFF. Nettoyez le brûleur ou les tuyaux du brûleur. Voir la sous-section sur le nettoyage du brûleur dans la section Instructions d'entretien de ce guide.

SOLUCIÓN DE PROBLEMAS

CASOS DE EMERGENCIA: Si no se puede detener una fuga de gas, o si ocurre un incendio debido a una fuga de gas, llame a los bomberos.

EMERGENCIAS	CAUSAS PROBABLES	MEDIDAS DE PREVENCIÓN / SOLUCIÓN
Gas que se escapa del cilindro LP.	<ul style="list-style-type: none"> Falla mecánica debido a la oxidación o mal manejo. 	<ul style="list-style-type: none"> Reemplace el cilindro de LP.
Fugas de gas desde la conexión de la válvula de control del regulador de la válvula del cilindro LP.	<ul style="list-style-type: none"> Instalación incorrecta, conexión no ajustada, falla del sello de goma. 	<ul style="list-style-type: none"> Retire la válvula de control del regulador del cilindro e inspeccione visualmente si presenta daños. Consulte la válvula de control del regulador de conexión del cilindro LP y la válvula de control del regulador de conexión al cilindro LP.
Fuego saliendo de la conexión de la válvula de control del quemador.	<ul style="list-style-type: none"> Fuego en la sección del tubo del quemador del quemador debido al bloqueo. 	<ul style="list-style-type: none"> Apague la perilla de control. Una vez que el fuego se haya apagado y la parrilla esté fría, retire el quemador e inspeccione en busca de nidos de arañas u óxido. Consulte las páginas de peligros naturales y limpieza del conjunto de quemadores.
Fuego saliendo debajo del panel de control.	<ul style="list-style-type: none"> Fuego en la sección del tubo del quemador del quemador debido al bloqueo. 	<ul style="list-style-type: none"> Apague las perillas de control y la válvula del cilindro LP. Una vez que el fuego se haya apagado y la parrilla esté fría, retire el quemador e inspeccione en busca de nidos de arañas u óxido. Consulte las páginas de peligros naturales y limpieza del conjunto de quemadores.
Fuego de grasa o llamas excesivas continuas sobre la superficie de cocción.	<ul style="list-style-type: none"> Acumulación excesiva de grasa en el área de cocción. 	<ul style="list-style-type: none"> Apague las perillas de control y la válvula del cilindro LP. Después de enfriar, limpie las superficies de comida y el exceso de grasa de la superficie de la plancha, la taza de grasa y otras superficies.

SOLUCIÓN DE PROBLEMAS

PROBLEMA	CAUSAS PROBABLES	MEDIDAS DE PREVENCIÓN / SOLUCIÓN
Los quemadores no se encienden con el encendedor.	PROBLEMAS CON EL GAS: <ul style="list-style-type: none"> Quemador no conectado a la válvula de control. Obstrucción en el quemador. Sin flujo de gas. El regulador y la válvula del cilindro LP no están completamente conectados. La perilla de la válvula de control NO se levanta en la posición OFF. 	<ul style="list-style-type: none"> Asegúrese de que la válvula de control esté colocada dentro del tubo del quemador. Asegúrese de que el tubo del quemador no esté obstruido con telarañas u otra materia. Consulte la sección de limpieza en Uso y cuidado. Asegúrese de que el cilindro de LP no esté vacío. Retire el cilindro de LP. Limpie las roscas en el cilindro LP y la válvula de control del regulador. Reemplace el regulador. Reemplace el conjunto de la válvula/colector.
	PROBLEMAS CON LA ELECTRICIDAD: <ul style="list-style-type: none"> Electrodo agrietado o roto; "chispas en las grietas". El electrodo y el quemador están mojados. Alambre y/o electrodo cubierto con residuos de cocción. Los cables están sueltos o desconectados. Los cables están en cortocircuito (chispas) entre el encendedor y el electrodo. 	



SOLUCIÓN DE PROBLEMAS

PROBLEMA	CAUSAS PROBABLES	MEDIDAS DE PREVENCIÓN / SOLUCIÓN
Los quemadores no se encienden con la cerilla.	<ul style="list-style-type: none"> • Consulte "PROBLEMAS CON EL GAS:" • La cerilla no es lo suficientemente larga. • Método incorrecto de encendido con cerilla. 	<ul style="list-style-type: none"> • Use cerillas de tallo largo (fósforos de chimenea). • Consulte la sección "Encendido mediante cerilla" en Encendido de la plancha.
Repentina caída en el flujo de gas o baja llama.	<ul style="list-style-type: none"> • Se acabó el gas. 	<ul style="list-style-type: none"> • Verifique si hay gas en el cilindro LP.
Las llamas se apagan.	<ul style="list-style-type: none"> • Vientos fuertes o ráfagas. • Queda poco gas LP. 	<ul style="list-style-type: none"> • Gire la parte delantera de la plancha hacia la dirección del viento o aumente la altura de la llama girando la válvula de gas a una posición más alta. • Reemplace el cilindro de LP.
Llamaradas.	<ul style="list-style-type: none"> • Acumulación de grasa. • Exceso de grasa en la carne. • Temperatura de cocción excesiva. 	<ul style="list-style-type: none"> • Limpie los quemadores y la superficie de cocción de la plancha. • Recorte la grasa de la carne antes de cocinar. • Ajuste la temperatura (más baja) según sea necesario.
Incendio de grasa persistente.	<ul style="list-style-type: none"> • Grasa atrapada por la acumulación de alimentos. 	<ul style="list-style-type: none"> • Gire las perillas a la posición OFF. Deje que el fuego se consuma. Después de que la plancha se enfríe, retire y limpie todas las piezas.
Retroceso de la llama (fuego en los tubos del quemador).	<ul style="list-style-type: none"> • El quemador y/o los tubos del quemador están bloqueados. 	<ul style="list-style-type: none"> • Gire las perillas a la posición OFF. Limpie el quemador y/o los tubos del quemador. Consulte la limpieza del quemador en la Sección de cuidado y mantenimiento de esta guía.

PRODUCT REGISTRATION

Two convenient ways to register your product:

Deux manières pratiques d'enregistrer votre produit:

Dos maneras convenientes de registrar su producto:

1 Online

En ligne

En línea

www.charbroil.com/product-registration/

2 By Mail | Par la poste | Por correo

Please fill out this card and attached a copy of your sales receipt. Return it within 10 days of purchase for warranty service. Proof of purchase will be required. The warranty is not transferable.

Veillez remplir cette carte et joindre une copie de votre reçu de vente. Renvoyez-le dans les 10 jours de l'achat pour le service de garantie. Une preuve d'achat sera nécessaire. La garantie n'est pas transférable.

Por favor llene esta tarjeta y adjunte una copia de su recibo de compra. Devuelva en el plazo de 10 días de la compra para el servicio de la garantía. Se requerirá prueba de compra. La garantía no es transferible.

*Required / Obligatoire / Necesario

**Please Print / Veuillez imprimer / Por favor imprima

*1. First Name Prénom Nombre	Initial Initiale Inicial	Last Name Nom de famille Apellido
Address Adresse Dirección		Apt. No No d'appt No de appart
City Ville Ciudad	State Etat Estado	Zip Code Code post Código post
*2. E-mail Address Adresse e-mail Dirección de correo electrónico		
*3. Phone Number Numéro de téléphone Número de Teléfono		
*4. Model Number Numéro de modèle Número de modelo		
Serial Number Numéro de série Número de serie		
6. Date of Purchase Date d'achat Fecha de compra		
7. Store Name Nom du magasin Nombre de la tienda		
8. Purchase Price Prix d'achat Precio de compra		
*5. Attach copy of your sales receipt here. Joignez une copie de votre reçu de vente ici. Adjunte una copia de su recibo de venta aquí.		

9 Your Gender | Sexe | Sexe: Male | Masculin | Masculino

Female | Femelle | Femenino

We respect your privacy | Nous respectons votre vie privée | Respetamos su privacidad

Mail to: / Envoyer à: / Correo a:

Char-Broil Warranty Registration

P.O. Box 1240

Columbus, Ga 31902-1240

If you prefer not to receive special offers and promotions from Char-Broil, please check here:

Si vous préférez recevoir des offres et promotions spéciales de Char-Broil, veuillez vérifier ici:

Si estás buscando un lugar para alojarse en Char-Broil, compruebe aquí.

Grill Purchased: Assembled? Boxed?

Thank you for completing this questionnaire | Merci d'avoir rempli ce questionnaire. | Gracias por completar este cuestionario



CB[®]

CHARBROIL

©2023 Char-Broil, LLC. Columbus, GA, 31904. Printed in China. Imprimé en Chine. Impreso en China.

©2023 Assembly instructions. ©2023 Assemblée des instructions. ©2023 Instrucciones de ensamblado.

The product associated with this guide was manufactured in China. Le produit associé à ce guide a été fabriqué en Chine.
Tel producto asociado con esta guía ha sido fabricado en China.

