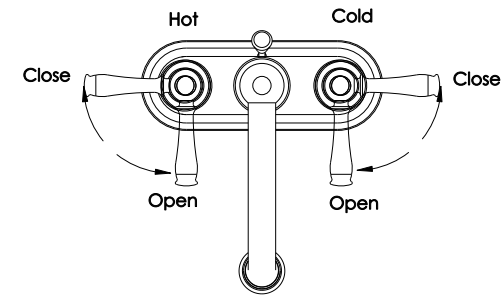
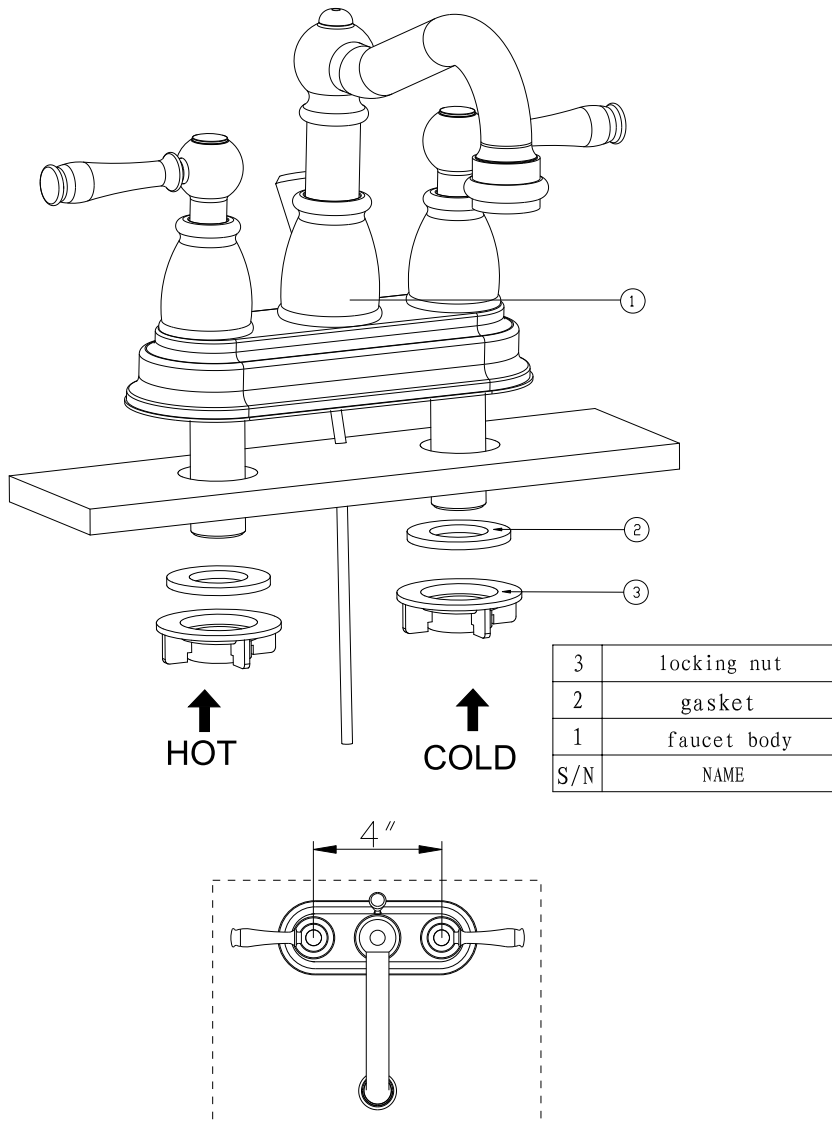


### Bathroom Sink Faucet (Two-Handle Center Set) Installation

1. Drill two Ø 1 holes; put the faucet body (1) through the holes, then put on the gasket (2) and lock the nut (3), tighten it.
2. Connect the flexible hose with the supply tube, left (red) to hot, right (blue) to cold.



### How to Use

1. Turn on the water supply valve, to check every joint if there is any leakage.
2. Left handle controls the hot water, right handle controls the cold water.
3. Move the handle toward the faucets to turn on the water flow and move the handle away from the faucet to cut off the water flow.