
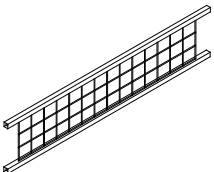

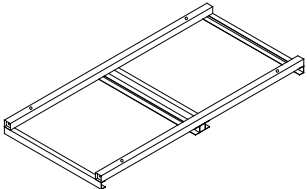
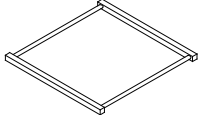
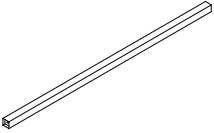
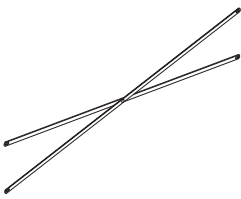
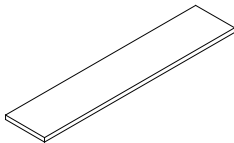
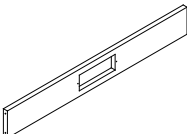
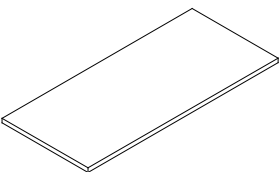
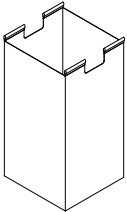
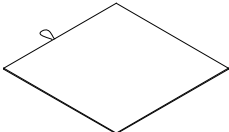
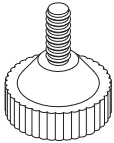
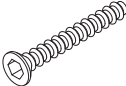
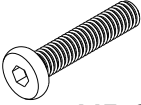
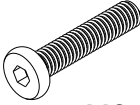
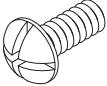
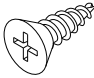
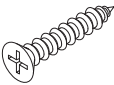
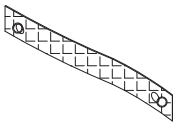
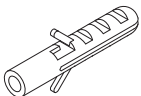
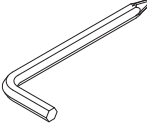
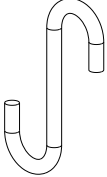
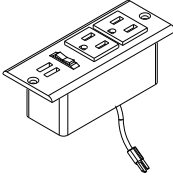


**Laundry Hamper
with Shelf and Power Outlet
Assembly Instructions**

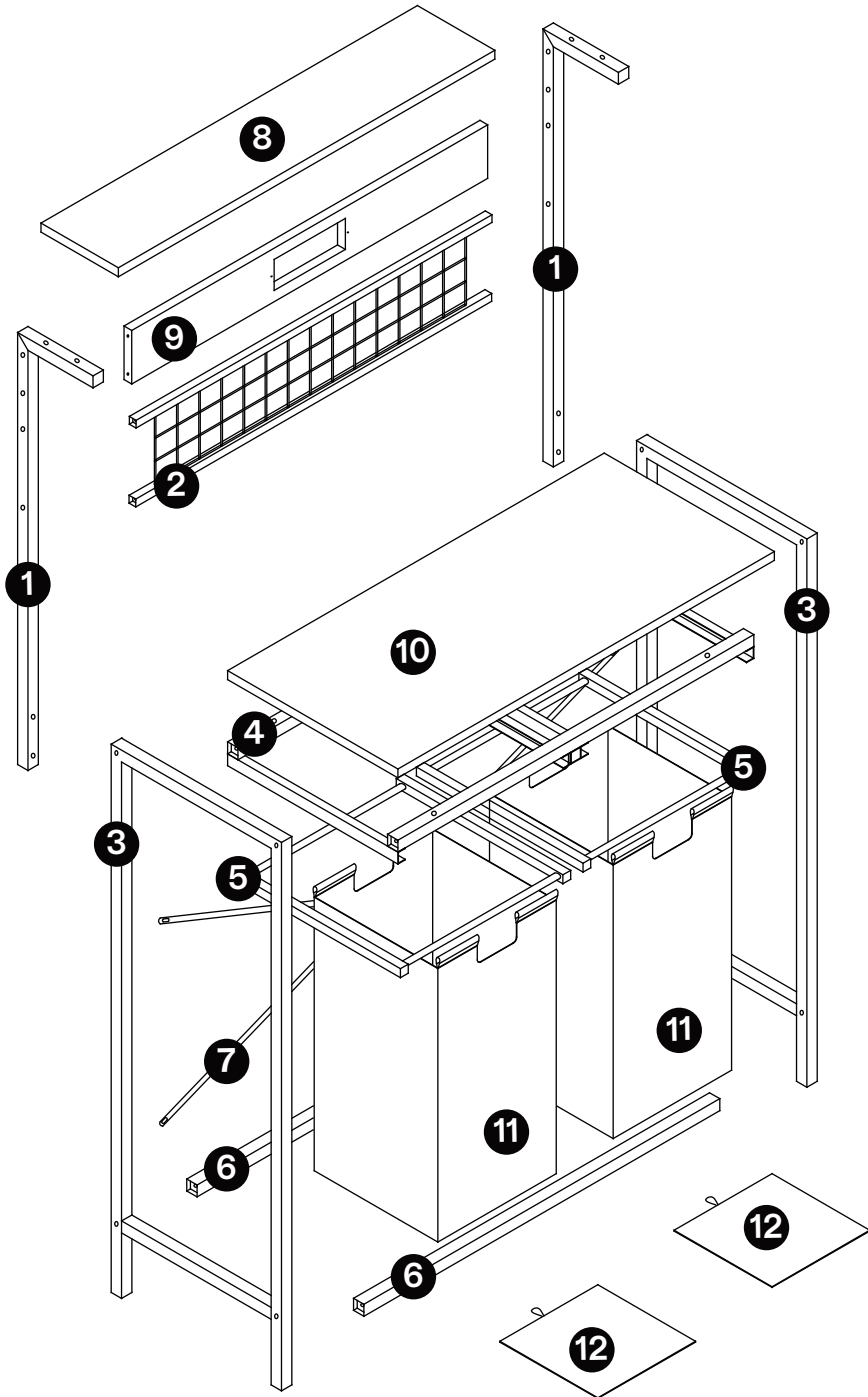
Parts List and Diagram

Item no.	Reference Image	Qty.	Item no.	Reference Image	Qty.
1		x2	2		x1
3		x2	4		x1
5		x2	6		x2
7		x1	8		x1
9		x1	10		x1

Parts List and Diagram

Item no.	Reference Image	Qty.	Item no.	Reference Image	Qty.
11		x2	12		x2
A		x4	B	 M5x50mm	x4
C	 M5x30mm	x8	D	 M6x35mm	x16
E	 M4x12mm	x4	F	 M3.5x14mm	x2
G	 M4x35mm	x2	H	 2x25CM	x2
I		x2	J		x1
K		x5	L		x1

Explosive View

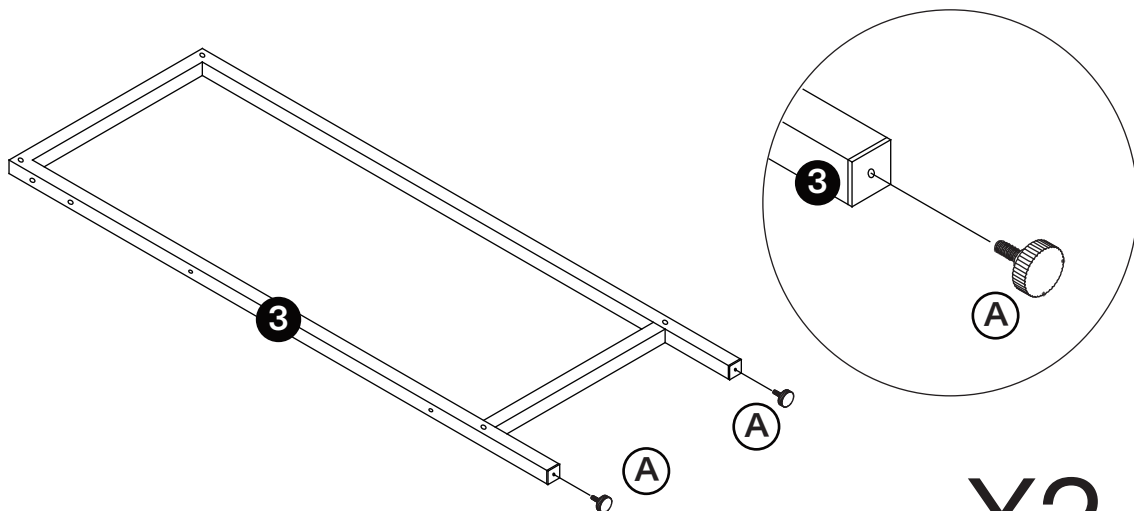


Assembly Steps

STEP 1

3 x 2 pcs.

A x 4 pcs.



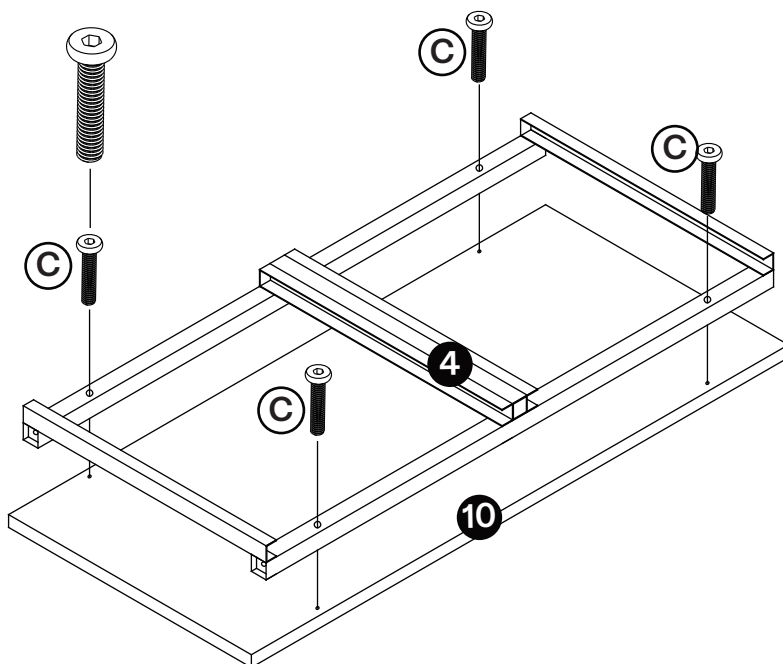
X2

STEP 2

4 x 1 pc.

10 x 1 pc.

C x 4 pcs.

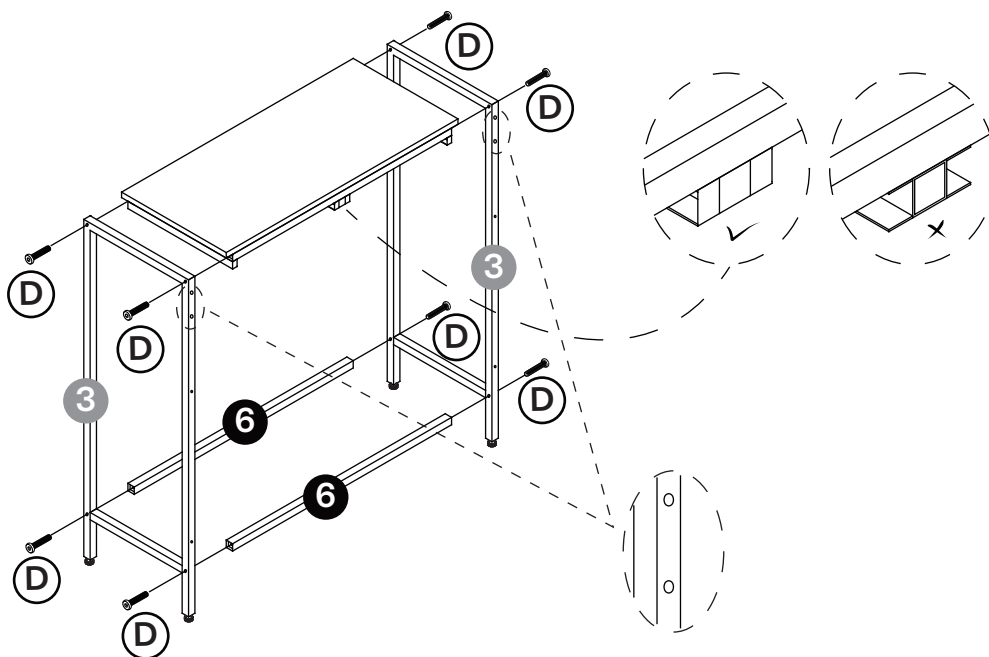


Assembly Steps

STEP 3

6 x 2 pcs.

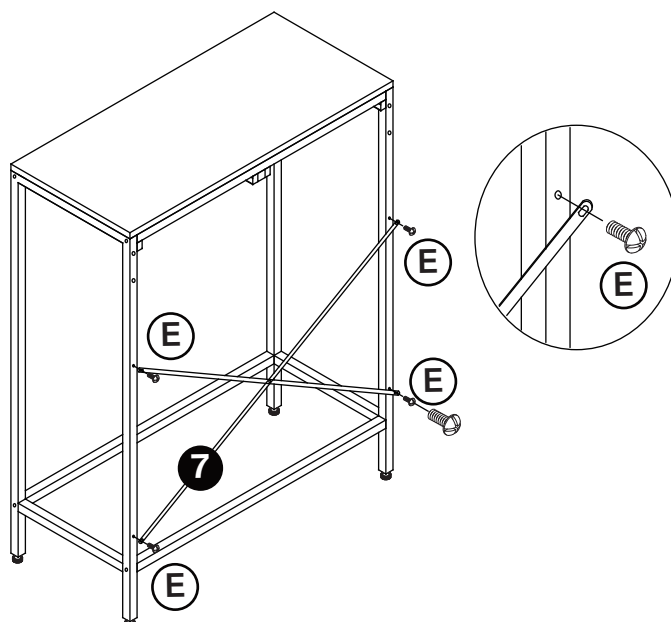
D x 8 pcs.



STEP 4

7 x 1 pc.

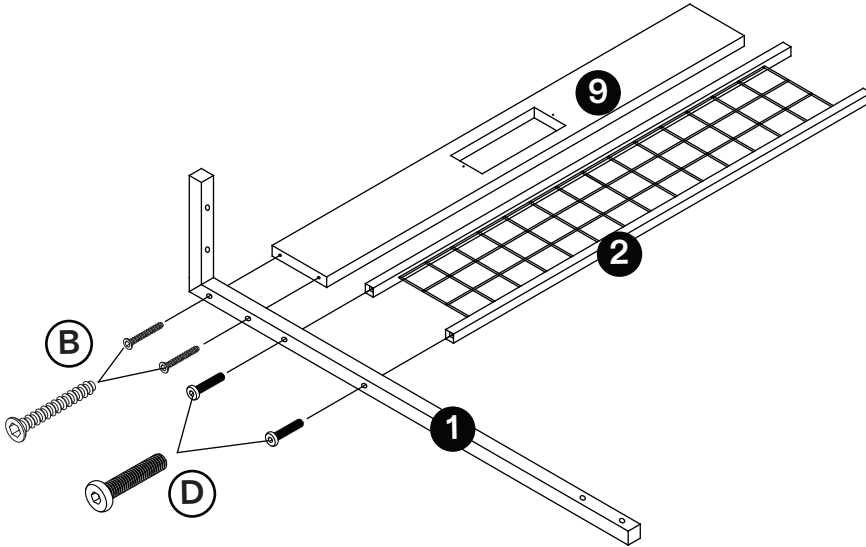
E x 4 pcs.



Assembly Steps

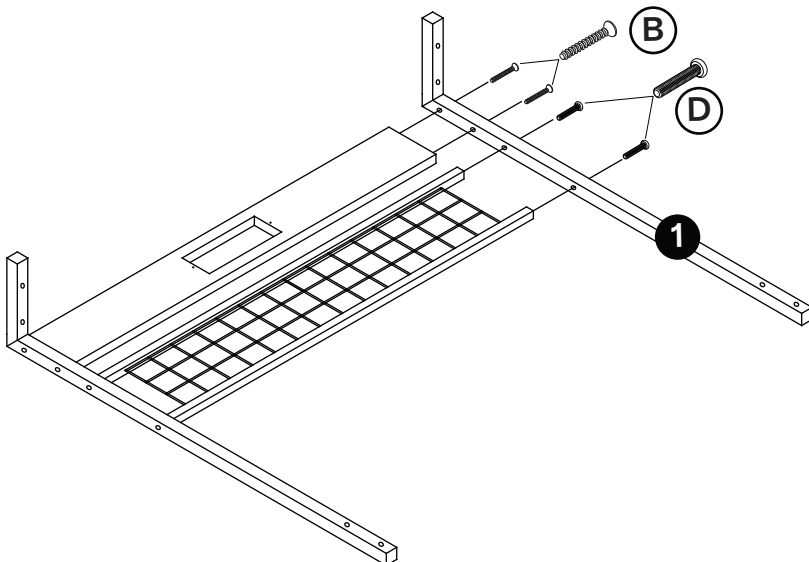
STEP 5

- 1 x 1 pc. 2 x 1 pc. 9 x 1 pc. B x 2 pcs.
D x 2 pcs.



STEP 6

- 1 x 1 pc. B x 2 pcs. D x 2 pcs.

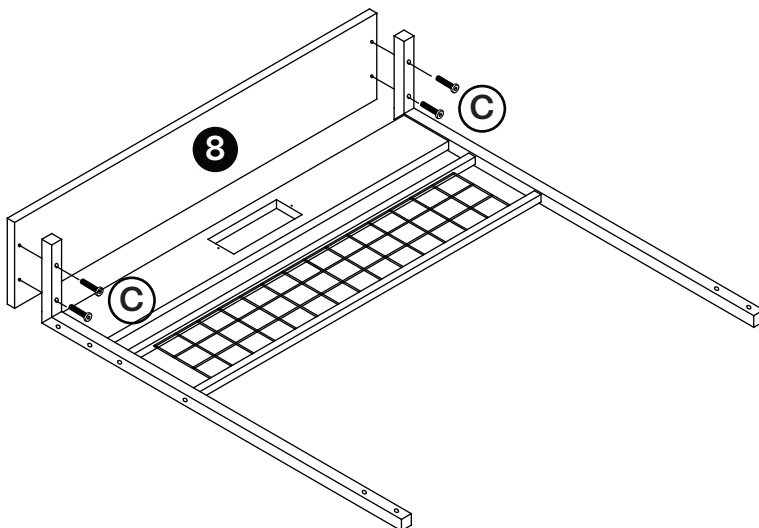


Assembly Steps

STEP 7

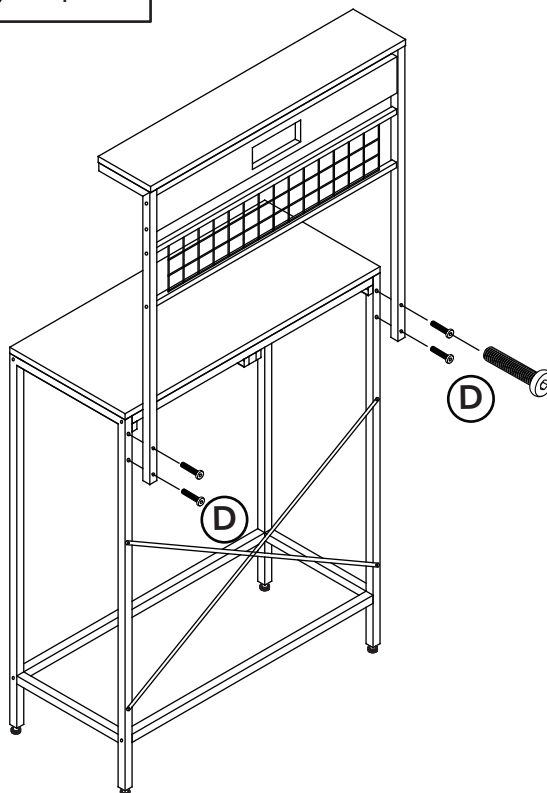
8 x 1 pc.

C x 4 pcs.



STEP 8

D x 4 pcs.



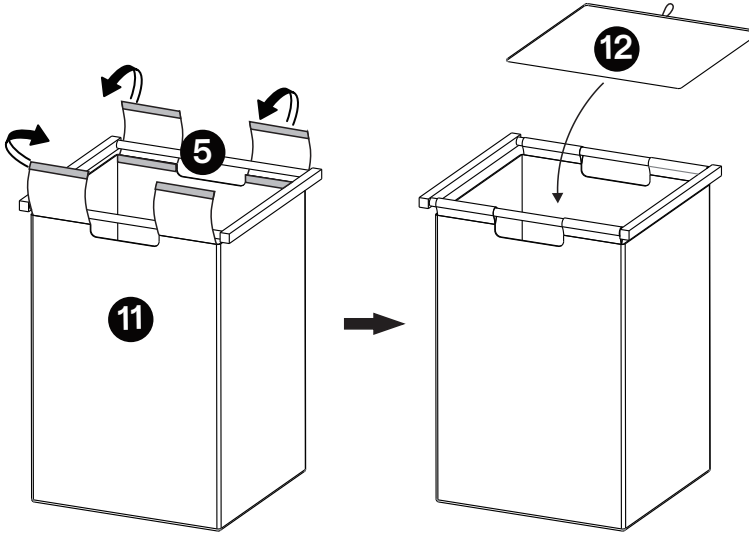
Assembly Steps

STEP 9

5 x 2 pcs.

11 x 2 pcs.

12 x 2 pcs.

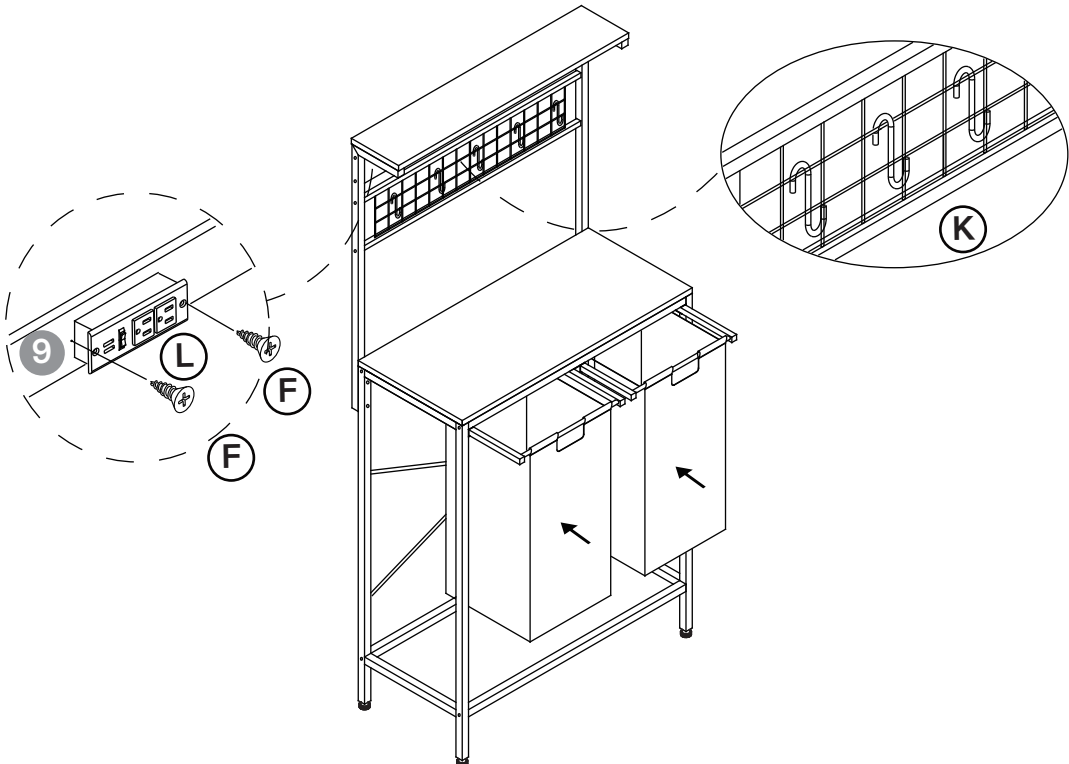


STEP 10

F x 2 pcs.

L x 1 pc.

K x 5 pcs.



Assembly Steps

STEP 11

(G) x 2 pcs.

(I) x 1 pc.

(H) x 2 pcs.

