

LEDSONE'S VINTAGE METAL SPIDER LAMP ASSEMBLING INSTRUCTION

⚠ Please read the instructions care fully before start insatllation



Suggested tools for assembling



Wrench



Screw driver



Drill



Measurement tape

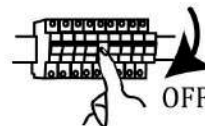
Before start assembling

- Safety first
- Turn off power
- Use proper tools
- Check for damage
- Follow the instructions
- Keep the product dry
- Don't work alone
- Seek professional help

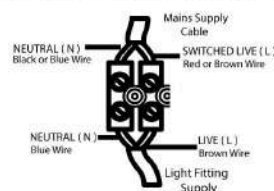
WARNING !!!

Before proceeding make sure the electricity is switchd off at the main supply

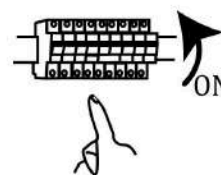
Basic installation Instructions



Make sure to turn off the power source to the circuit you will be working on. Locate the circuit breaker or fusebox and turn off the switch or remove the fuse that controls the circuit.



Use wire connectors for safty connection. Wire connectors are a common and important electromechanical component. Connectors can join to

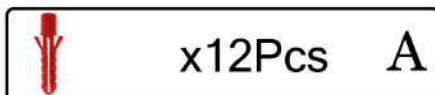


Dont forget to restore the power supply after the full installation

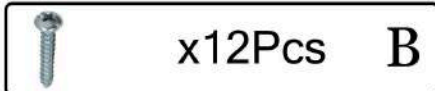
Continue to next page for the product Assembling →

WARNING !!!

Before proceeding make sure the electricity is switchd off at the main supply



x12Pcs A



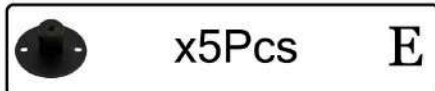
x12Pcs B



x5Pcs C



x5Pcs D



x5Pcs E



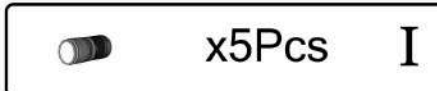
x5Pcs F



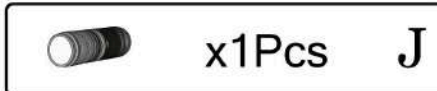
x6Pcs G



x6Pcs H



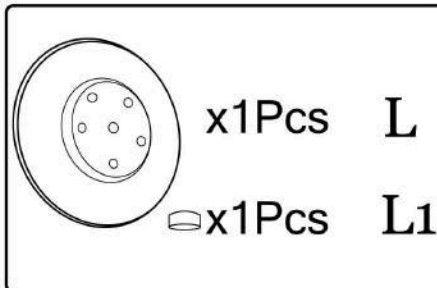
x5Pcs I



x1Pcs J

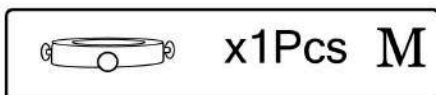


x1Pcs K



x1Pcs L

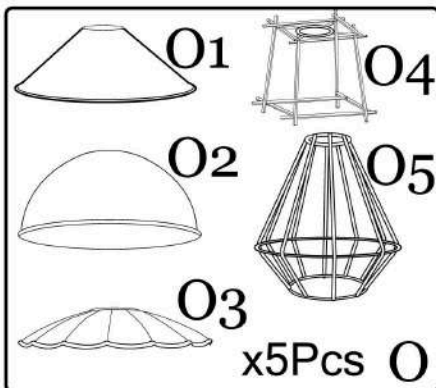
x1Pcs L1



x1Pcs M



x5Pcs N



O1

O4

O2

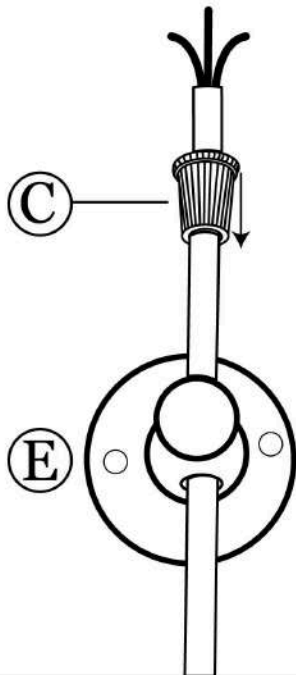
O5

O3

x5Pcs O

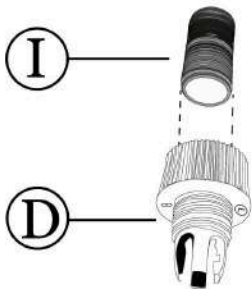
LEDSONE'S VINTAGE METAL SPIDER LAMP ASSEMBLING INSTRUCTION

1



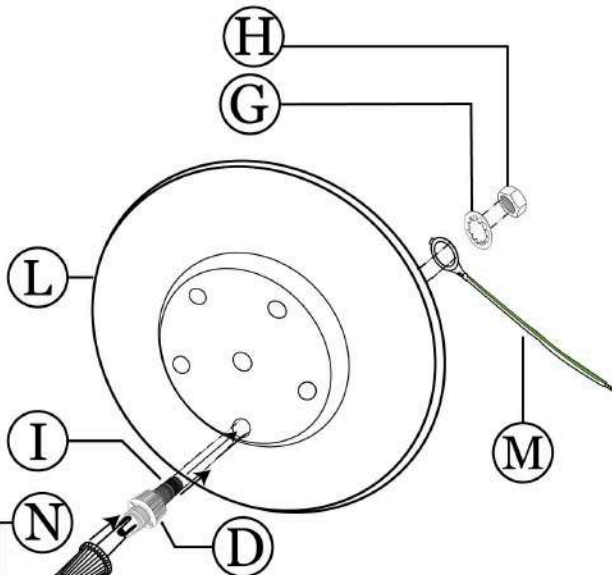
Make the lamp wire go through C and E

2



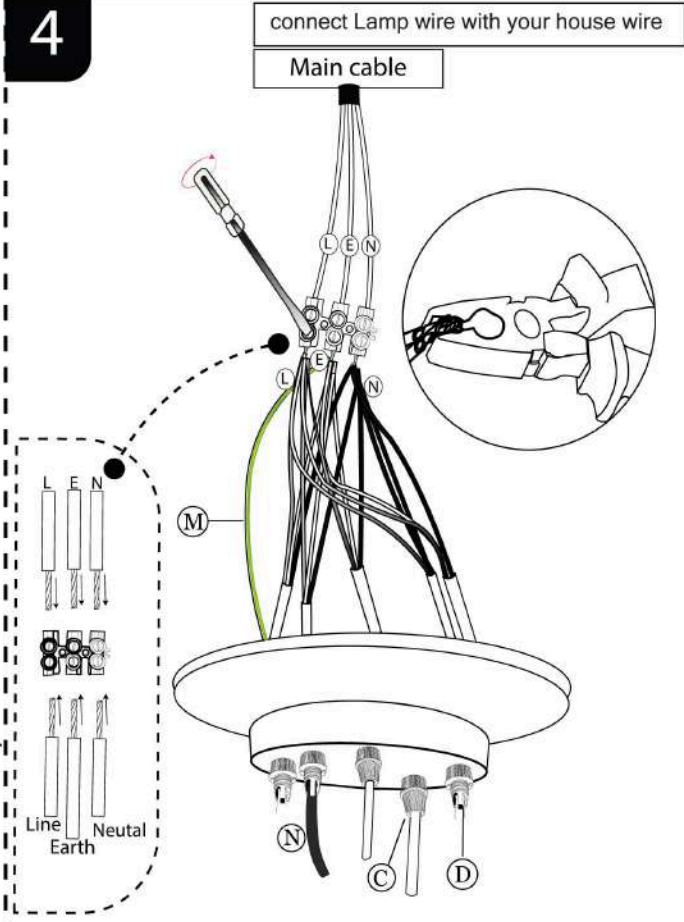
Cord Grip and Thread Connect

3



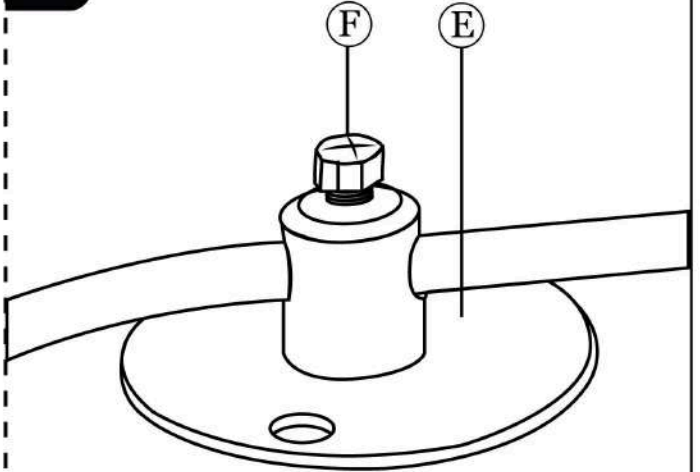
Cord Grip Thread and Ceiling Rose Connect

4



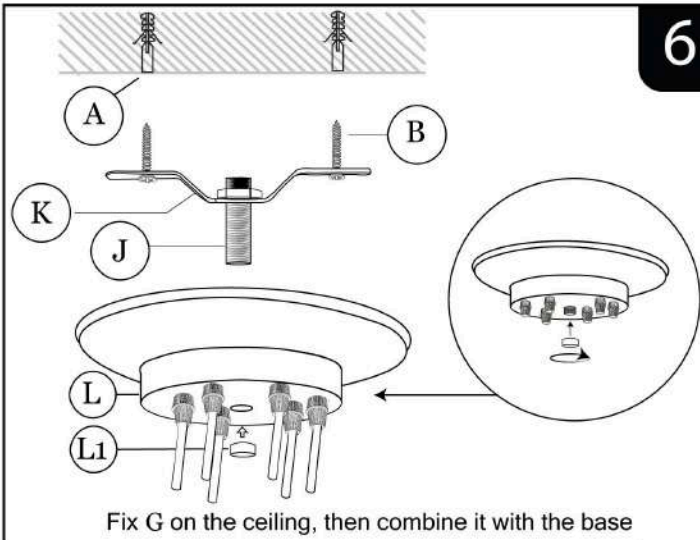
Make Lamp wire go through the base and fix it with C

5



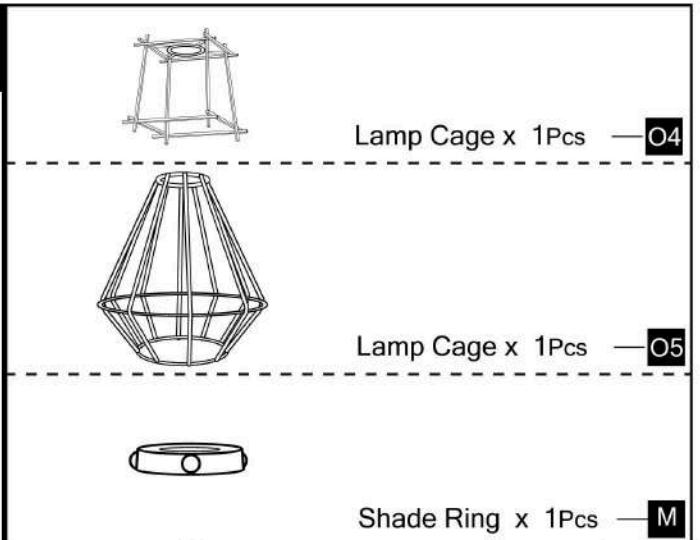
Fix E and Lamp wire by F

LEDSONE'S VINTAGE METAL SPIDER LAMP ASSEMBLING INSTRUCTION



6

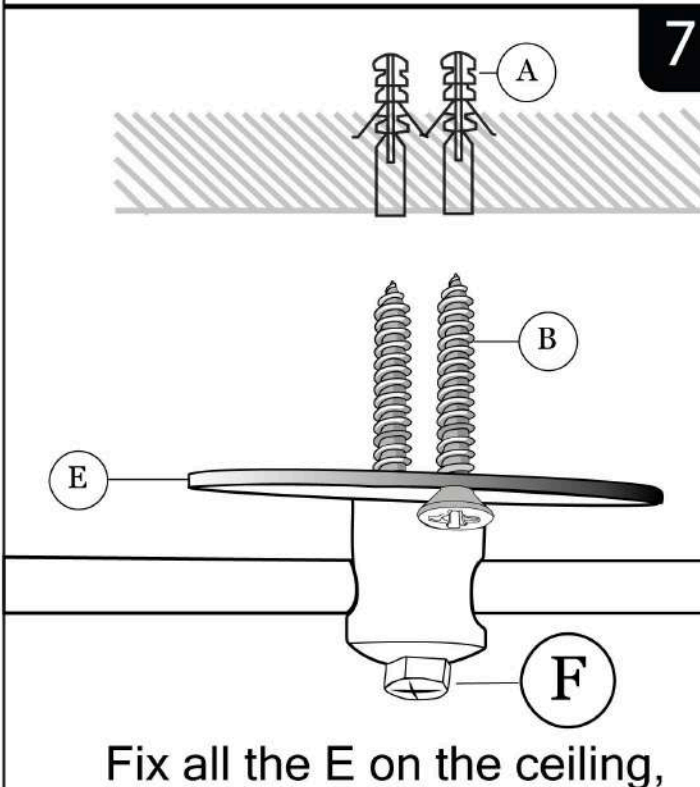
Fix G on the ceiling, then combine it with the base



Lamp Cage x 1Pcs — **O4**

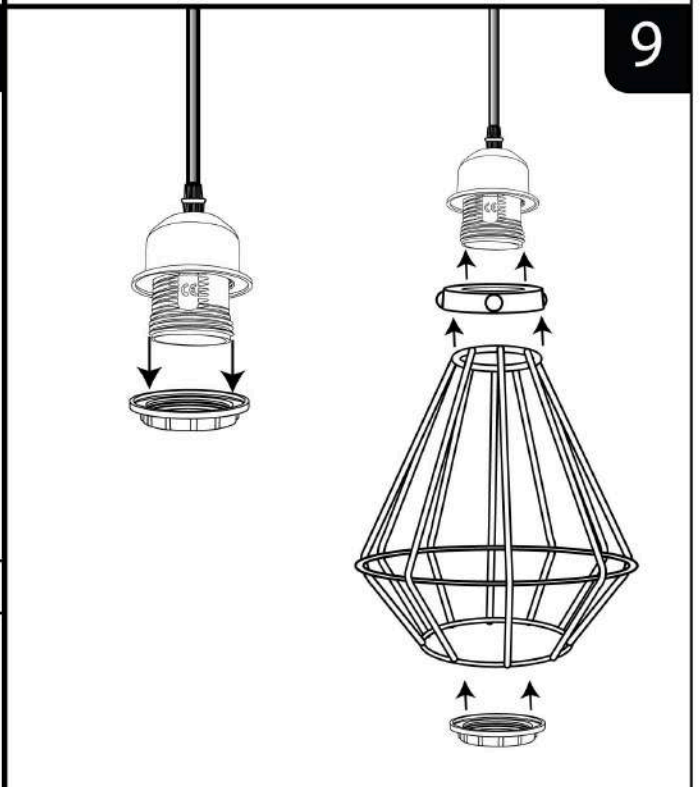
Lamp Cage x 1Pcs — **O5**

Shade Ring x 1Pcs — **M**

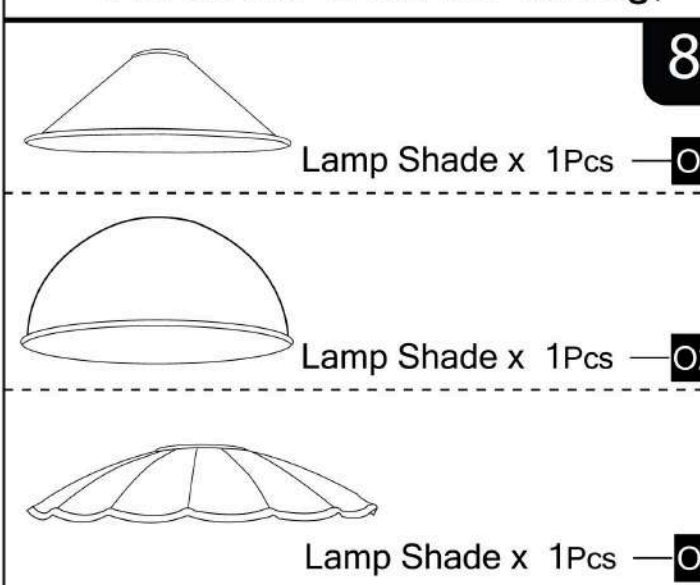


7

Fix all the E on the ceiling,



9



8

Lamp Shade x 1Pcs — **O1**

Lamp Shade x 1Pcs — **O2**

Lamp Shade x 1Pcs — **O3**



Installation finished