

## RESIDENTIAL WALLPACK

Catalog No. : AXS12-3CCT-PC-WH

Type : Wallpack

Project Name :

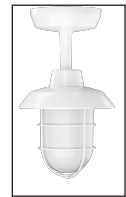
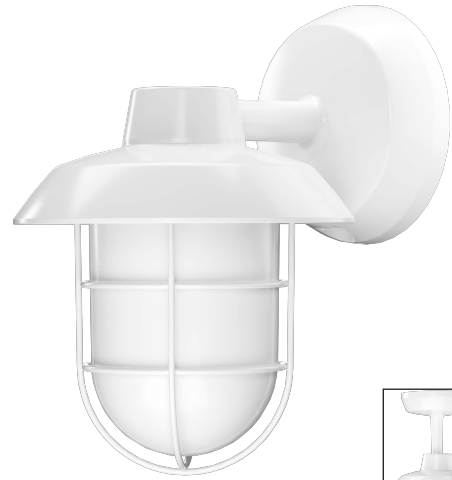
Location :

Qty :

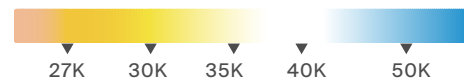
Date :



PROBRITE's AXIS 12-Watt pendant light, is a high efficiency LED wallpack and pendant light, is perfect for patios, decks, porches, and shops, and makes it a great choice for residential lighting and commercial lighting. This LED comes with 3 CCT (color) selectable (Remote control provided with the light fixture) to customize the lighting experience and is made of durable metals and commercial grade powder coating finish makes housing durable and weather resistant proof. The LED fixture can be mount on wall or eave as well with easy of installation option.



PENDANT MOUNT OPTION



WARM-TO-COOL SELECTABLE

### PRODUCT PERFORMANCE AT A GLANCE

SYSTEM WATTAGE	LUMENS	LPW	CRI	REPLACES (Incandescent)
12W	1000 lm	83 lm/w	>80	75W

### COLOR ADJUSTING REMOTE



### DUSK-TO-DAWN

### HOUSING

Die cast aluminum housing with corrosion resistant powder-coated paint finish. It is designed to ensure cooling by natural convection and passive airflow, to let driver perform efficiently

### OPTICS

Frosted glare-free polycarbonate lens, to target lumens evenly and provide superior lighting experience.

### FINISH

Fade, weather, and abrasion resistant, electrostatically applied, thermally cured, triglycidal isocyanurate (TGIC) textured polyester powdercoat white paint finish.

### IP RATING & LISTINGS

LED light engine is weather proof, energy star, UL Listed, wet location.

### MOUNTING

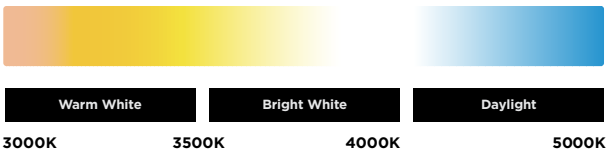
It can be mount on wall or eave with plate attached to any junction box.

### WARRANTY

Covered by a 5-year limited warranty. See [probrite.com/warranty](http://probrite.com/warranty) for details.

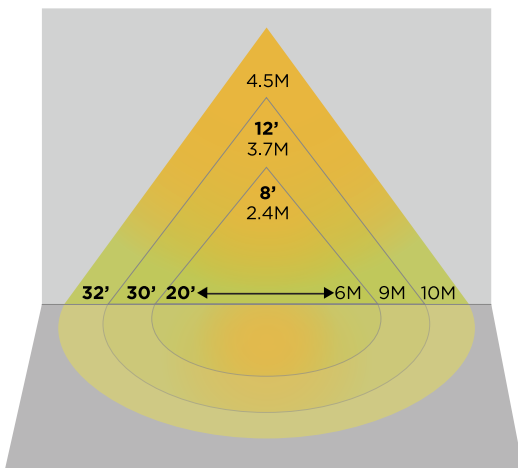
## PRODUCT SPECIFICATION

Product Dimensions	: 6.61" x 7.98" x 9.92"
Weight	: 1.85 lbs
Lumens	: 10000
LED Wattage	: 12W
Efficacy	: 83
CRI	: >80
Replaces (Incandescent)	: 75W
Mounting	: Wall Mount, Eave Mount
Frequency	: 50-60Hz
THD(Total Harmonic Distortion)	: <20%
PF(Power Factor)	: >0.9
Ambient Operating Temperature	: (-30)-40°C
Input Voltage	: 120V
LED Chip	: -
Photocell	: Yes
Driver	: Non-dimming
Standard Lifetime	: 50,000 hrs
Standard Warranty	: 5 Years
Water Proofing Grade	: Suitable for wet location
CCT	: 4000K Bright White Light
Certifications	: Energy Star, FCC Certified, UL Certified

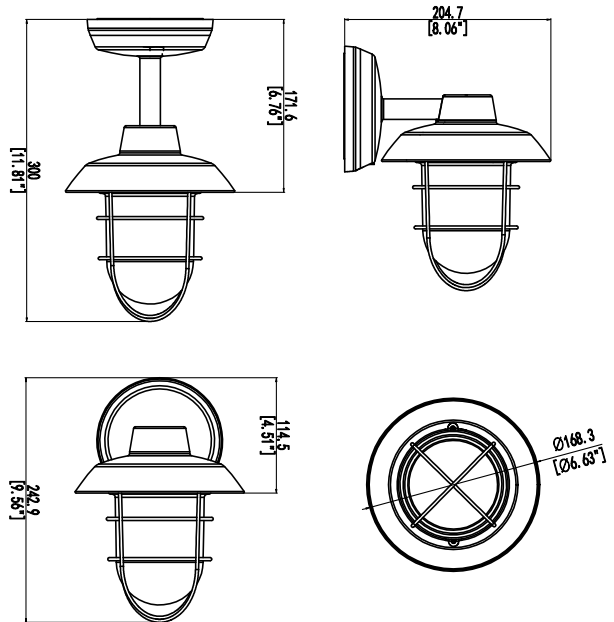


**SUGGESTED MOUNTING HEIGHT:**  
6-12 FT.(1.8-3.7 M)

### 3D PHOTOMETRIC VIEW



## PRODUCT LINE DRAWING



## APPLICATION

**SUITABLE FOR MULTIPLE APPLICATIONS**  
 SECURITY • GENERAL LIGHTING • LANDSCAPE

