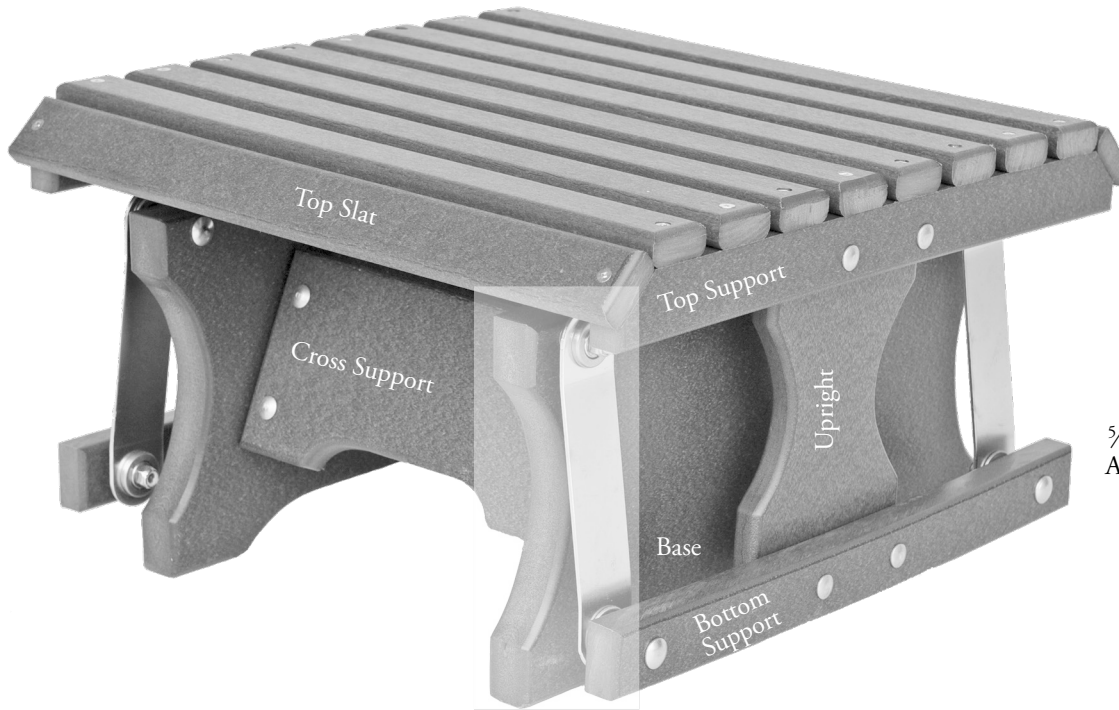
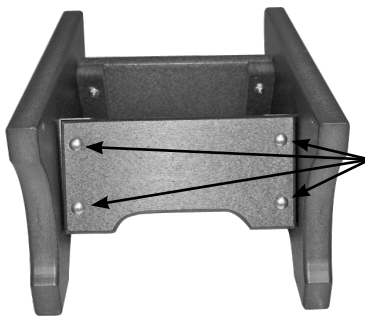
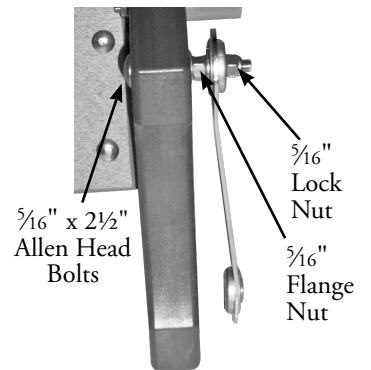


# Assembly Directions for Gliding Footstool

#PVGF2100



*Glider Bracket  
Diagram*



**STEP #1 -** Fasten the Cross Supports to the Base using 8 - 1/4" x 2" Allen Head Bolts and 8 - 1/4" Flange Nuts.

1/4" x 2" Allen Head Bolts

**PACKAGE CONTENTS**

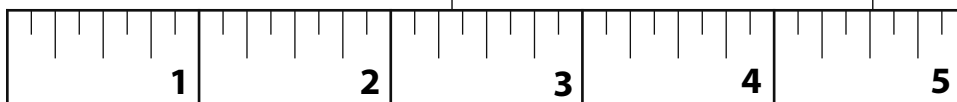
- 1 Top
- 2 Bases
- 2 Cross Supports
- 2 Uprights
- 2 Bottom Supports
- 4 Stops
- 1 Hardware Package
- 1 Glider Bracket Package

**HARDWARE PACKAGE**

- 4 5/16" x 2 1/2" Allen Head Bolts
- 4 5/16" x 2" Allen Head Bolts
- 16 1/4" x 2" Allen Head Bolts
- 4 1/4" x 3" Allen Head Bolts
- 8 5/16" Lock Nuts
- 8 5/16" Flange Nuts
- 20 1/4" Flange Nuts
- 4 5/16" Acorn Nuts
- 4 Glider Brackets
- 1 Allen Wrench

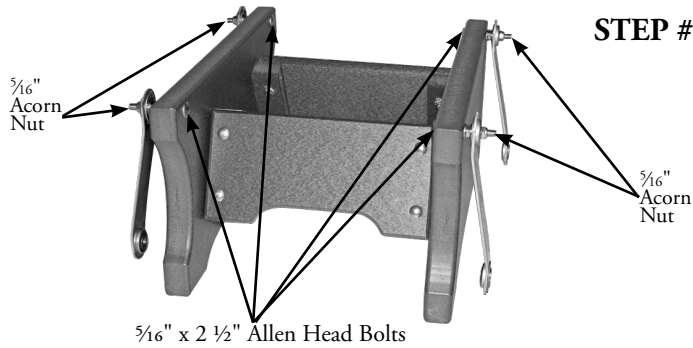
**TOOLS NEEDED:**

- Hammer
- 1/2" Wrench
- 7/16" Wrench
- Allen Wrench (Included)

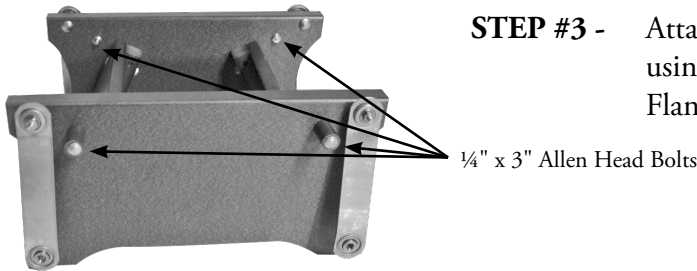


Use to measure bolts

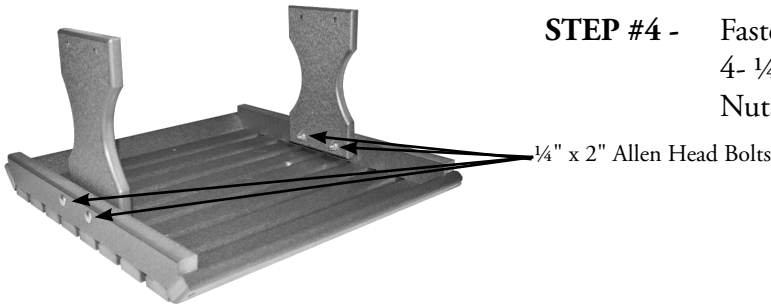




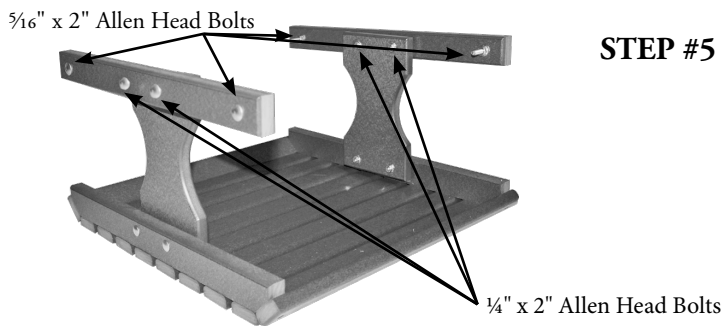
**STEP #2 -** Install the 4- 5/16" x 2 1/2" Allen Head Bolts into the pre-drilled holes and fasten the Glider Brackets (see Glider Bracket Diagram). Second, install 4- 5/16" Acorn Nuts on the ends of the 5/16" x 2-1/2" Bolts.



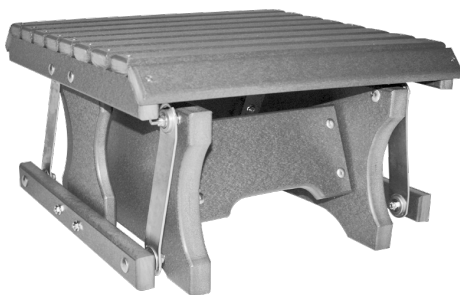
**STEP #3 -** Attach the Glider Stops to the Glider Base using 4- 1/4" x 3" Allen Head Bolts and 4- 1/4" Flange Nuts.



**STEP #4 -** Fasten the Uprights to the Top using 4- 1/4" x 2" Allen Head Bolts and 4- 1/4" Flange Nuts.



**STEP #5 -** Fasten the Bottom Supports to the Uprights using 4- 1/4" x 2" Allen Head Bolts and 4- 1/4" Flange Nuts. Second install the 4- 5/16" x 2" Allen Head Bolts into the pre-drilled holes and tighten using 4- 5/16" Flange Nuts.



**STEP #6 -** Attach the Top Assembly to the Glider Brackets and secure with 4- 5/16" Lock Nuts. (See Glider Bracket Diagram.)