

These instructions describe the correct operating method to ensure prolonged service life. Please read instructions before use and store away for future reference.

INTRODUCTION

Using LED (Light Emitting Diode) technology and powered by the sun, this solar light is ideal for highlighting garden contours, entrance areas, pathways and driveways.

During the day, the solar panels on top of the light charge the battery inside. At dusk, the solar light will turn on automatically using the stored energy from the sun.

Working times are based on full battery charge

If the battery is fully charged, the working time should reach 8 hours and up to 10 lumens.

If the battery is not fully charged, the working time and brightness will be reduced.

POSITIONING YOUR SOLAR LIGHT

Your solar light must be located in an area where the solar panel will receive a maximum amount of full, direct sunlight every day.

Solar light should be exposed to at least 8 hours of direct sunlight each day to fully charge the battery inside.

Shady locations will not allow the battery to charge fully and will reduce the hours of night time light.

The performance of your solar light is dependent on your geographical location, weather conditions and seasonal lighting availability.

On cloudy days and during winter, your solar light will not receive as much direct sunlight, resulting in reduced brightness and reduced operating time.

ASSEMBLY

This pack should come with the following.

NB: Some components may come pre-assembled

- 1 X solar light head (Part A)
- 4 X pole pieces (Part B)
- 3 X pole attachments (Parts C)
- 1 X mounting base (Part D)
- 1 X ground stake (Part E)
- 1 X pillar pole attachment (Part F)
- 3 X fastening screws (Part G)
- 3 X plastic anchors (Part H)

This solar light comes complete with mounting attachments

for 3 installation options.

See installation instructions

FIRST TIME USE

The battery in your solar light must be fully charged before first time use.

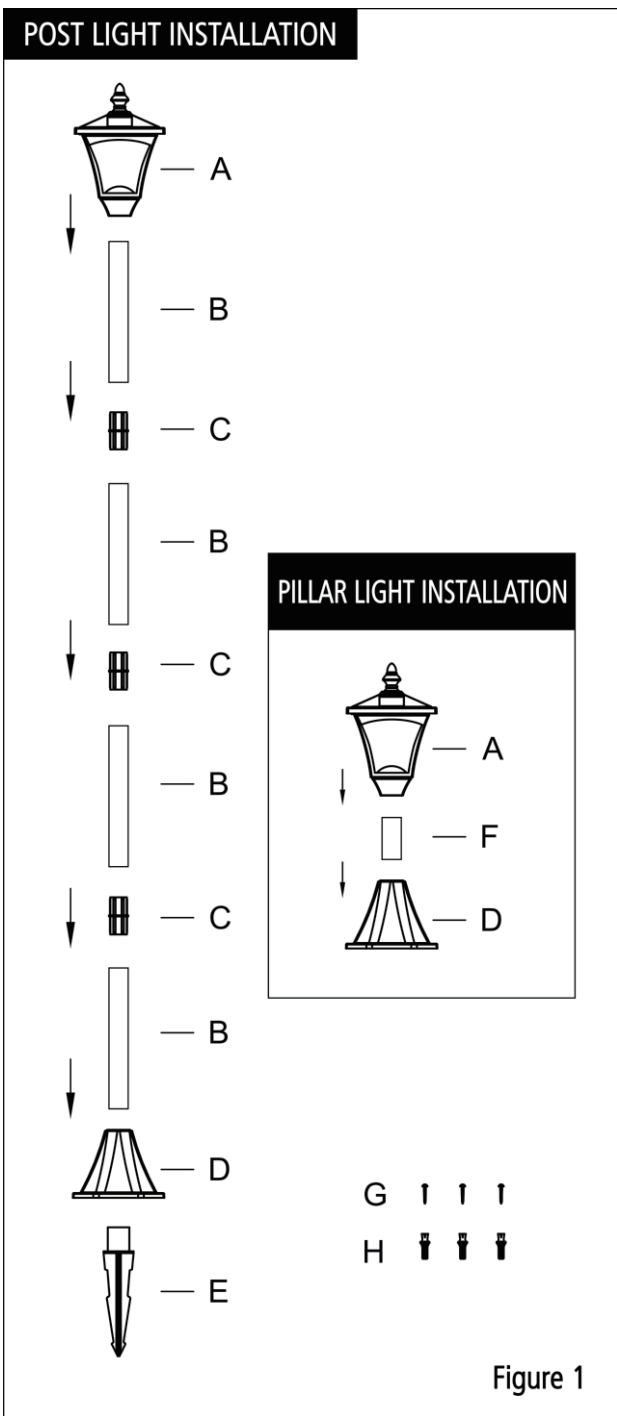
Step 1: Place solar light in full direct sunlight for 36-48 hours before first time use.

Light will achieve optimum light output after 4 days exposure to full sunlight, enabling the battery inside to fully charge.

ASSEMBLY AND INSTALLATION

The 1.2 metres postlight comes complete with attachments for different mounting options, including:

1. Postlight - hard surface mounting
2. Postlight - soft ground installation
3. Pillar mounted solar light



POSTLIGHT- ASSEMBLY

- Step 1 : Assemble the pole by connecting Part B between the 3 pole sections with pole attachments (Parts C). Secure the pole pieces with the pole attachments together
- Step 2 : Insert the assembled pole into the opening at the top of the mounting base (D)
- Step 3 : Attach assembled light head over the top of the assembled pole to complete installation

POSTLIGHT-HARD SURFACE INSTALLATION

- Step 1 : Remove mounting base (D) from the bottom of the assembled pole and gently place light down
- Step 2 : Place mounting base over the surface where you wish to install you light and use a pencil to place marks through the 3 holes
- Step 3 : Remove the base from position and drill a hole at the 3 points marked, large enough to fit the plastic anchors (H) inside.

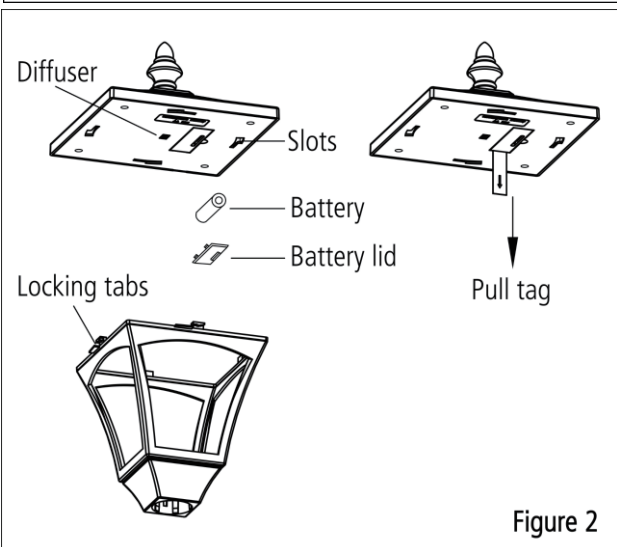
NB: before drilling holes, it is recommended that you first check the light effect at night to ensure you are happy with the position you have chosen for installation.

Be sure to also check that the location will receive direct sunlight each day to charge the battery

- Step 4 : Place plastic anchors (H) into each hole
- Step 5 : Re-position the mounting base (D) onto the surface, aligning the holes with the plastic anchors
- Step 6 : Using a screwdriver, insert screws (G) through the 3 holes on the mounting base and into the plastic anchors. Tighten screws to secure the mounting base onto the surface
- Step 7 : To complete installation, re-attach the assembled solar light into the opening at the top of the mounting base (D)

POST LIGHT - SOFT GROUND INSTALLATION

- Step 1 : Locate an area where you wish to place the light and insert stake (E) into the ground. Insert stake leaving approximately 10cm length above the ground's surface. If the ground is hard, soften by soaking area with water first or gently tap the stake into the ground using a rubber mallet
- Step 2 : Remove mounting base (D) from the bottom of the assembled pole and gently place light down
- Step 3 : Attach mounting base (D) over the centre of the installed ground stake (E)
- Step 4 : To complete installation, re-attach the assembled solar light into the opening at the top of the mounting base (D)



PILLAR LIGHT - ASSEMBLY AND INSTALLATION

Step 1 : Place mounting base (D) over the surface where you wish to install your light and use a pencil to place marks through the 3 holes

Step 2 : Remove the base from position and drill a hole at the 3 points marked, large enough to fit the plastic anchors (H) inside.

Step 3 : Place plastic anchors (H) into each hole

Step 4 : Re-position the mounting base (D) onto the surface, aligning the holes with the plastic anchors

Step 5 : Using a screwdriver, insert screws (G) through the 3 holes on the mounting base and into the plastic anchors.

Tighten screws to secure the mounting base onto the surface

Step 6 : Insert the small pillar pole attachment (F) into the opening at the top of the mounting base (D)

Step 7 : Attach assembled light head over the top of the small pillar pole attachment (F)

NB: For all installations, if mounting onto a timber surface, plastic anchors are not required. Simply drill the screws directly into the surface through the holes on the mounting base

OPERATION

After you have fully charged the battery, following the steps under the FIRST TIME USE section, the solar light will automatically switch on at dusk and charge during daylight hours

NB: If the battery is not fully charged the working times and brightness will be reduced

The performance of your solar light is dependent on your geographical location, weather conditions and seasonal lighting availability.

On cloudy days and during winter, your solar light will not receive as much direct sunlight, resulting in reduced brightness and reduced operating time

BATTERY REPLACEMENT (Figure 2)

Step 1 : Detach light cover from the top of the lens section by twisting it in an anti-clockwise direction and gently lifting off

Step 2 : Lift the lid and replace old battery with a new rechargeable battery. For optimum performance, use a rechargeable 600mAh AA Nickel Metal hydride battery.

IMPORTANT: When the battery life is exhausted, the battery must be recycled or disposed of properly.

DO NOT DISPOSE OF BATTERY IN FIRE

Step 3 : Replace battery lid, and replace light cover back onto the lens sections. Full charge the new battery by repeating the steps under the "FIRST TIME USE" section

TROUBLESHOOTING

If your solar light does not automatically turn on at night, it may be caused by one of the following conditions:

1. Battery is not fully charged or need replacing
2. Solar light might be too close to another night time light source, including another solar light
3. The solar panels may be dirty, limiting their exposure to the sun and not allowing the battery to fully charge. Note : This will shorten the life of the battery and may cause the light to malfunction. Clean solar panels regularly with a dampened cloth or paper towel
4. If your solar light only lights up for a few hours each night, the battery may not be receiving enough sunlight to fully charge.

CARE AND MAINTENANCE

To clean your solar light, wipe over using a soft damp cloth.

Ensure that you do not scratch the surface of the solar panels, and ensure that you keep the top surface of the solar panels free of dust and debris at all times.

To prolong the life of your solar garden light and reduce the risk of corrosion, install away from salty, corrosive or highly fertilised areas. If you wish to store your light indoors for more than 2 or 3 days, it is important that it is positioned in an area where it can receive some sunlight each day for the battery to maintain a charge. It is not recommended that your light is stored indoors for a prolonged period while the battery is installed