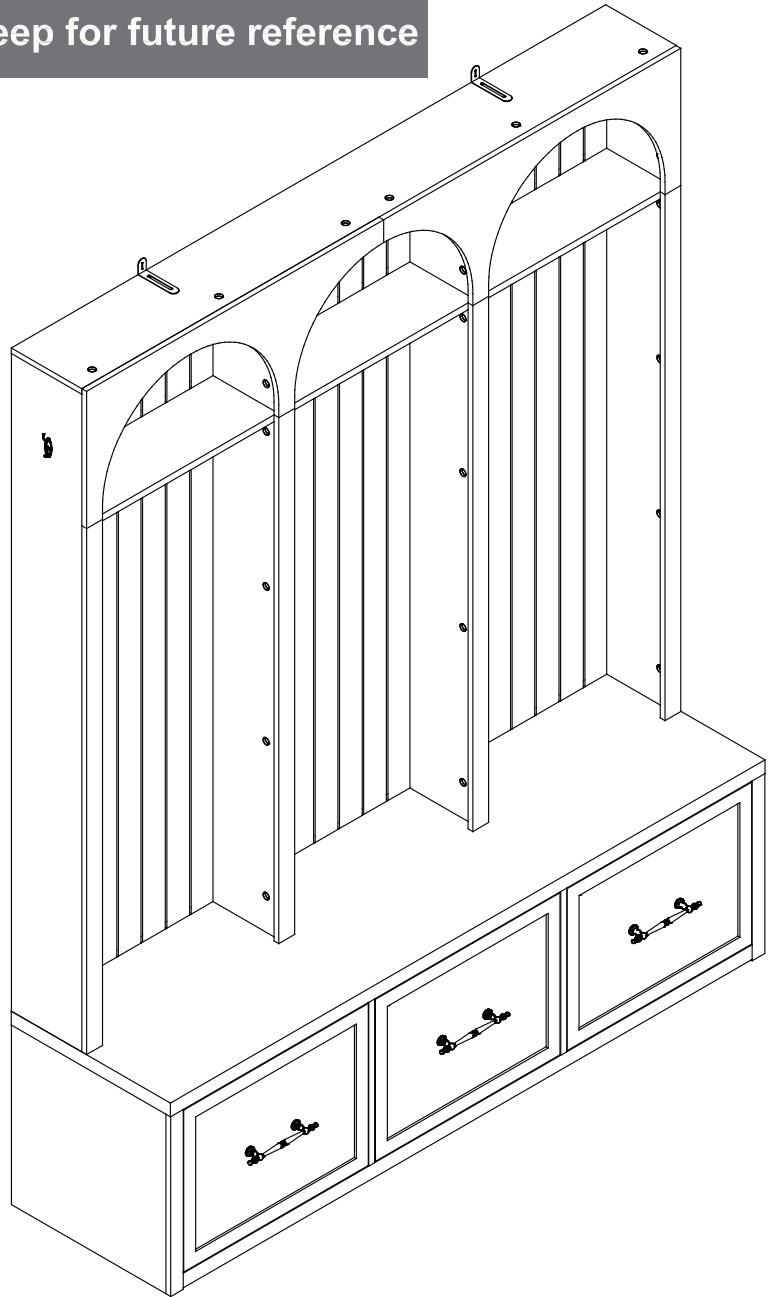


# Hall Tree

Assembly Instructions - Please keep for future reference



## Dimensions

Width- 59.05inch

Depth- 15.75inch

Height- 74.8inch



## WARNING



This product is NOT a Clothing Storage Unit (CSU).  
DO NOT use it for clothing storage.  
Improper use may cause furniture tipover.

Important – Please read these instructions fully before starting assembly



# Safety and Care Advice

**Important – Please read these instructions fully before starting assembly**

- Check you have all the components and tools listed on the following pages.
- Remove all fittings from the plastic bags and separate them into their groups.
- Keep children and animals away from the work area, small parts could choke if swallowed.
- Make sure you have enough space to layout the parts before starting.

- During assembly do not stand or put weight on the product, this could cause damage.
- Assemble the item as close to its final position (in the same room) as possible.
- Assemble on a soft level surface to avoid damaging the unit or your floor.
- Parts of the assembly will be easier with 2 people.



power drill is set on a low torque setting.

- To reduce the likelihood of damaging your product please ensure that your

## Care and maintenance

• Only clean using a damp cloth and mild detergent, do not use bleach or abrasive cleaners.

• From time to time check that there are no loose screws on this unit.

• This product should not be discarded with household waste. Take to your local authority waste disposal centre.

## Handy Hints

• Assemble all parts and bolts loosely during assembly, only once the product is complete should you fully tighten the bolts

• Regularly check and ensure That all bolts and fittings are tightened properly.

## **WARNING** In order to help prevent overturning – please follow these instructions

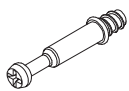


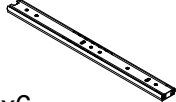
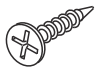
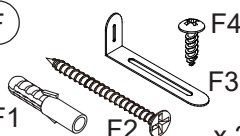

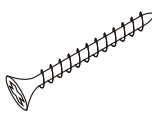
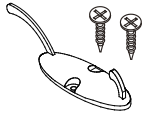
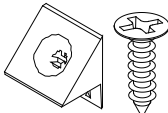
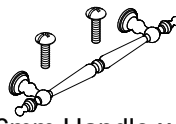

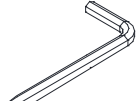
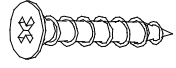


To help prevent product toppling over please follow the below steps:-

- Use the anti tip stap or wall fixing method provided (if applicable)
- Do not allow children to climb or hang on the furniture
- Do not open more than one drawer at a time
- Do not place heavy items in the top drawers
- Do not place heavy items on top of the furniture, unless the furniture has been designed for this purpose

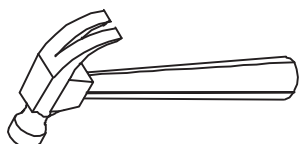
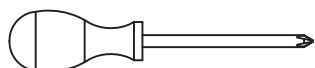
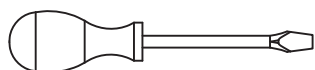
# Components - Fittings

Please check you have all the panels listed below

Note: The quantities below are the correct amount to complete the assembly. In some cases more fittings may be supplied than are required.

<p>(A) </p> <p>Cam Bolt x 108+2</p>	<p>(B) </p> <p>6*30mm Dowel x 69+2</p>	<p>(C) </p> <p>Cam lock x 108+2</p>	<p>(D) </p> <p>Slide x6</p>
<p>(E) </p> <p>3*12mm Screw x 24+2</p>	<p>(F) </p> <p>F1 F2 F3 F4 x 2set</p>	<p>(G) </p> <p>4*40mm Screw x 12+1</p>	<p>(H) </p> <p>4*30mm Screw x 12+1</p>
<p>(I) </p> <p>3.5*16mm Hook x 2set</p>	<p>(J) </p> <p>x 36set</p>	<p>(K) </p> <p>4*16mm Handle x 3set</p>	<p>(L) </p> <p>Light wood color x 28</p>
<p>(M) </p> <p>Allen key x 1</p>	<p>(N) </p> <p>4*25mm Screw x 4</p>	<p>(O) </p> <p>3.5*16mm Hook x 6set</p>	<p>(P) </p> <p>Perfect fit x 28</p>

## Tools required Not Included



Phillips screwdriver  
(medium & large)

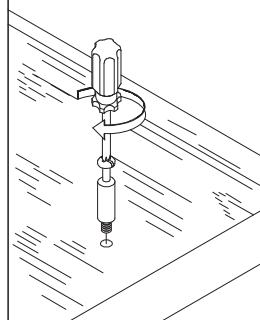
# Using Camlocks

## Step 1

Connect the male camlock as directed in the assembly instructions using a screwdriver.

1

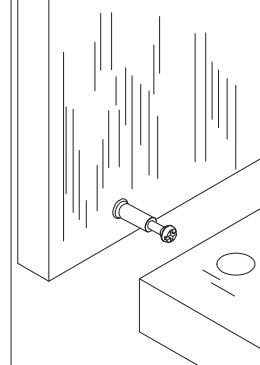
DO NOT OVER TIGHTEN.  
NE PAS SERRER EXCESSIVEMENT.



## Step 2

Push the male camlock into the entry hole.

2

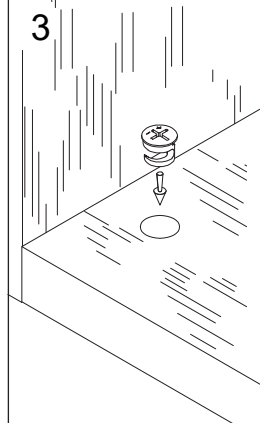


## Step 3

Insert the female camlock as shown in the instruction.

Note: ensure that the arrow on the top of the camlock points towards the entry hole for the male camlock.

3



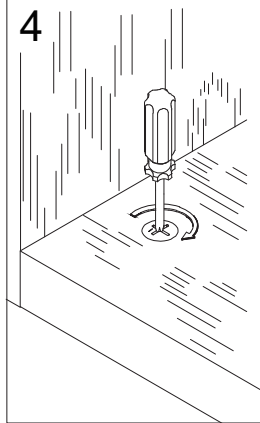
## Step 4

Turn the female camlock clockwise with a screwdriver.

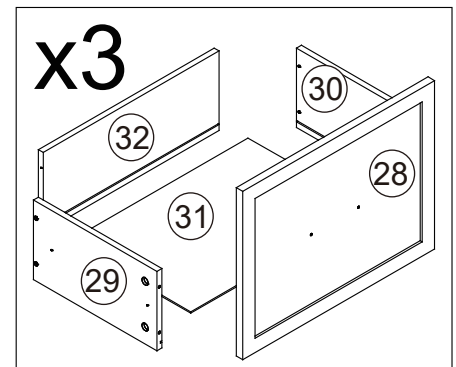
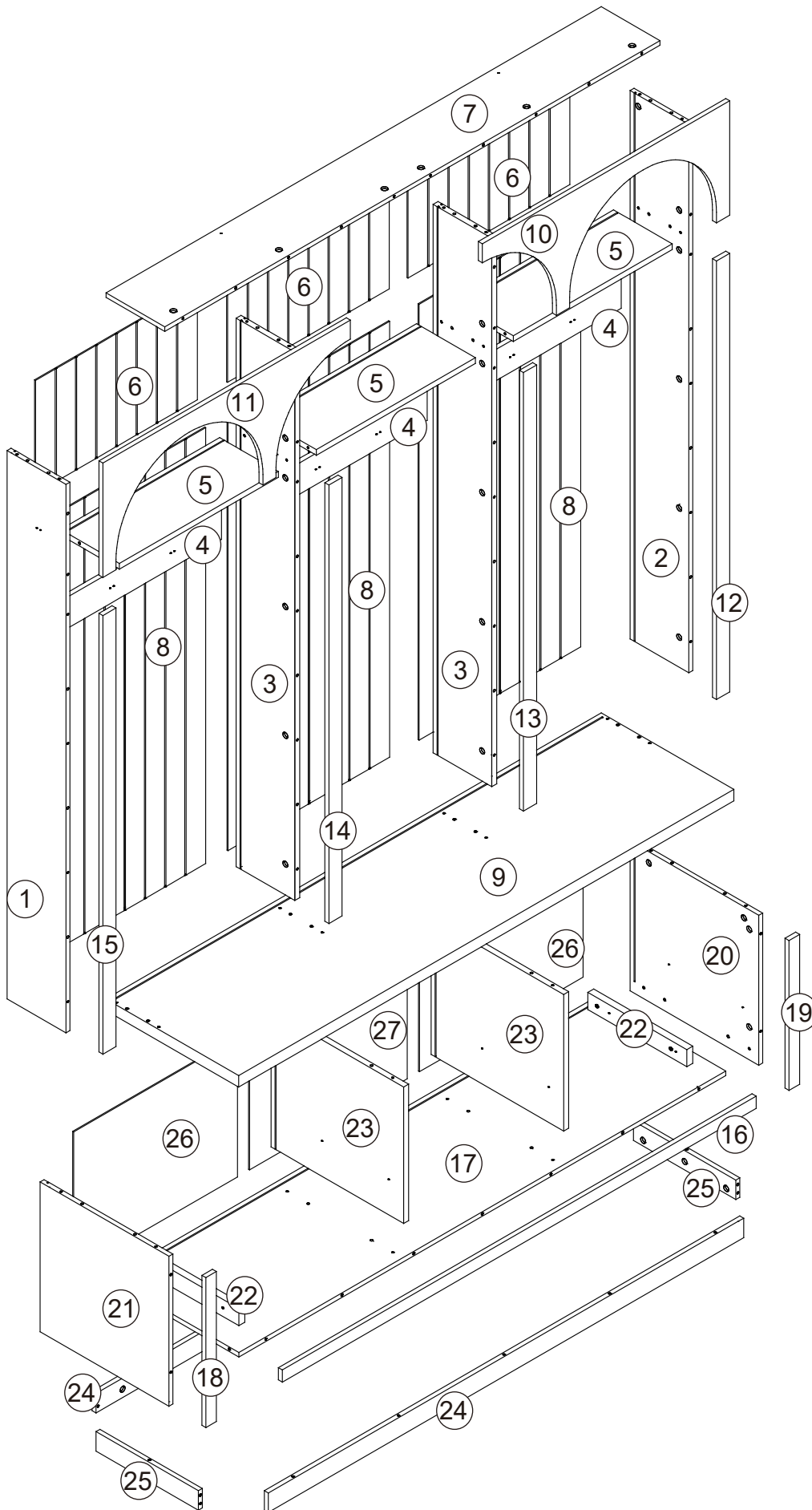
You should feel a click when the camlock is locked in place.

The joint is now secure.

4

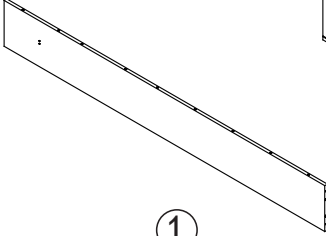
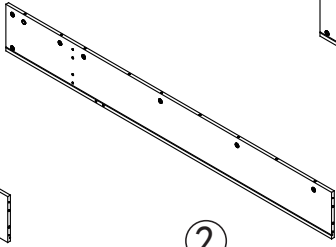
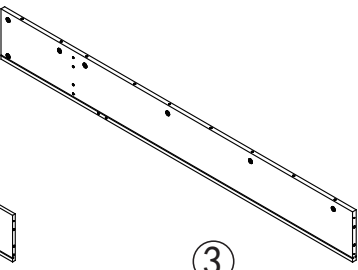
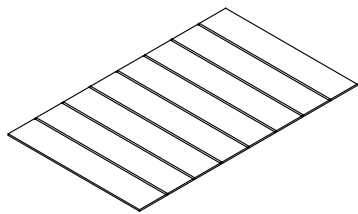
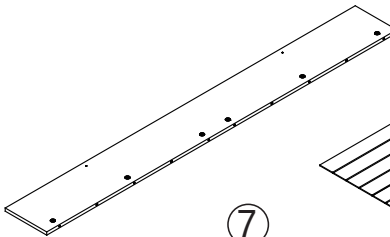
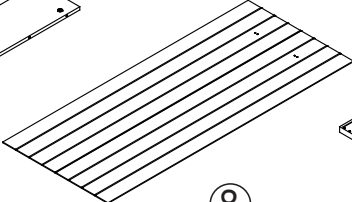
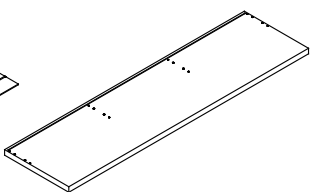
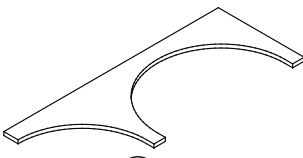
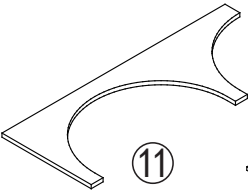
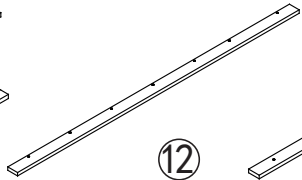
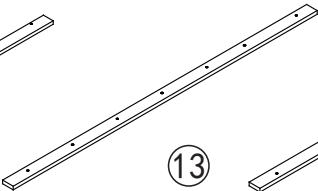
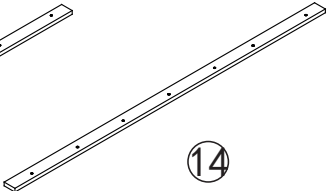
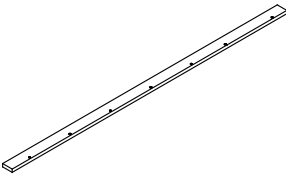
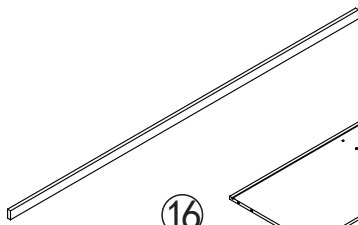
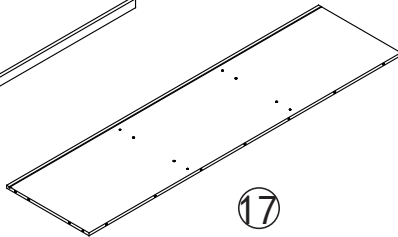
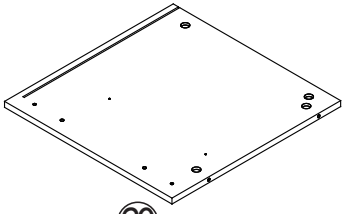
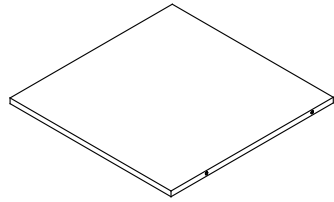


# Assembly Instructions

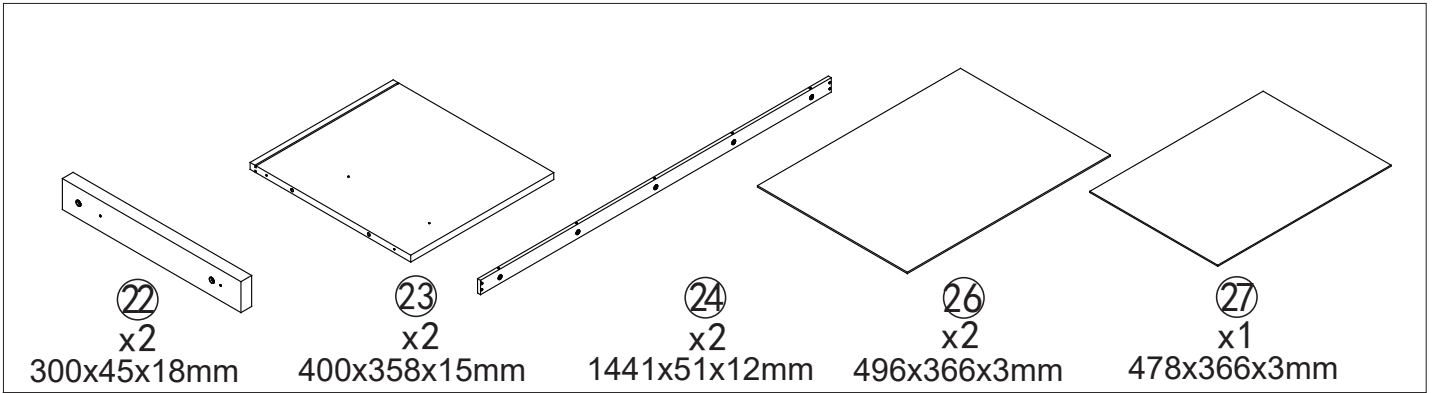


# PART LIST

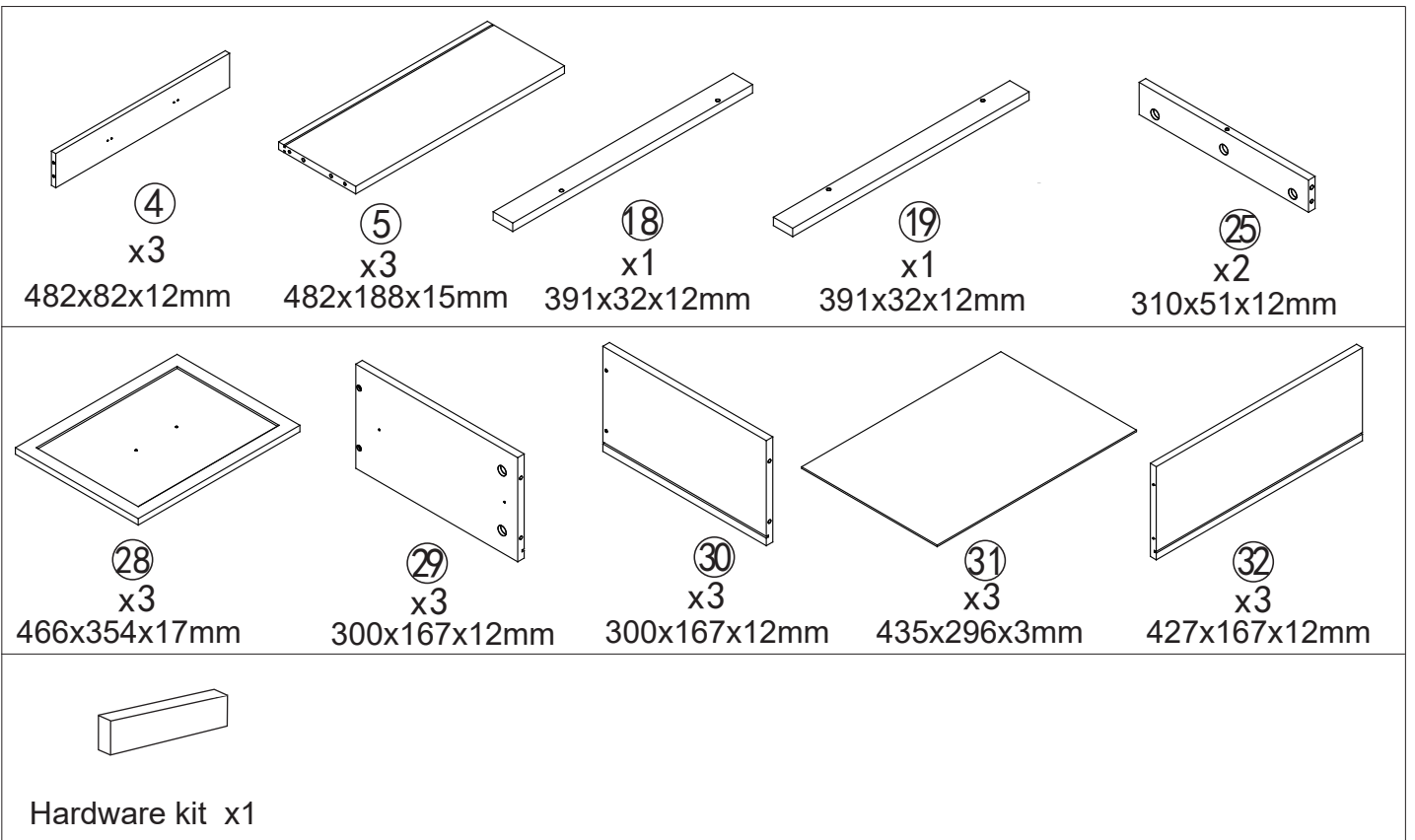
This product comes in 2 box.

 ① x1 1440x188x12mm	 ② x1 1440x188x12mm	 ③ x2 1440x188x15mm	 ⑥ x3 490x296x3mm	
 ⑦ x1 1501x188x12mm	 ⑧ x3 1144x490x3mm	 ⑨ x1 1501x400x30mm	 ⑩ x1 750x300x12mm	
 ⑪ x1 750x300x12mm	 ⑫ x1 1151x40x12mm	 ⑬ x1 1151x40x12mm	 ⑭ x1 1151x40x12mm	 ⑮ x1 1151x40x12mm
 ⑯ x1 1438x32x12mm	 ⑰ x1 1477x388x12mm	 ⑳ x1 391x388x12mm	 ㉑ x1 391x388x12mm	

# PART LIST

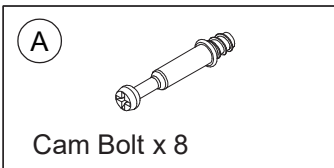
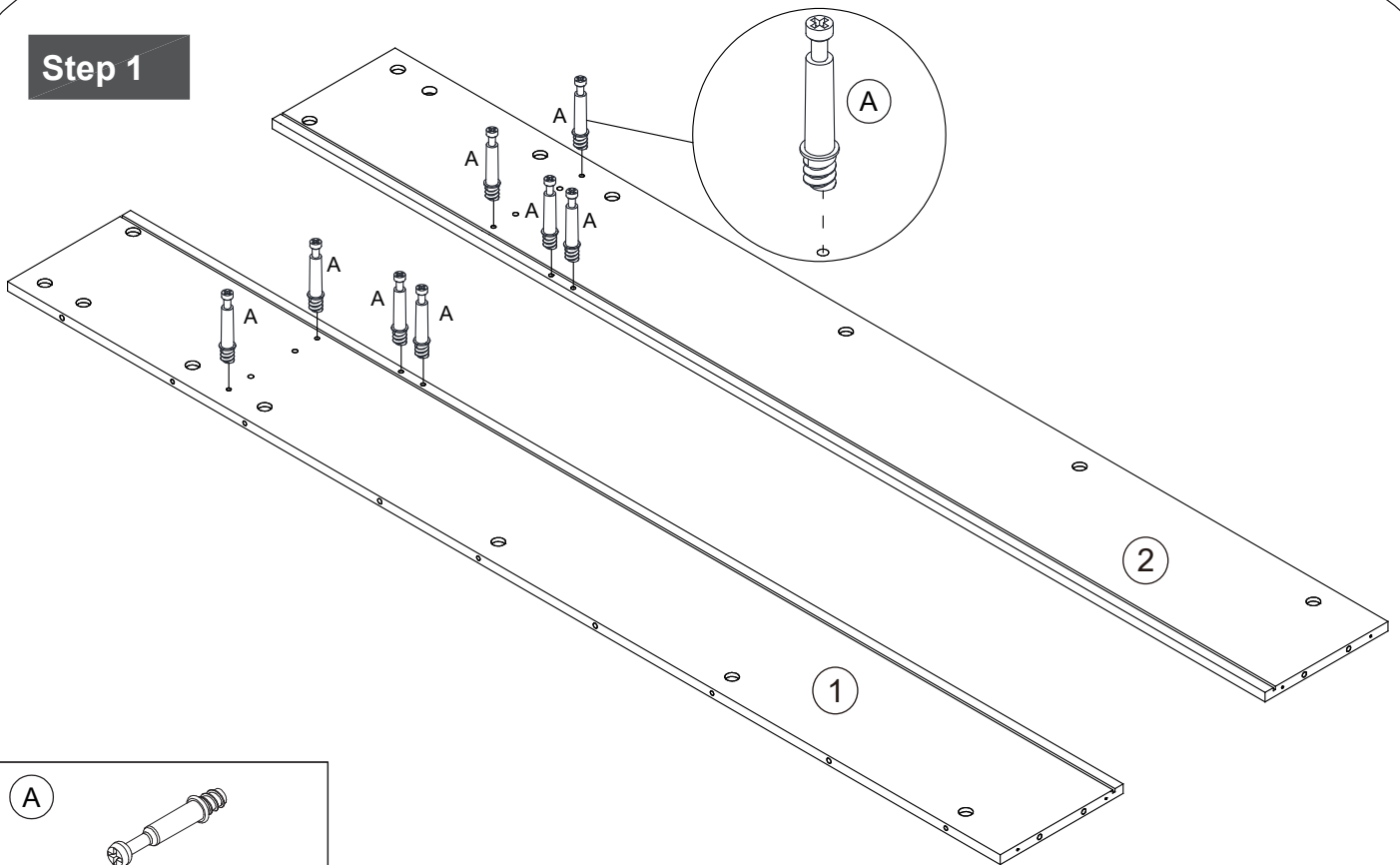


This product comes in 2 box.

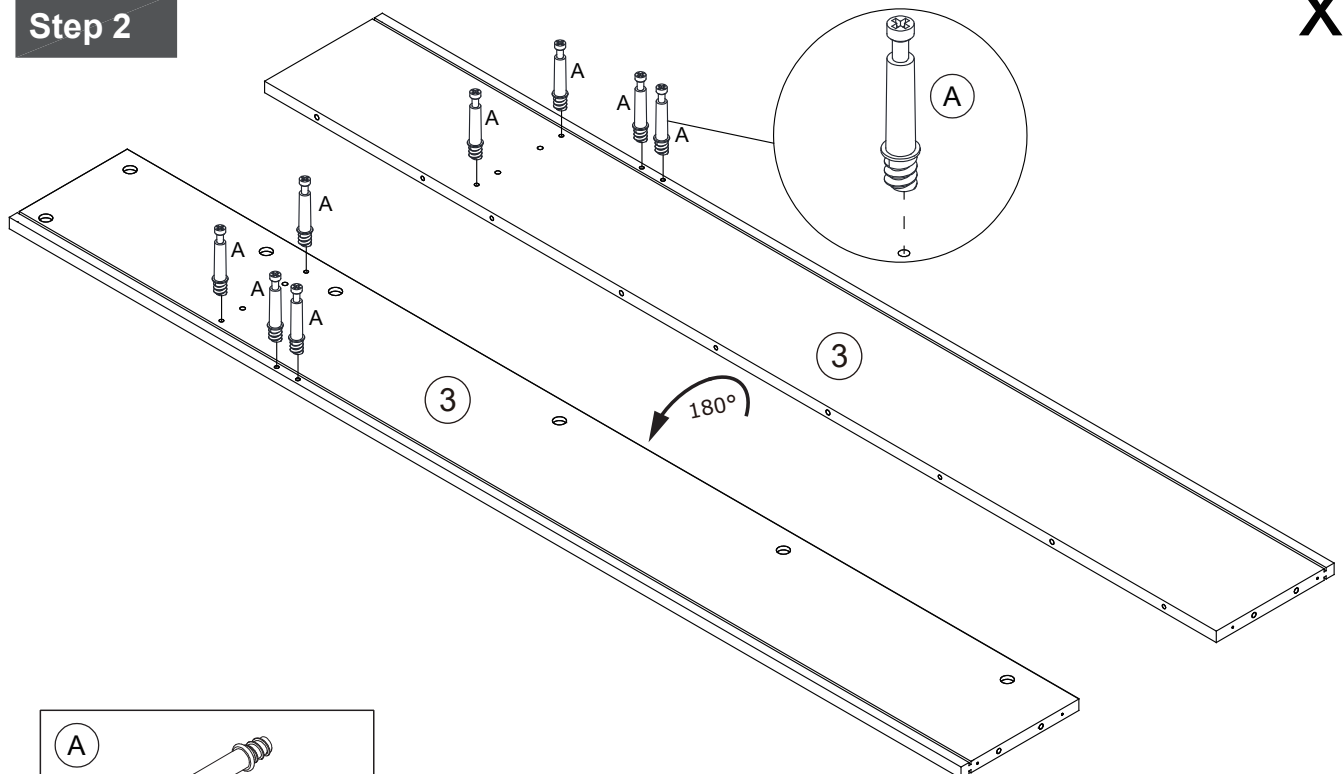


# Assembly Instructions

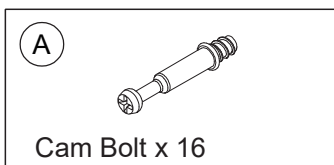
## Step 1



## Step 2

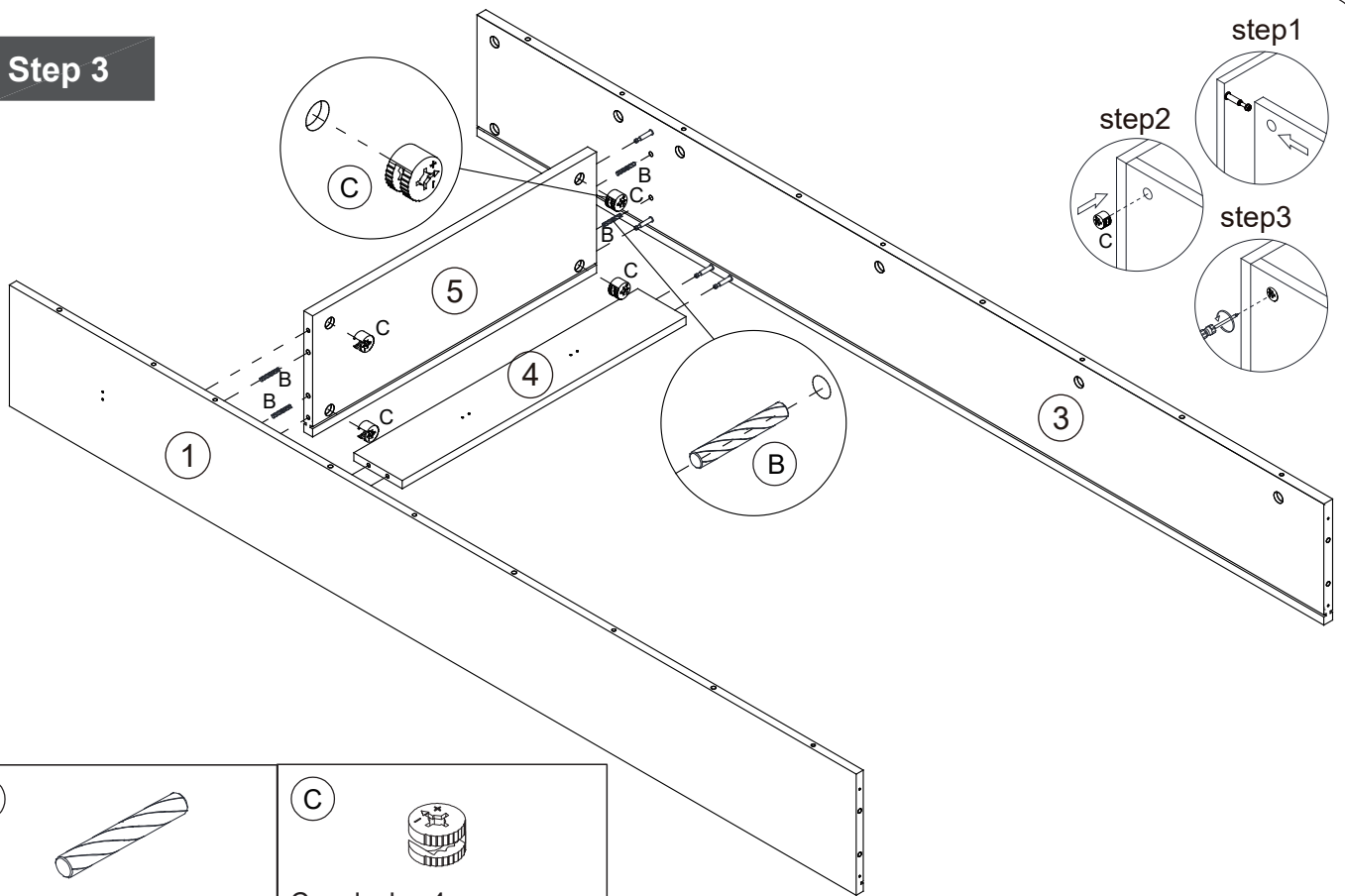



x2



# Assembly Instructions

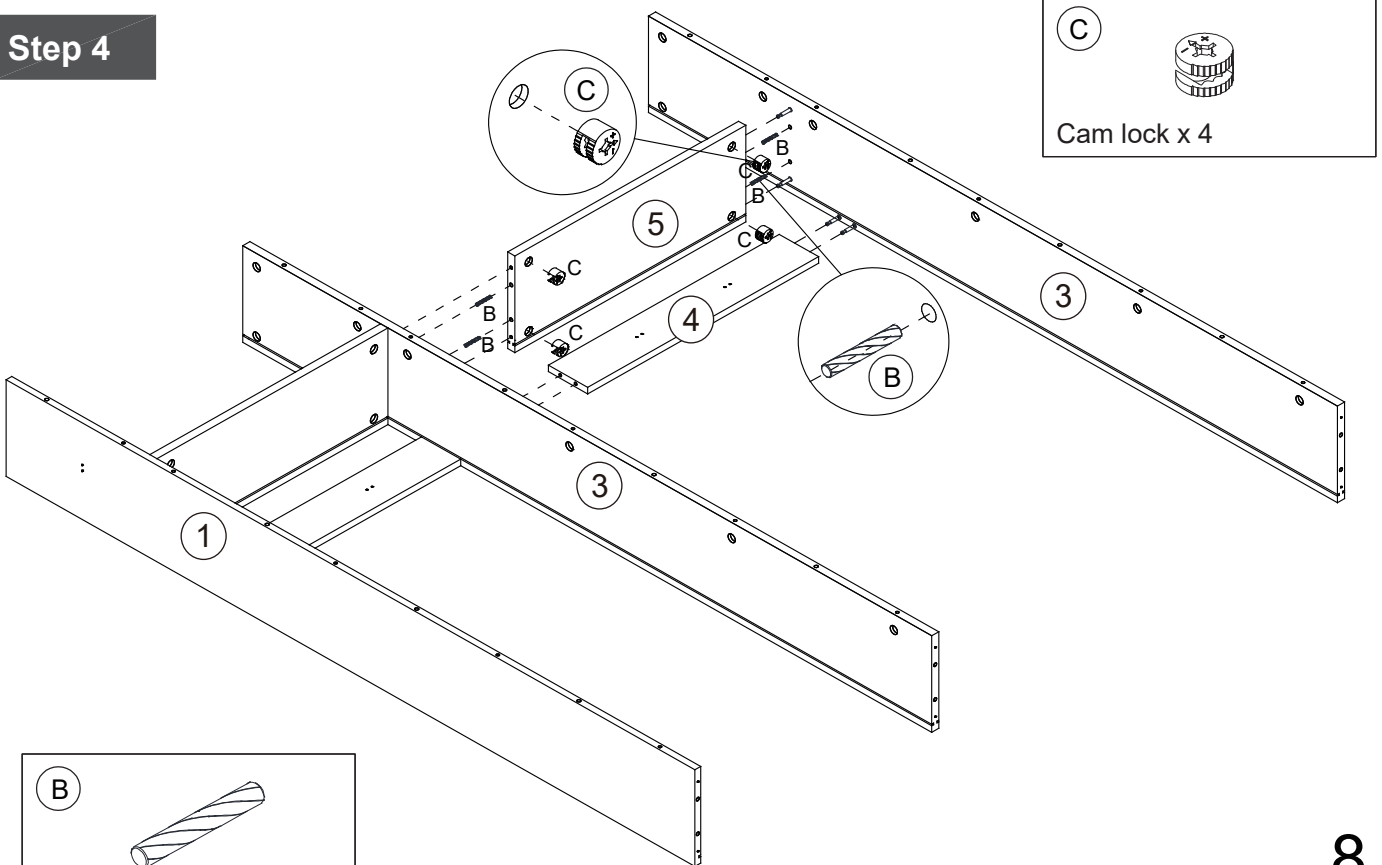
## Step 3




(B)  6\*30mm Dowel x 4

(C)  Cam lock x 4

## Step 4

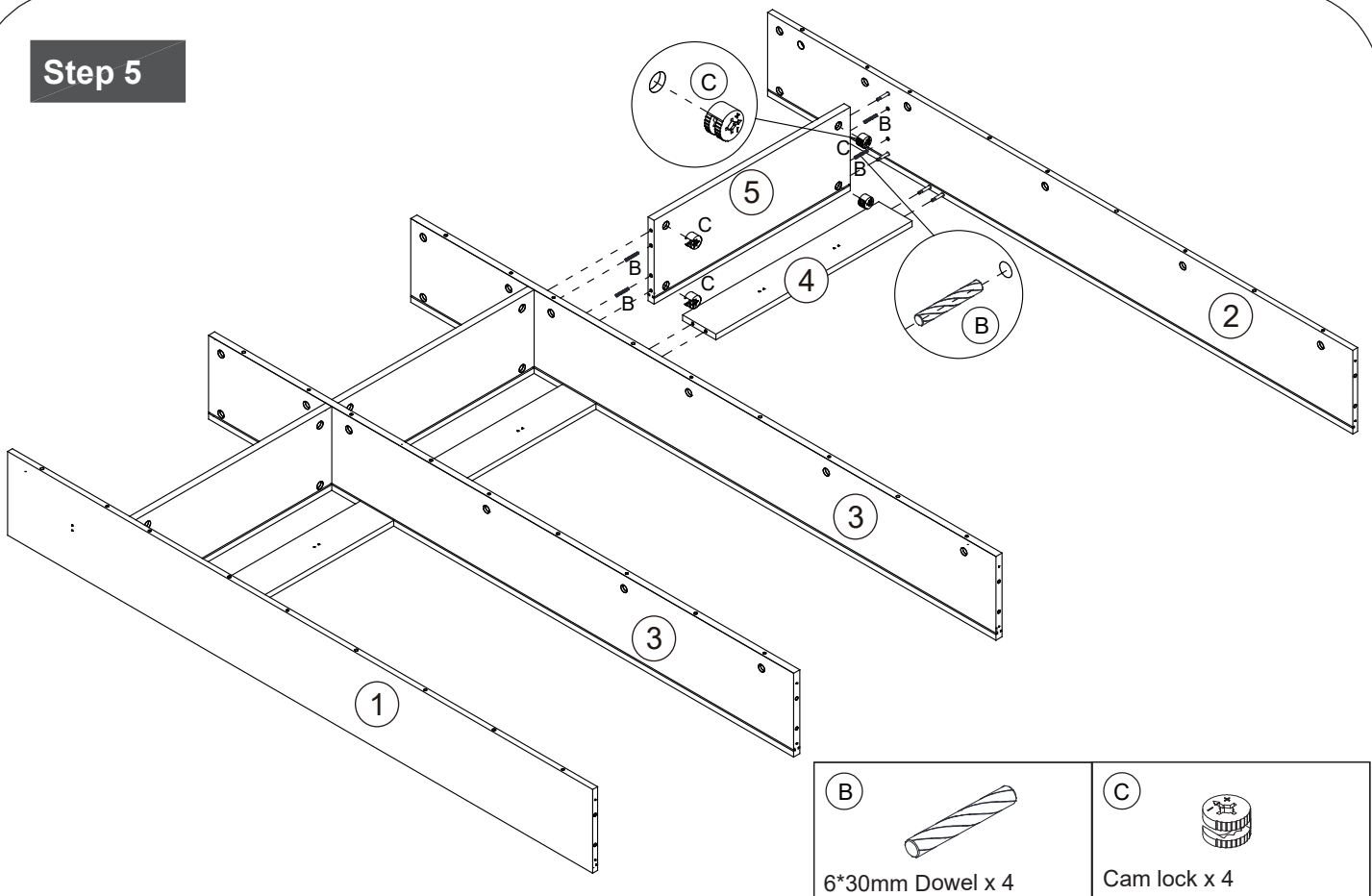


(B)  6\*30mm Dowel x 4

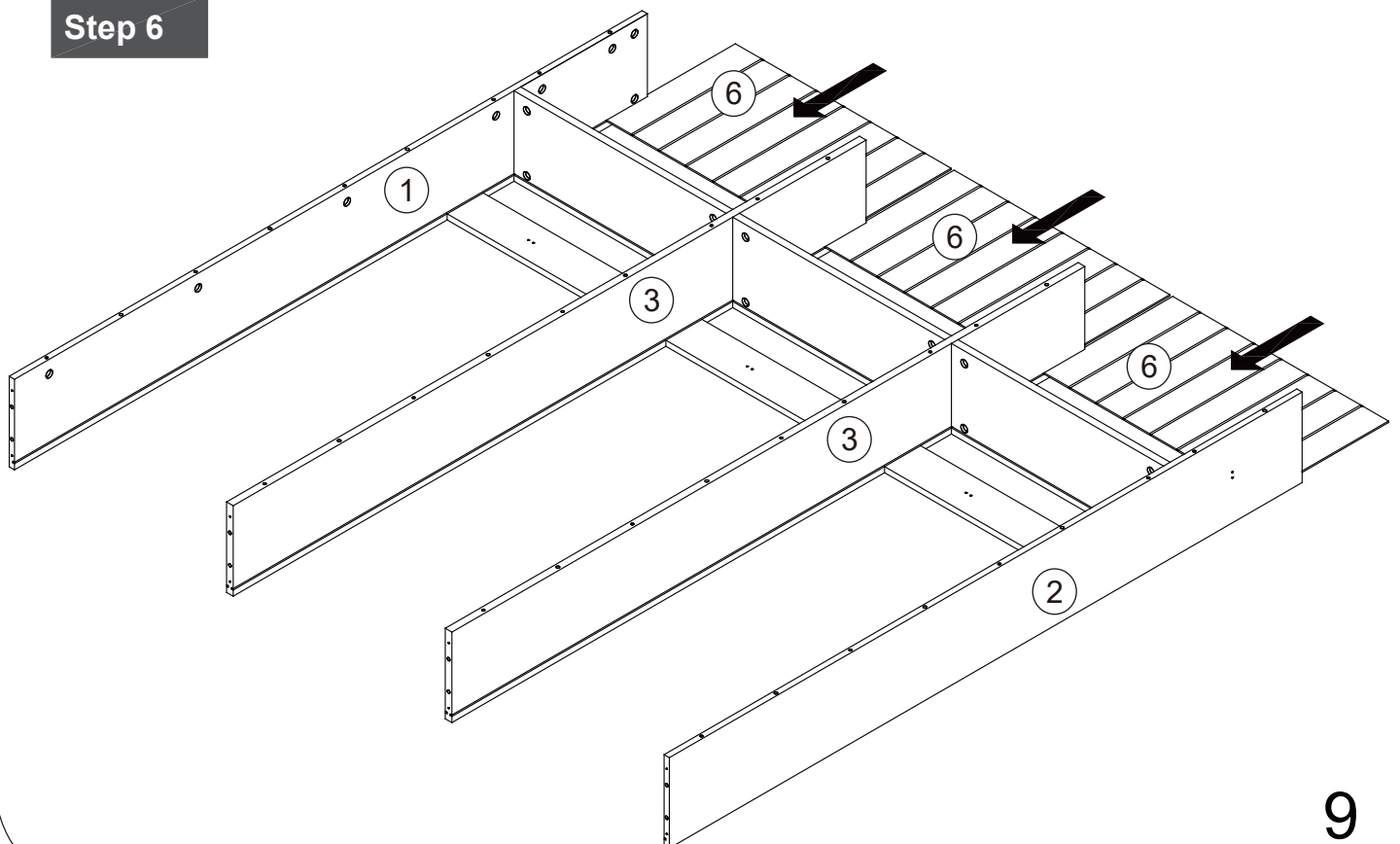
(C)  Cam lock x 4

# Assembly Instructions

## Step 5

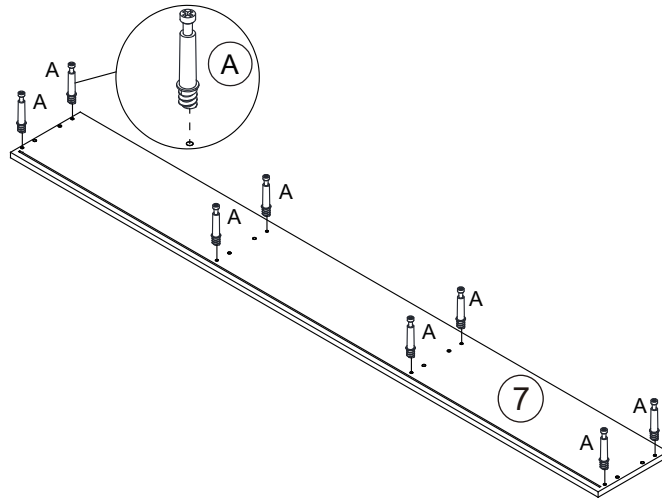


## Step 6

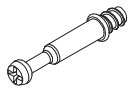


# Assembly Instructions

## Step 7

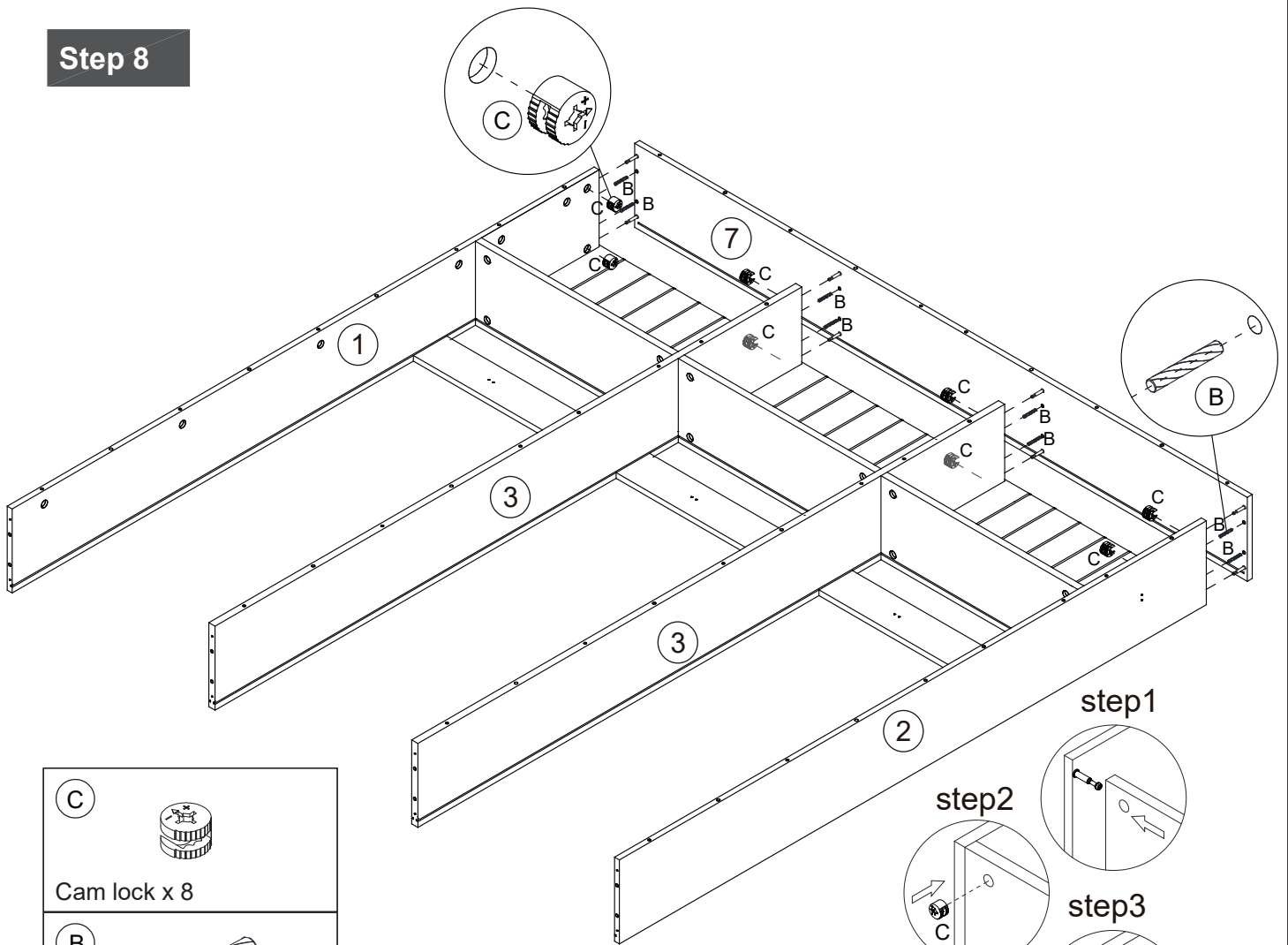


A



Cam Bolt x 8

## Step 8



C



Cam lock x 8

B



6\*30mm Dowel x 8

step1

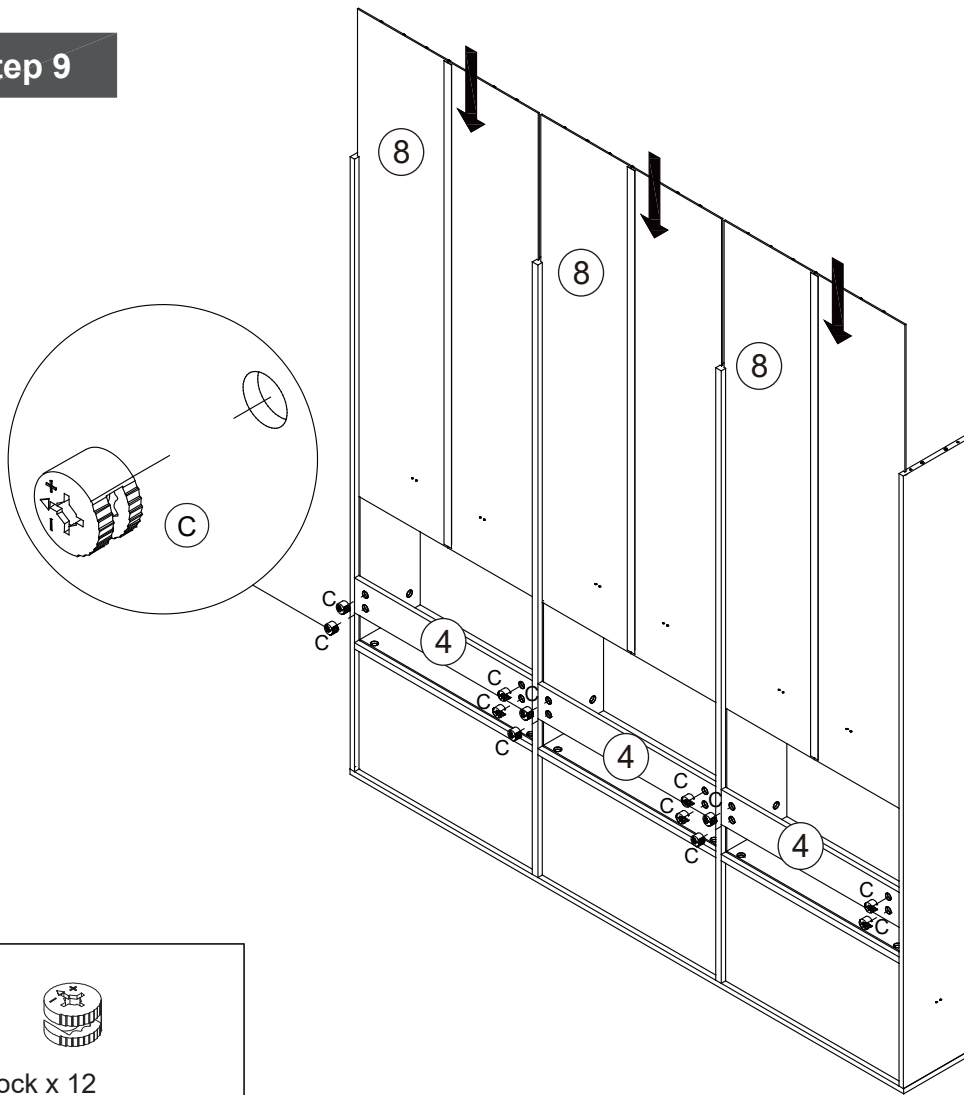
step2

step3

10

# Assembly Instructions

## Step 9

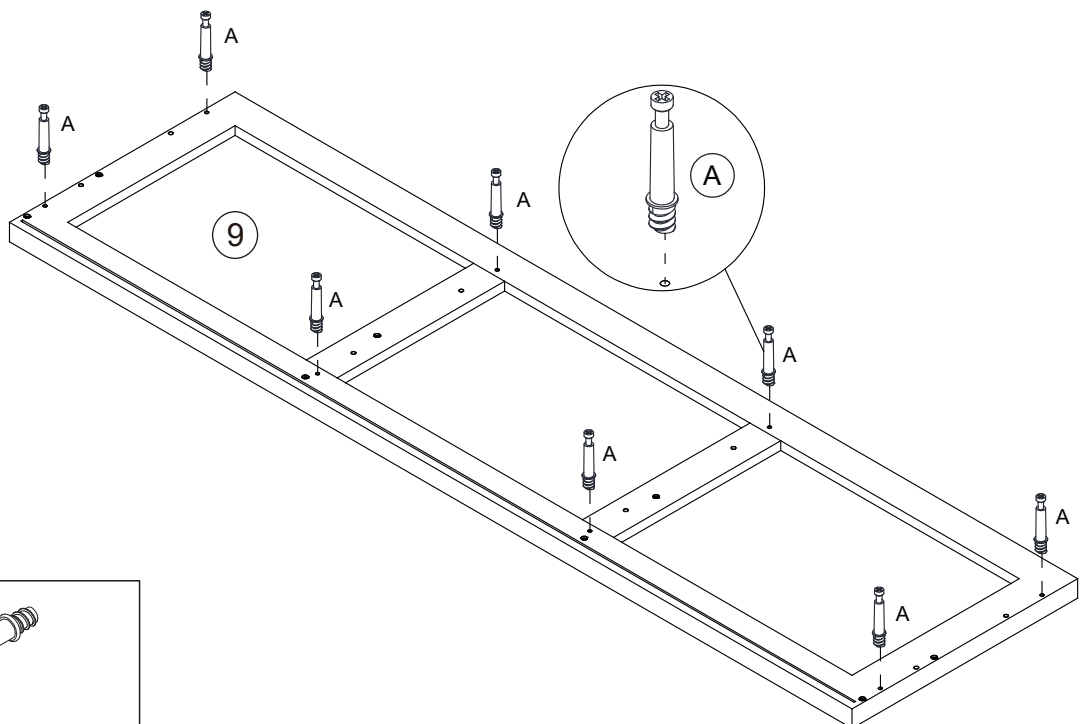


C

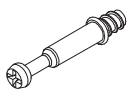


Cam lock x 12

## Step 10



A

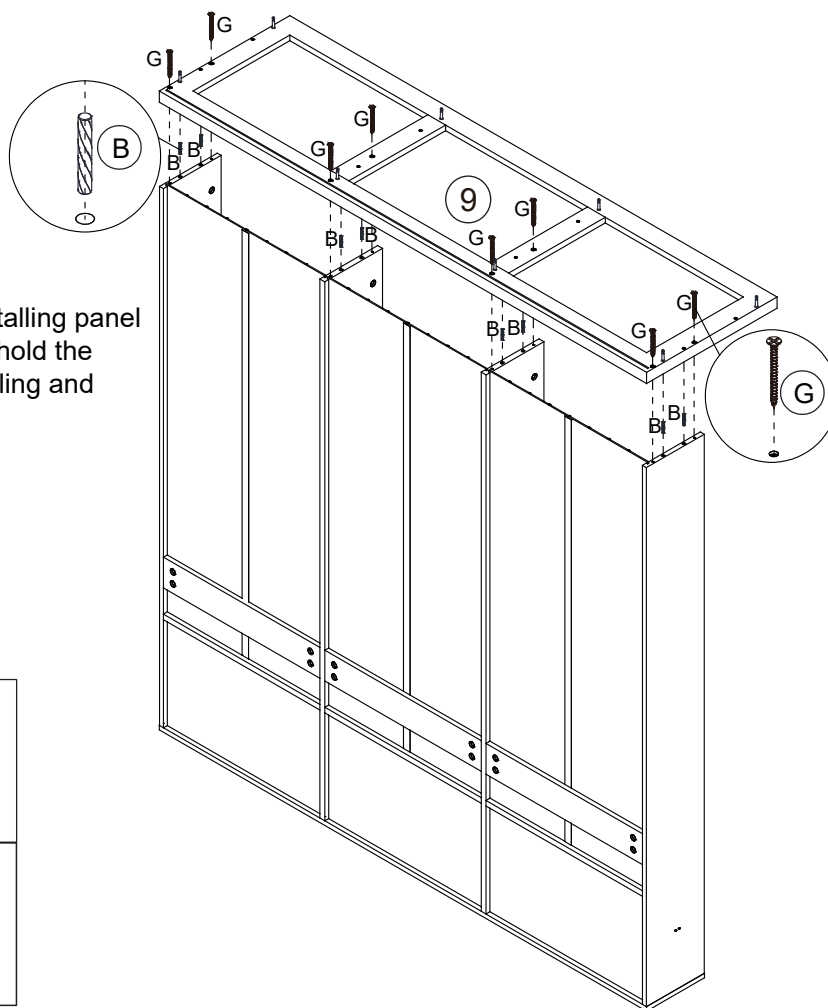


Cam Bolt x 8

# Assembly Instructions

## Step 11

Please note that when installing panel No. 9, one person should hold the panel to prevent it from falling and injuring people.

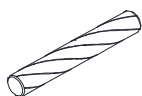


G



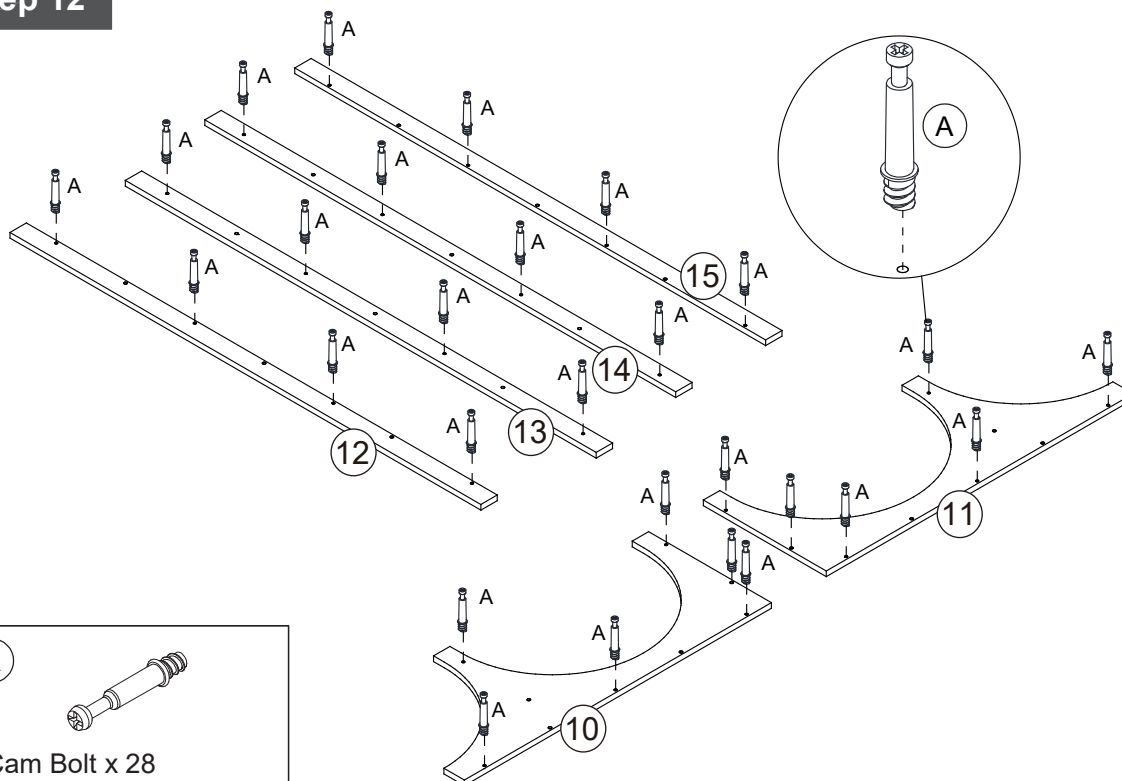
4\*40mm Screw x 8

B

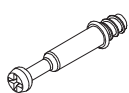


6\*30mm Dowel x 8

## Step 12



A



Cam Bolt x 28

# Assembly Instructions

## Step 13

F-F4

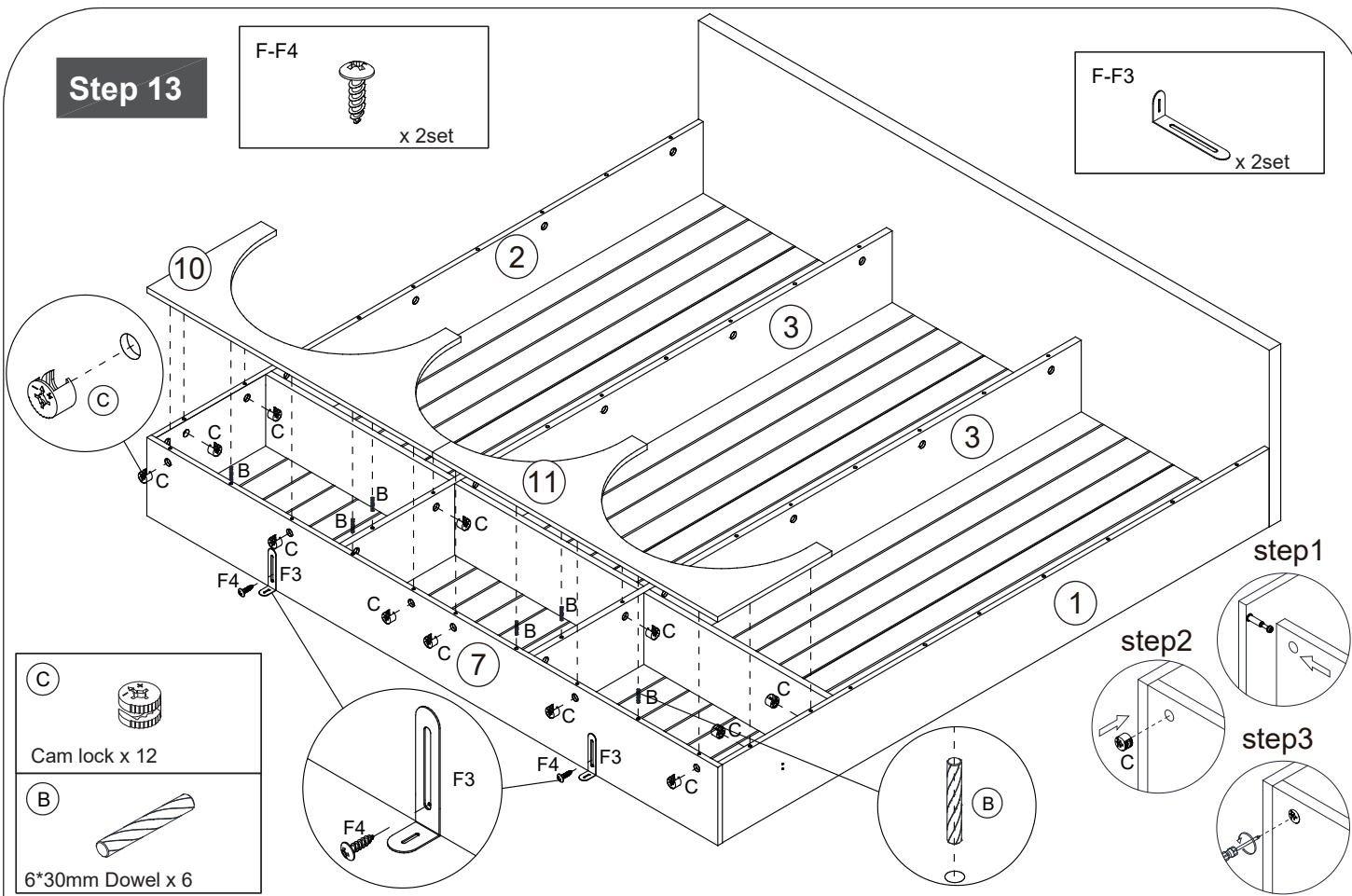


x 2set

F-F3



x 2set

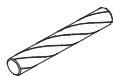


(C)



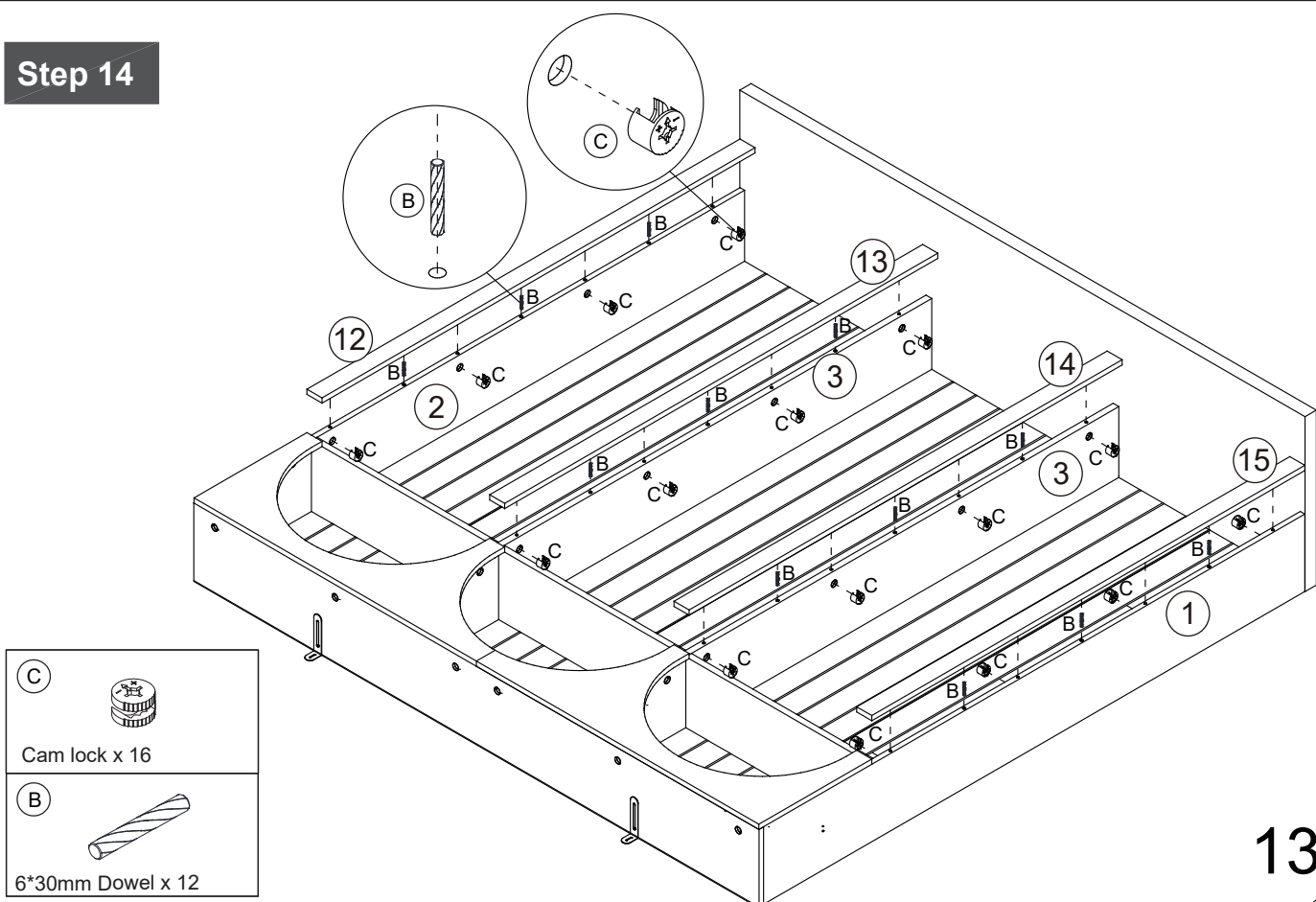
Cam lock x 12

(B)



6\*30mm Dowel x 6

## Step 14



(C)



Cam lock x 16

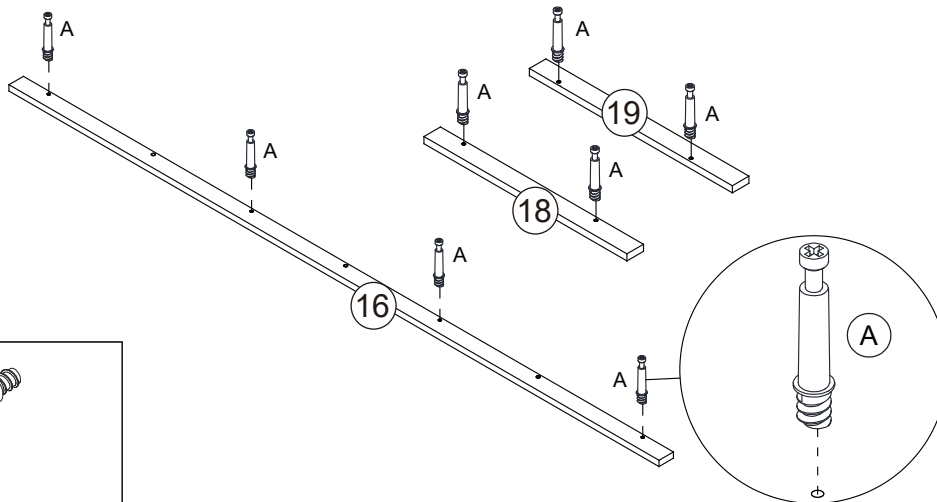
(B)



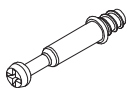
6\*30mm Dowel x 12

# Assembly Instructions

## Step 15

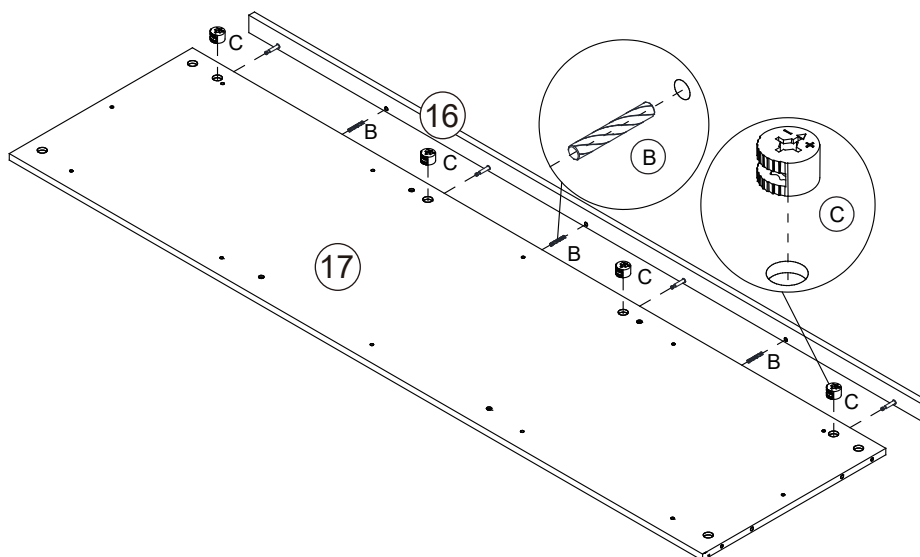


(A)



Cam Bolt x 8

## Step 16

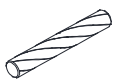


(C)



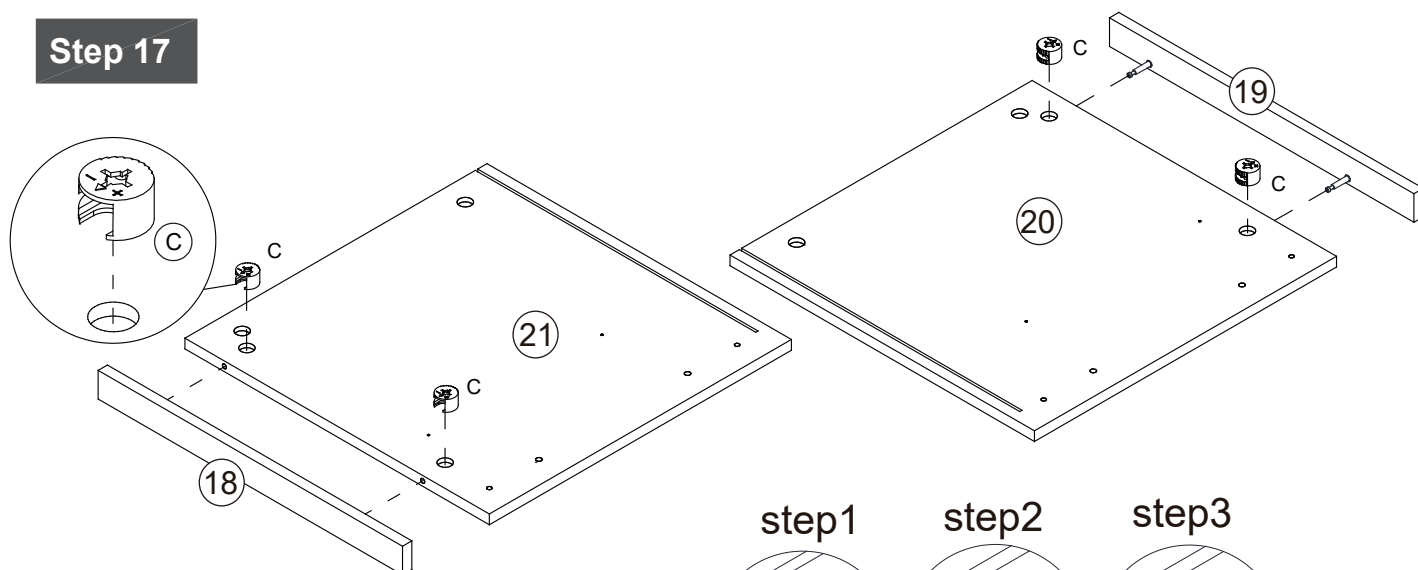
Cam lock x 4

(B)



6\*30mm Dowel x 3

## Step 17



(C)



Cam lock x 4

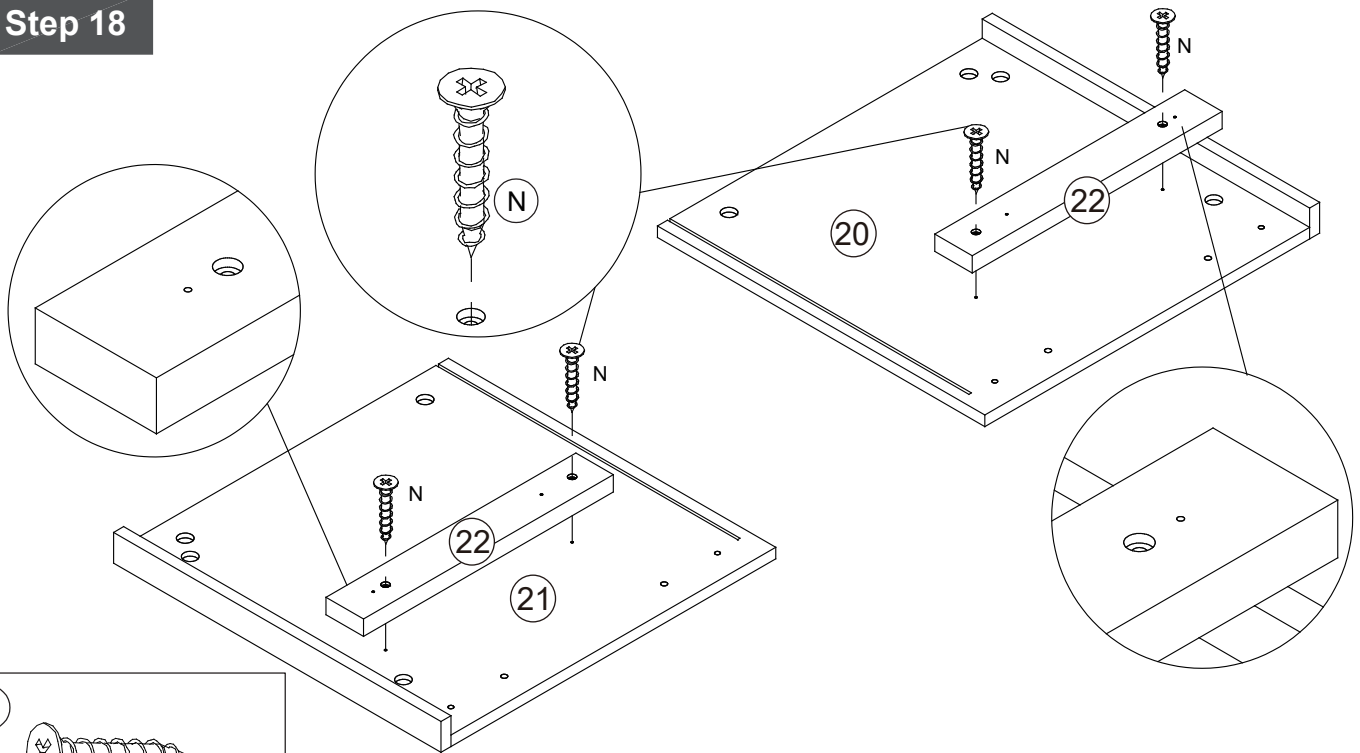
step1

step2

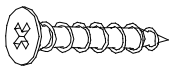
step3

# Assembly Instructions

## Step 18

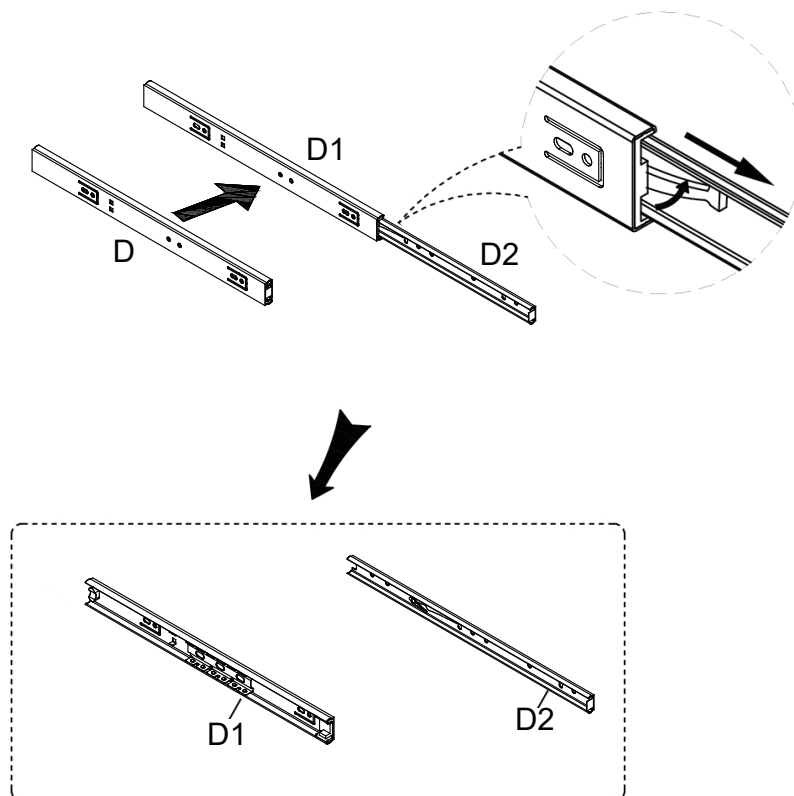


(N)



4\*25mm Screw x 4

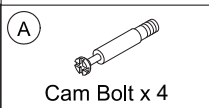
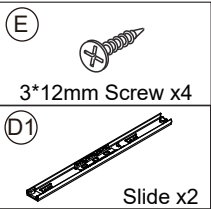
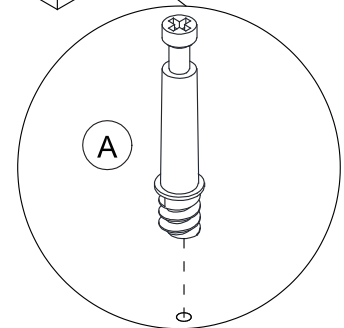
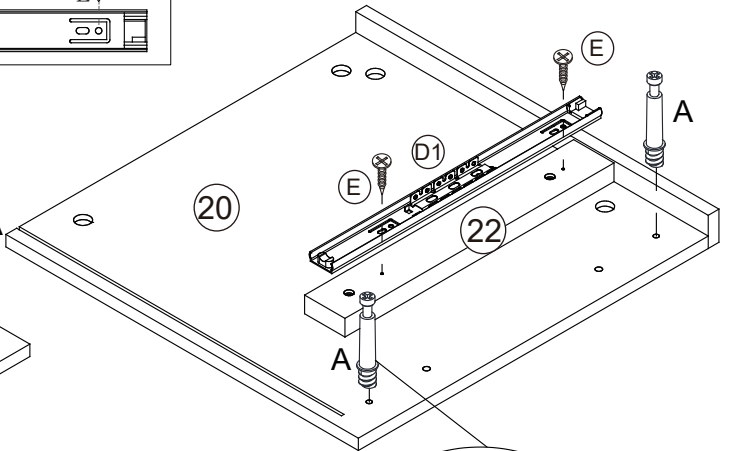
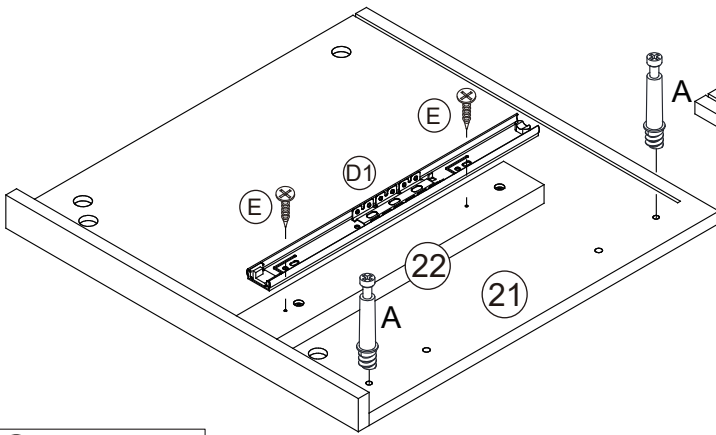
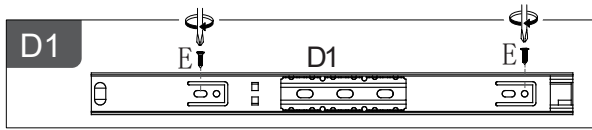
## Step 19



x6

# Assembly Instructions

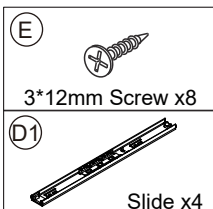
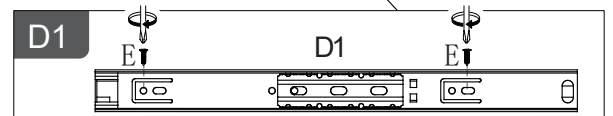
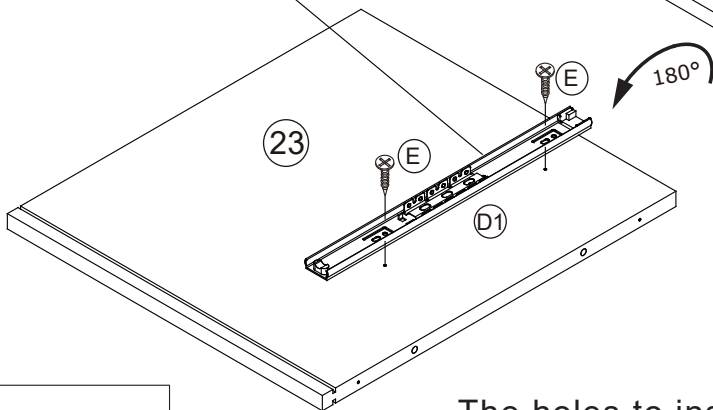
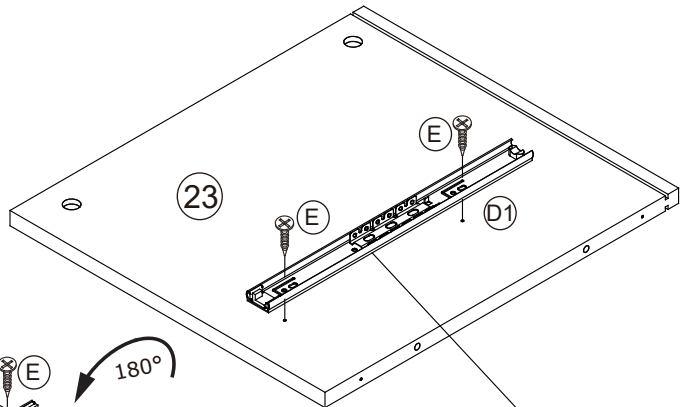
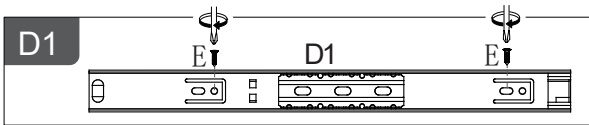
## Step 20



## Step 21

Both sides of the part#23 need to be installed with slide

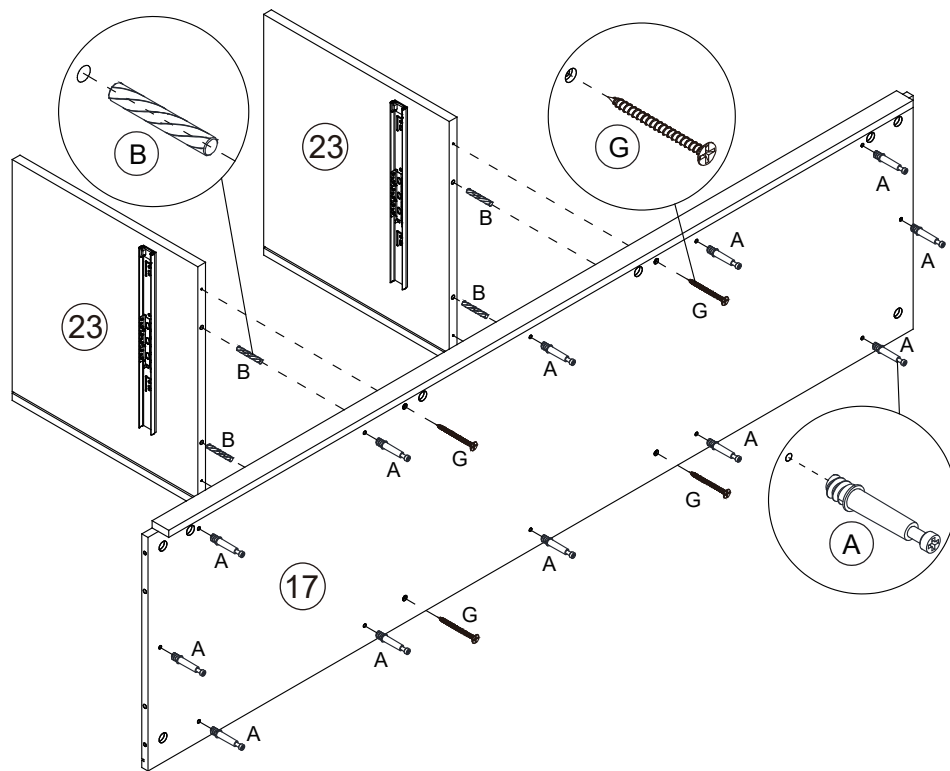
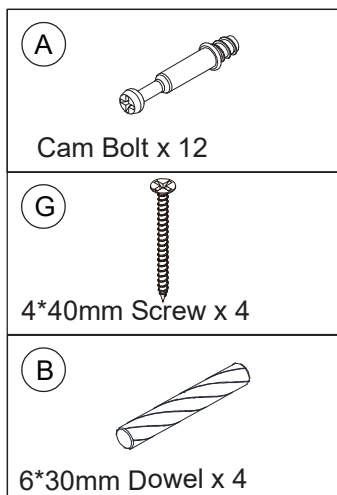
x2



The holes to install screws for the rails on the two sides of the board 23 are different. Please refer to the markings in the figure.

# Assembly Instructions

## Step 22

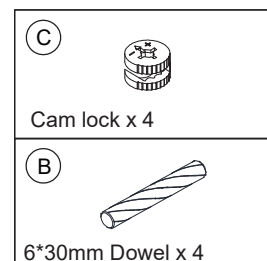
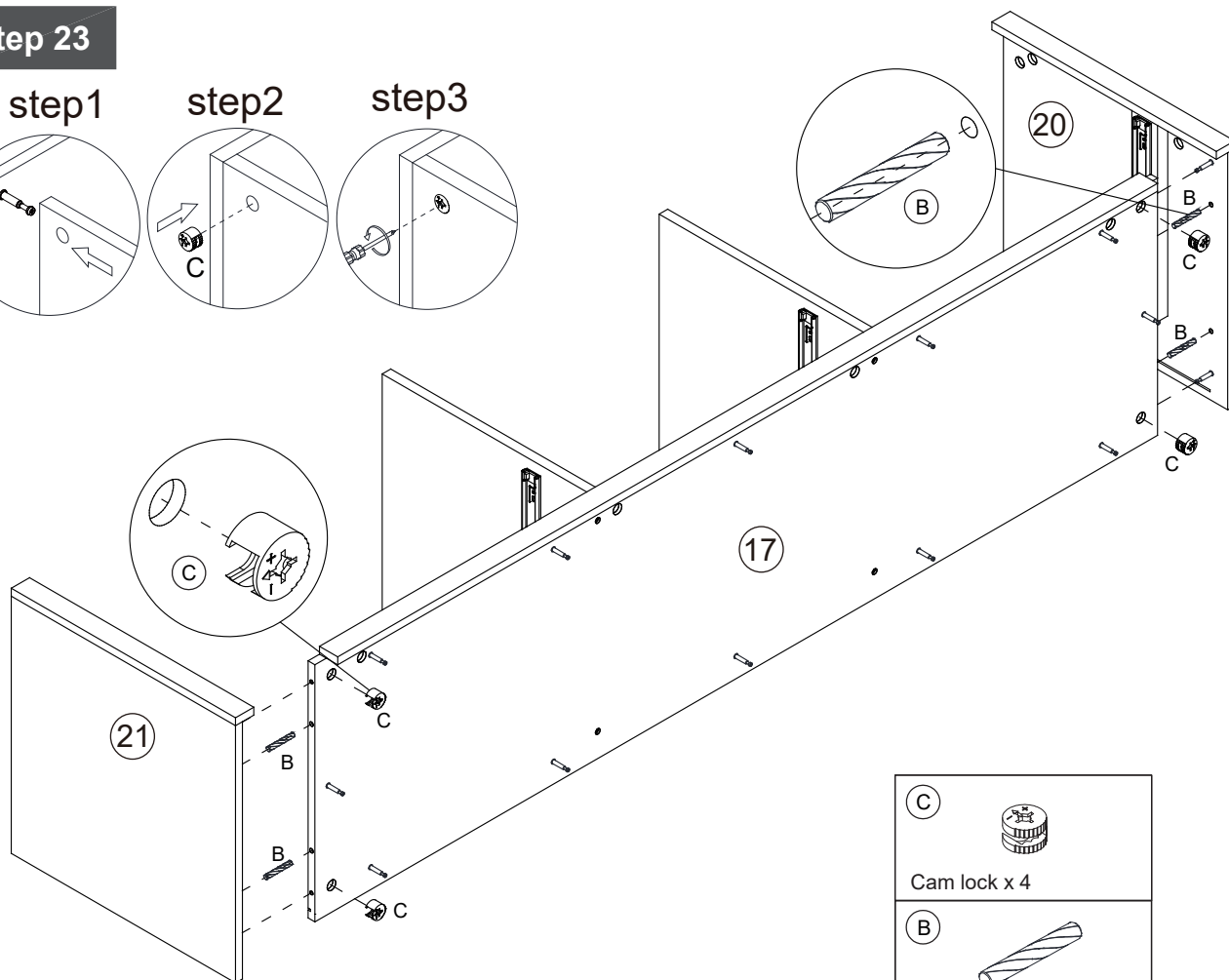
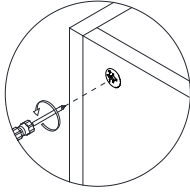
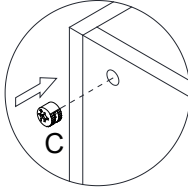
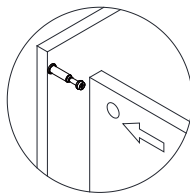


## Step 23

step1

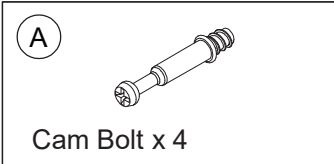
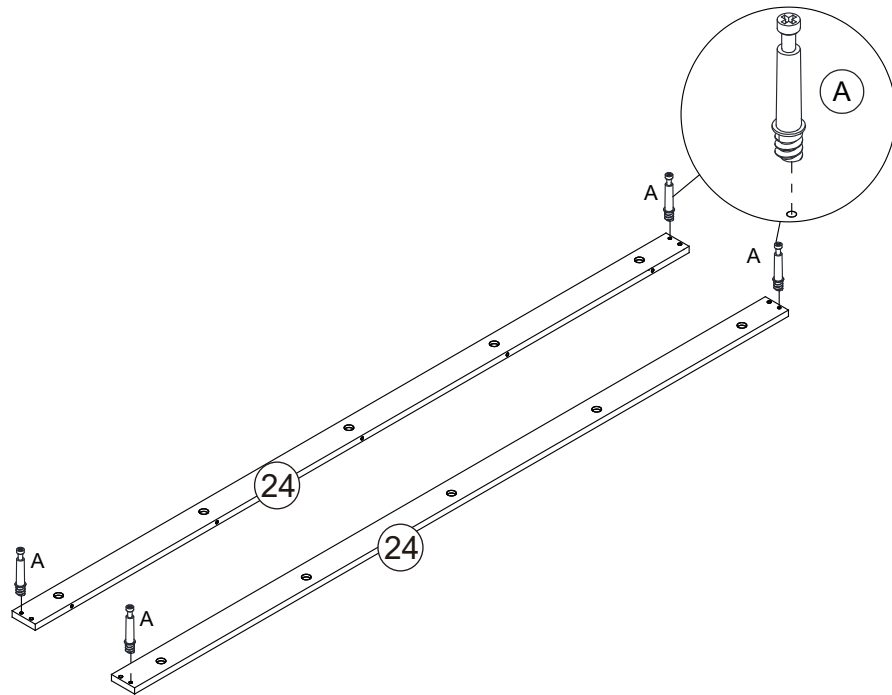
step2

step3

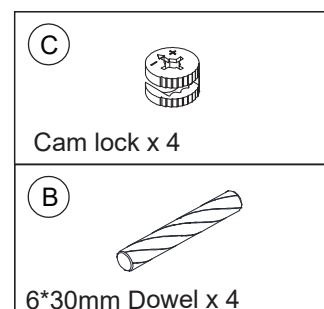
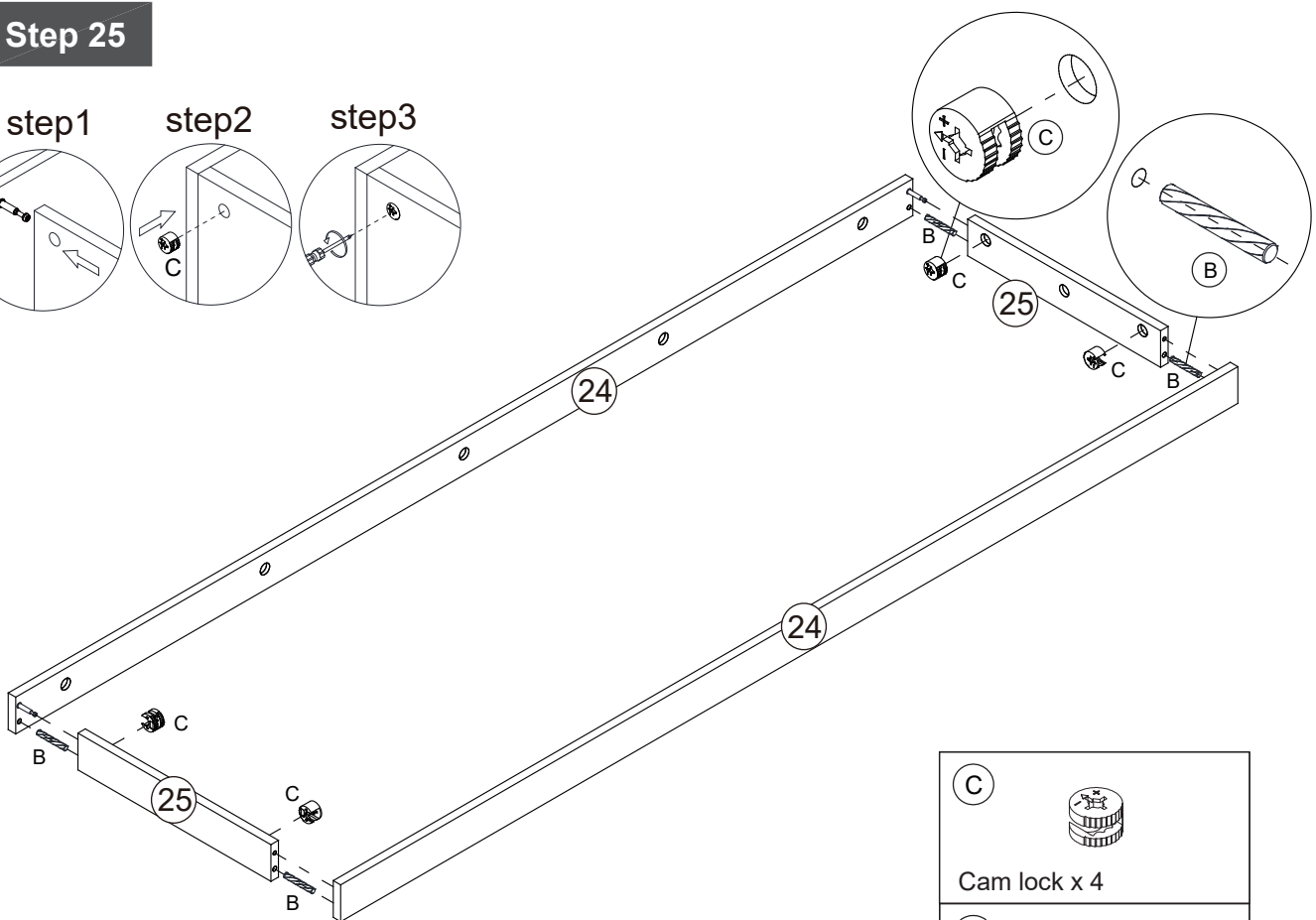
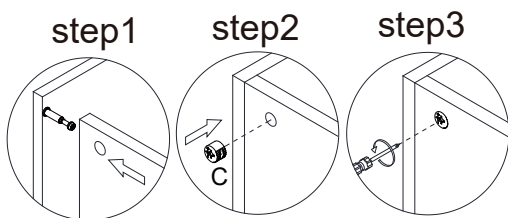


# Assembly Instructions

## Step 24

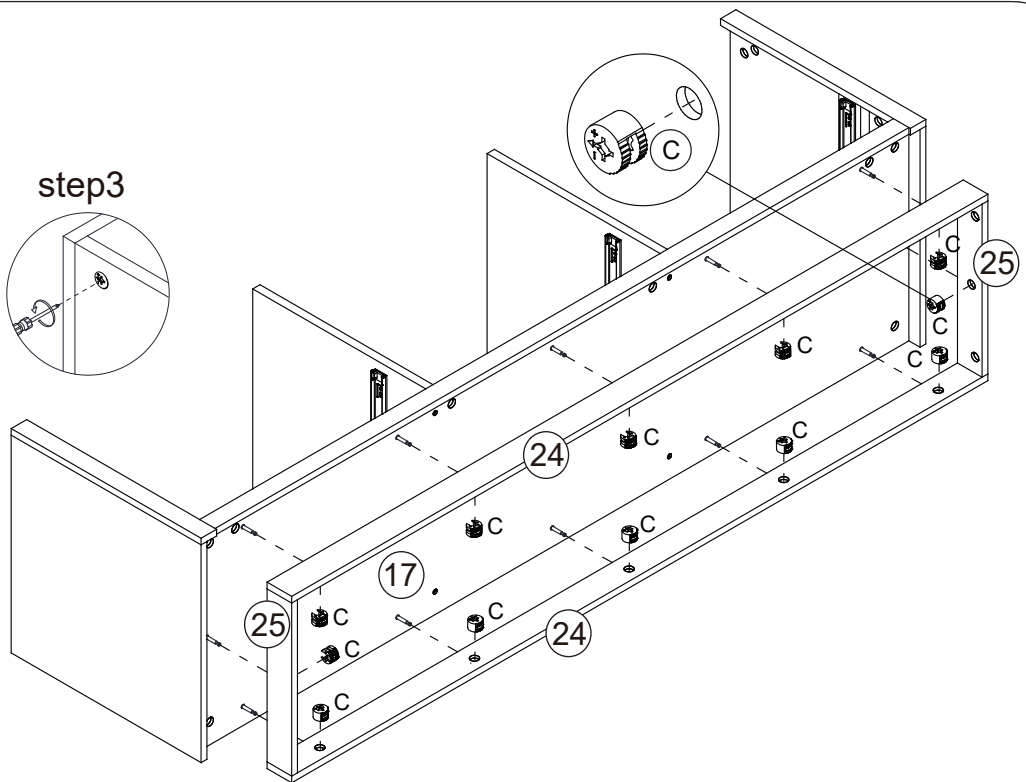
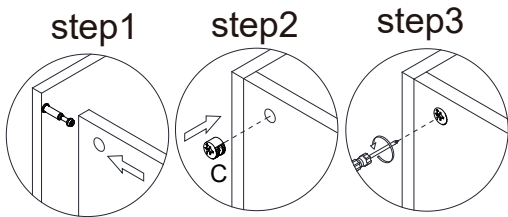


## Step 25

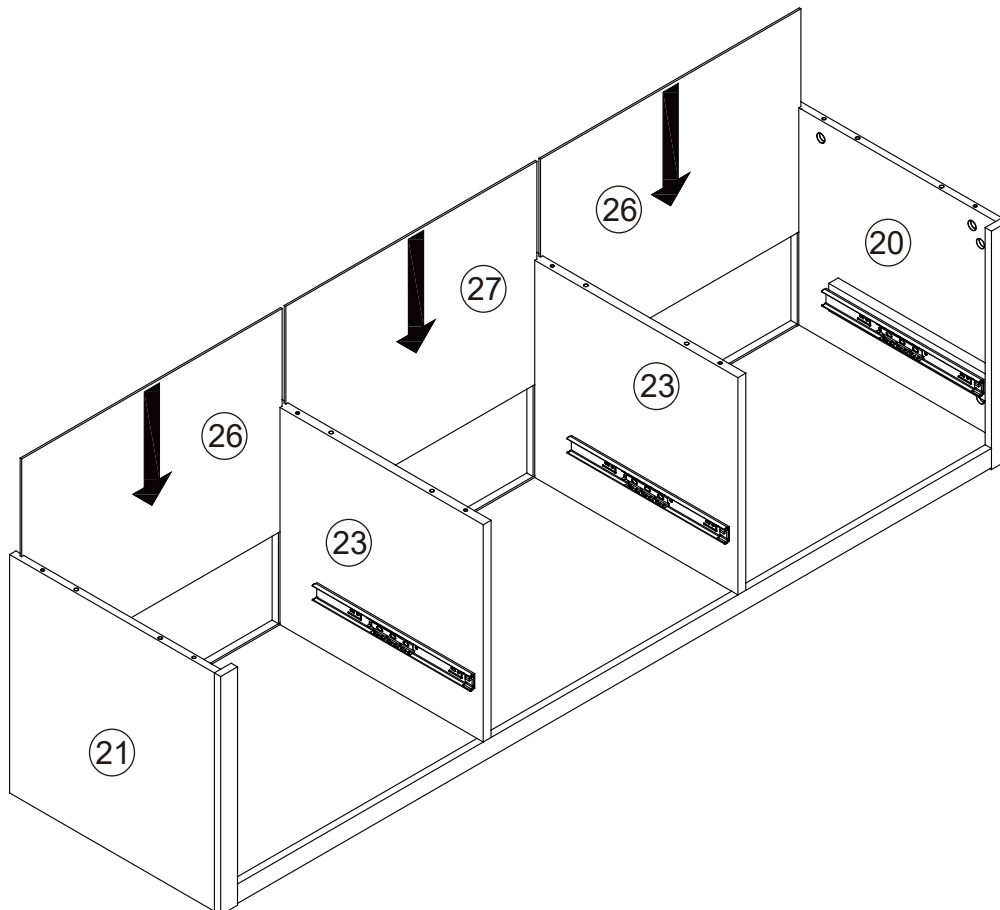


# Assembly Instructions

## Step 26



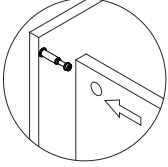
## Step 27



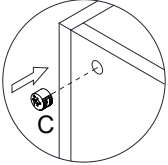
# Assembly Instructions

## Step 28

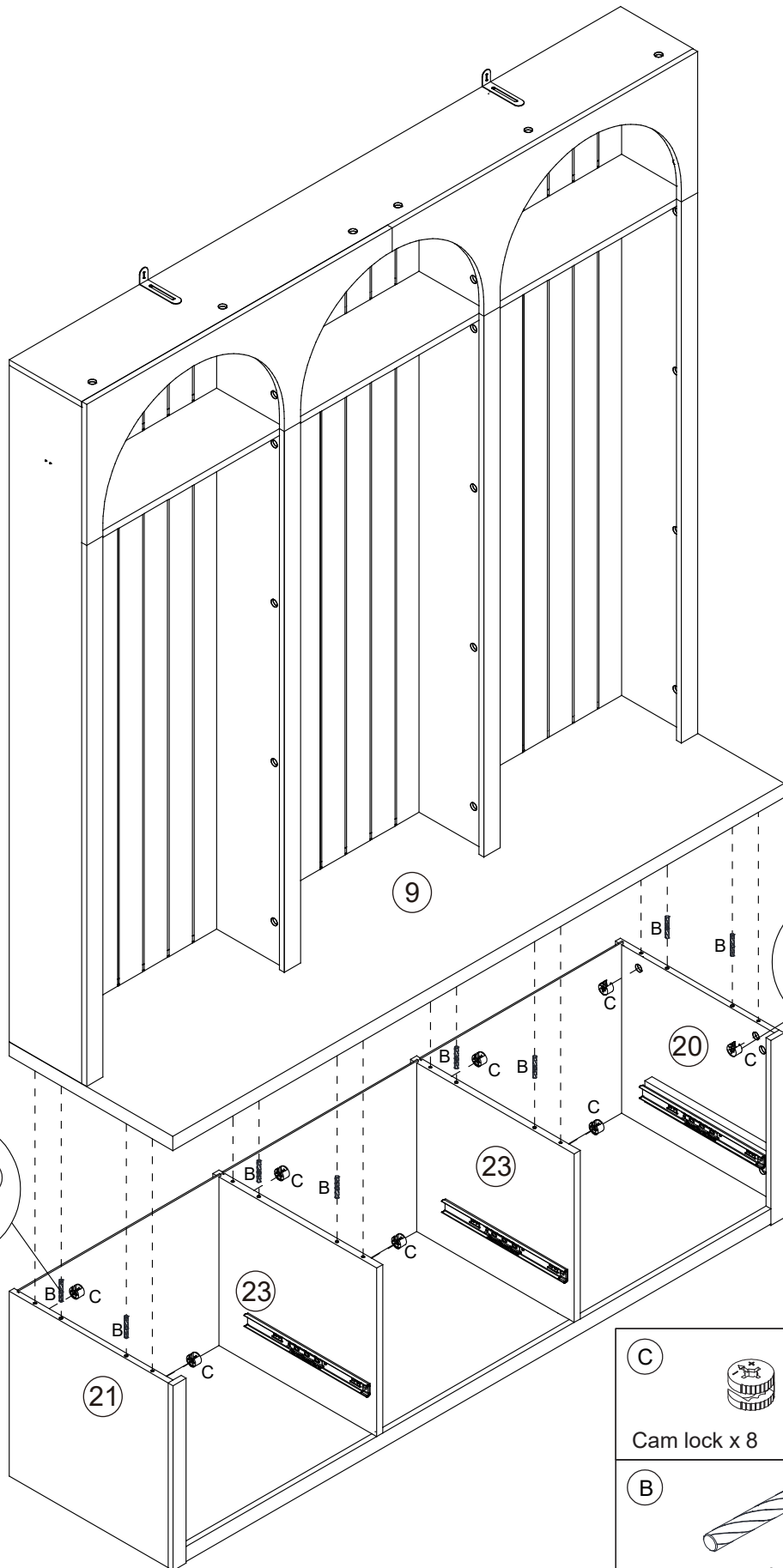
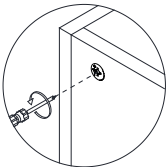
step1





step2



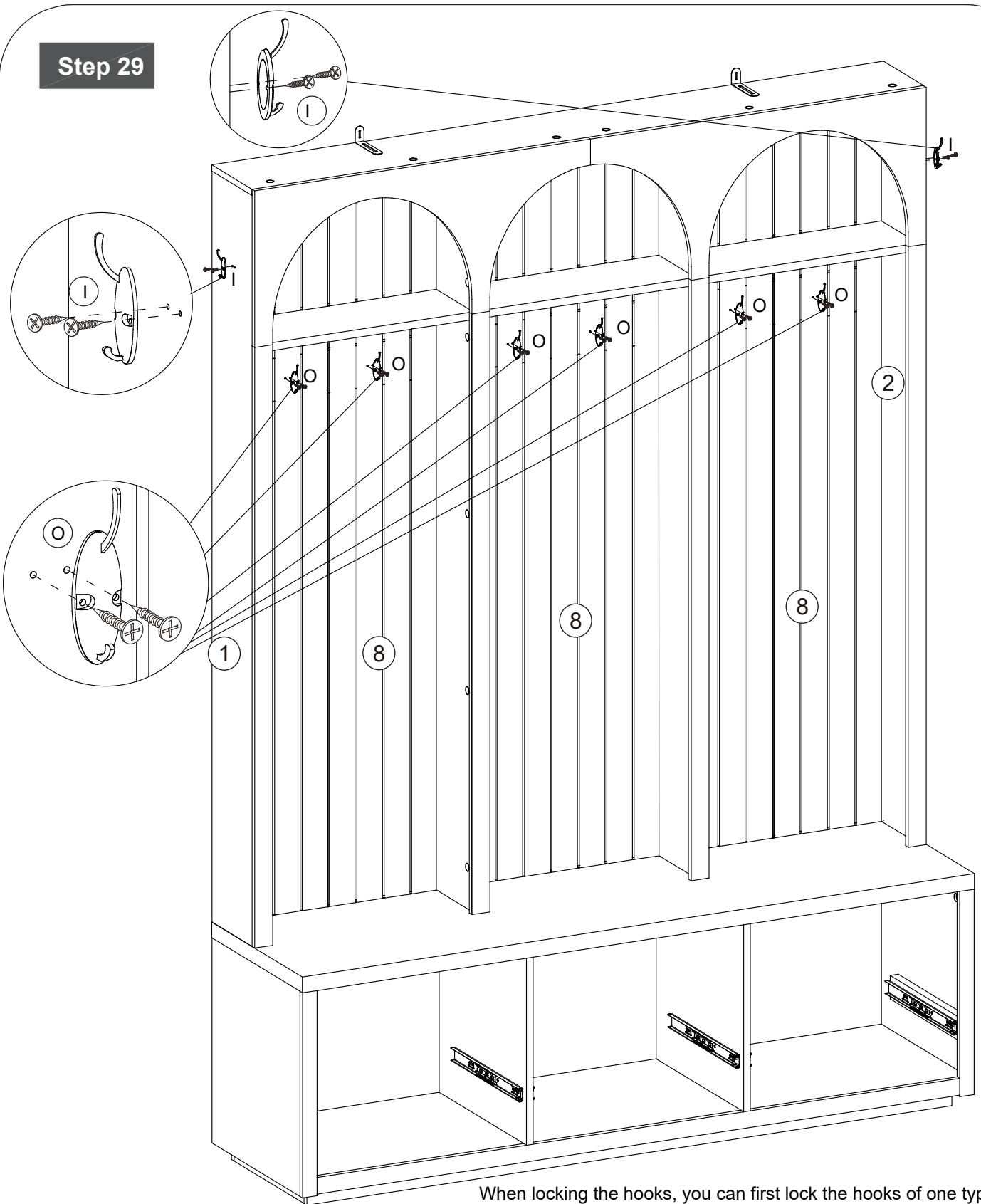
step3



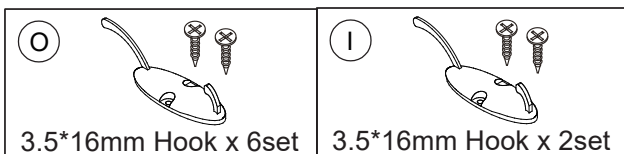
(C)	
Cam lock x 8	
(B)	
6*30mm Dowel x 8	

# Assembly Instructions

## Step 29

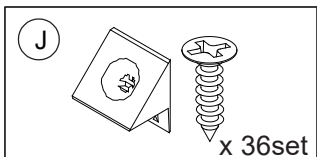
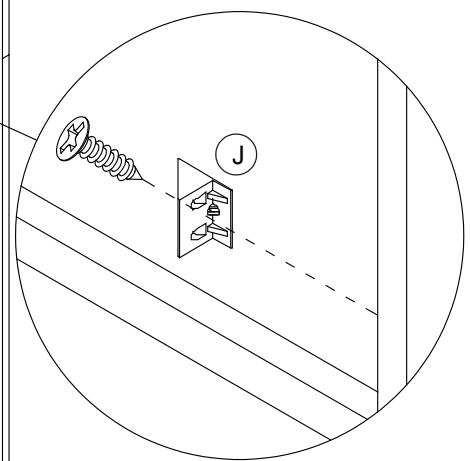
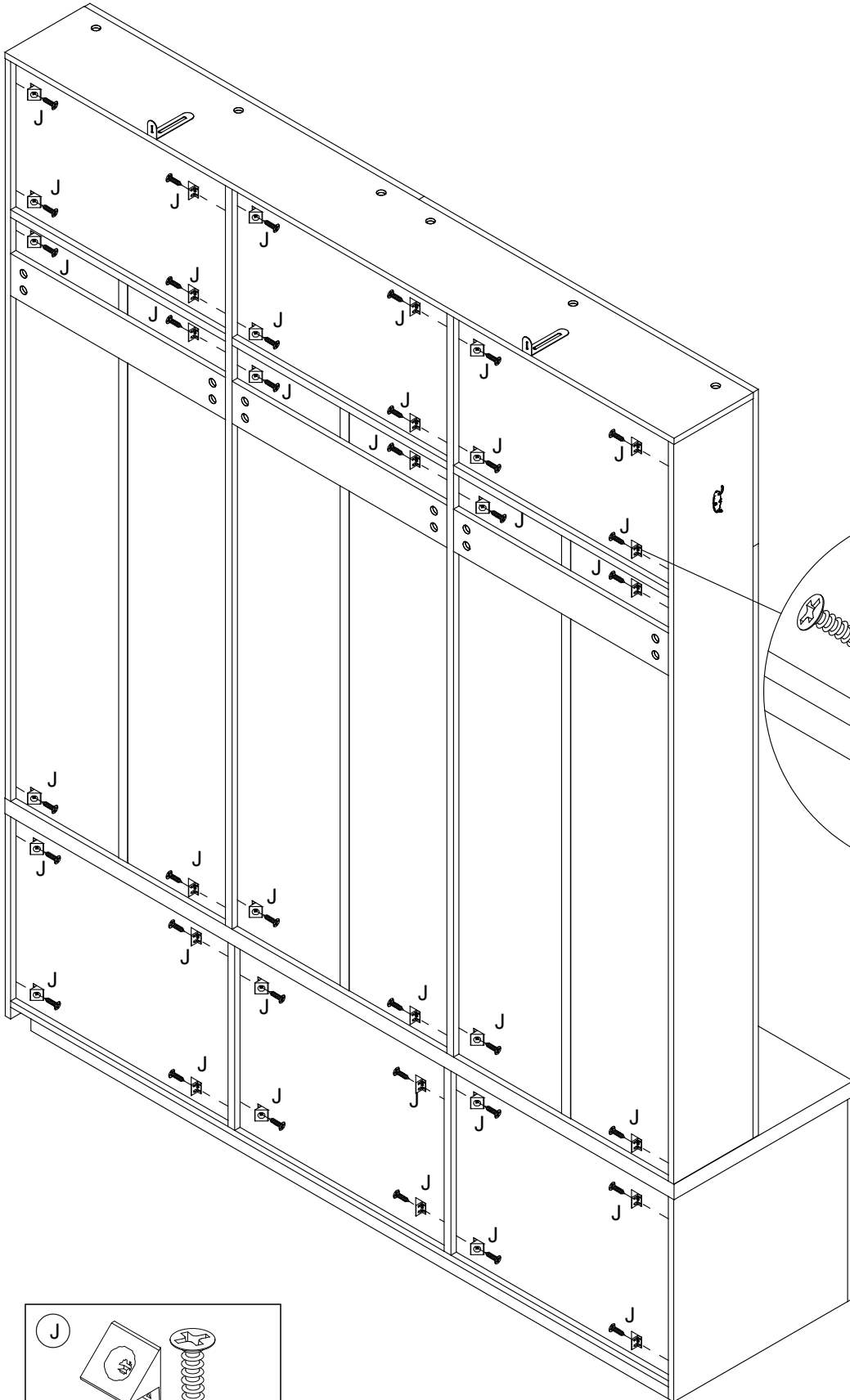


When locking the hooks, you can first lock the hooks of one type of numbering, and then lock the hooks of the other type of numbering. Pay attention to the fact that the lengths of the screws for the two types of hooks are different, so as to avoid locking them incorrectly.



# Assembly Instructions

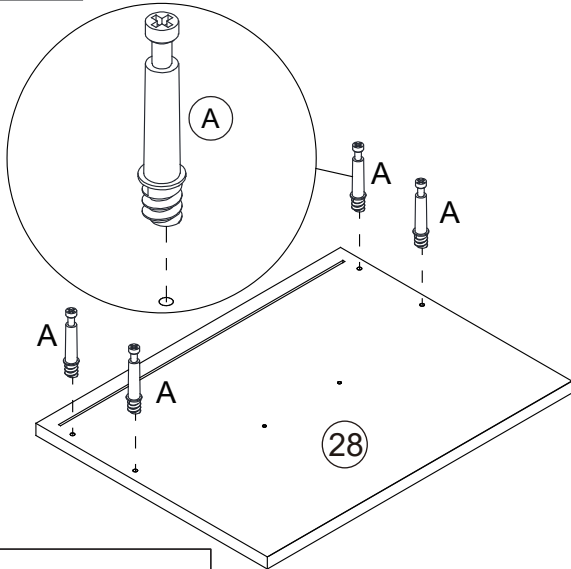
## Step 30



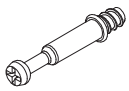
# Assembly Instructions

Step 31

x3

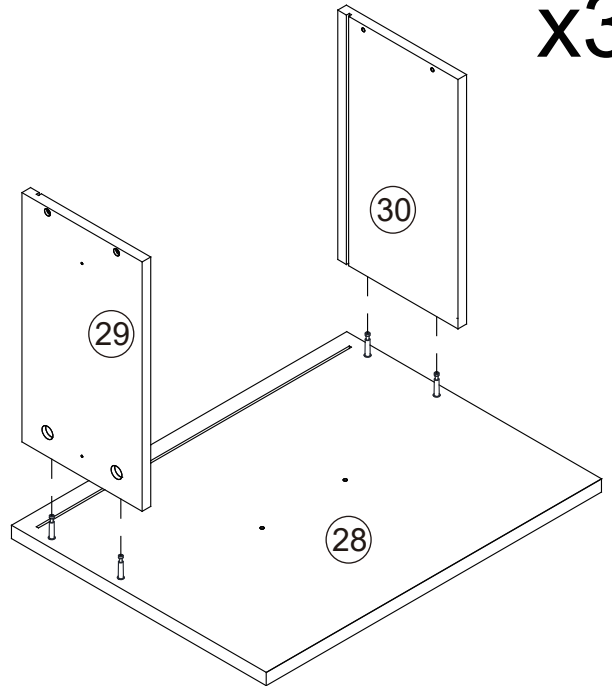


A



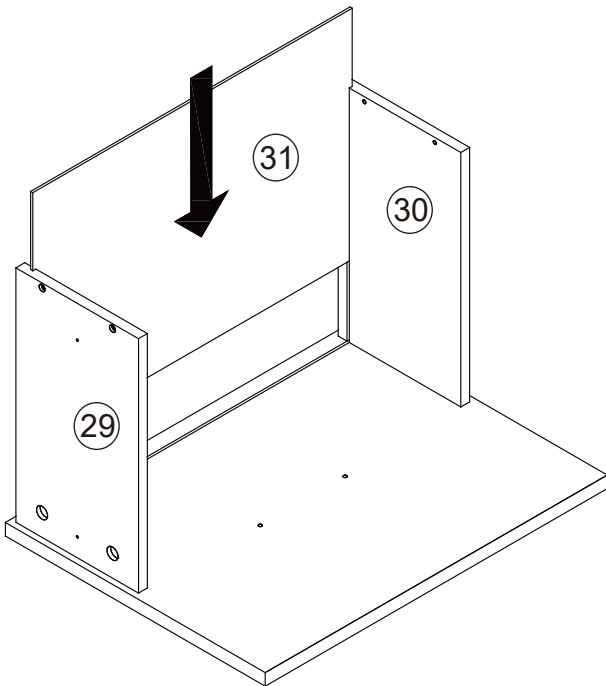
Cam Bolt x12

x3

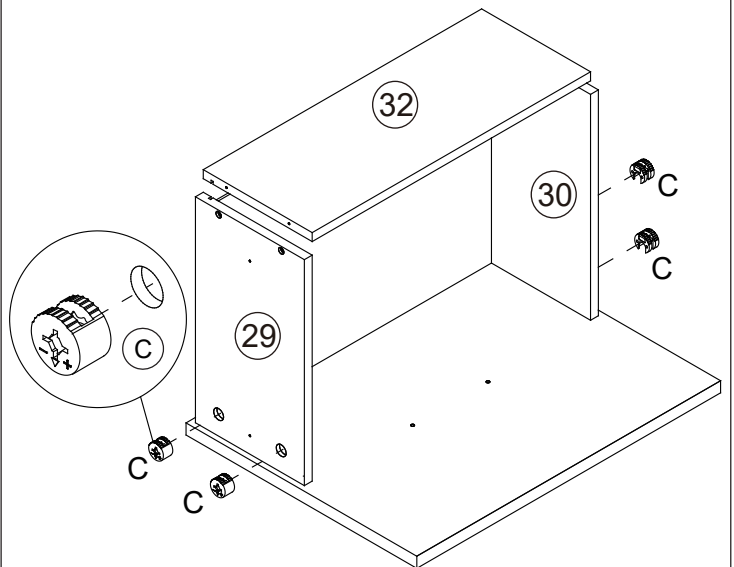


Step 32

x3



x3



C



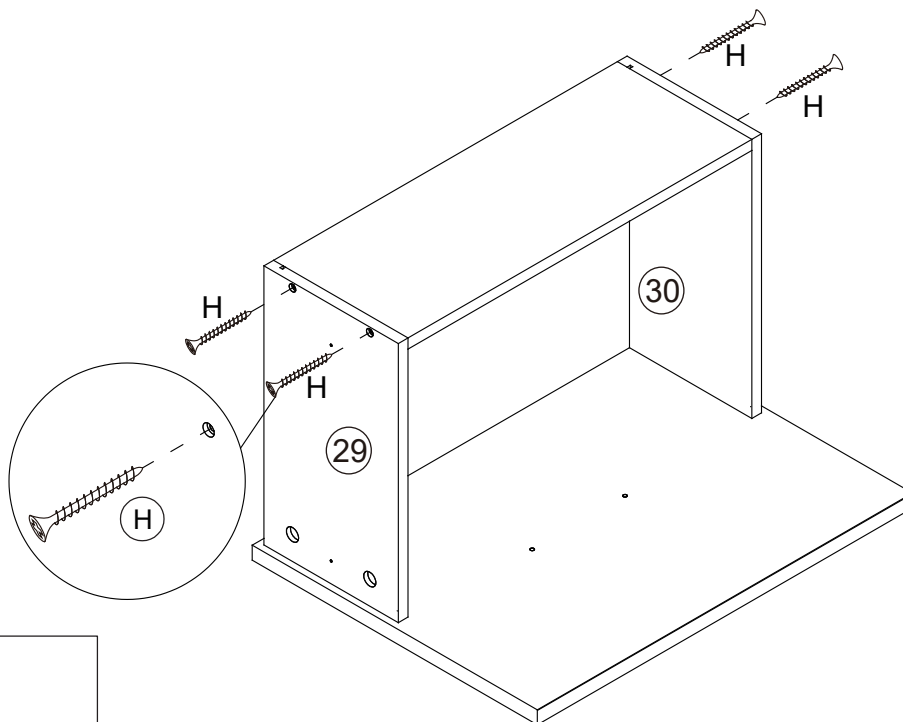
Cam lock x 12

23

# Assembly Instructions

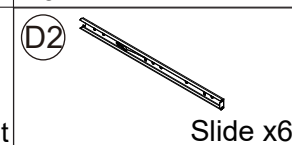
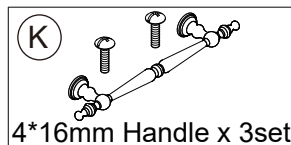
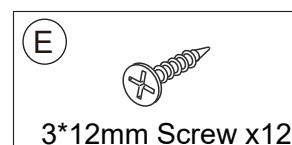
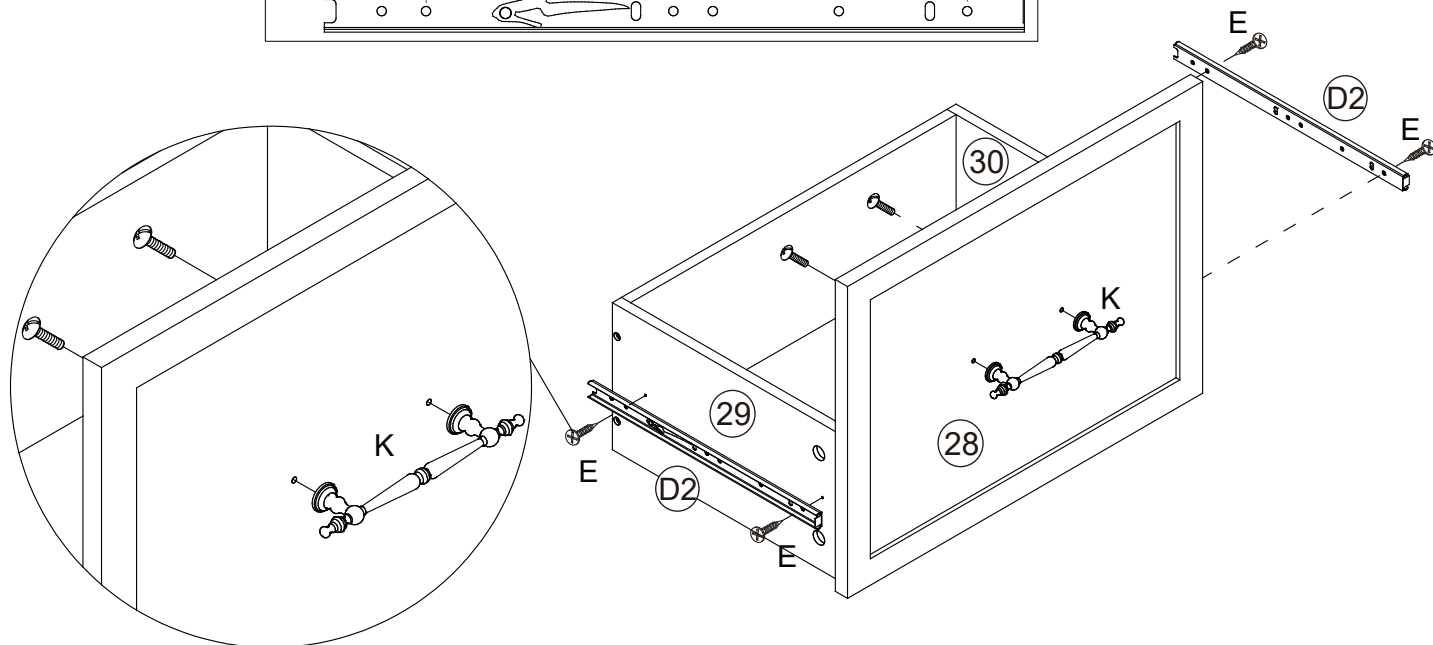
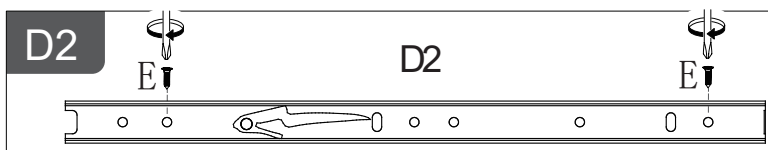
Step 33

x3



Step 34

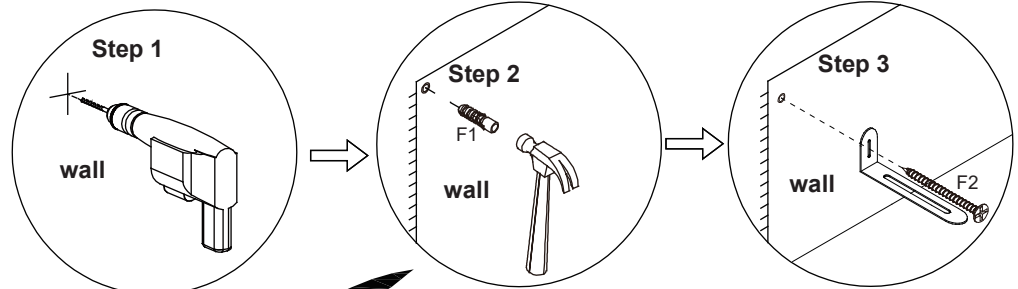
x3



24

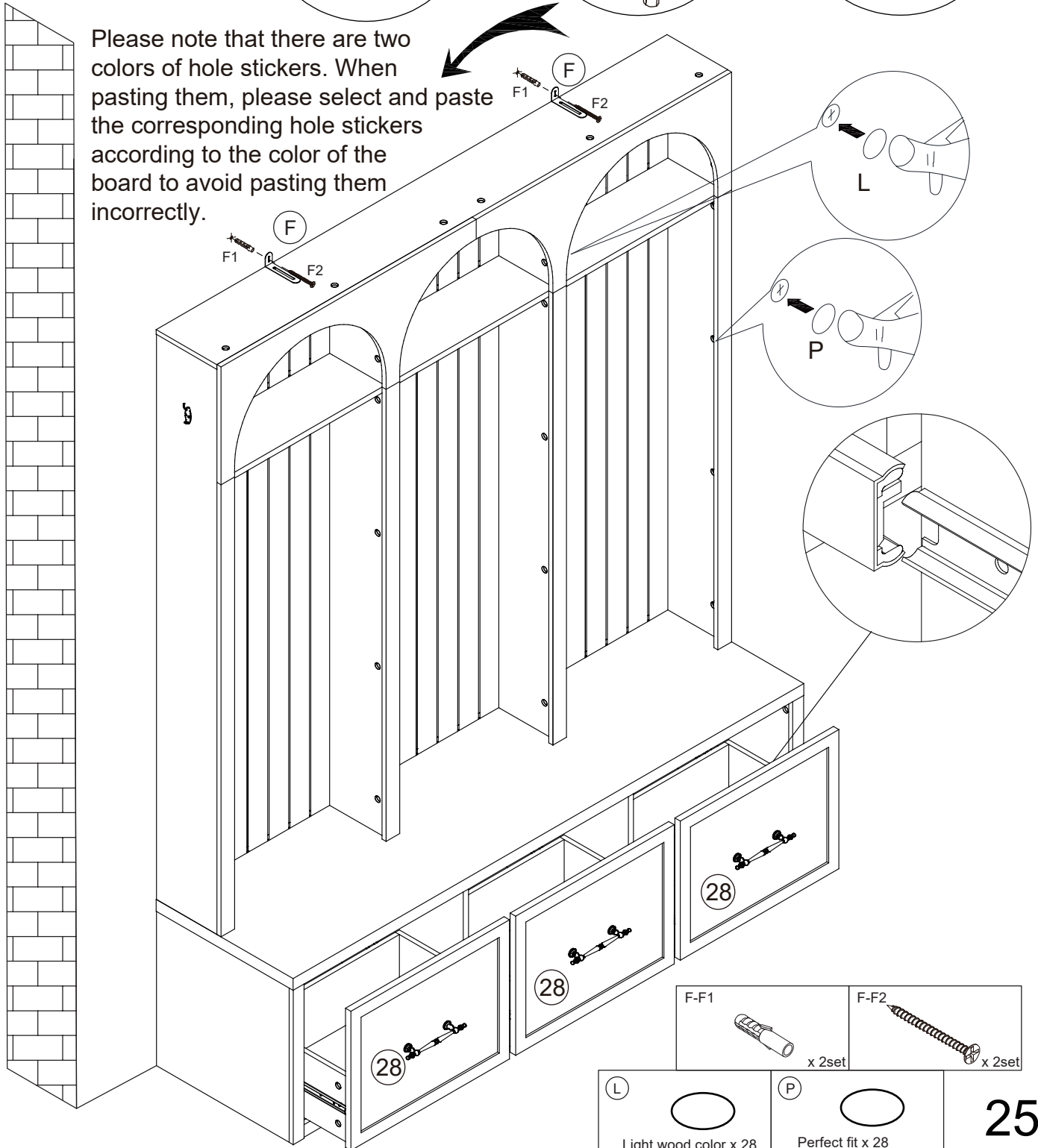
# Assembly Instructions

## Step 35



### WALL

Please note that there are two colors of hole stickers. When pasting them, please select and paste the corresponding hole stickers according to the color of the board to avoid pasting them incorrectly.



# Assembly Instructions

Finish

