

WARRANTY

We strive to offer high-quality products, and we also try our best to satisfy each and every customer that orders from us with product or service as needed. We provide 30 days warranty starting from the time you receive the item. Each customer must provide a record of their order such as the order number, or item receipt for any items that are out of the warranty period you may also still receive replacement parts by purchasing them with our company if they are available.

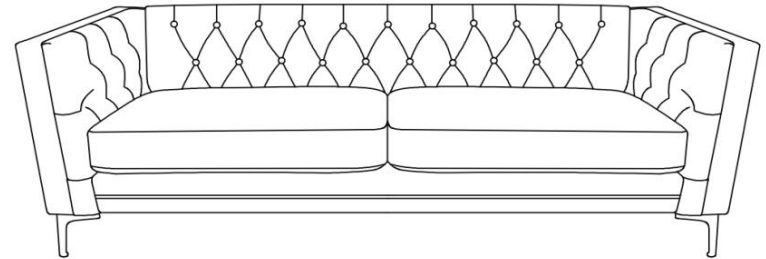
**Are you having difficulty
with assembly? Missing parts?**

Please send email with your order No

**For return, Please check the return policy with
the retailer or MarketPlace you bought from.**

Appreciated your purchasing from us.

Pop up your life by our furniture piece!



NOTE:

This brochure contains IMPORTANT safty info. Please read and keep for future reference.

MAINTAINANCE AND WARNING

- Keep furniture away from heat.
- Do not clean furniture with harsh cleansers or polish. Do not use detergents, Solvents, abrasives, spray packs or leather cleaner. Use non-color mild soap with warm water clean spills(Mix 1:10 soap to water)
- Do not place furniture under direct sunlight, material will possibly fade over time.
- Do not use on site dry Cleaning machine.
- Children should not climb or jump on the furniture.
- Do not write on furniture without a padded barrier to protect the surface.
- Not for commercial use, For residential use only.



Weight Limitation

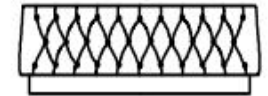
750LBS

PARTS LIST

Ax1: Seat



Bx1: Backrest



Cx1: Left armrest



Dx1: Right armrest



Ex4: Legs



Fx1: Middle leg



HARDWARE LIST

①x8: bolt
M8x20mm



②x1: plastic pad
φ10mm



③x1: allen key
M6x30x80mm



SPARE

①x1: bolt
M8x20mm

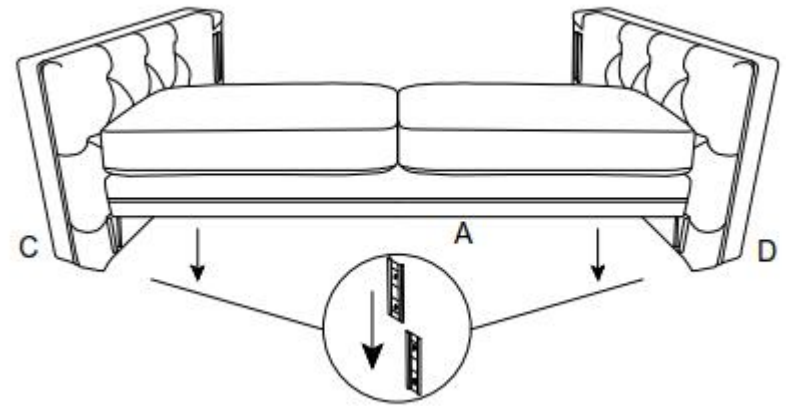


②x1: plastic pad
φ10mm



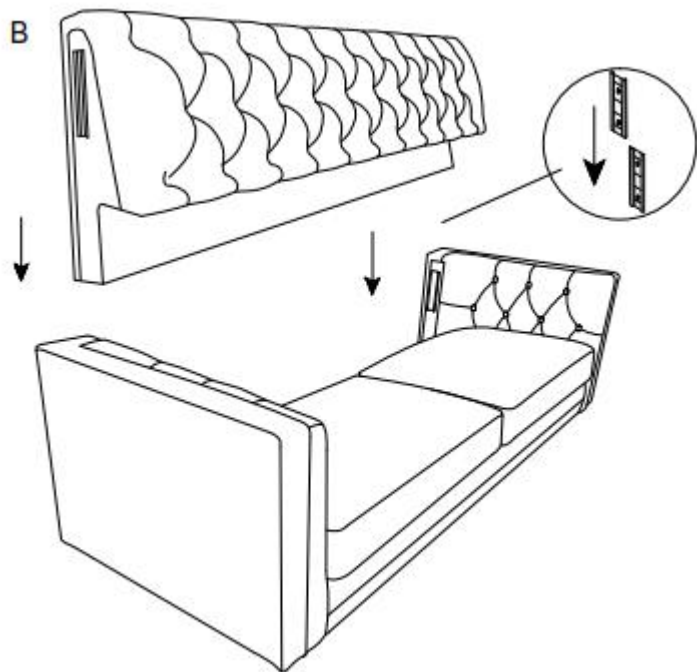
Be sure to check all packing material carefully for small parts, which may have come loose inside the carton during shipment.

ASSEMBLY INSTRUCTIONS



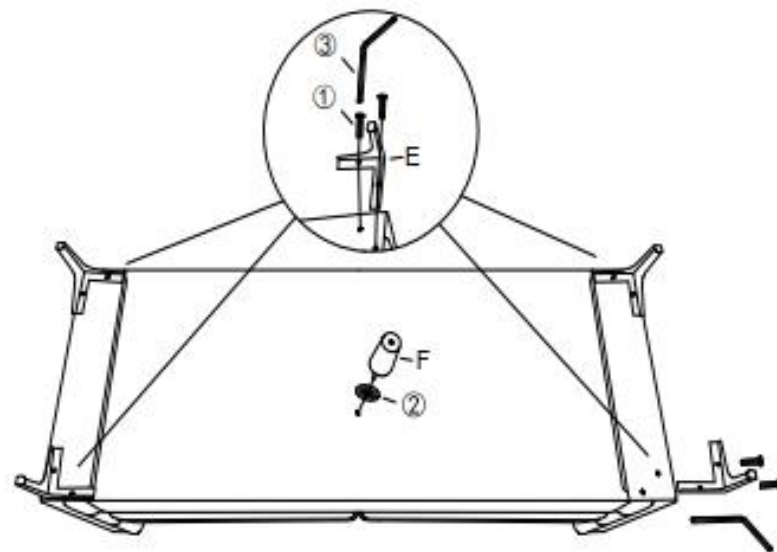
STEP 1:

Place the armrest C and D on clean padded surface. Align and insert the metal bracket of seat A downwards into the metal bracket of armrest C and D. Make sure they are connected tightly and secure.



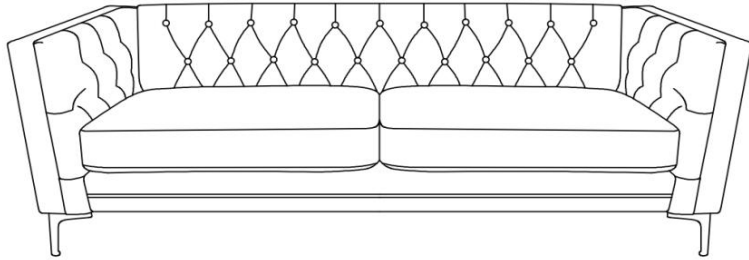
STEP 2: Insert the backrest B into sofa from the top down.

Be sure to have adult partner help to hold both armrests while aligning metal brackets on backrest/armrests.



STEP 3:

Clockwise rotate the middle leg F into the middle hole with Plastic Pad ②. Use allen key ③ to fasten the leg E with bolt ①.



Assembly completed.