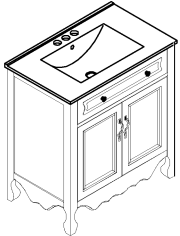


ASSEMBLY INSTRUCTIONS

Thank you for purchasing this quality Product. Be sure to check all packing material carefully for small parts, which may have come loose inside carton during shipment. Identify and count all parts and compare with the parts list below.






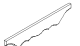









ASSEMBLY INSTRUCTION:

1. Remove hardware from box and sort by size.
2. Please check to see that all hardware and parts are present prior start of assembly.
3. Please follow attached instruction in the same sequence as numbered assure fast and easy assembly.

WARNING!

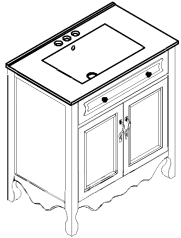
1. Don't attempt to repair or modify parts that are broken or defective. Please contact the store immediately.
2. This product is for home use only and not intended for commercial establishments.
3. Two persons are required for assembly.
4. Approximate assembly time 1/2 hours.
5. Component parts and fittings contained in the box. Please sort out all parts before you begin to assemble the item. This is to make sure you always use the correct part.
6. It is **STRONGLY RECOMMENDED** that you **ANCHOR** this product to a wall. Tipping furniture can cause serious injuries and death. To prevent your furniture from tipping forward it is strongly recommended that you securely attach this product to a wall or other solid surface, using the anchor straps provided appropriate fittings.

No.	Component	Q'ty
1	 Side Panel-Left	1
2	 Side Panel-Right	1
3	 Bottom	1
4	 Back Panel - Up	1
5	 Back Panel - Low	1
6	 Front Rail - Below	1
7	 Front Rail-Up	2
8	 Back Flip down Box	1
9	 Front Flip down Box	1
10	 Shelf	1

No.	Component	Q'ty
11	 Door-Left	1
12	 Door - Right	1
13	 Sink	1

ASSEMBLY INSTRUCTIONS

Thank you for purchasing this quality Product. Be sure to check all packing material carefully for small parts, which may have come loose inside carton during shipment. Identify and count all parts and compare with the parts list below.









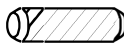



ASSEMBLY INSTRUCTION:

1. Remove hardware from box and sort by size.
2. Please check to see that all hardware and parts are present prior start of assembly.
3. Please follow attached instruction in the same sequence as numbered assure fast and easy assembly.

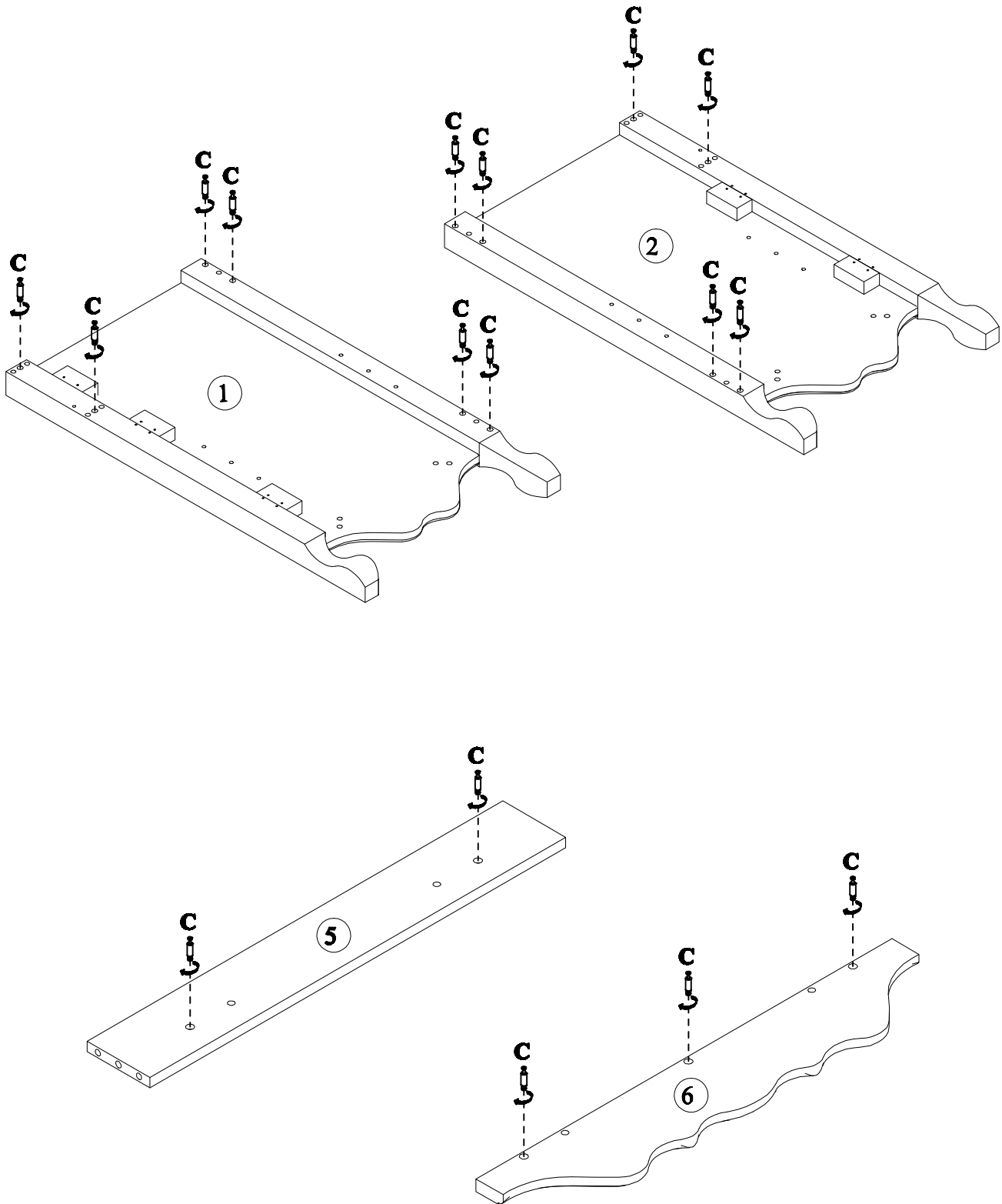
WARNING!

1. Don't attempt to repair or modify parts that are broken or defective. Please contact the store immediately.
2. This product is for home use only and not intended for commercial establishments.
3. Two persons are required for assembly.
4. Approximate assembly time 1/2 hours.
5. Component parts and fittings contained in the box. Please sort out all parts before you begin to assemble the item. This is to make sure you always use the correct part.
6. It is **STRONGLY RECOMMENDED** that you **ANCHOR** this product. Tipping furniture can cause serious injuries and death. To prevent your furniture from tipping forward it is strongly recommended that you securely attach this product to a wall or other solid surface, using the anchor straps provided appropriate fixings.

No.	Hardware	Q'ty
A	 Allen Bolts 1/4" x 30	4
B	 Flat Washers 1/4" x 16 x 1	4
C	 Cam Lock Screws	17
D	 Cam Lock	17
E	 Screws $\varnothing 8 \times 4 \times 19 \text{mm}$	4
F	 Handle	2
G	 Handle-Left	1
H	 Handle-Right	1
I	 Screws $\varnothing 5/32 \times 22 \text{mm}$	2
J	 Screws $\varnothing 5/32 \times 10 \text{mm}$	4
K	 Rod Support hinges - Left	1
L	 Swivel Hinges (L/R)	2

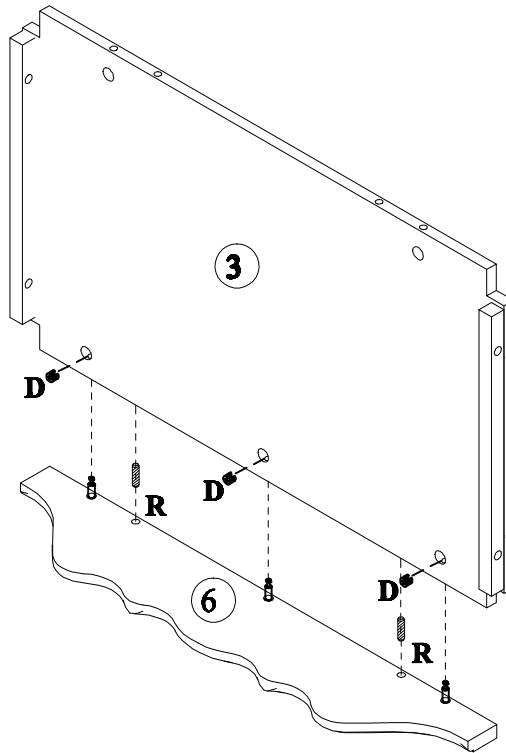
No.	Hardware	Q'ty
M	 Screws $\varnothing 6 \times 3 \times 12 \text{mm}$	8
N	 Hinges	4
O	 Screws $\varnothing 7 \times 3.5 \times 15 \text{mm}$	24
P	 Shelf Support	4
Q	 Screws $\varnothing 7 \times 3.5 \times 12 \text{mm}$	4
R	 Wooden $\varnothing 8 \times 30 \text{mm}$	20
S	 Allen key	1
T	 Anti fall hardware (sets)	1
		Not Included

Step 1



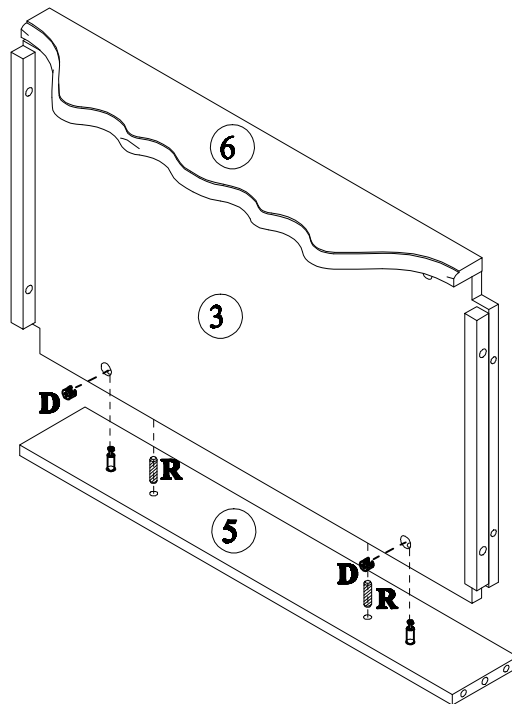
No	Hardware	Q'ty
C	Cam Lock Screws	17

Step 2



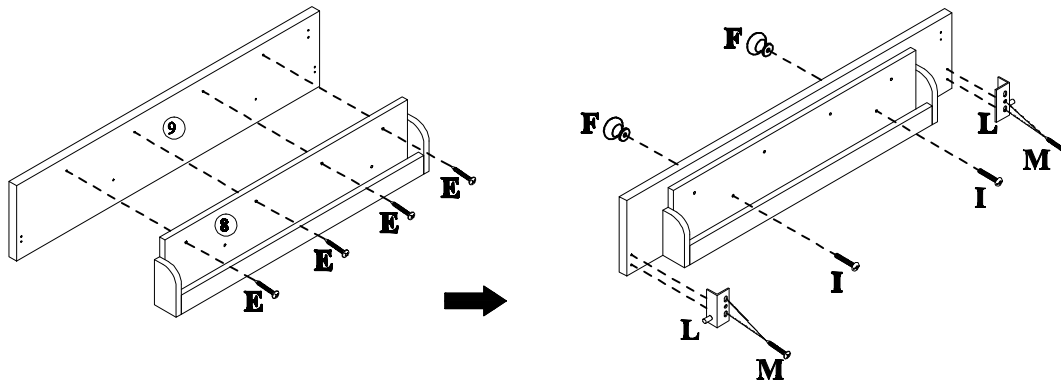
No	Hardware	Q'ty
D	Cam Lock	3
R	Wooden ø8x30mm	2

Step 3



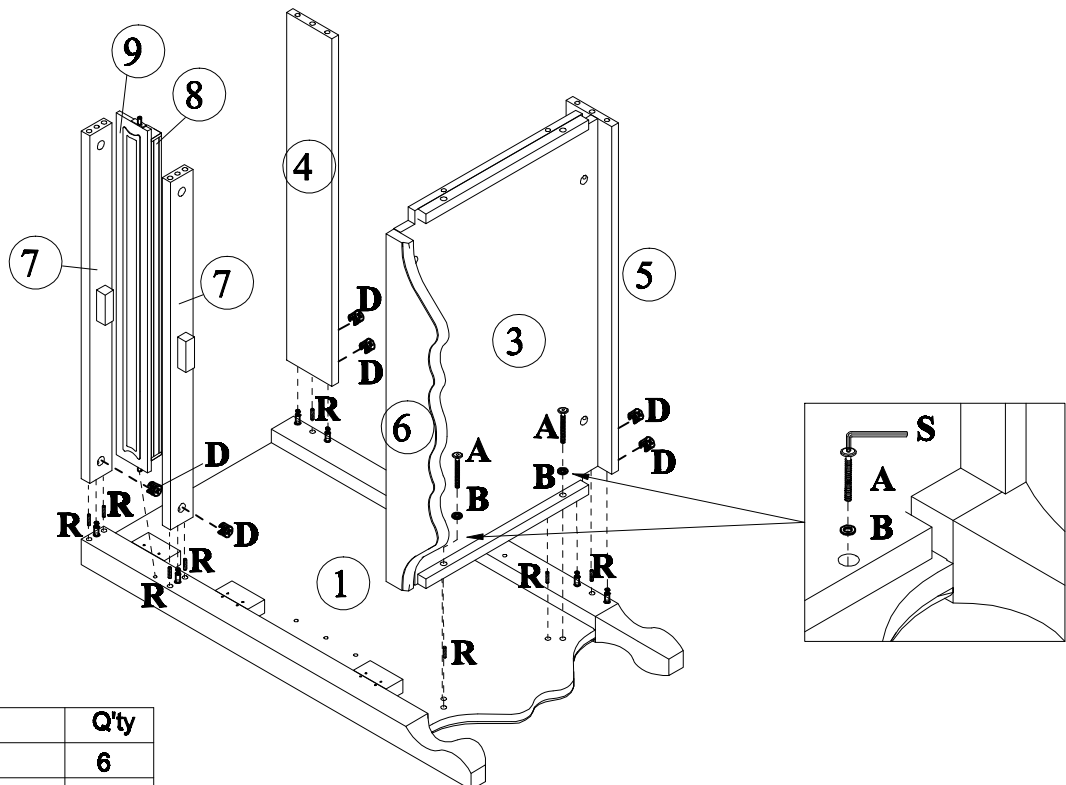
No	Hardware	Q'ty
D	Cam Lock	2
R	Wooden ø8x30mm	2

Step 4



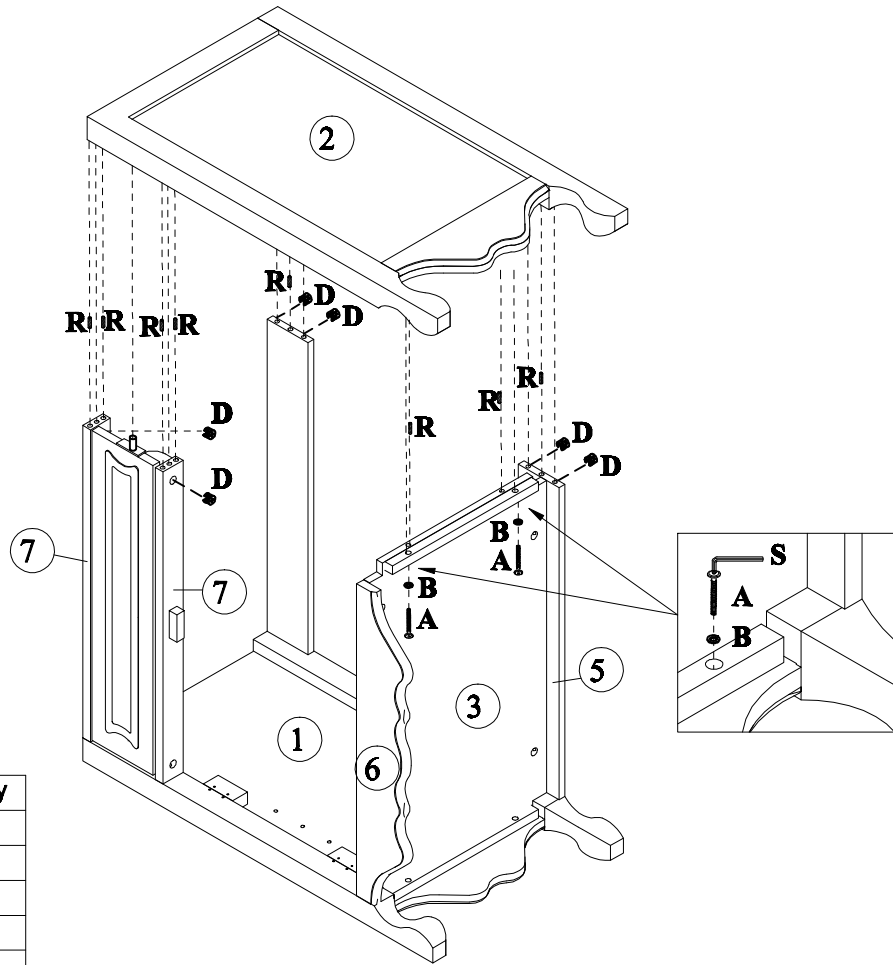
No	Hardware	Qty
F	Handle	2
L	Swivel Hinges (L/R)	2
M	Screws $\phi 6 \times \phi 3 \times 12 \text{mm}$	4
E	Screws $\phi 8 \times \phi 4 \times 19 \text{mm}$	4
I	Screws $\phi 5/32'' \times 22 \text{mm}$	2

Step 5



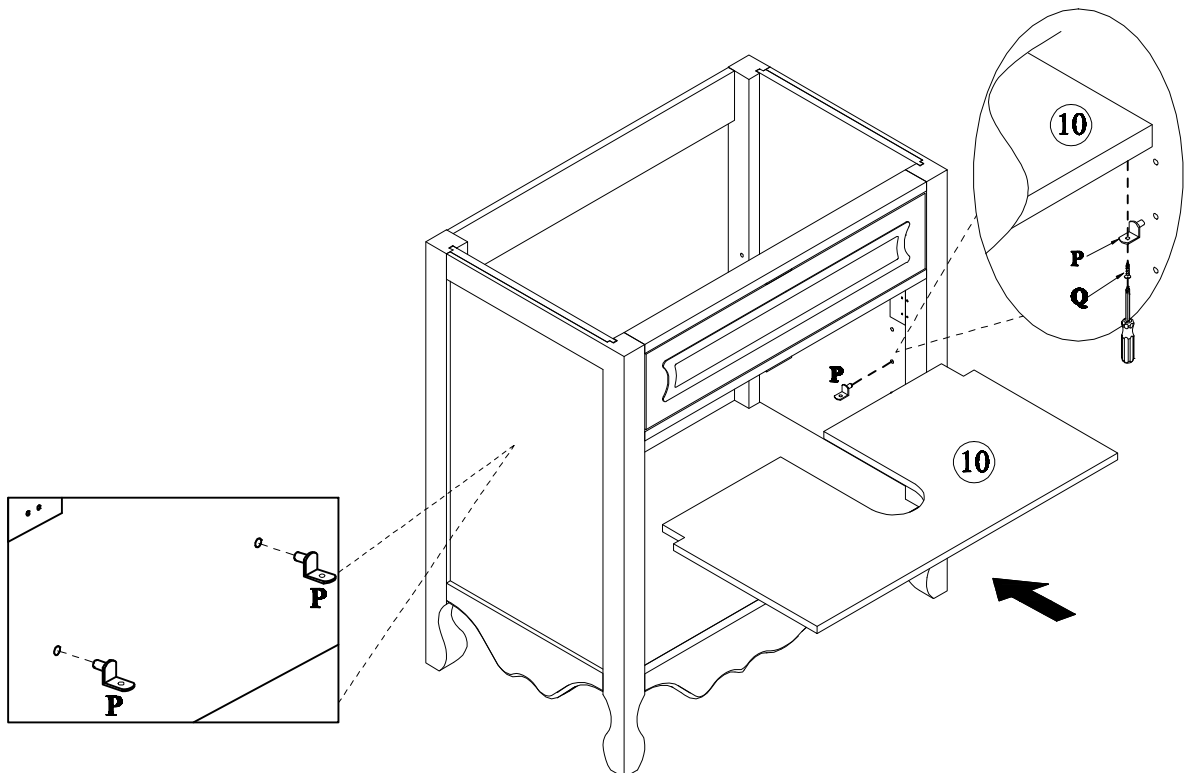
No	Hardware	Qty
D	Cam Lock	6
R	Wooden $\phi 8 \times 30 \text{mm}$	8
A	Allen Bolts $1/4'' \times 30$	2
B	Flat Washers $1/4'' \times 16 \times 1$	2
S	Allen key	1

Step 6



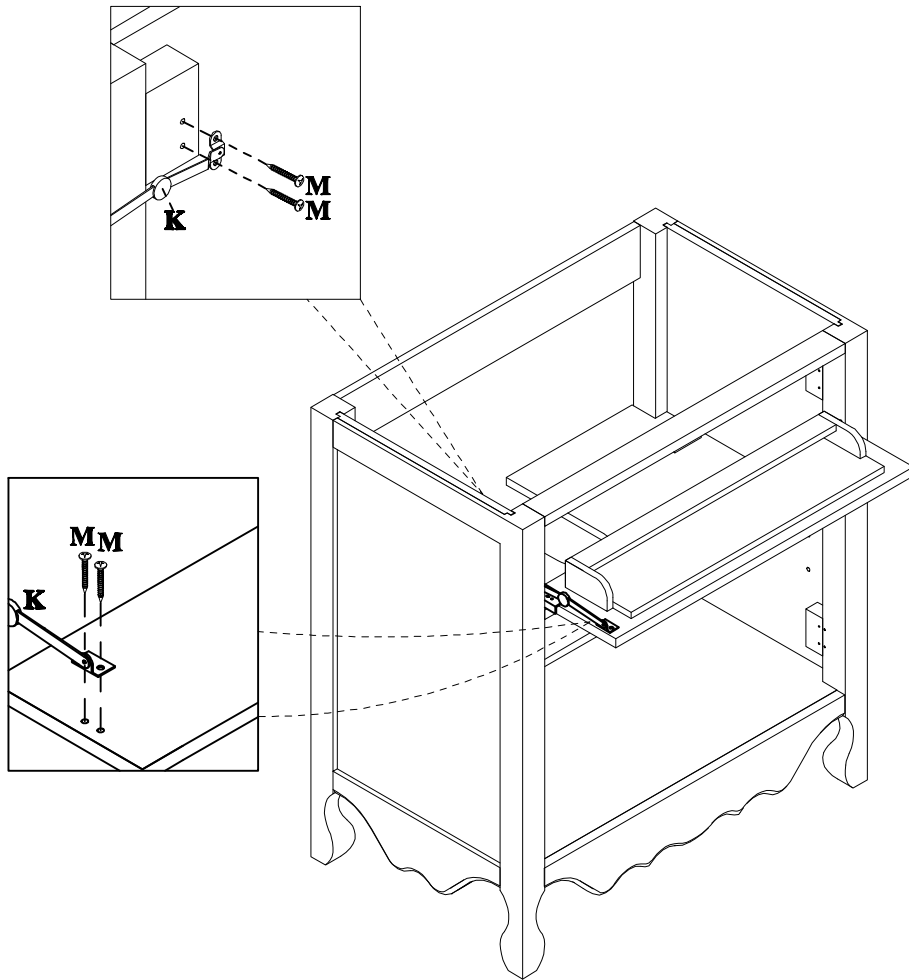
No	Hardware	Q'ty
D	Cam Lock	6
R	Wooden $\varnothing 8 \times 30 \text{mm}$	8
A	Allen Bolts $1/4" \times 30$	2
B	Flat Washers $1/4" \times 16 \times 1$	2
S	Allen key	1

Step 7



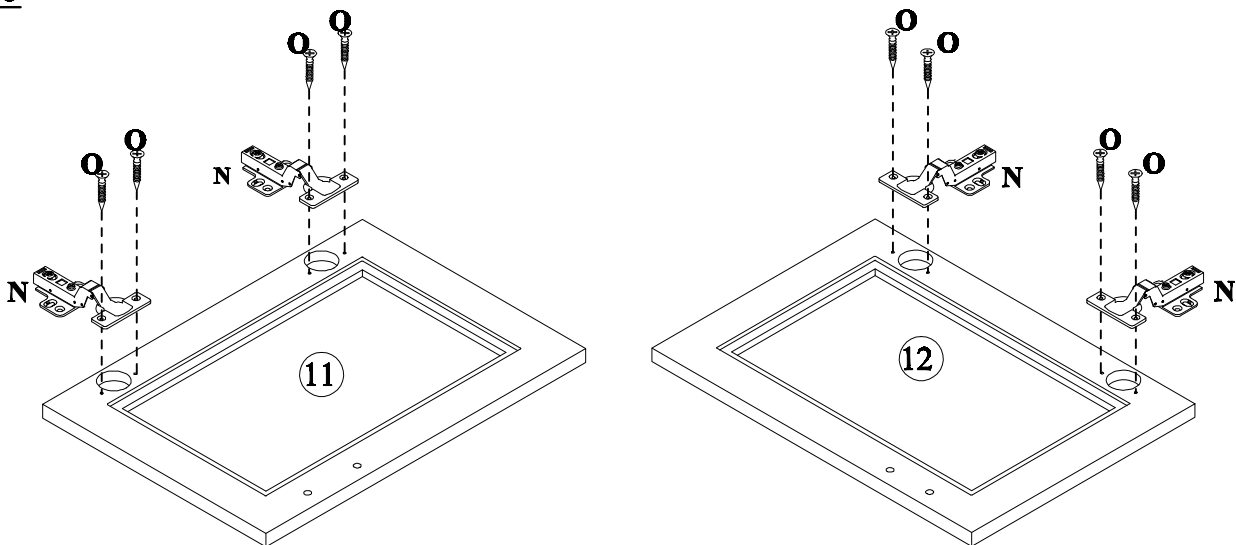
No	Hardware	Q'ty
P	Shelf Support	4
Q	Screws $\varnothing 7 \times \varnothing 3.5 \times 12 \text{mm}$	4

Step 8



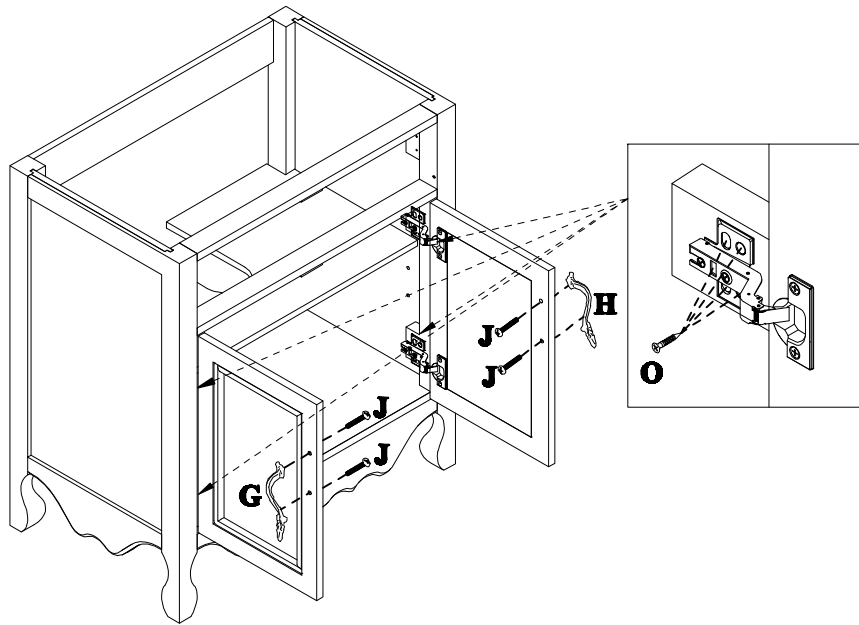
No	Hardware	Q'ty
K	Rod Support hinges - Left	1
M	Screws $\varnothing 6 \times 3 \times 12 \text{mm}$	4

Step 9



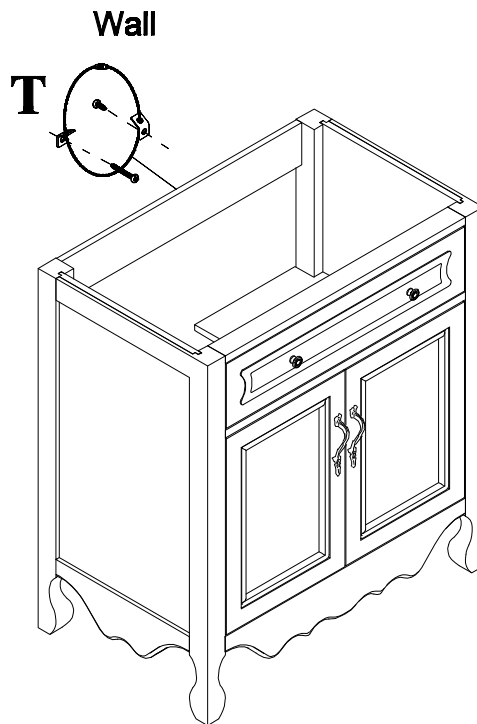
No	Hardware	Q'ty
N	Hinges	4
O	Screws $\varnothing 7 \times 3.5 \times 15 \text{mm}$	8

Step 10



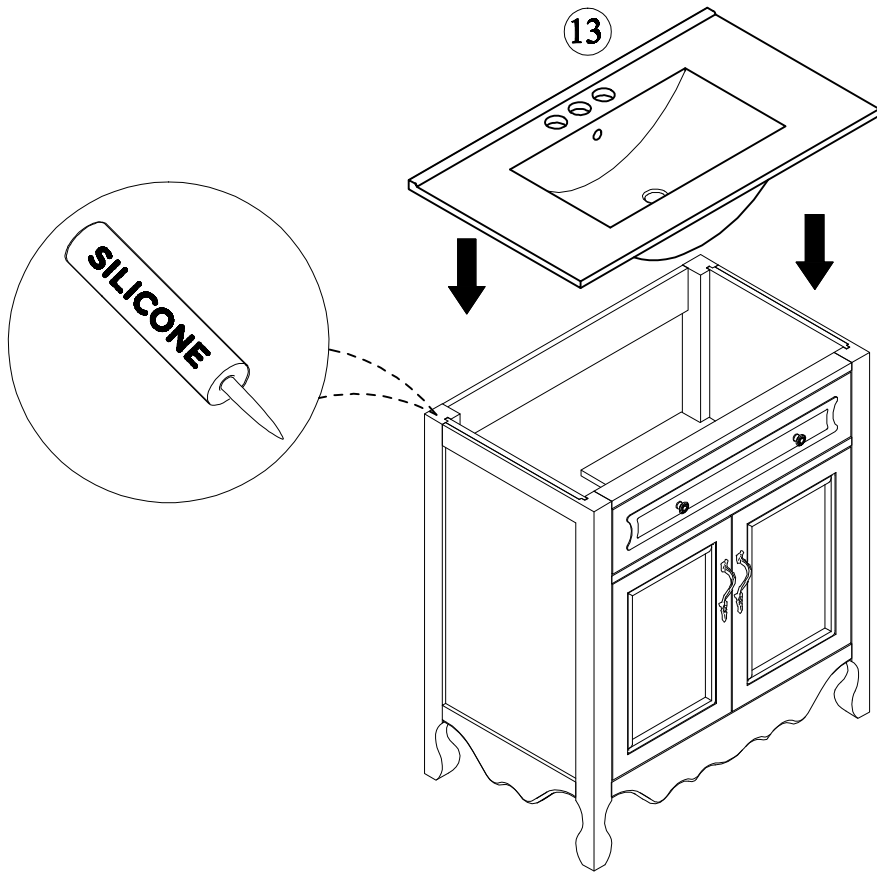
No	Hardware	Q'ty
O	Screws $\varnothing 7 \times \varnothing 3.5 \times 15 \text{mm}$	16
G	Handle-Left	1
H	Handle-Right	1
J	Screws $\varnothing 5/32" \times 10 \text{mm}$	4

Step 11



No	Hardware	Q'ty
T	Anti fall hardware	1

Step 12



Step 13

