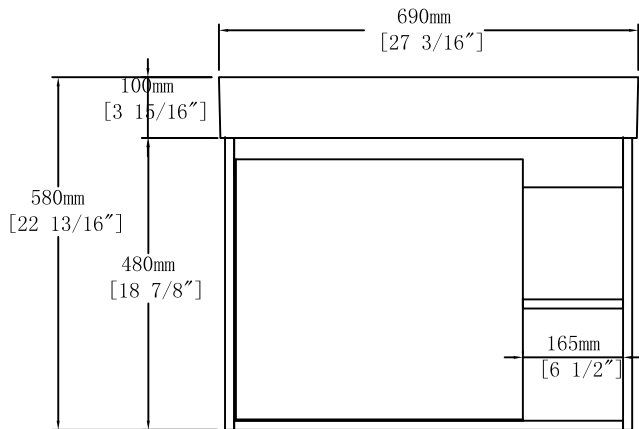
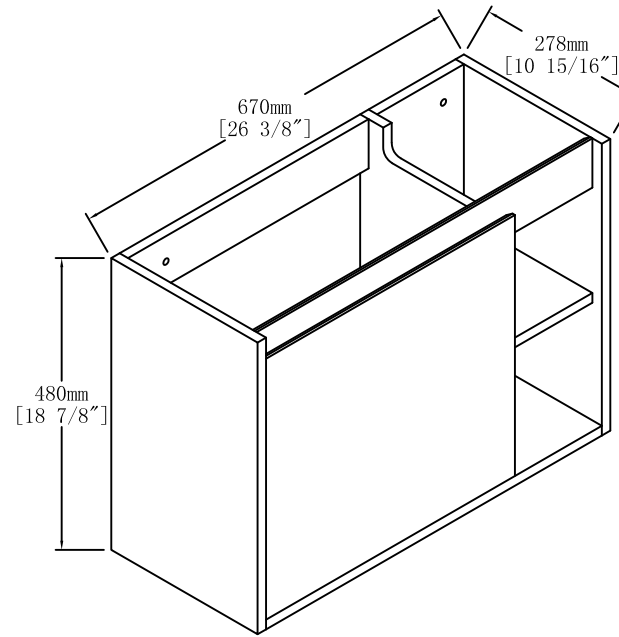
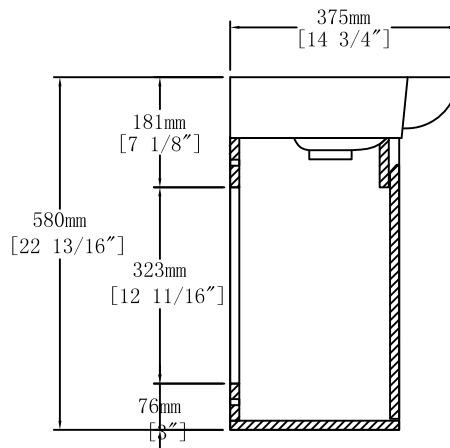


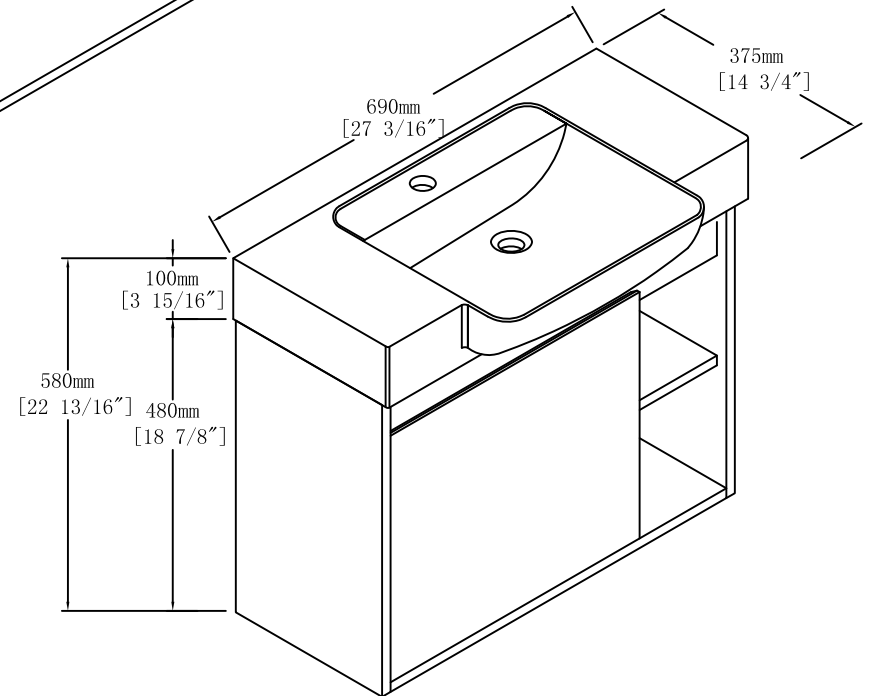
Top View



Front View



Side View



Item NO.

BV C11328

Version

V1

Project

Date

2024-11-30