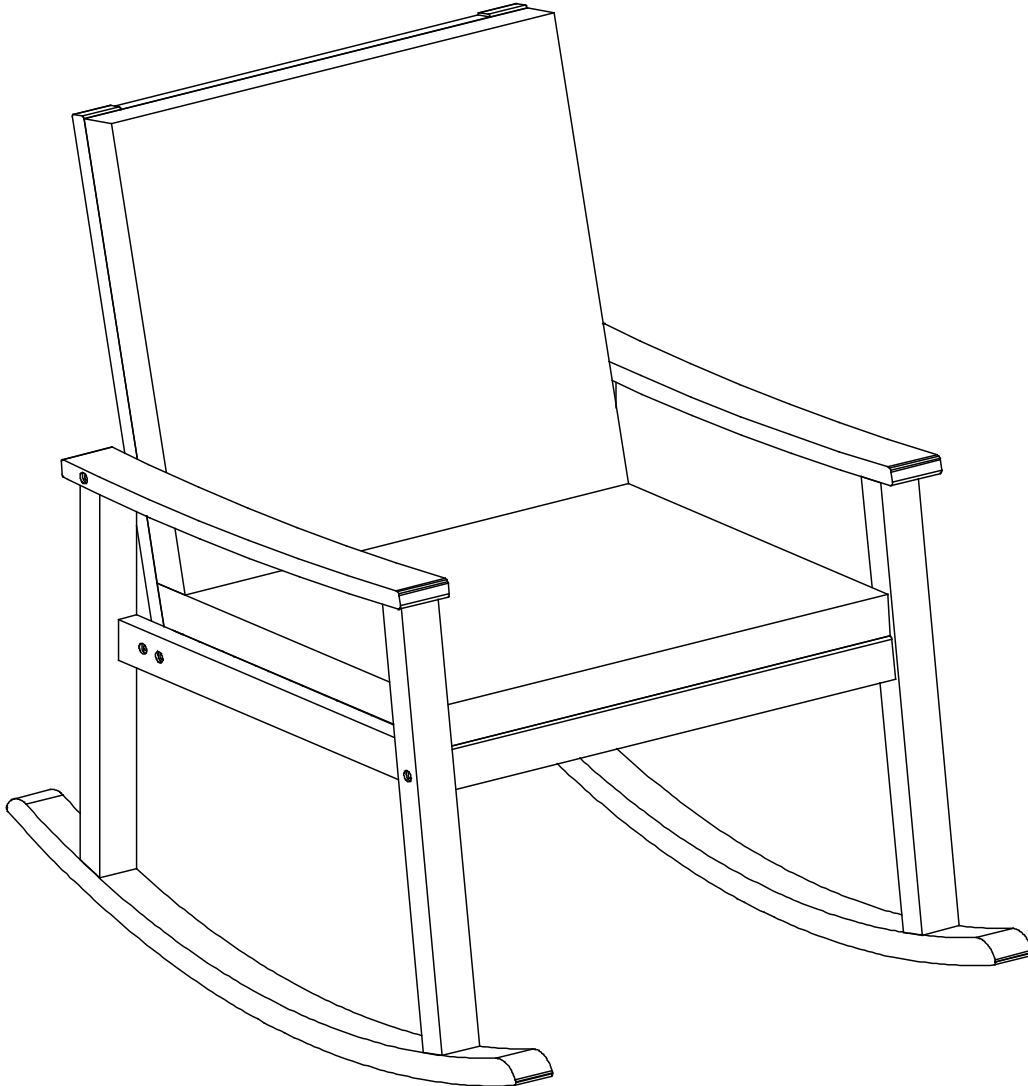


Assembly Instructions

Caution : You must read this before you proceed

Please look in the Seat Panel for hardware packs.

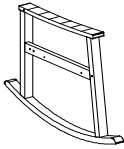
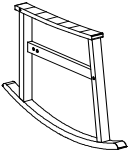
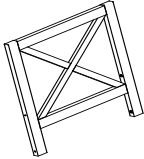
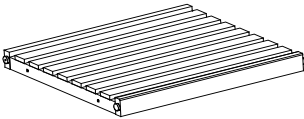

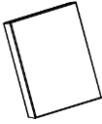
ROCKING CHAIR



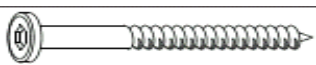




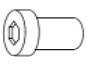

CAUTION : This Chair is NOT a TOY. Keep your child / children at bay in the process of assembly.

For turning the chair and to prevent damage to the Table, 02 persons may be needed to execute this action

Parts List

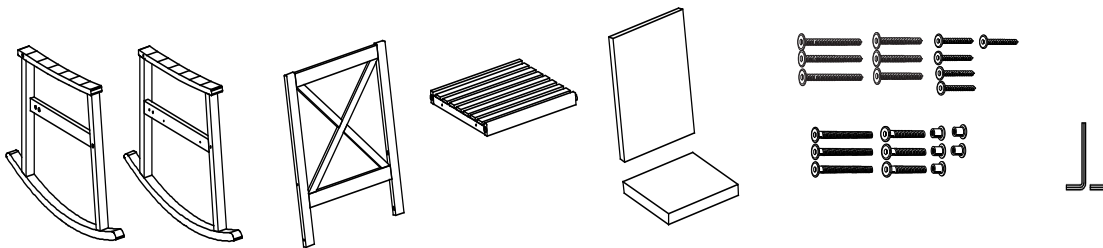
Label	Picture	Description	QTY
A		Left Arm with Leg Panel	1
B		Right Arm with Leg Panel	1
C		Backrest Panel	1
D		Seat Panel	1
E		Seat Cushion	1
F		Back Cushion	1






Hardware

No.	Picture	Description	Qty
①		Long Screw M6x80mm	3
②		Medium Screw M6x60mm	3
③		Short Screw M6x35mm	5
④		Short Bolts M6x55mm	3
⑤		Long Bolts M6x95mm	3
⑥		Sleeve Nut M6x15mm	5
⑦		Allen Key	2

Assembly Preparation

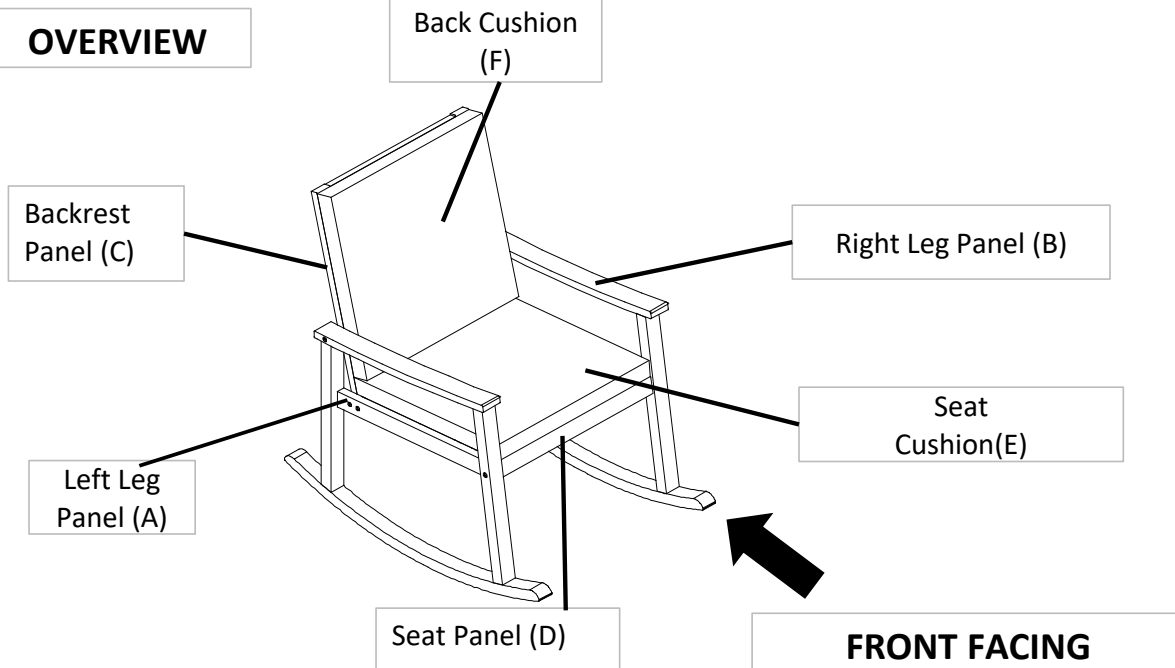
Before Beginning Assembly:



-  • Read instructions, cover to cover-
-  • Have 2 adults on hand for assembly-
-  • Do not assemble on flooring or carpet-
-  • Assemble on a clean non-marring surface (packing foam)-
-  • Save all packaging until finished-

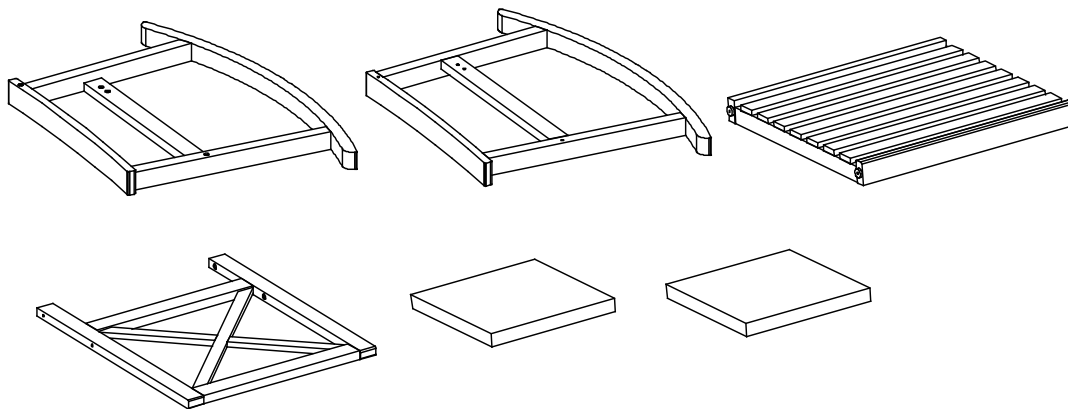
Assembly Steps

OVERVIEW



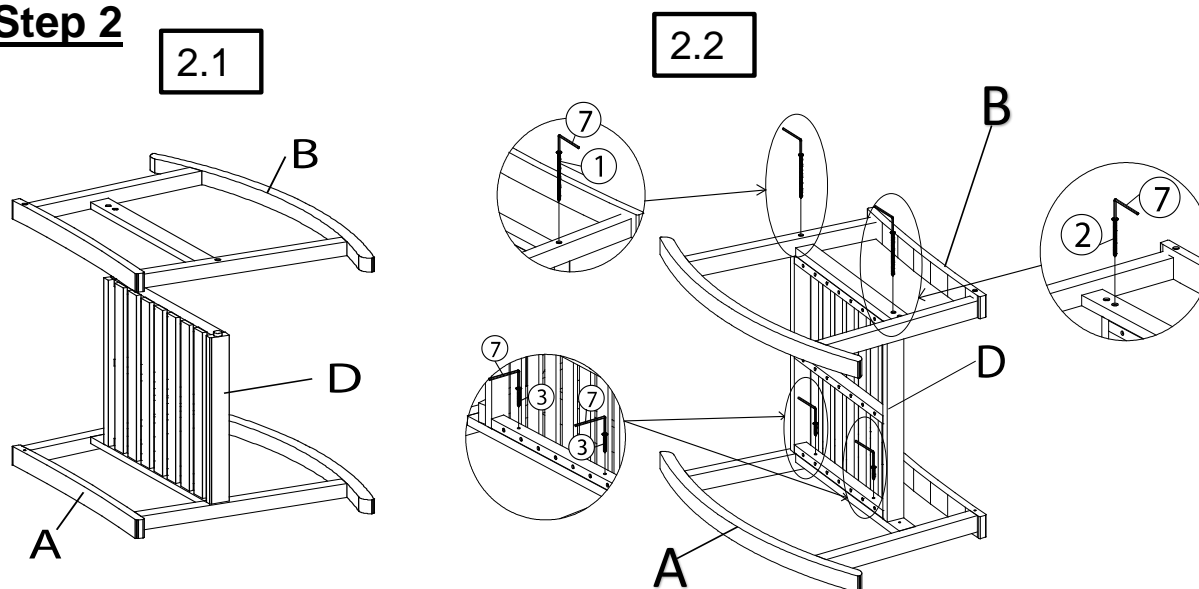
This Chair has multiple parts and may require up to some 30 minutes to assemble. To give you an overview of the Chair, the above picture is to help you put the various parts into perspective. Please read through the instructions here below to familiarise the parts and steps before assembly.

Step 1



Unpack and place all parts on a clean, non-marring surface.

Step 2



2.1) Position Seat Panel (D) to **Left Leg Panel (A)**

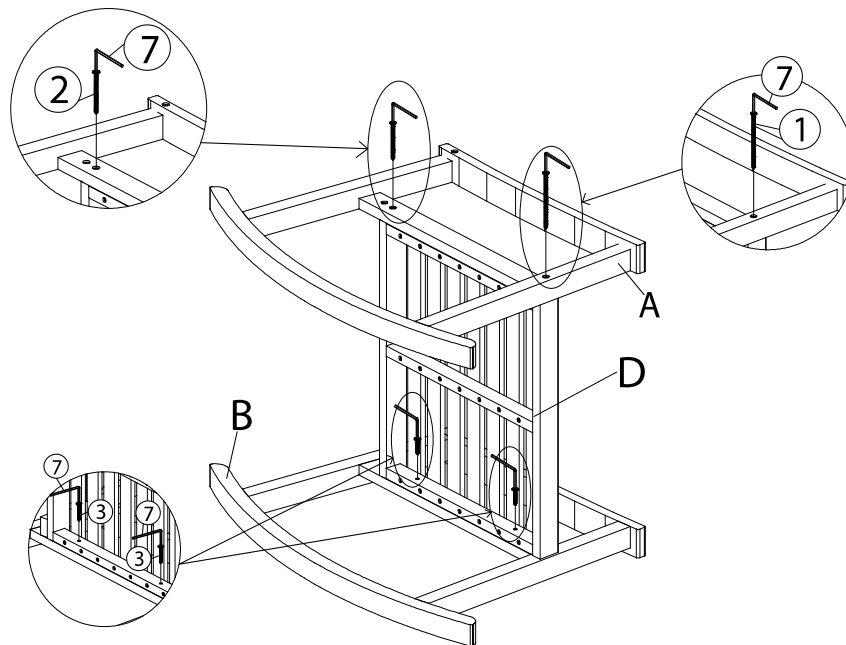
Then position **Right Leg Panel (B)** onto Seat Panel (D) as shown in picture above

2.2) Secure Right Leg Panel (B) to Seat Panel (D) by using Screw (①) , (②) and Allen Key (⑦)

Then, secure Seat Panel (D) to Left Leg (A) by using Screw ③ and Allen Key (⑦).

Do not fully tighten the Screws.

Step 3

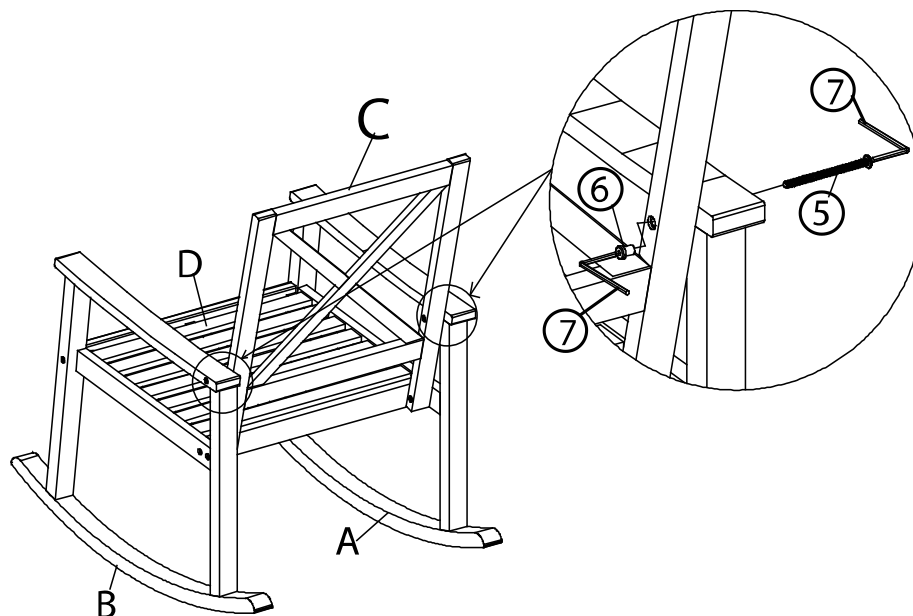


With assistance from your adult partners, turn the Chair into the other side. Repeat the same process of step 2 to secure Left Leg Panel (A) with Seat Panel (D) by using Screw (①), (②), and Allen Key (⑦).

Then secure Seat Panel (D) to Right Leg Panel (B) by using Screw (③) and Allen Key (⑦).

Do not fully tighten the Screws.

Step 4

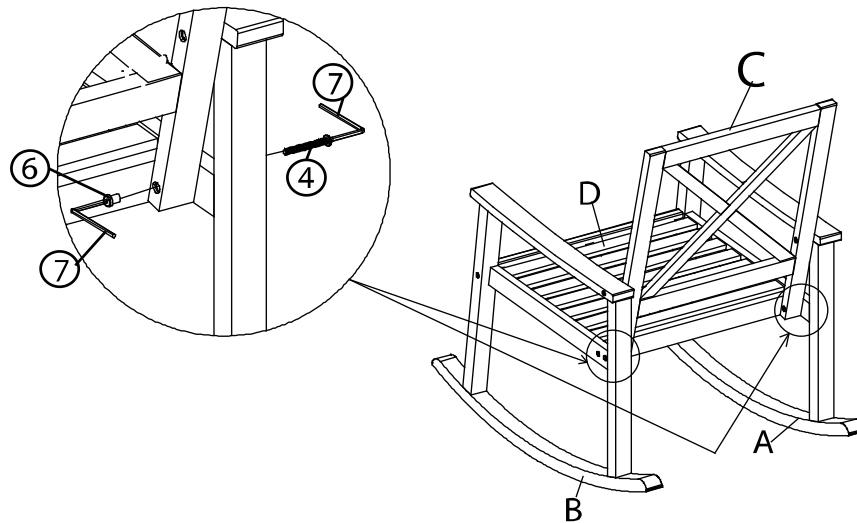


Turn the Chair right side up.

Position Backrest Panel (C) to Leg Panels (A & B) as the picture above. Secure Leg Panels (A), (B) to Backrest Panel (C) by using Long Bolts (⑤) & Sleeve Nuts (⑥) and Allen Key (⑦).

Do not fully tighten the Screws.

Step 5

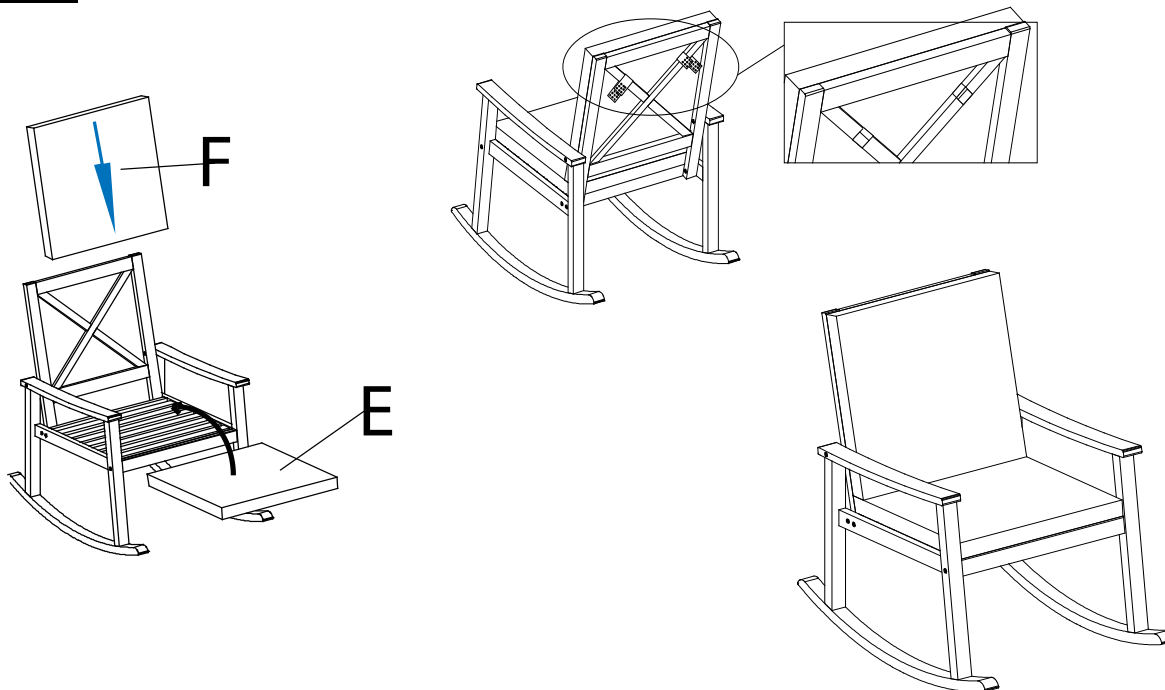


Turn the Chair right side up.

Position Backrest Panel (C) to Leg Panels (A & B) as the picture above
Secure Leg Panels (A), (B) to Backrest Panel (C) by using Short Bolts (④), &
Sleeve Nuts (⑥) and Allen Key (⑦)

Do not fully tighten the Screws.

Step 6



Inspect the Chair and make sure all parts are connected.


Place Back Cushion (F) and Seat Cushion (E) onto the Chair

Tie the velcro straps of Back Cushion (F) to Backrest Panel (C) and Seat
Cushion (E) to Seat Panel (D).

Your Chair is ready for use.

This Chair can only be used on a flat, level surface.

Care & Maintenance

-   ● Do not put hot items directly on furniture surface
 -   ● Do not clean furniture with harsh cleansers or polish.
 -   ● To obtain the longest lifespan of your outdoor products, minimizing exposure to direct sunlight is recommended.
 -   ● Children should not climb or jump on the furniture.
 -   ● Do not write on furniture without a padded barrier to protect the surface.
 -   ● To obtain the longest lifespan of your outdoor products, avoid extended and lengthy exposure to rain, snow, and direct sunshine. Whenever possible cover the product and /or place under patio or awnings.
 -   ● Not for commercial use. For residential use only .
 -   ● Stains may be removed with mild soap solution and damp cloth .
-
-   ● Dust and pick-up spills using a clean, non-colored, lint-free cloth .