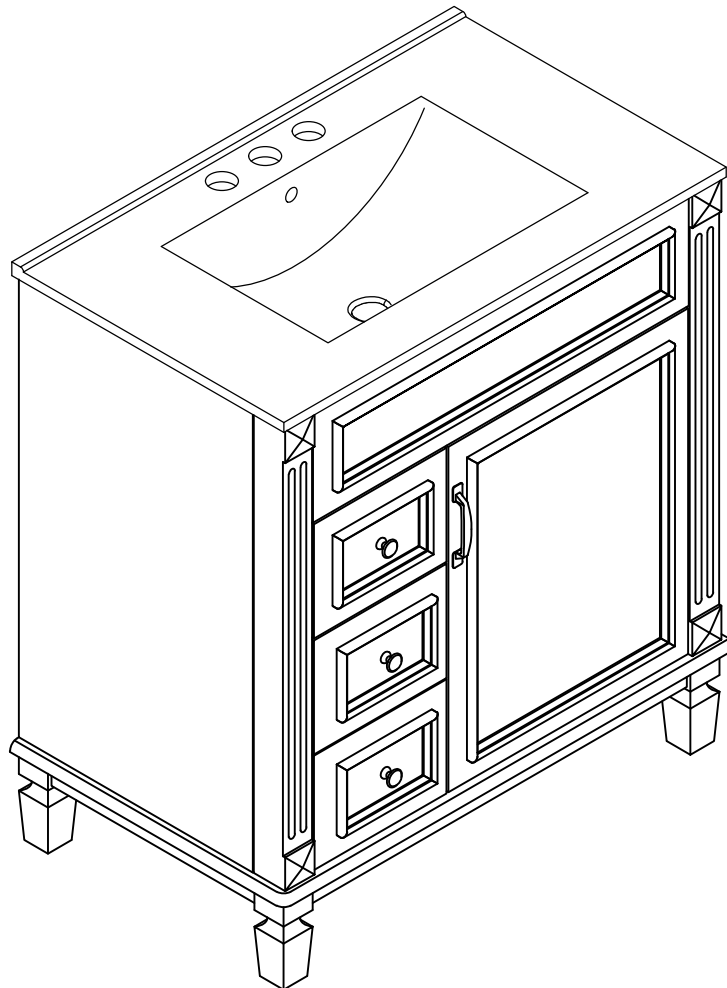


ASSEMBLY INSTRUCTIONS

30" BATHROOM VANITY

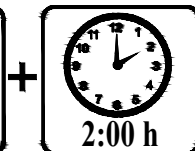
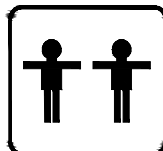
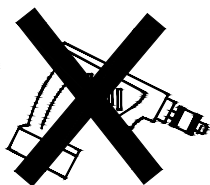


Thank you for purchasing this quality product. Be sure to check all pack material carefully for small parts which may have come loose inside the carton during shipment. Separate, identify and count all parts and hardware.

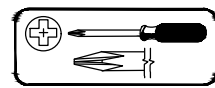
Compare with the parts list to be sure all parts are present.

"DO NOT TIGHTEN SCREWS UNTIL COMPLETELY ASSEMBLED"

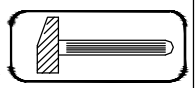
▲
*Use of power tool to assemble this product will invalidate any claim and damage this product making unsafe !!!
*Please assemble on a clean soft surface to avoid damage.



Tools Required



(Not included)



(Not included)

IMPORTANT:

PLEASE READ INSTRUCTION BEFORE STARTING THE ASSEMBLY

Thank you for buying our products.

Please read the installation manual carefully before installation,

we need you to follow the instructions on the accessories and hardware

step by step assembly complete, our instructions are very detailed.

Products are environmentally friendly products,

Please rest assured that you do not soak in water, do not place very heavy items,

do not malicious push and pull,

if you have any problems in the process of assembly and use, please contact us.

Thank you again for your purchase of our products,

I wish you a happy life.

Before Installation

Important – Please read these instructions fully before starting assembly

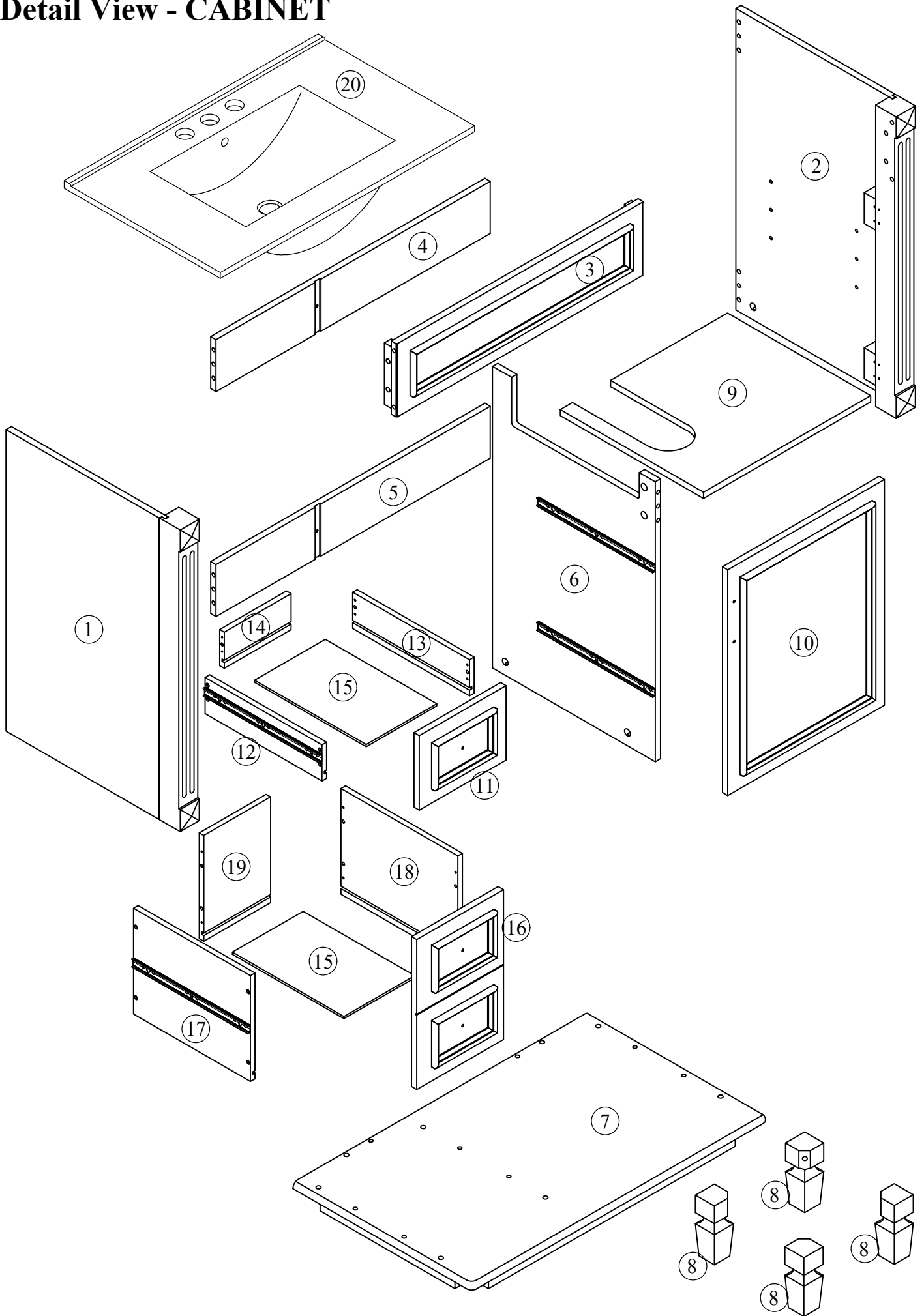
Thank you for purchasing this quality product. Be sure to check all packing materials carefully for small parts, which may have come loose inside the carton during shipment. Identify and count all items according to the PARTS LIST and/or HARDWARE LIST shown below. Check you have all the components and tools listed on the following pages.

- We recommend that you assemble this product with the assistance of another person; this will make the assembly easier, and will help eliminate damage to the product or injury to persons during assembly.
- Please do not over tighten screws or bolts until the assembly is completed.
- Keep children and animal away from the work area, small parts could choke if swallowed.
- Please put all parts on a non-abrasive floor before assembly, and follow the assembly steps to assemble your newly purchased product correctly and efficiently.

Cam Lock Assembly Instructions

	<p>Diagram A</p>	<p>Insert Cam Bolt into hole as shown in diagram A.</p>
	<p>Diagram B</p>	<p>Make sure not to insert the Cam Bolt: Too deep as shown in figure B as this will cause the Cam Lock to be misaligned and unable to interlock properly.</p>
	<p>Diagram C</p>	<p>Also avoid inserting the Cam Bolt too close to the surface of the hole as shown in figure C, as this will cause the Cam Lock to be too loose, and not interlock properly.</p>
		<p>Connect the panels together.</p>
	<p>ARROW SIGN</p>	<p>Insert the Cam Lock so the side opening fits over the head of the Cam Bolt.</p>
		<p>To tighten the Cam Lock, turn it clockwise on half a turn with a flat screwdriver. <i>*Do not use an automatic screwdriver as it may bend or break if too much power is imposed.</i></p>

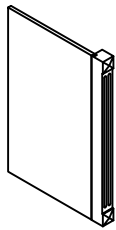
Detail View - CABINET



Identifying the Hardware -Identify the hardware using the illustrations below.

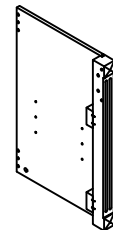
Part List

1



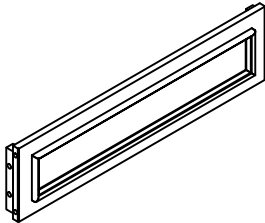
Side Panel (L) - 1pc

2



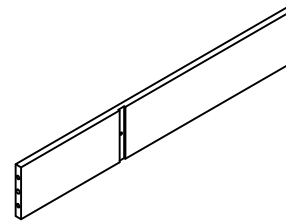
Side Panel (R) - 1pc

3



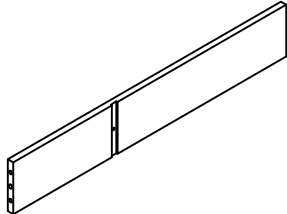
Top Panel Front - 1pc

4



Top Rear Panel - 1pc

5



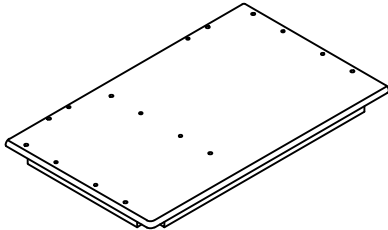
Bottom Rear Panel - 1pc

6



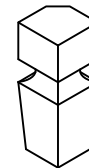
Mid Panel - 1pc

7



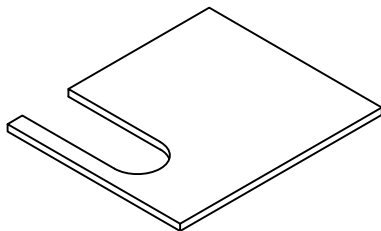
Base Frame - 1pc

8



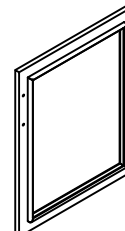
Cabinet Foot - 4pcs

9



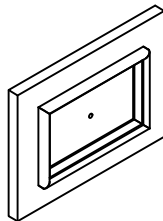
Adjustable Shelf - 1pc

10



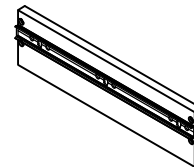
Cabinet Door - 1pc

11



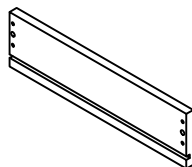
Top Drawer Face - 1pc

12



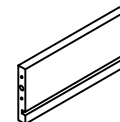
Top Drawer Side Panel (L) - 1pc

13



Top Drawer Side Panel (R) - 1pc

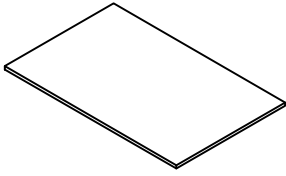
14



Top Drawer Back Panel - 1pc

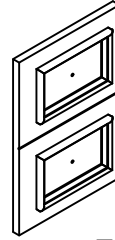
Part List

15



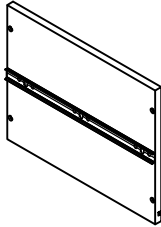
Bottom Drawer Panel - 2pcs

16



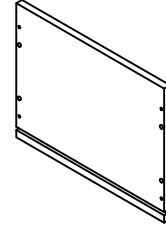
Bottom Drawer Face - 1pc

17



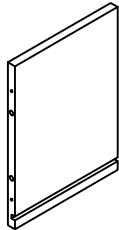
Bottom Drawer Side Panel (L) - 1pc

18



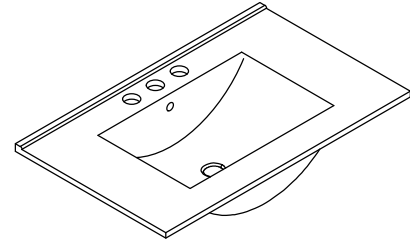
Bottom Drawer Side Panel (R) - 1pc

19









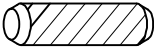

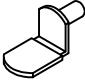
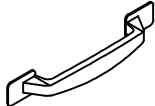
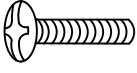

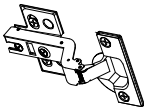
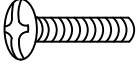



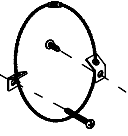
Bottom Drawer Back Panel - 1pc

20



Sink - 1pc

Hardware List

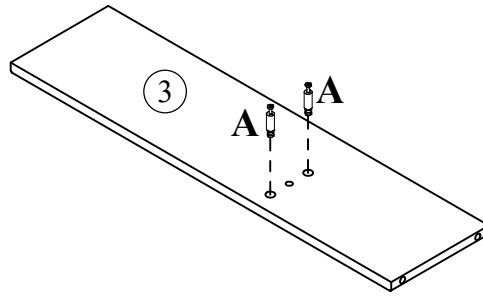
<p>A</p>  <p>ø6x35mm</p> <p>Three in one bolts - 18pcs</p>	<p>B</p>  <p>ø14.5x12mm</p> <p>Three in one lock - 18pcs</p>	<p>C</p>  <p>ø13x1/4"x40mm</p> <p>Hex-Head bolts(8pcs)</p>
<p>D</p>  <p>ø1/4"x10x1.2mm</p> <p>Lock Washer - 8pcs</p>	<p>E</p>  <p>ø1/4"x16x1mm</p> <p>Washer(8pcs)</p>	<p>F</p>  <p>4mm</p> <p>Allen key - 1pc</p>
<p>G</p>  <p>ø8x30mm</p> <p>Wood dowel - 17pcs</p>	<p>H</p>  <p>ø8xø4x25mm</p> <p>Round head screw - 2pcs</p>	<p>I</p>  <p>Laminate pad - 4pcs</p>
<p>J</p>  <p>Handle (1pc)</p>	<p>K</p>  <p>ø5/32"x18mm</p> <p>Handle screw - 2pcs</p>	<p>L</p>  <p>ø7xø3.5x12mm</p> <p>Flat head screw - 12pcs</p>
<p>M</p>  <p>Damping hinge - 2pcs</p>	<p>N</p>  <p>ø5/32"x38mm</p> <p>Handle screw - 3pcs</p>	<p>O</p>  <p>Handle - 3pcs</p>
<p>P</p>  <p>ø6x30mm</p> <p>Wood dowel - 12pcs</p>	<p>Q</p>  <p>ø8xø4x32mm</p> <p>Round head screw - 16pcs</p>	<p>R</p>  <p>Anti fall hardware (2sets)</p>

STEP: 1

A



2PCS



STEP: 2

B



2PCS

G

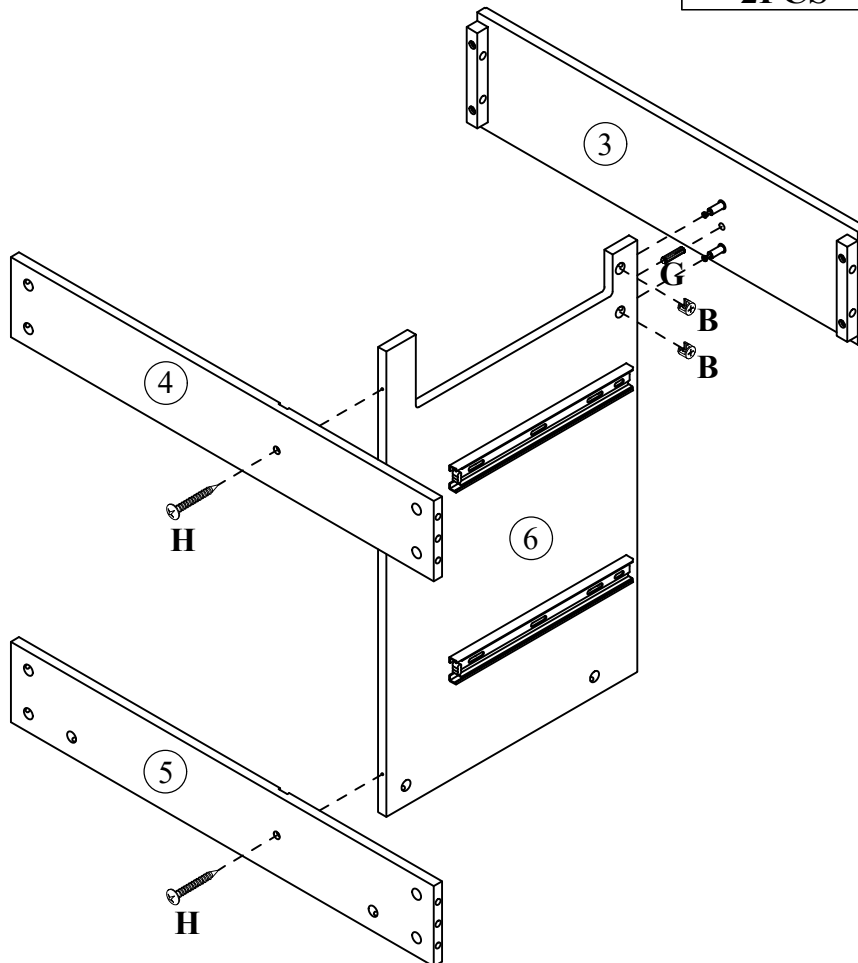


1PC

H

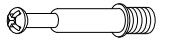


2PCS

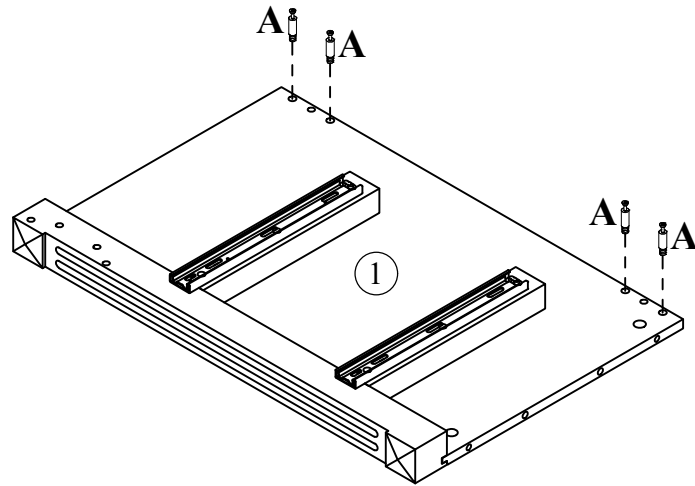


STEP: 3

A

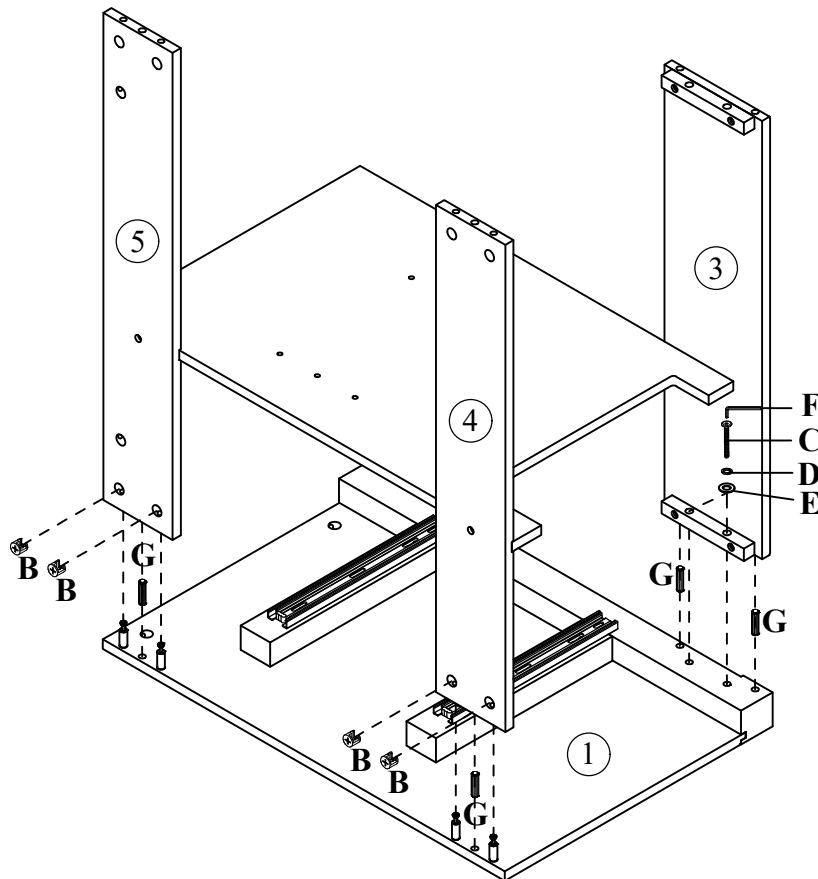


4PCS

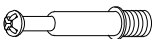


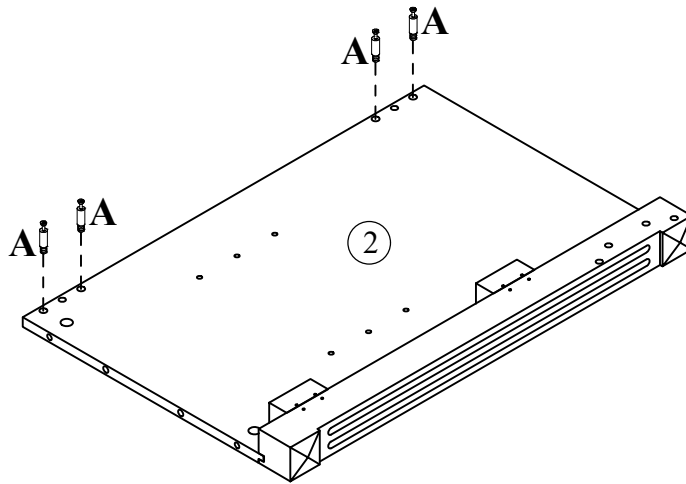
STEP: 4

G	F	E	D	C	B
4PCS	1PC	2PCS	2PCS	2PCS	4PCS









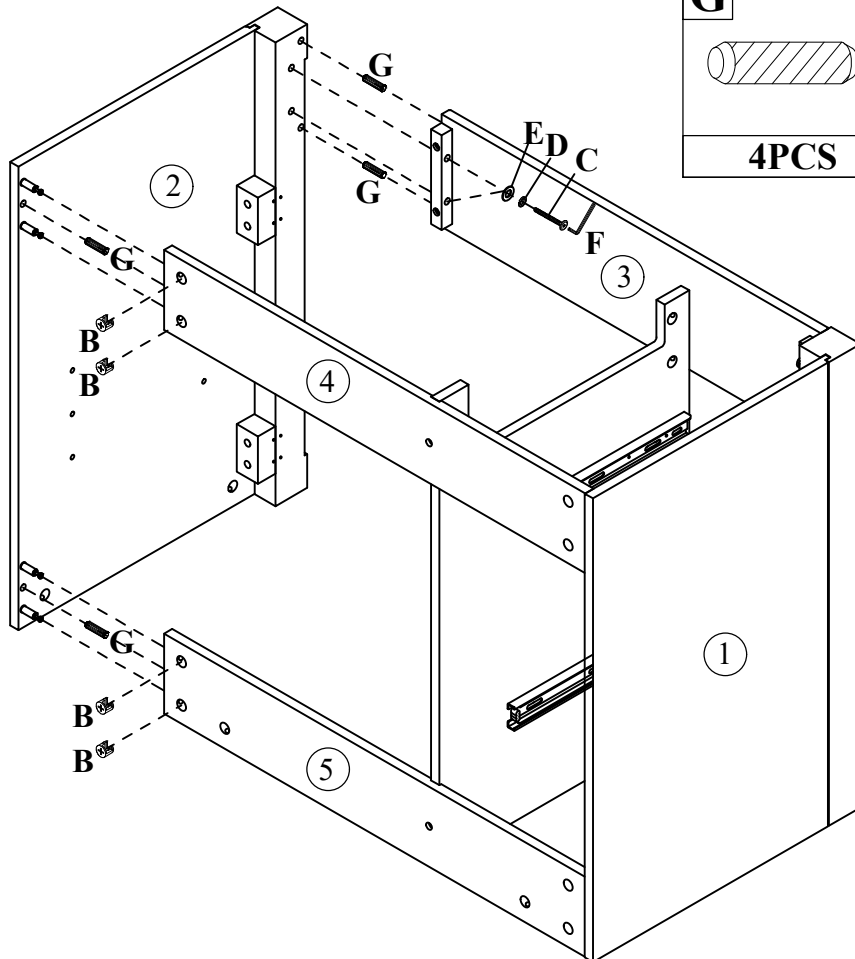
STEP: 5

A	
4PCS	







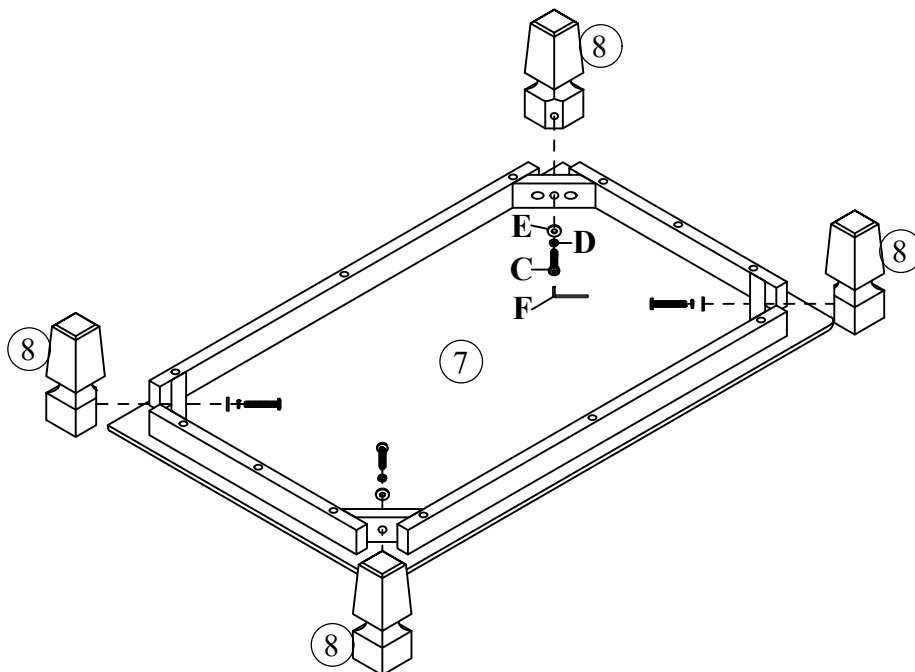
STEP: 6

D		C		B	
2PCS		2PCS		4PCS	
G		F		E	
4PCS		1PC		2PCS	

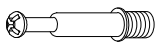


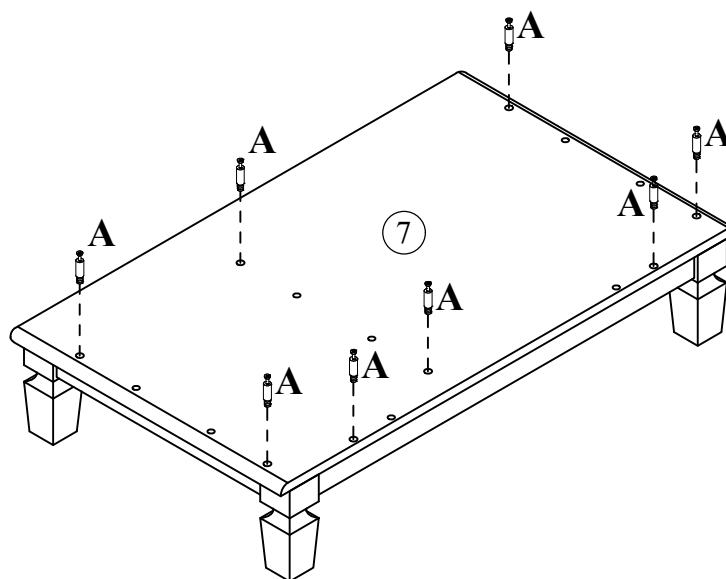
STEP: 7

F 	E 	D 	C 
1PC	4PCS	4PCS	4PCS


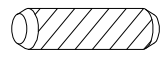


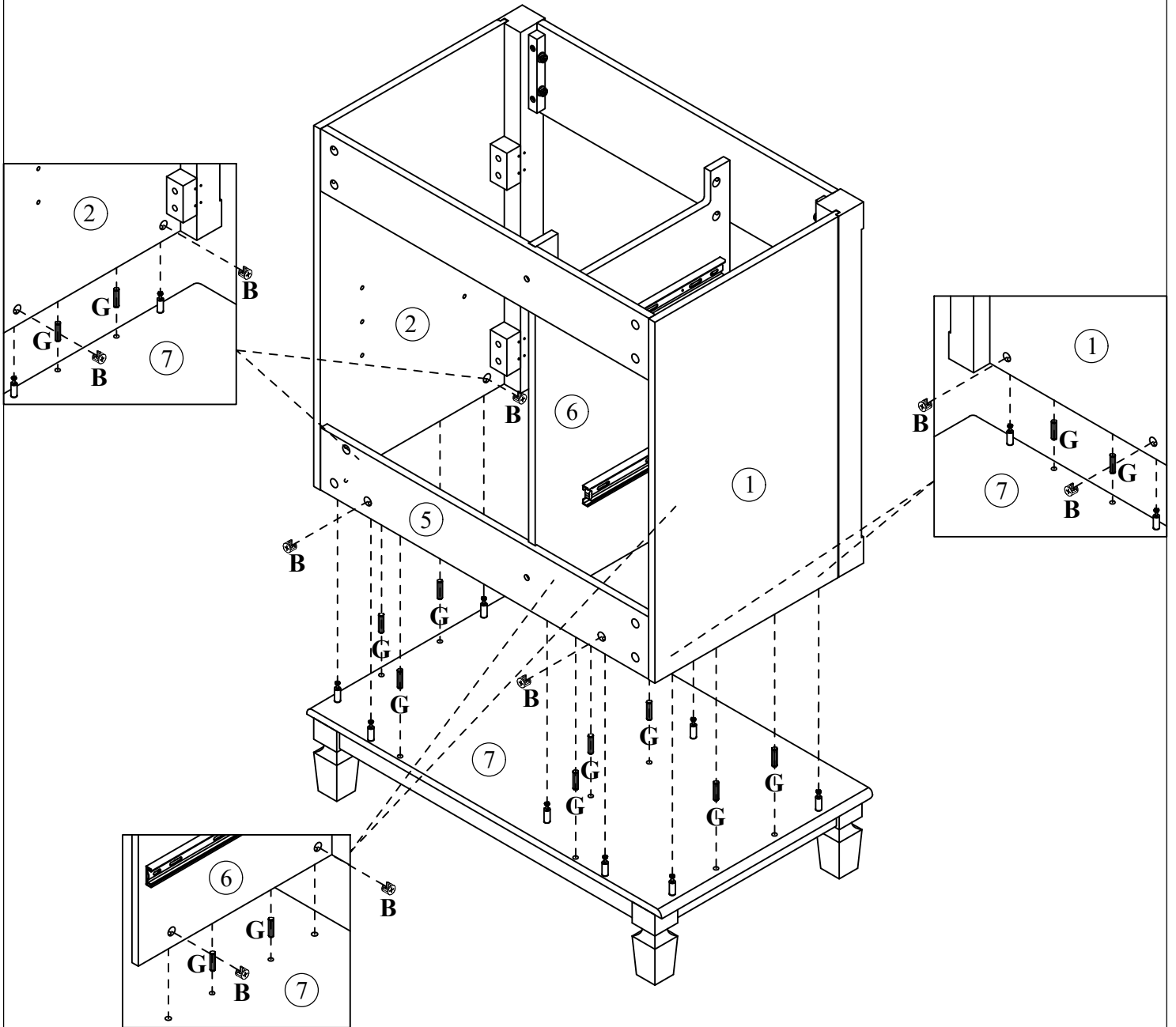
STEP: 8

A 
8PCS

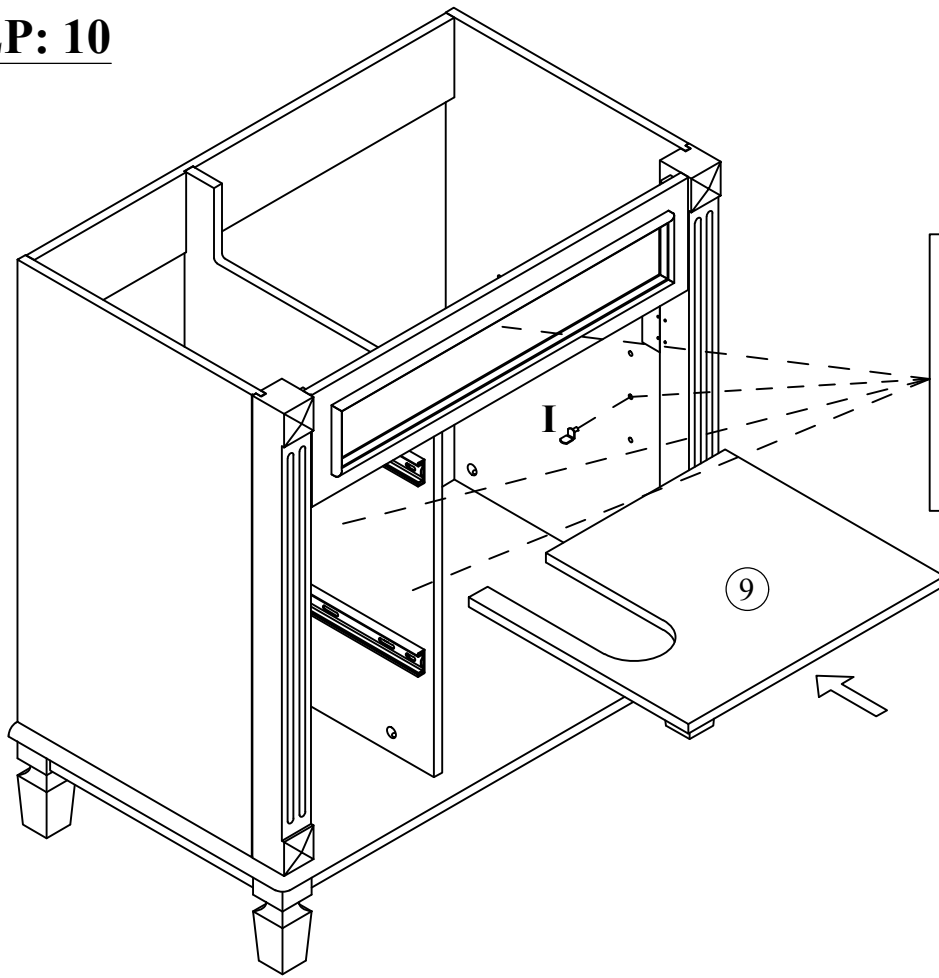


STEP: 9

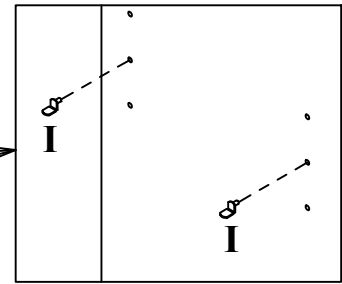
B		G	
8PCS		8PCS	



STEP: 10

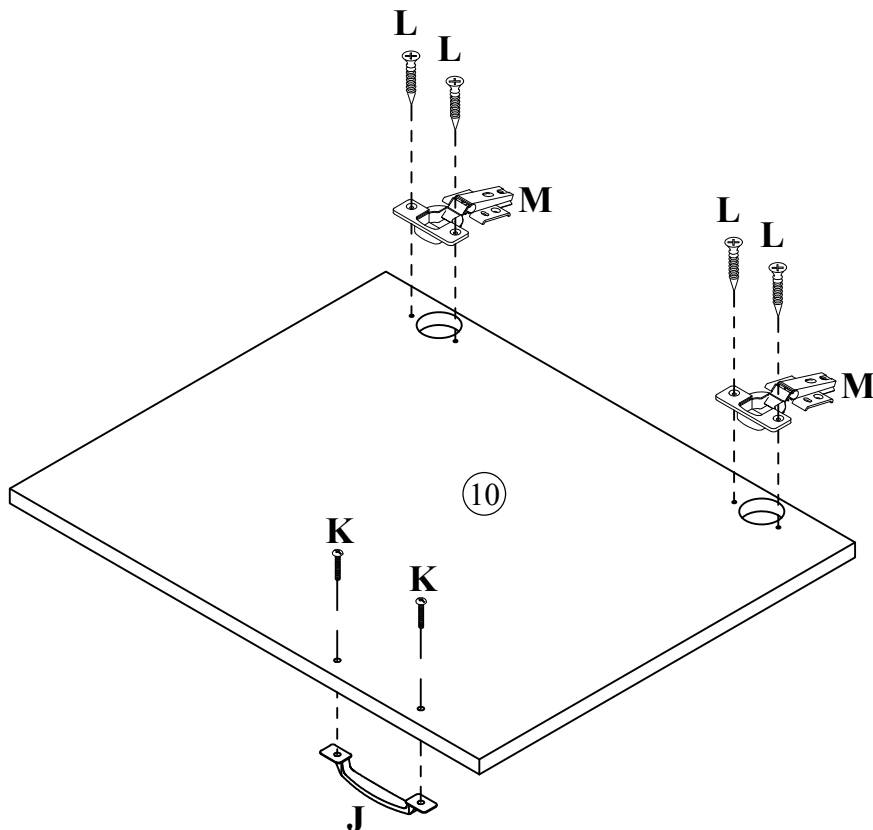


I	
4PCS	

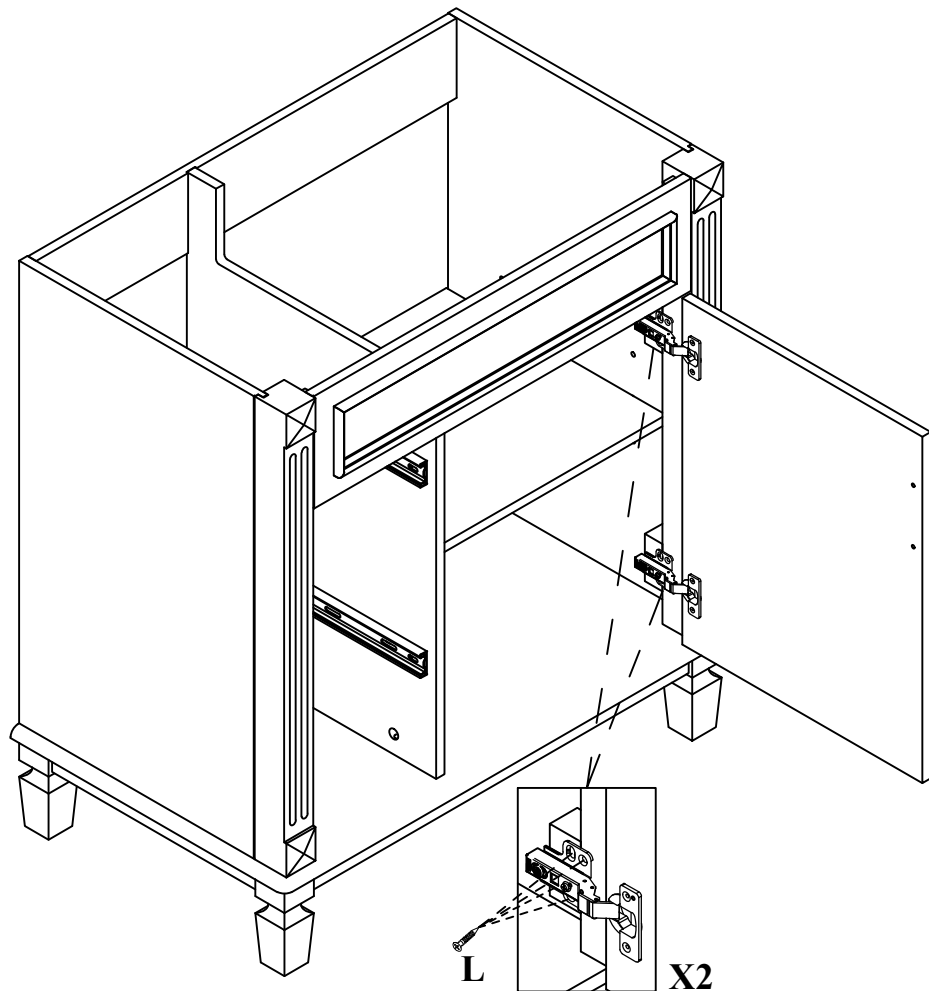


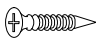
STEP: 11

M		L		K		J	
2PCS		4PCS		2PCS		1PC	




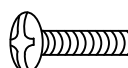


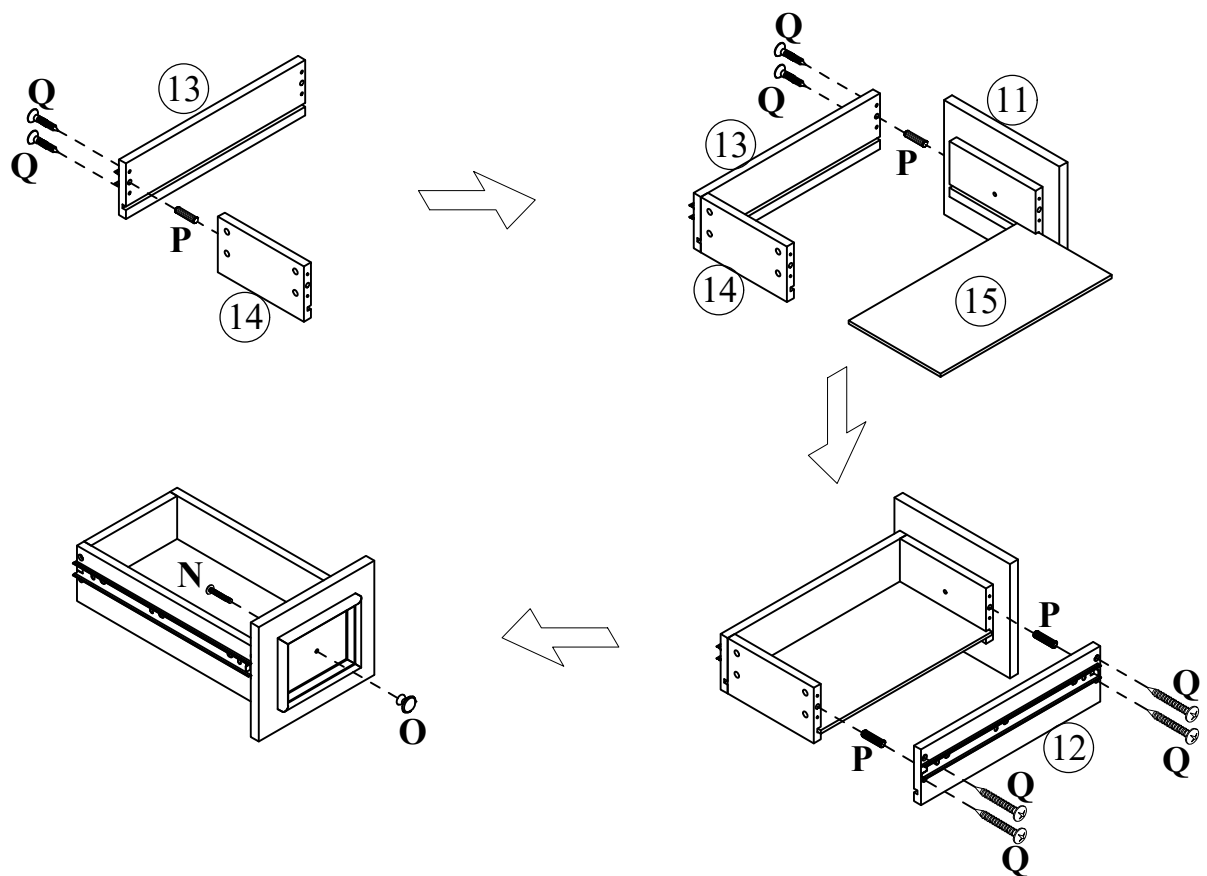
STEP: 12






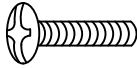
L

8PCS

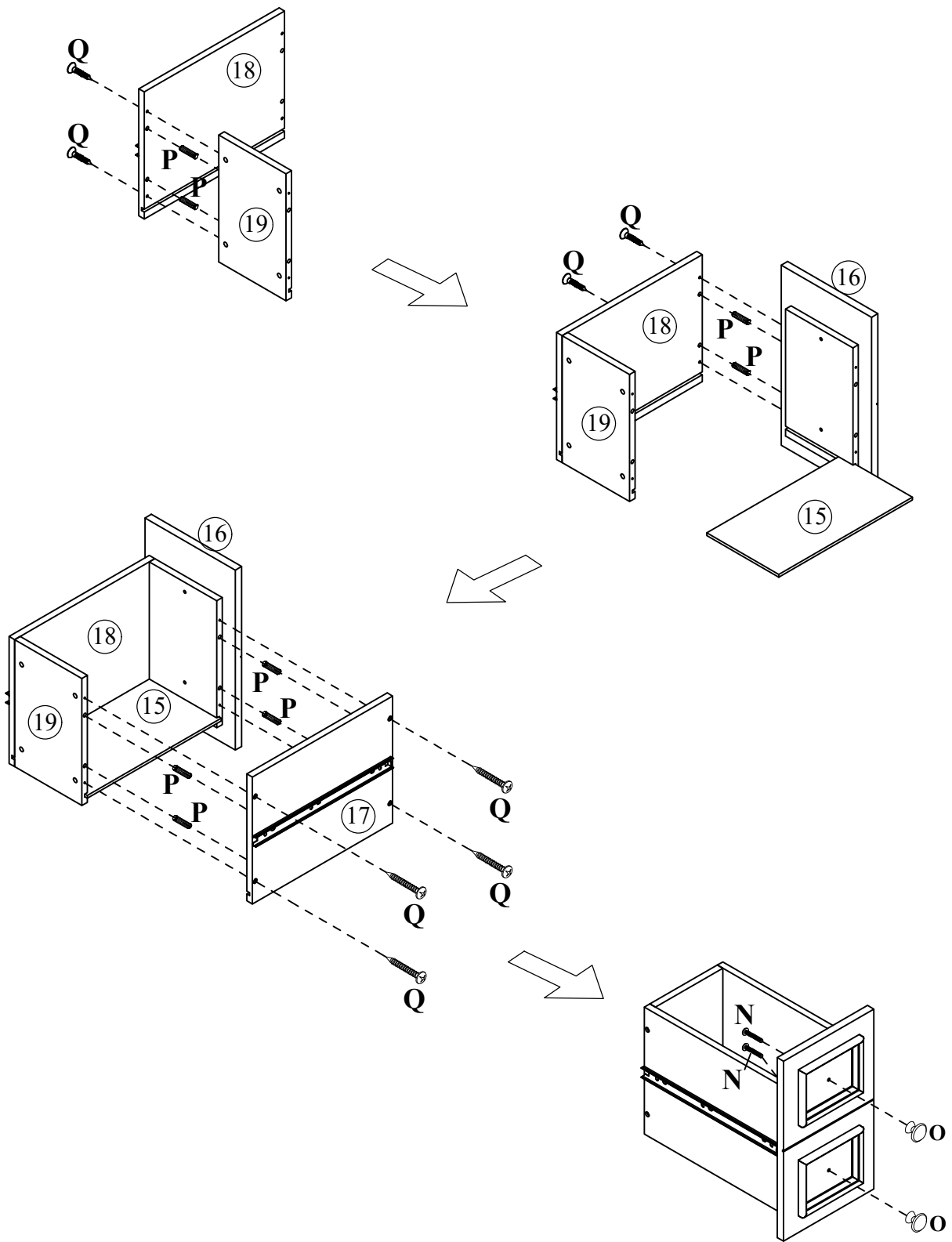
STEP: 13

Q	P	O	N
			
8PCS	4PCS	1PC	1PC

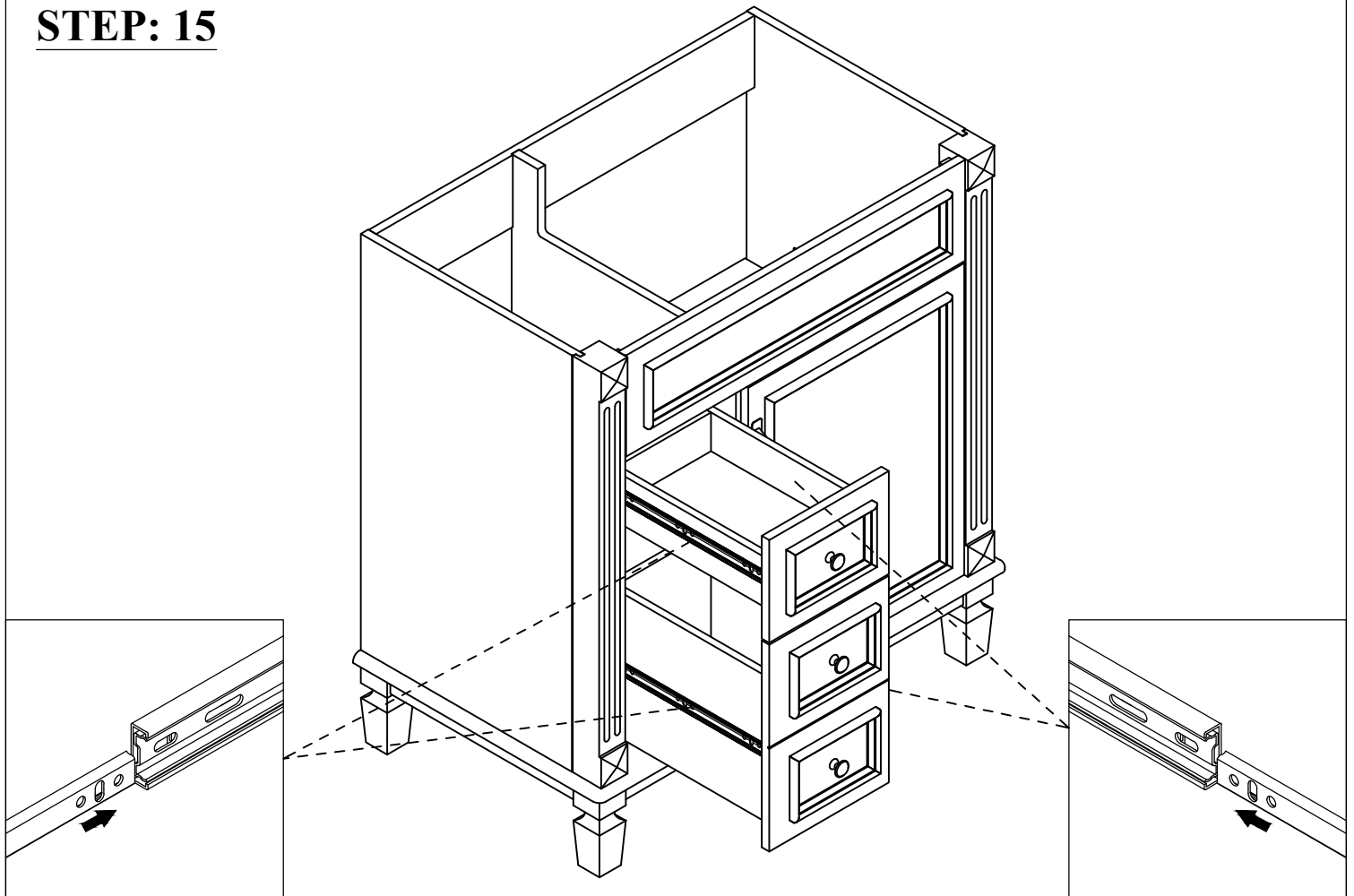


STEP: 14

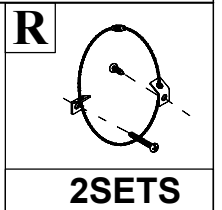
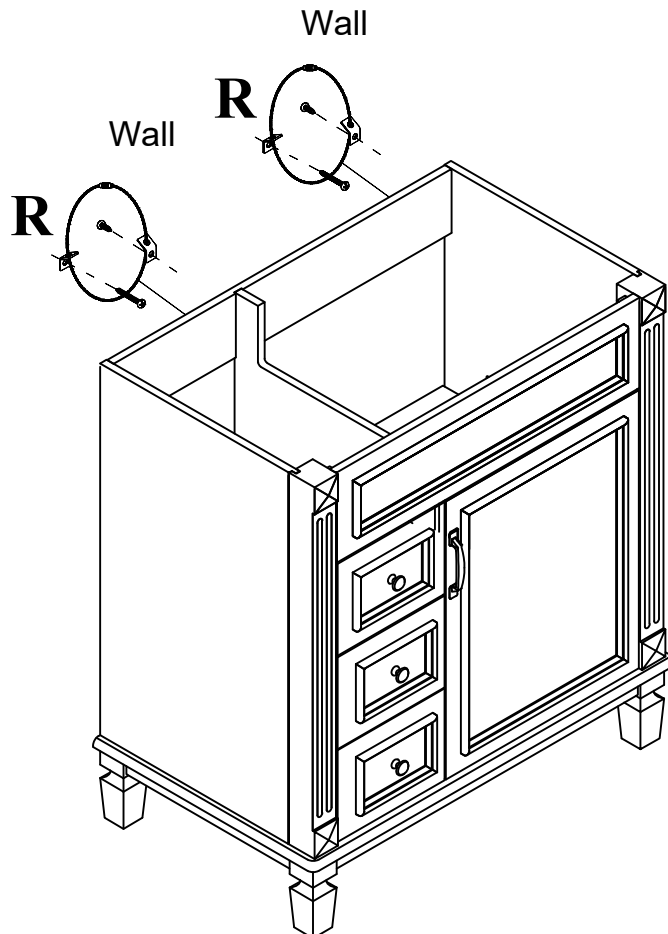
Q	P	O	N
			
8PCS	8PCS	2PCS	2PCS



STEP: 15



STEP: 16



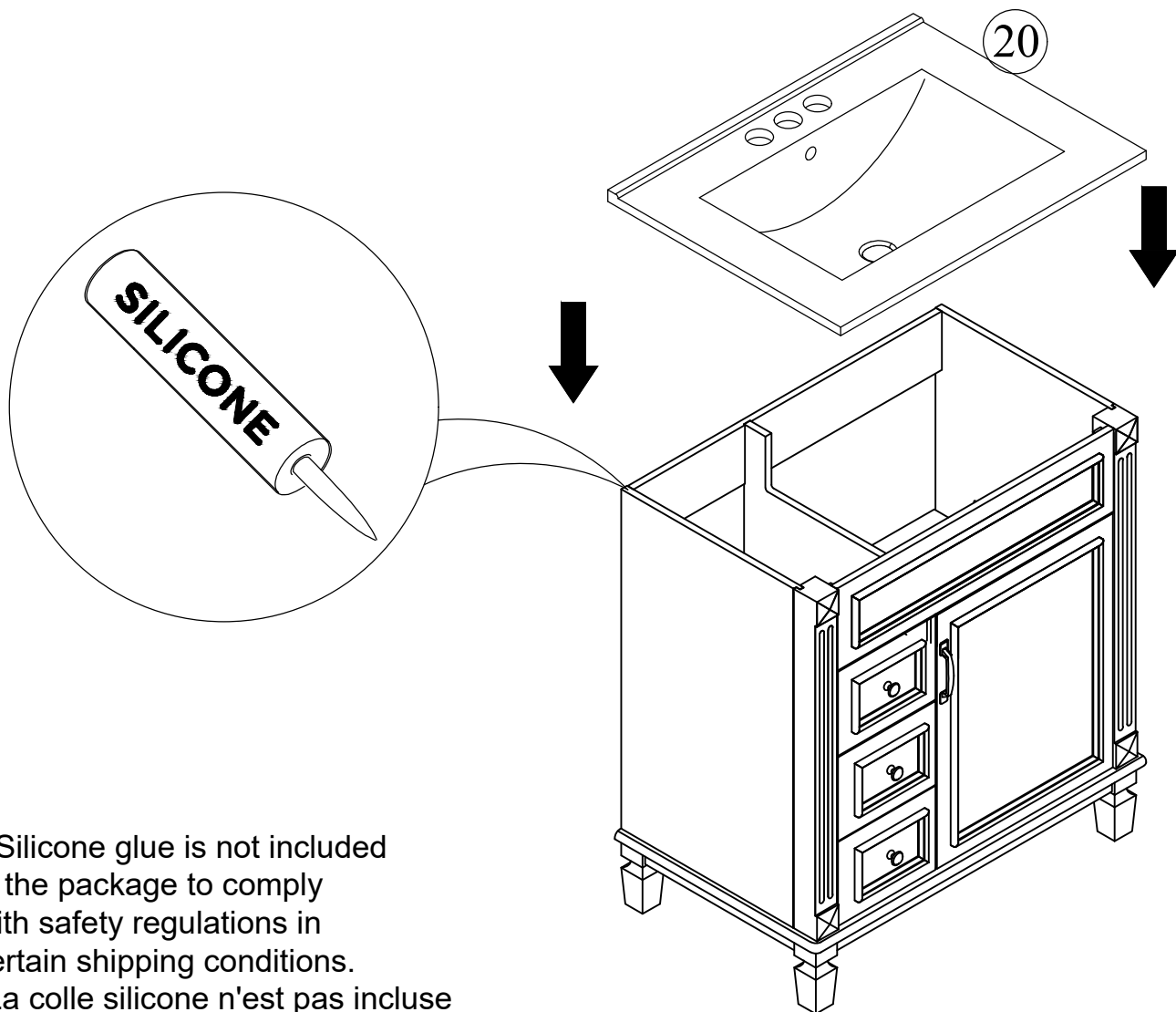
STEP: 17

Install the sink on the cabinet with glue.

Let stand for 24 hours

(Installez l'évier sur le meuble avec de la colle.

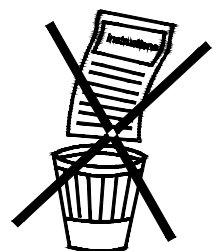
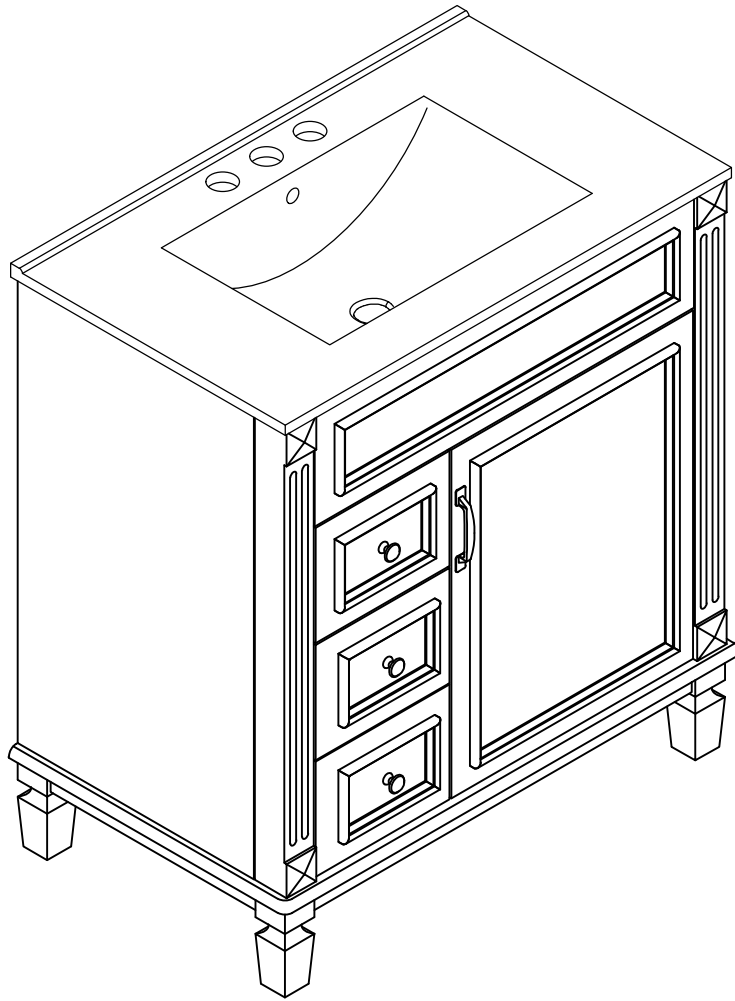
Laissez reposer 24 heures)



*Silicone glue is not included in the package to comply with safety regulations in certain shipping conditions.

*La colle silicone n'est pas incluse dans le colis afin de respecter les règles de sécurité dans certaines conditions d'expédition.

STEP: 18

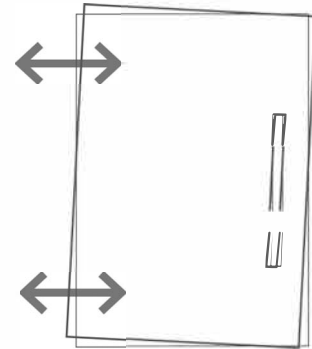


HINGE ADJUSTMENTS



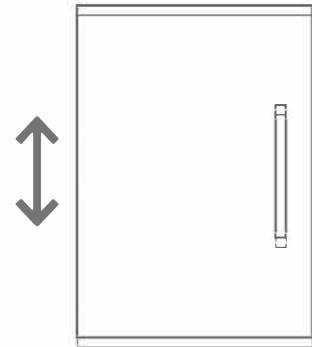
1 Sideways / Tilt adjustment

Turn the screw
clockwise to move the door further away from
the side of the cabinet
anticlockwise to move the door closer to the
side of the cabinet



2 4 Height adjustment

While supporting the weight of the door, turn the
screws
clockwise to move the door up
anticlockwise to move the door down



3 Forward and back adjustment

If the gap between the back of the door and the
cabinet is too small, and the door may not close
fully. Turn the screw
clockwise to decrease the gap between the
door and the cabinet
anticlockwise to increase the gap between the
door and the cabinet

